



US00D696980S

(12) **United States Design Patent**
Miyazawa

(10) **Patent No.:** **US D696,980 S**
(45) **Date of Patent:** **** Jan. 7, 2014**

(54) **AUTOMOBILE OR REPLICA THEREOF**

(71) Applicant: **Honda Motor Co., Ltd.**, Tokyo (JP)
(72) Inventor: **Takuya Miyazawa**, Wako (JP)
(73) Assignee: **Honda Motor Co., Ltd.**, Tokyo (JP)
(**) Term: **14 Years**
(21) Appl. No.: **29/438,576**

(22) Filed: **Nov. 30, 2012**

(30) **Foreign Application Priority Data**

May 31, 2012 (JP) 2012-012931

(51) **LOC (10) Cl.** **12-08**

(52) **U.S. Cl.**
USPC **D12/92**

(58) **Field of Classification Search**
USPC D12/86, 88, 92; D21/424, 433;
296/181.1, 181.5

See application file for complete search history.

(56) **References Cited**

U.S. PATENT DOCUMENTS

D512,000 S * 11/2005 Suzuki et al. D12/91
D573,063 S * 7/2008 Sawai D12/92
D584,191 S 1/2009 Hall et al.
D649,911 S * 12/2011 Okumoto et al. D12/92

FOREIGN PATENT DOCUMENTS

JP 1364562 S 7/2009
JP D1435318 3/2012

OTHER PUBLICATIONS

Kia on p. 1 of 3. Oct. 14, 2012 [Retrieved on Jun. 4, 2013]. Retrieved from the Internet <URL: www://trade-arabia.com/news/MTR_223775.html>.*
2008 Honda Accord on p. 5 of 23. [Retrieved on Jun. 4, 2013]. Retrieved from the internet <http://en.wikipedia.org/wiki/Honda.>.*
Official Action issued on Oct. 20, 2012 in the counterpart Japanese application No. 2012-012931. No translation.

* cited by examiner

Primary Examiner — Susan M Lee
Assistant Examiner — Linda Brooks

(74) *Attorney, Agent, or Firm* — Plumsea Law Group, LLC

(57) **CLAIM**

The ornamental design for an automobile or replica thereof, as shown and described.

DESCRIPTION

FIG. 1 is a front view of the automobile or replica thereof showing my new design;
FIG. 2 is a rear view of the automobile or replica thereof;
FIG. 3 is a plan view of the automobile or replica thereof;
FIG. 4 is a right side view of the automobile or replica thereof;
FIG. 5 is a left side view of the automobile or replica thereof;
FIG. 6 is a front perspective view of the automobile or replica thereof as seen from the right side; and,
FIG. 7 is a rear perspective view of the automobile or replica thereof as seen from the right side.
The broken lines illustrate unclaimed structure.

1 Claim, 7 Drawing Sheets

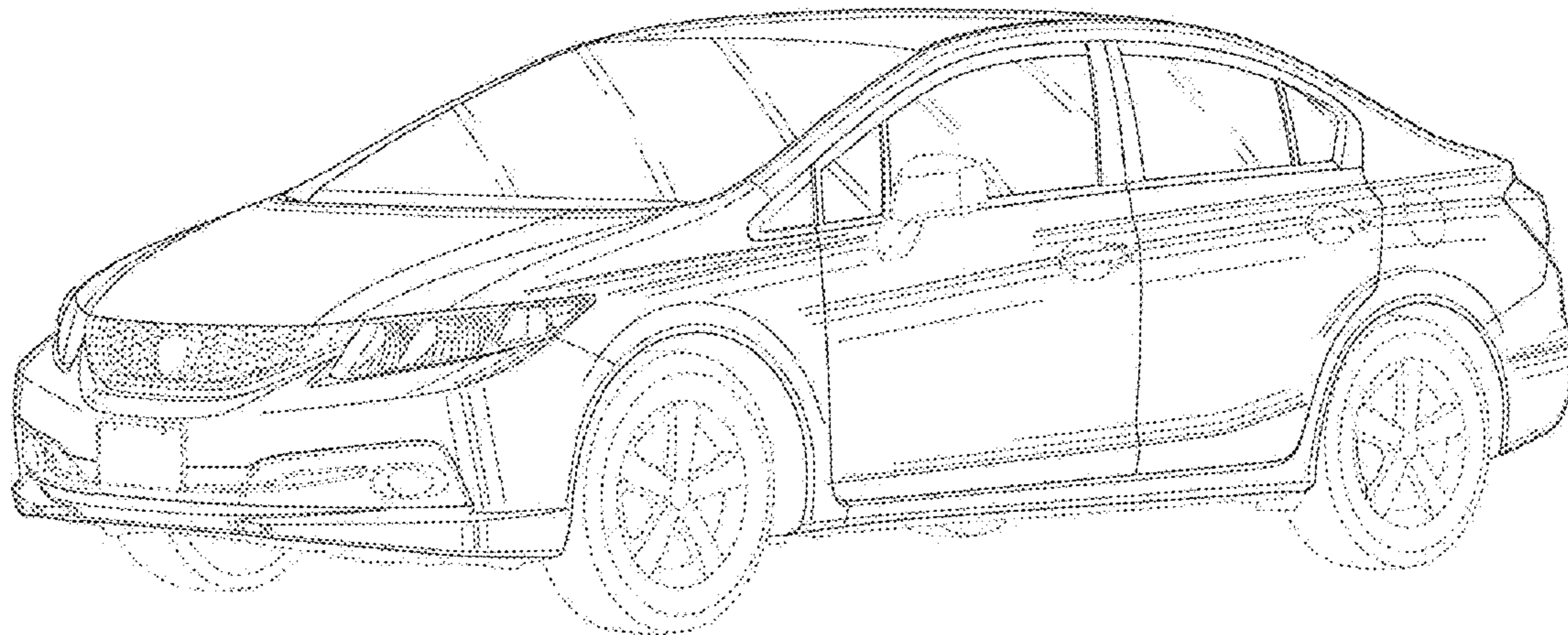


FIG.1

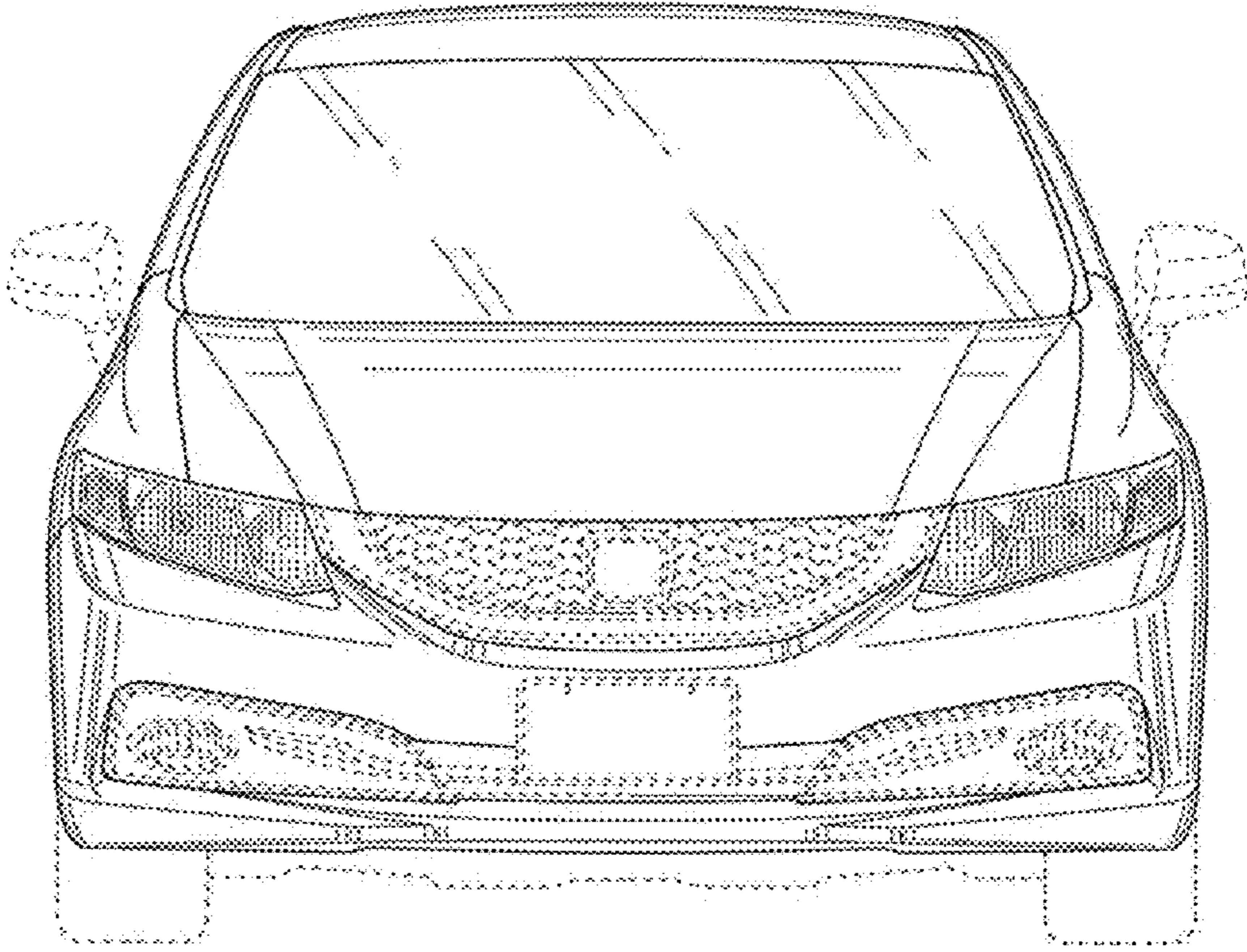


FIG.2

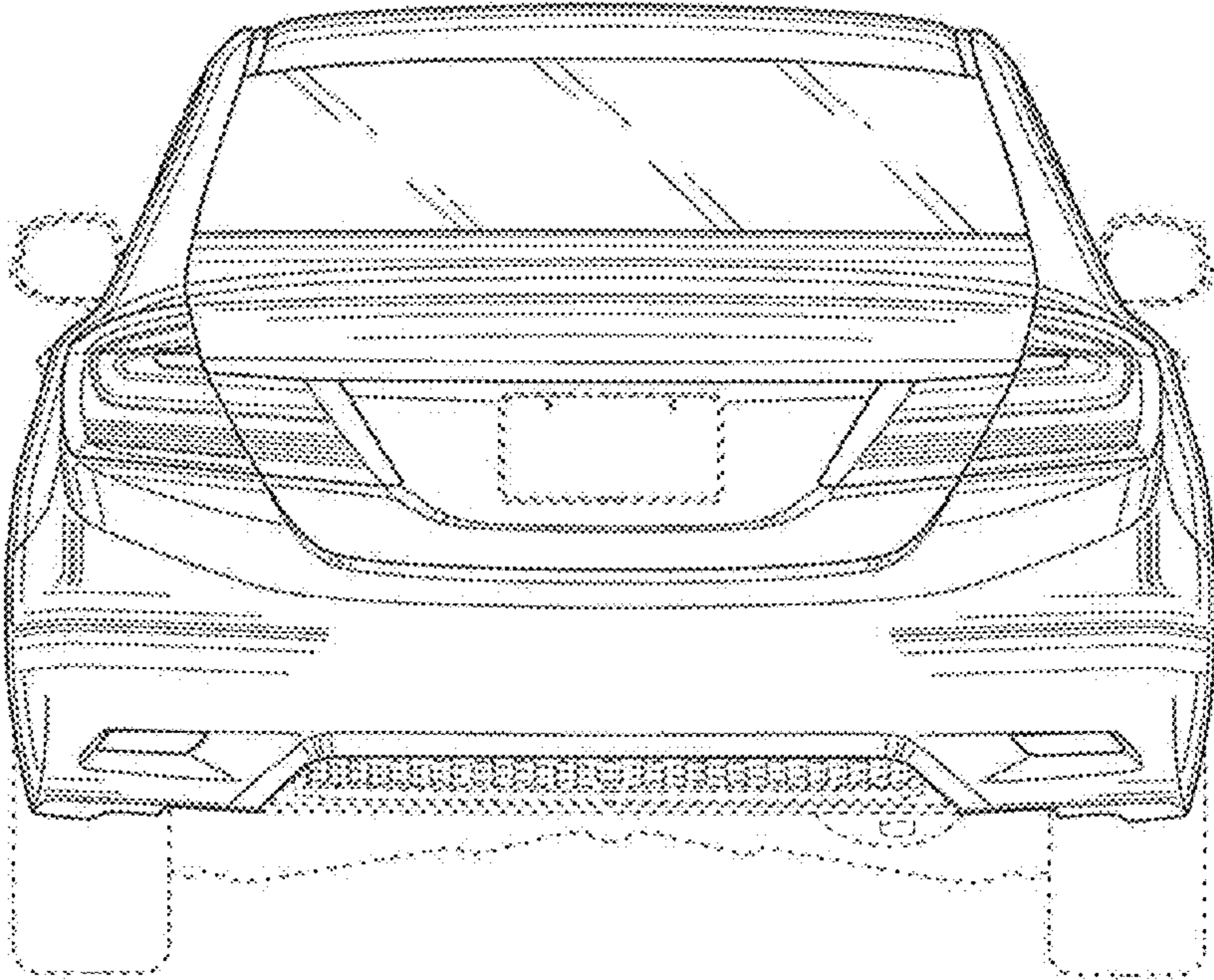


FIG.3

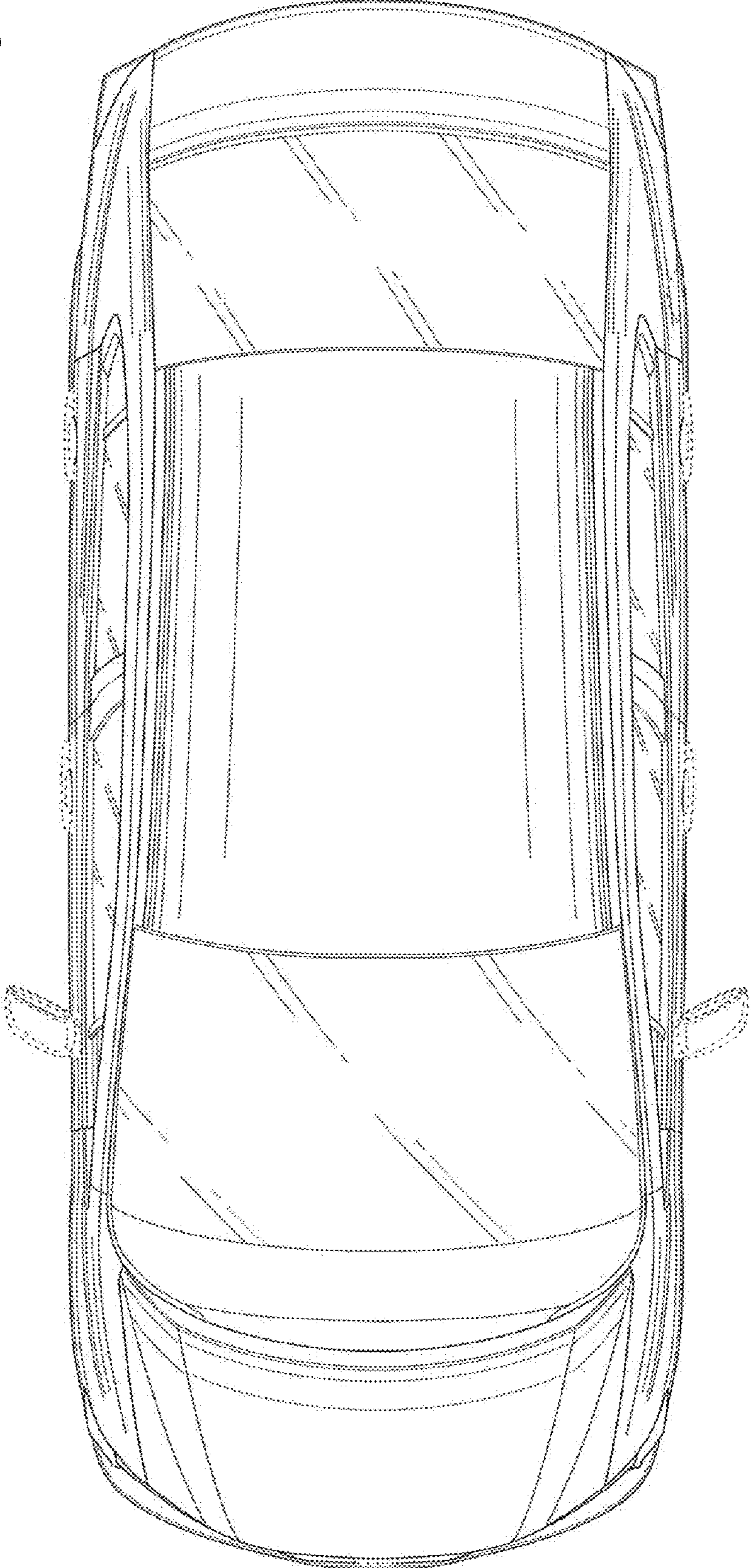


FIG.4

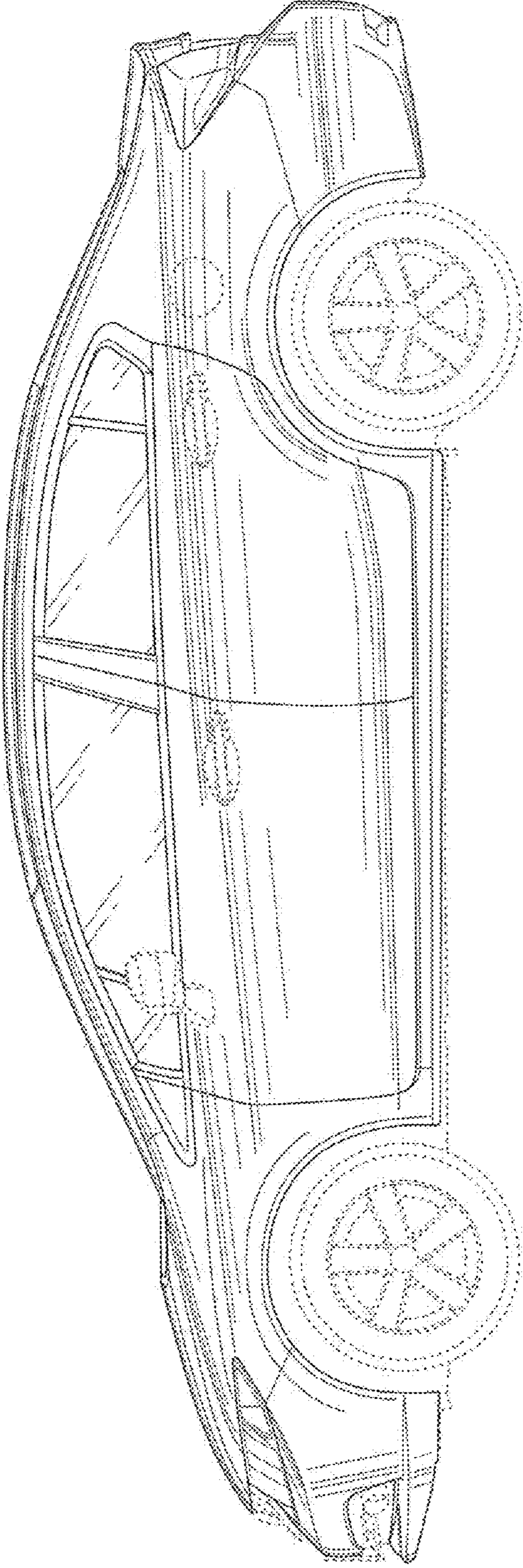


FIG.5

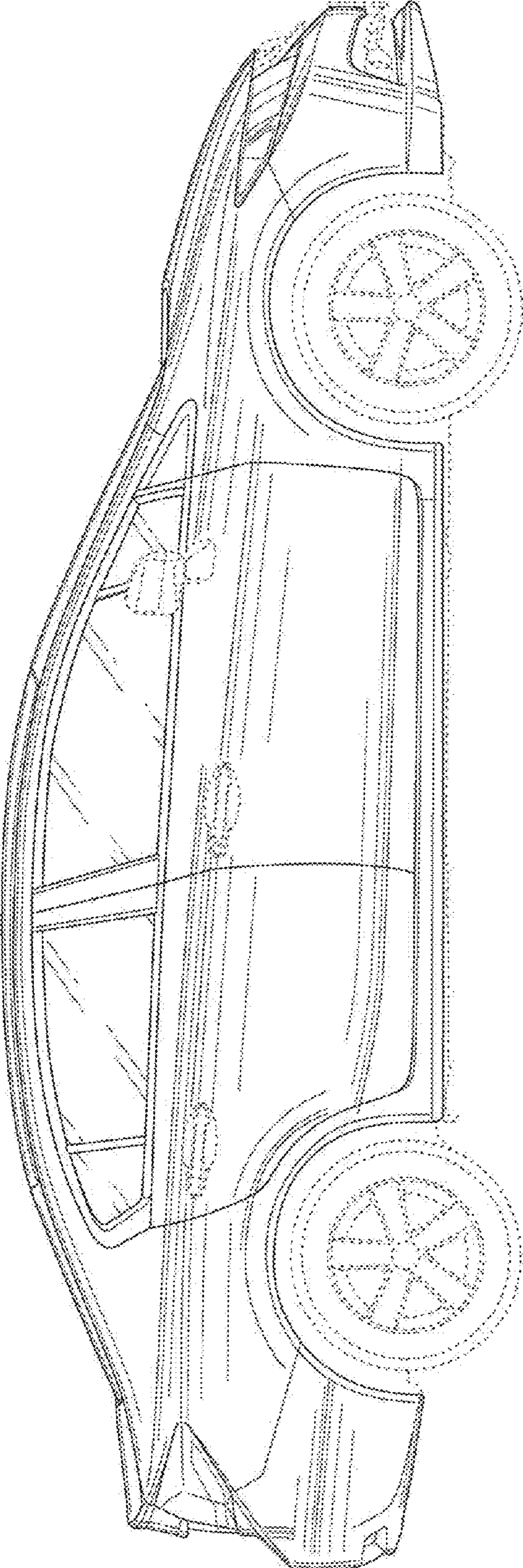


FIG.6

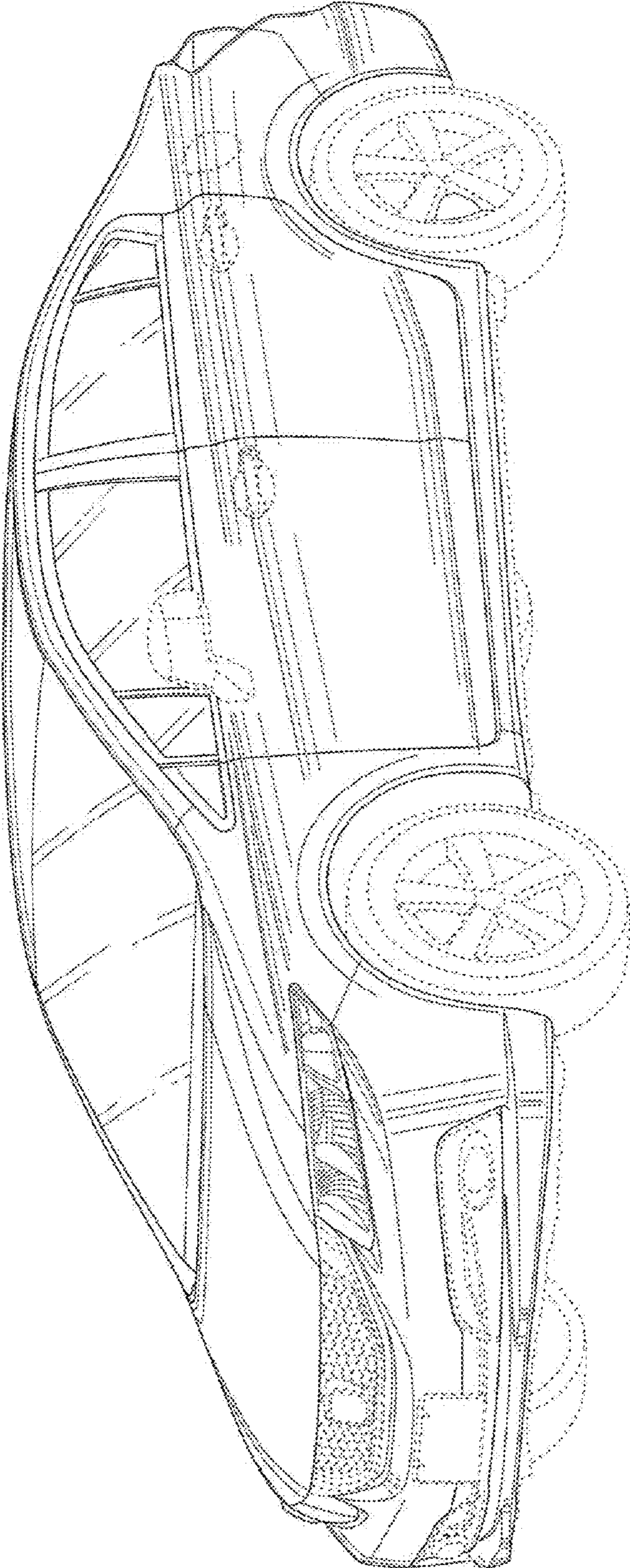


FIG. 7

