



US00D696976S

(12) **United States Design Patent**
Paquin et al.

(10) **Patent No.:** **US D696,976 S**
(45) **Date of Patent:** **** Jan. 7, 2014**

(54) **PLANTER COVER**

(71) Applicants: **Rachel Paquin**, Warwick, RI (US);
Lizete C. Soares-Sampaio, North
Providence, RI (US)

(72) Inventors: **Rachel Paquin**, Warwick, RI (US);
Lizete C. Soares-Sampaio, North
Providence, RI (US)

(**) Term: **14 Years**

(21) Appl. No.: **29/446,734**

(22) Filed: **Feb. 27, 2013**

(51) **LOC (10) Cl.** **11-02**

(52) **U.S. Cl.**
USPC **D11/164; D11/152**

(58) **Field of Classification Search**
USPC D6/403–405, 556–558; D8/1;
D11/143–156, 164; D19/77, 80, 81,
D19/84; D25/100; D26/9–11, 16, 19;
D34/1, 2, 4–6; D99/5, 19; 47/17, 32.4,
47/32.5, 32.7, 33, 39, 41.01, 41.1,
47/41.11–41.15, 44–47, 65, 65.5, 65.9,
47/66.1, 66.2, 66.6, 66.7, 67–71

See application file for complete search history.

(56) **References Cited**

U.S. PATENT DOCUMENTS

D125,058	S	*	2/1941	Ratner	D11/152
D331,549	S	*	12/1992	Embree	D11/153
5,240,752	A	*	8/1993	Baghsarian	47/41.01
D360,850	S	*	8/1995	Grosfillex	D11/152
D395,411	S	*	6/1998	Grebert	D11/153
D422,720	S	*	4/2000	Hardy	D26/11
D536,277	S	*	2/2007	Cabeza	D11/152
D566,363	S	*	4/2008	Lown et al.	D34/1
D569,190	S	*	5/2008	Karam	D7/532
D606,454	S	*	12/2009	White	D11/153
D653,584	S	*	2/2012	Harshman	D11/154

* cited by examiner

Primary Examiner — Garth Rademaker

(74) *Attorney, Agent, or Firm* — Salter & Michaelson

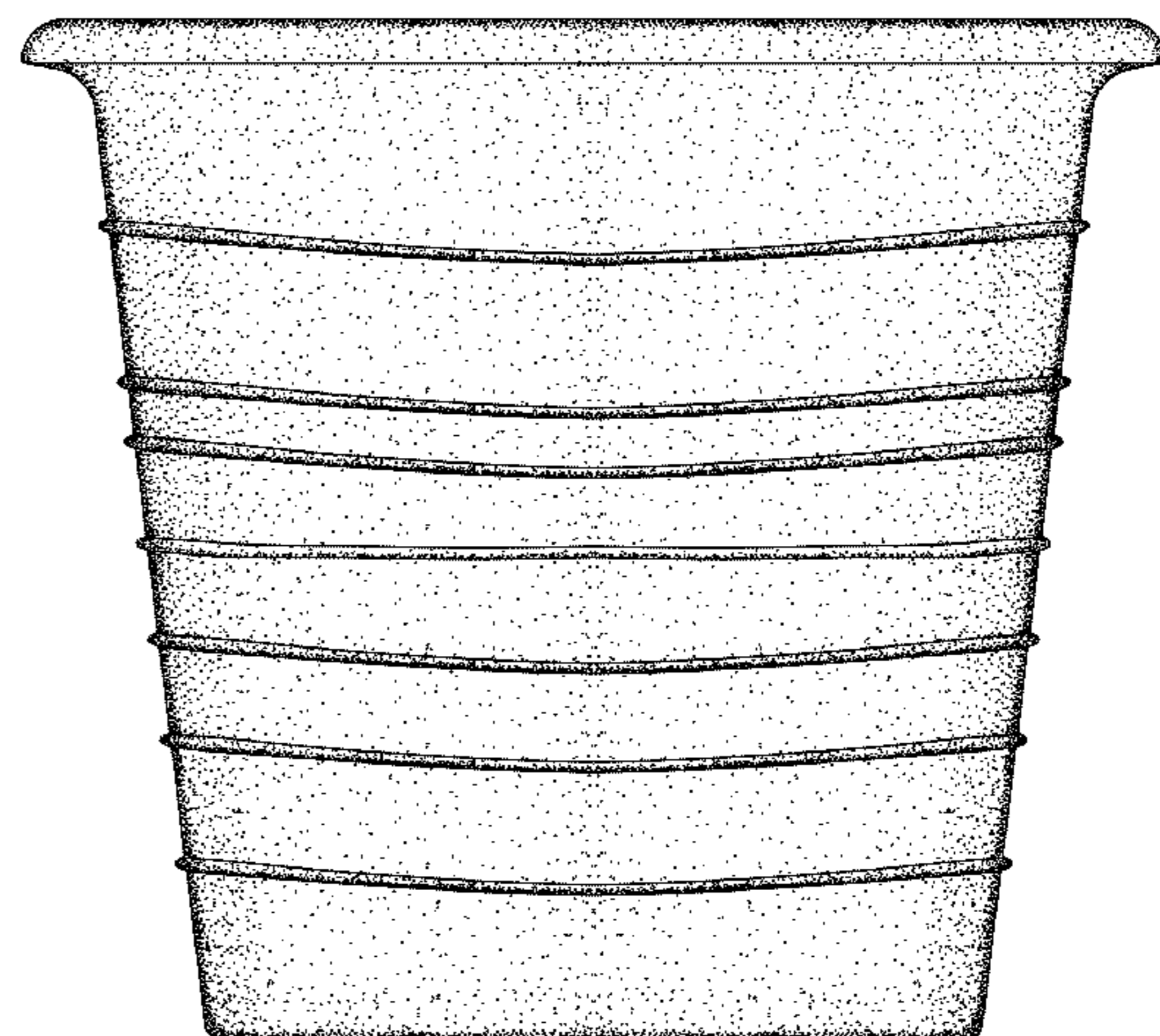
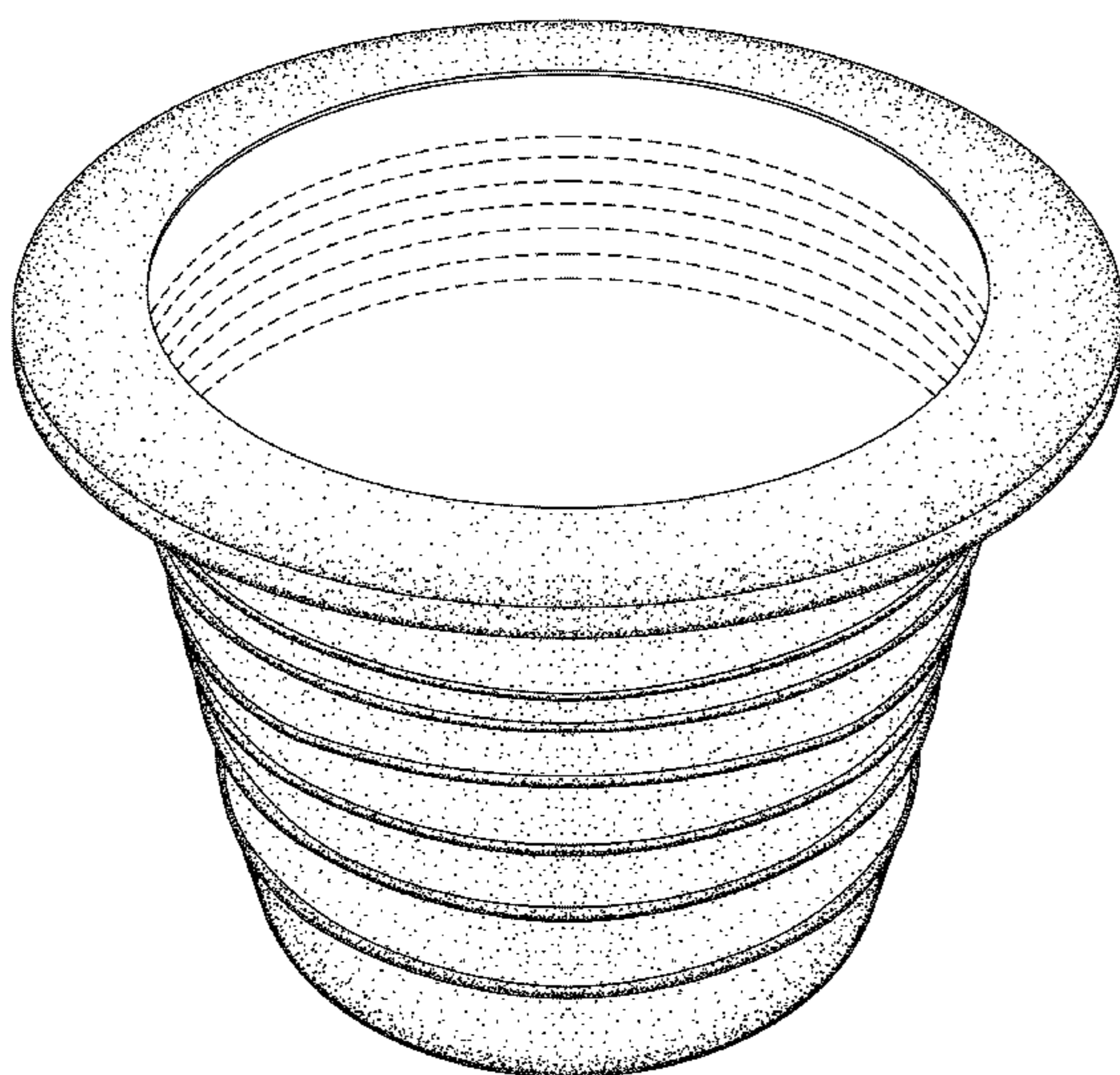
(57) **CLAIM**

The ornamental design for a planter cover, as shown and described.

DESCRIPTION

FIG. 1 is a perspective view of a planter cover;
FIG. 2 is another perspective view thereof;
FIG. 3 is a front elevational view thereof, the rear elevational view being a mirror image thereof;
FIG. 4 is a side elevational view thereof, the opposite side elevational view being a mirror image thereof
FIG. 5 is a top plan view thereof; and,
FIG. 6 is a bottom plan view thereof.
The broken lines depict environmental subject matter only and form no part of the claimed design.

1 Claim, 6 Drawing Sheets



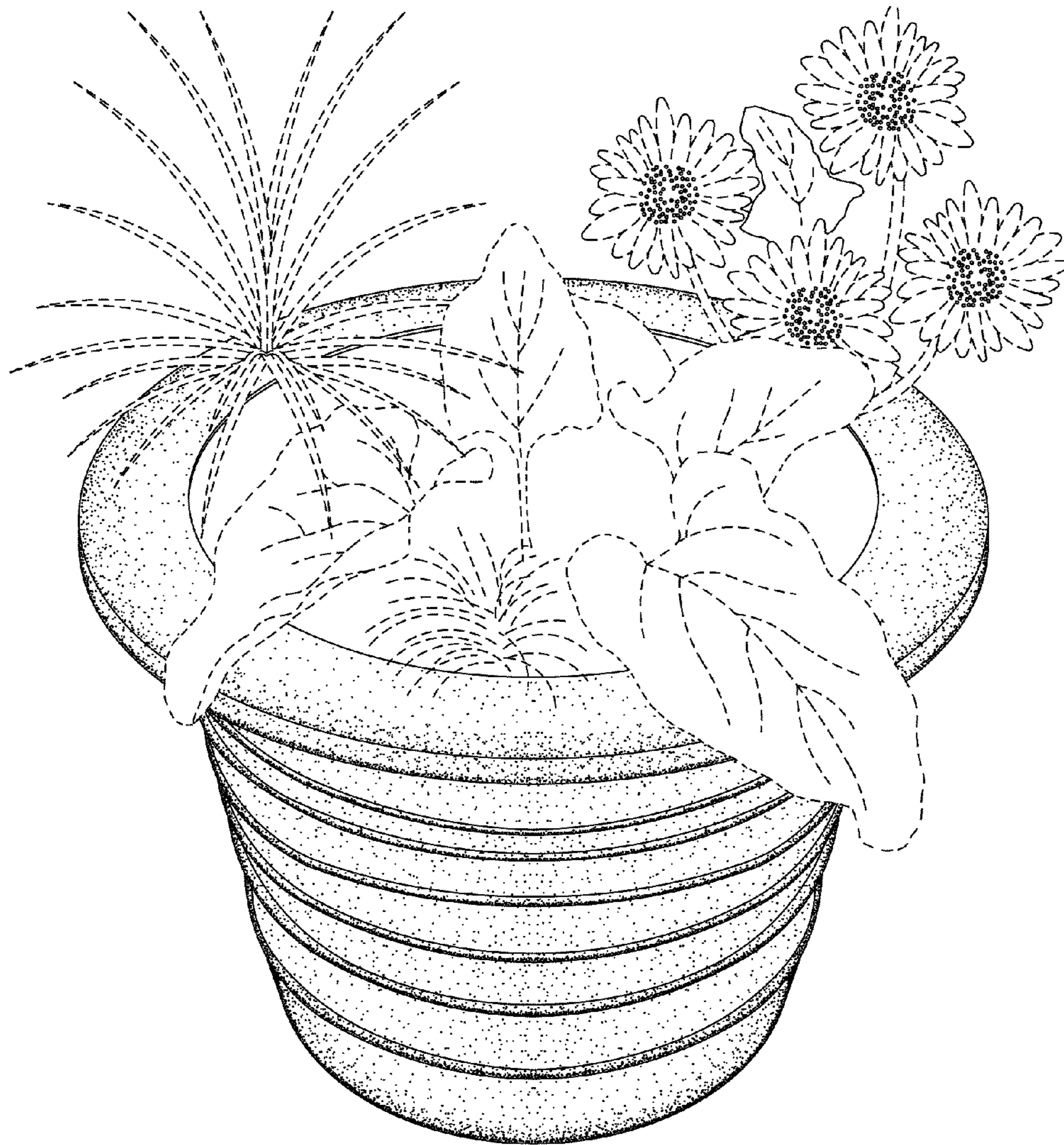


FIG. 1

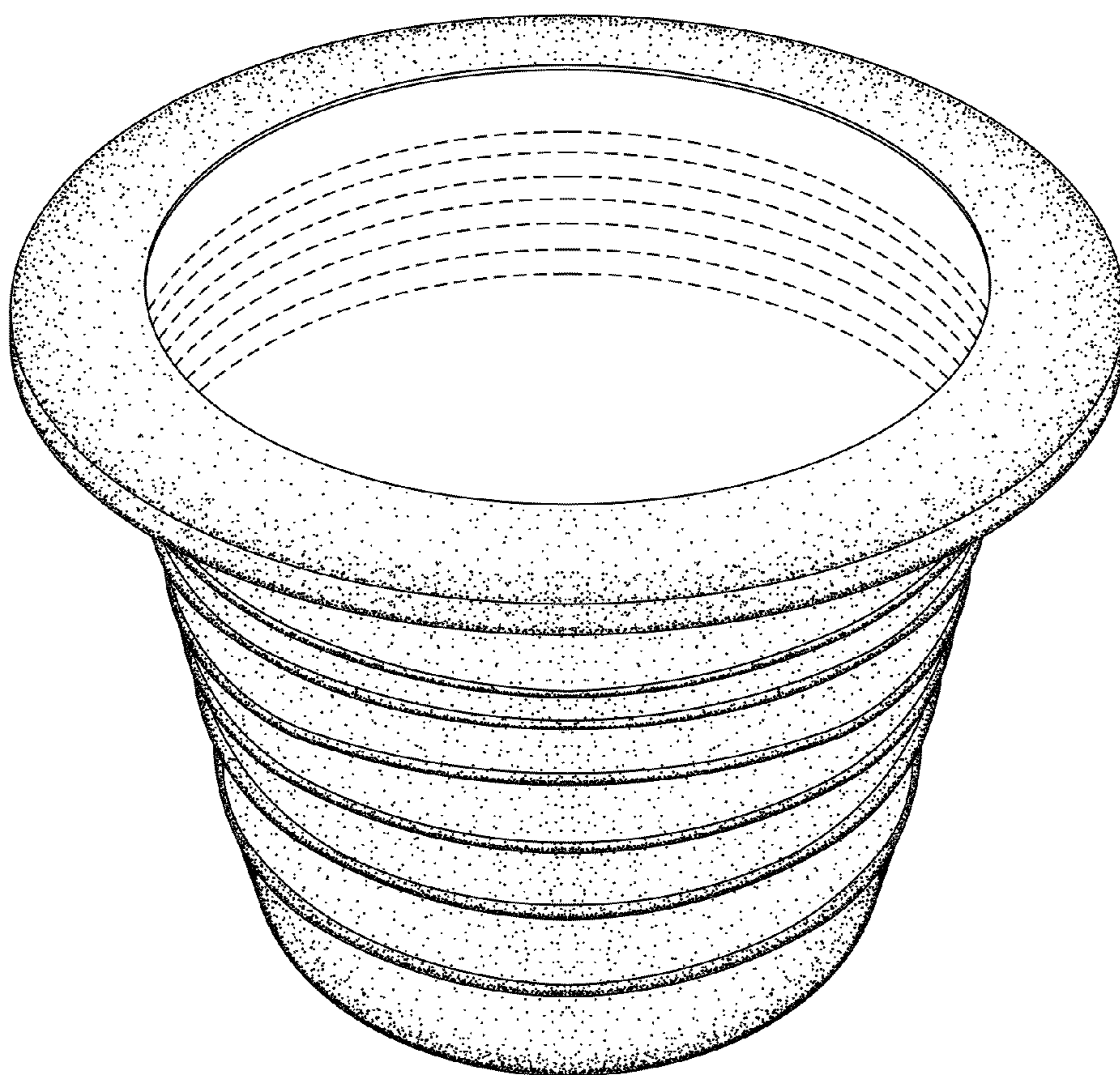


FIG. 2

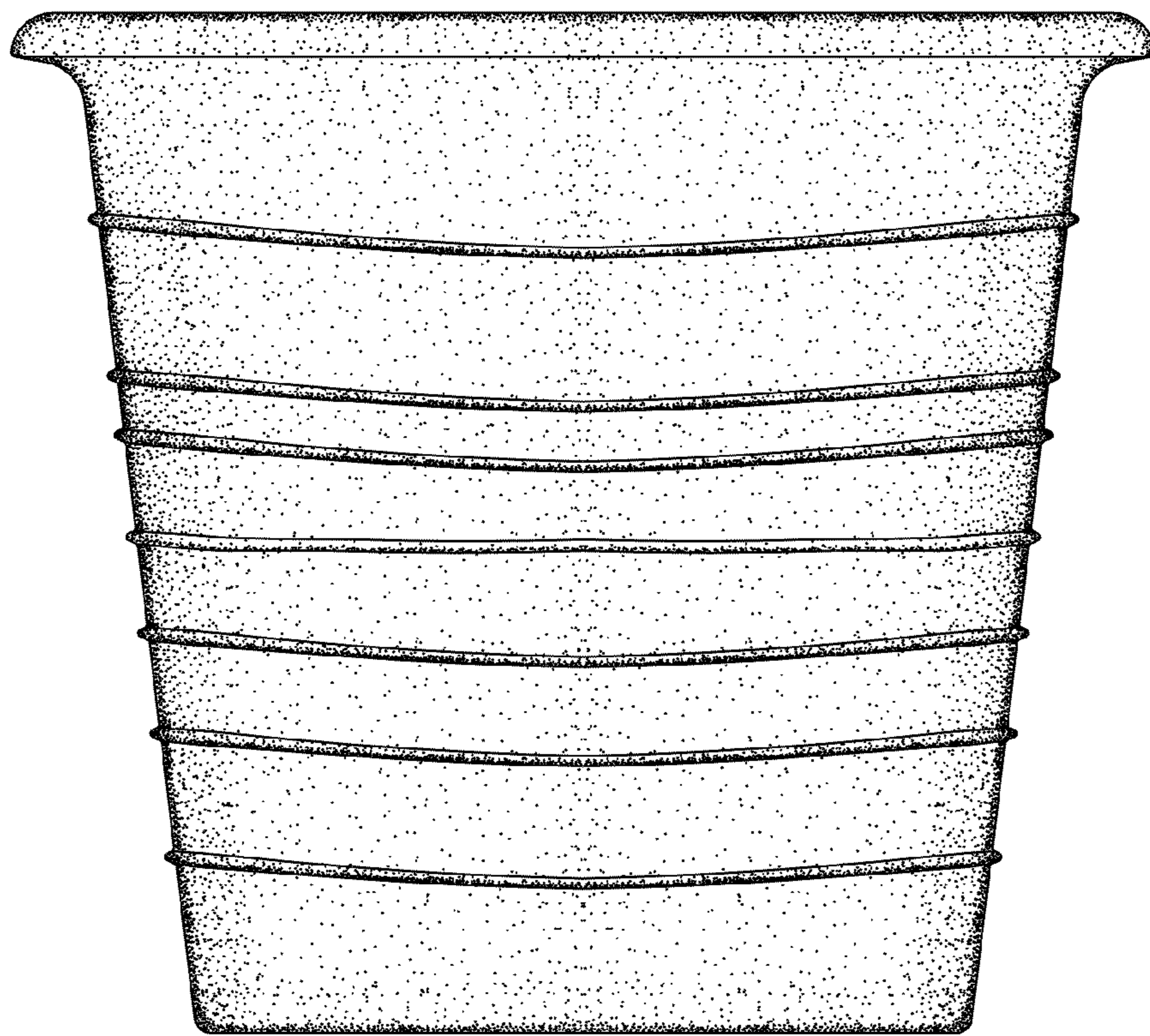


FIG. 3

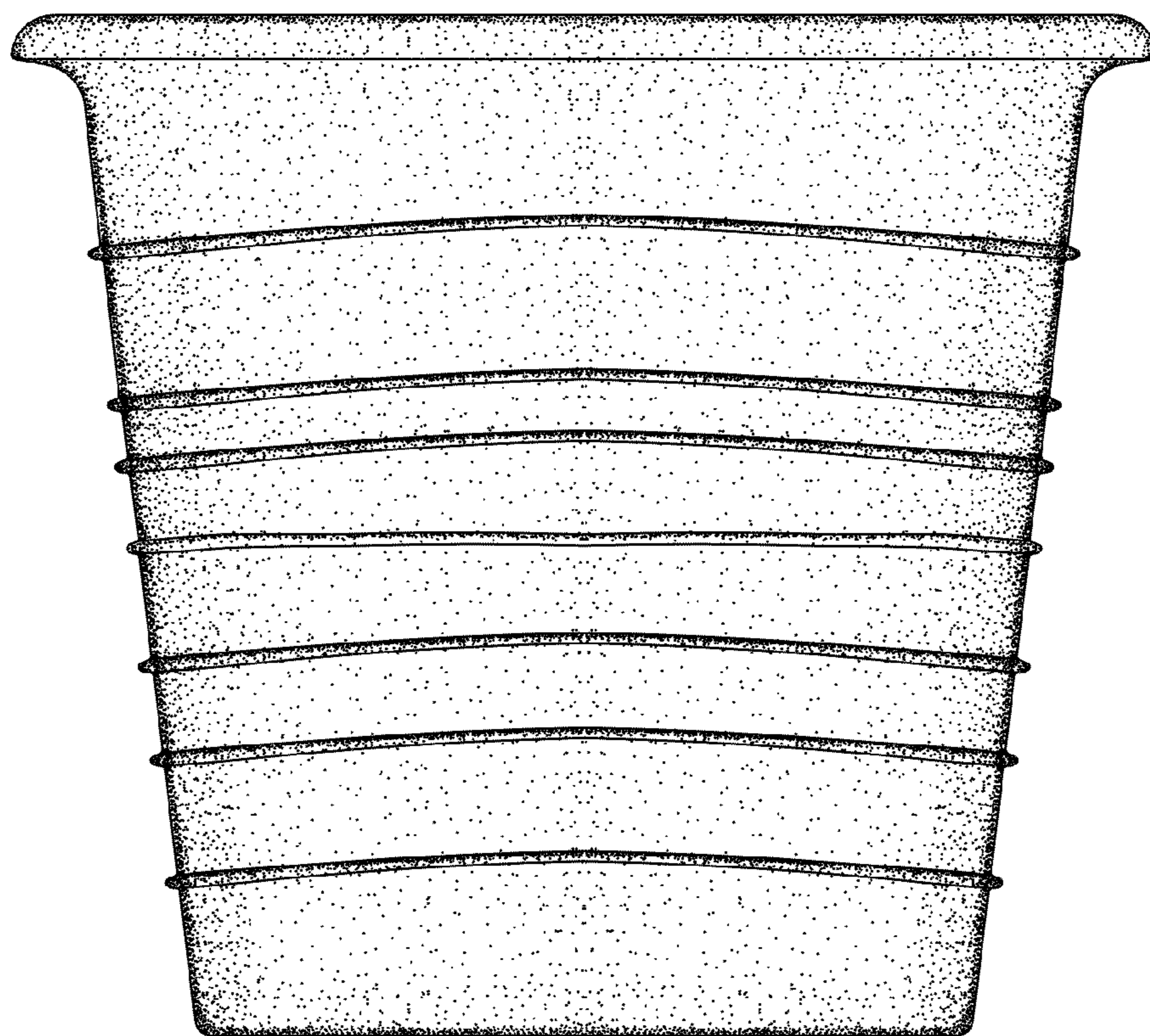


FIG. 4

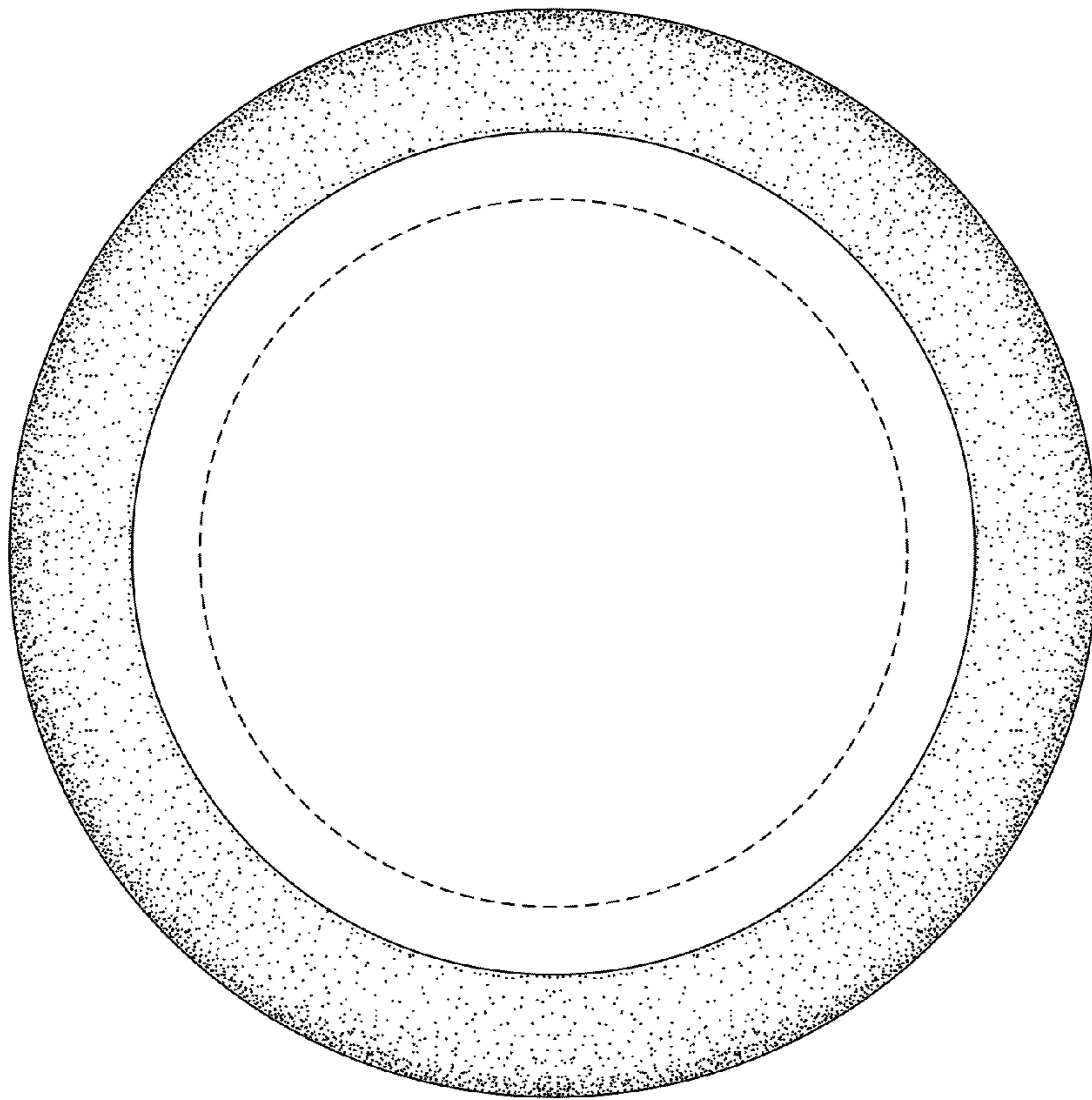


FIG. 5

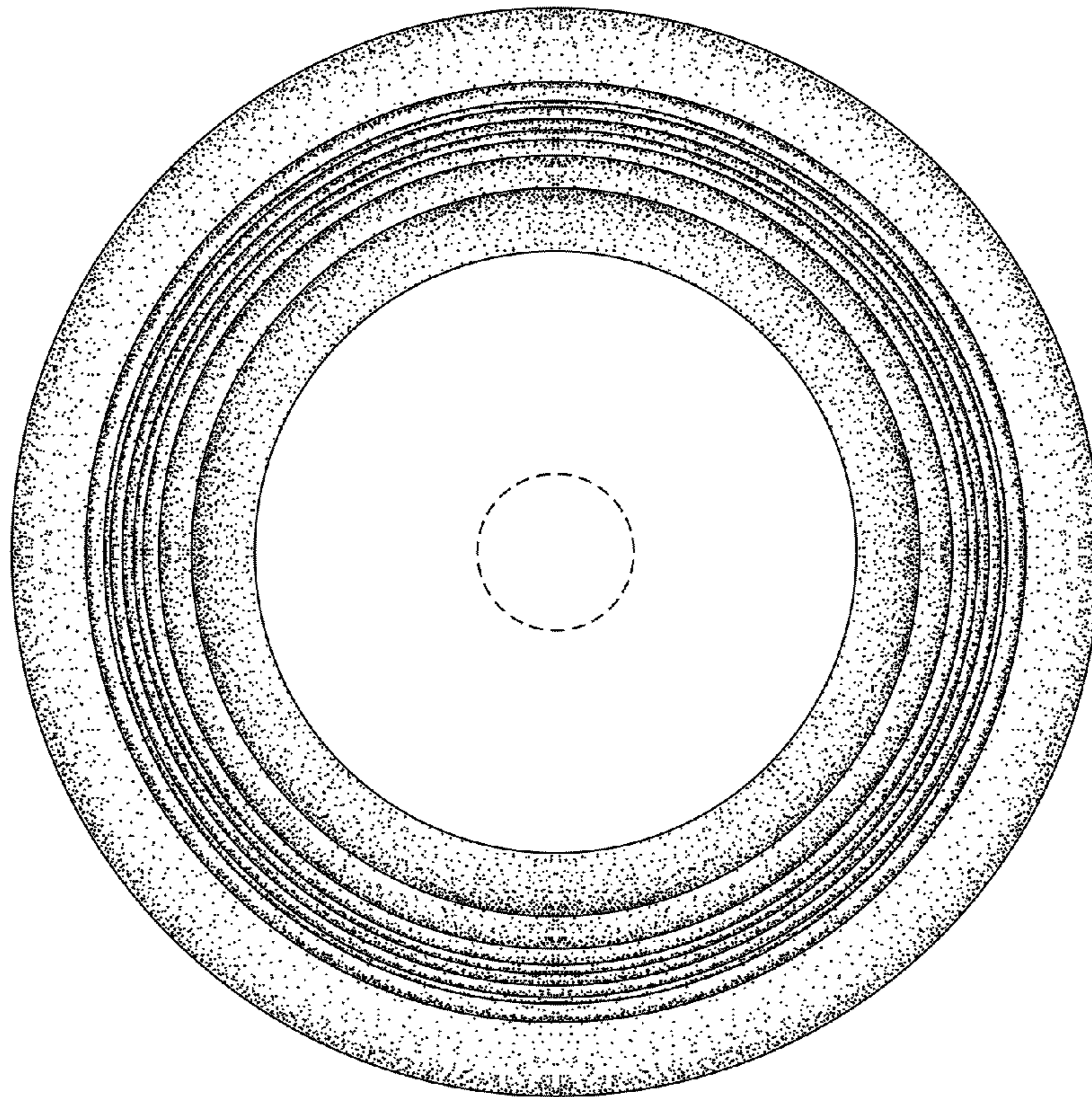


FIG. 6