



US00D696972S

(12) **United States Design Patent**
Rainer et al.

(10) **Patent No.:** **US D696,972 S**
(45) **Date of Patent:** **** Jan. 7, 2014**

(54) **APPARATUS WITH INTEGRATED SENSOR FOR THE DETERMINATION OF FLUID PROPERTIES**

(71) Applicants: **Michael D. Rainer**, Burton, OH (US);
Peter J. Gillespie, Chagrin Falls, OH (US)

(72) Inventors: **Michael D. Rainer**, Burton, OH (US);
Peter J. Gillespie, Chagrin Falls, OH (US)

(73) Assignee: **The Mercury Iron and Steel Co.**,
Cleveland, OH (US)

(**) Term: **14 Years**

(21) Appl. No.: **29/458,331**

(22) Filed: **Jun. 18, 2013**

Related U.S. Application Data

(62) Division of application No. 29/402,424, filed on Sep. 23, 2011, now Pat. No. Des. 686,929.

(51) **LOC (10) Cl.** **10-04**

(52) **U.S. Cl.**
USPC **D10/96; D10/81**

(58) **Field of Classification Search**
USPC D10/81, 96; 73/204.11, 861; 356/128
See application file for complete search history.

(56) **References Cited**

U.S. PATENT DOCUMENTS

D510,880 S	10/2005	Shapiro	
D577,301 S	9/2008	Johnson et al.	
8,284,389 B2 *	10/2012	Forrer et al.	356/128
2011/0107845 A1	5/2011	Gabriel et al.	

OTHER PUBLICATIONS

U.S. Appl. No. 13/107,675; Titled: Methods and Apparatuses for Measuring Properties of a Substance in a Process Stream; filed May 13, 2011; Inventors: Michael D. Rainer et al., in its entirety.
Design U.S. Appl. No. 29/414,234, filed: Feb. 27, 2012; Titled: Apparatus with Integrated Sensor for the Determination of Fluid Properties; Inventors: Michael D. Rainer et al., in its entirety.

* cited by examiner

Primary Examiner — Antoine D Davis

(74) *Attorney, Agent, or Firm* — Ulmer & Berne LLP

(57) **CLAIM**

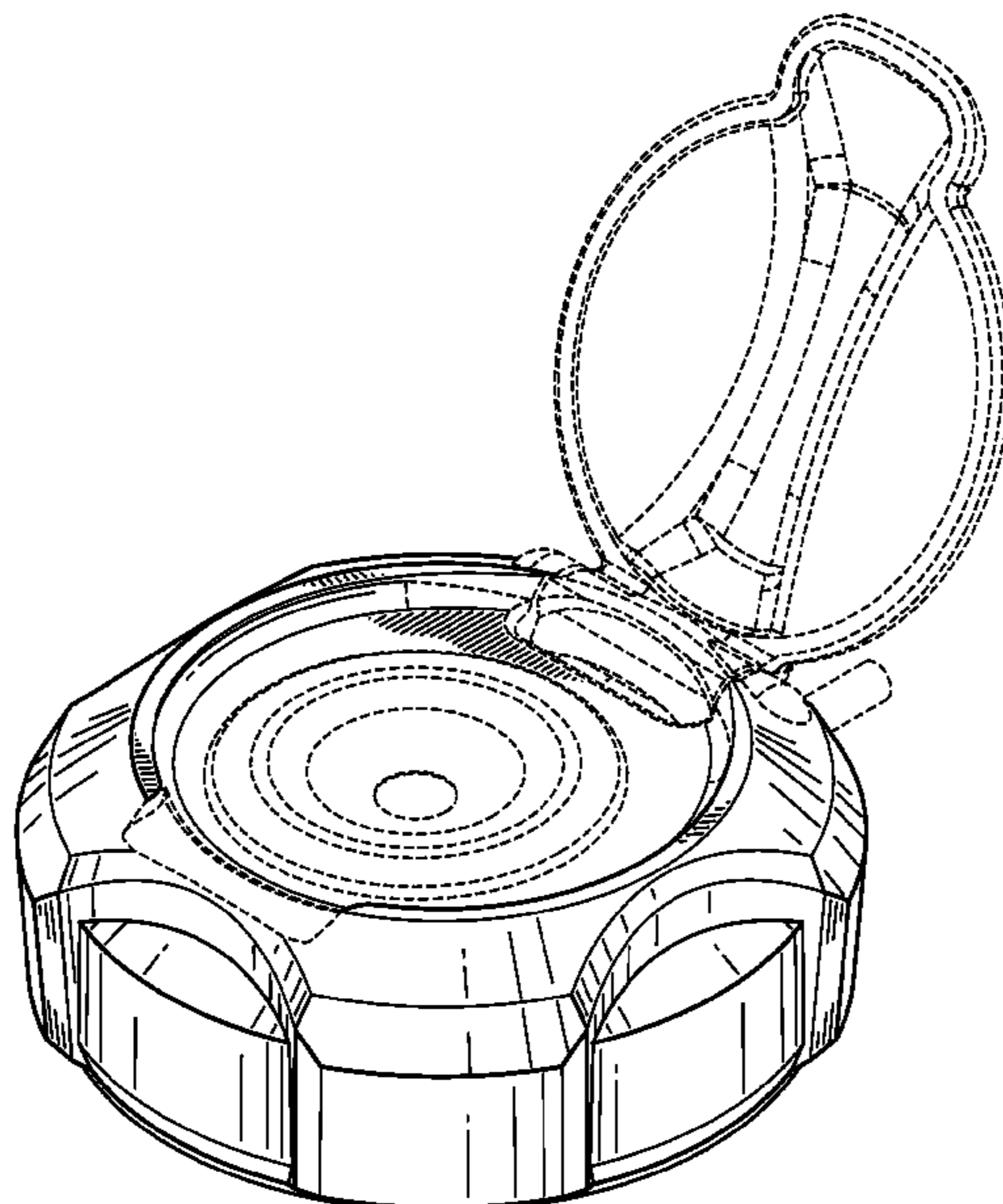
The ornamental design for an apparatus with integrated sensor for the determination of fluid properties, as shown and described.

DESCRIPTION

FIG. 1 is an isometric view of the apparatus with integrated sensor for the determination of fluid properties;
FIG. 2 is a top plan view of the apparatus with integrated sensor for the determination of fluid properties of FIG. 1;
FIG. 3 is a front elevation view of the apparatus with integrated sensor for the determination of fluid properties of FIG. 1;
FIG. 4 is a rear elevation view of the apparatus with integrated sensor for the determination of fluid properties of FIG. 1;
FIG. 5 is a left side elevation view of the apparatus with integrated sensor for the determination of fluid properties of FIG. 1; and,
FIG. 6 is a right side elevation view of the apparatus with integrated sensor for the determination of fluid properties of FIG. 1.

The phantom lines and areas shown in the figures are for illustrative purposes only and form no part of the claimed design.

1 Claim, 4 Drawing Sheets



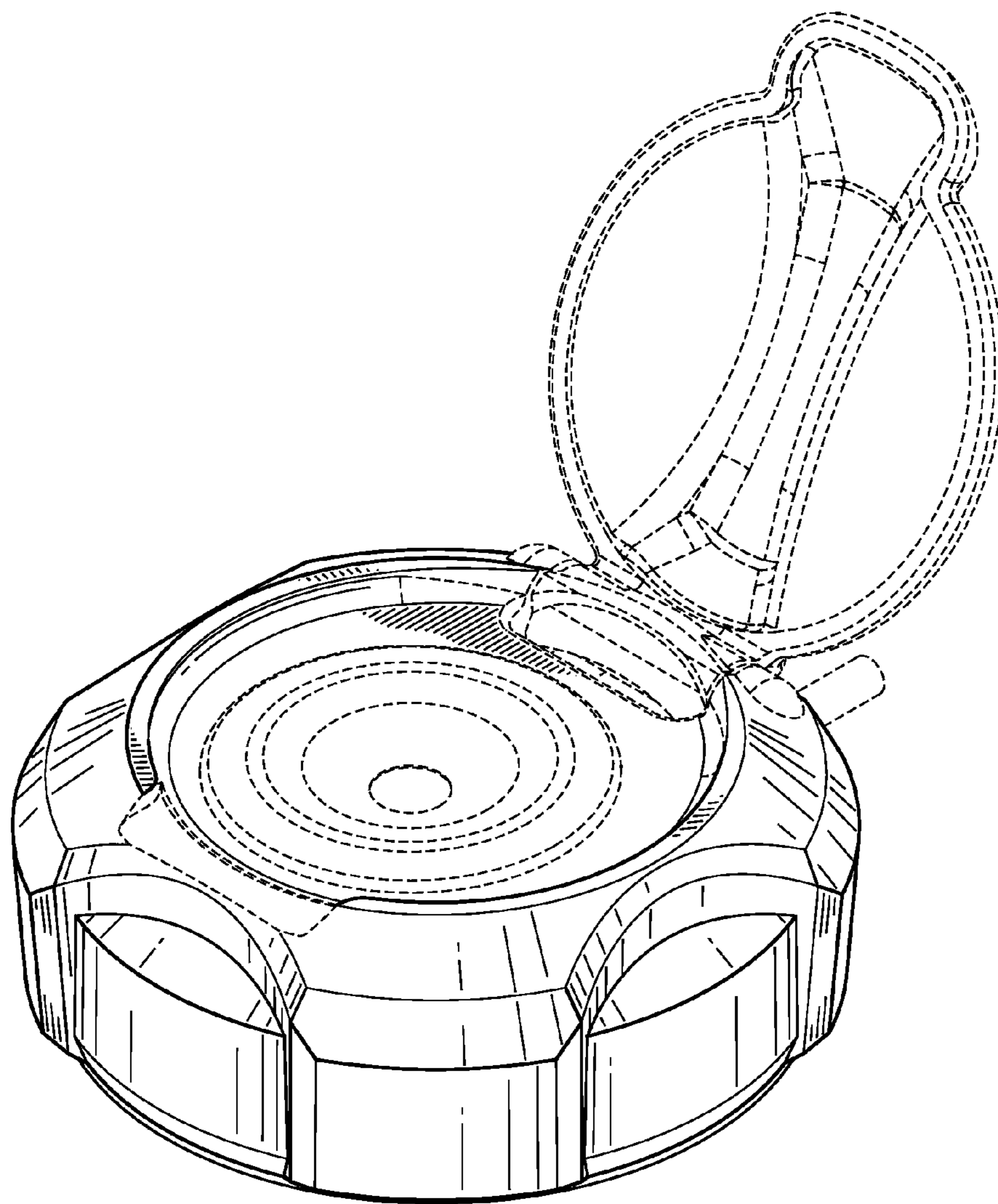


FIG. 1

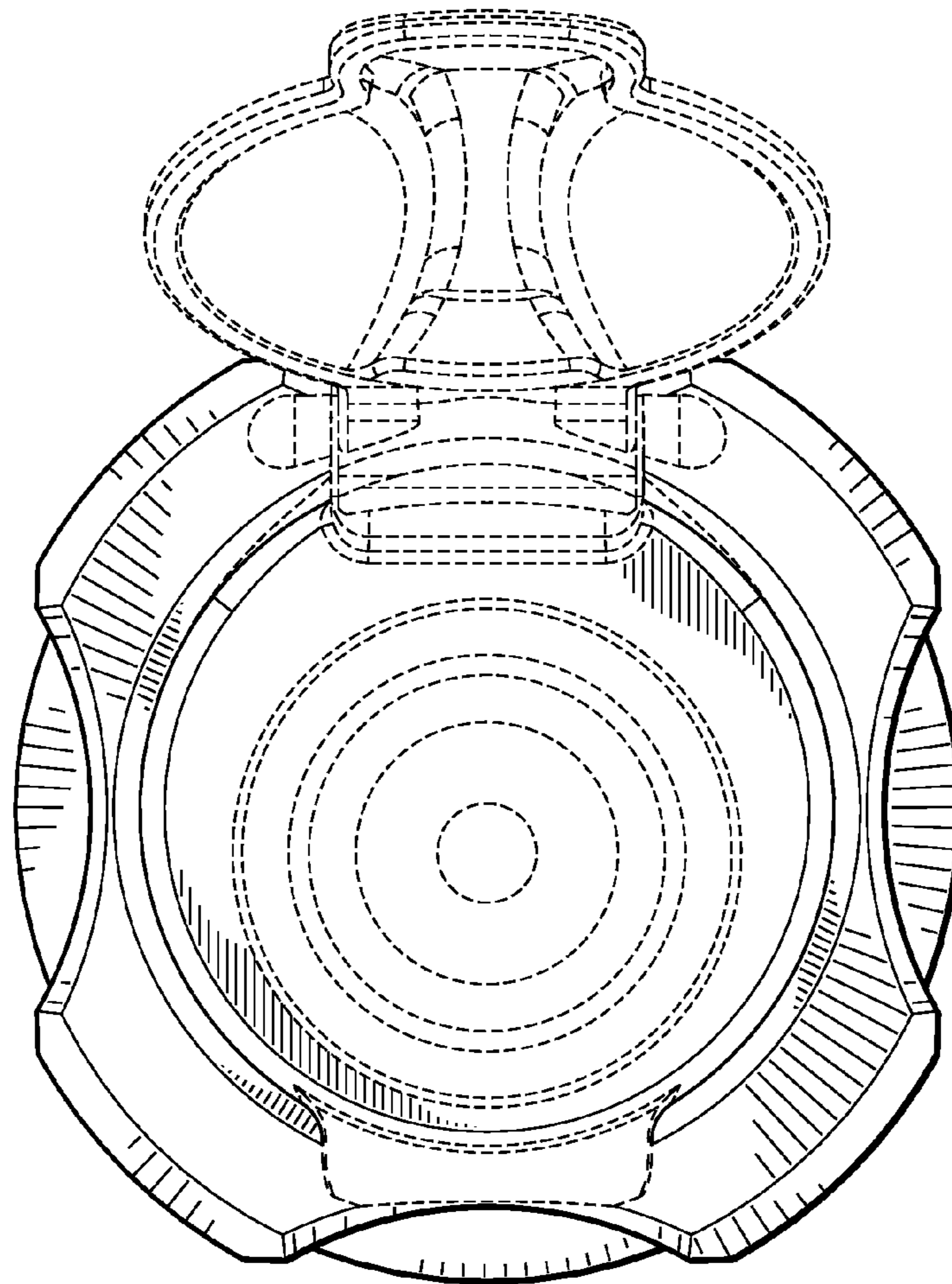


FIG. 2

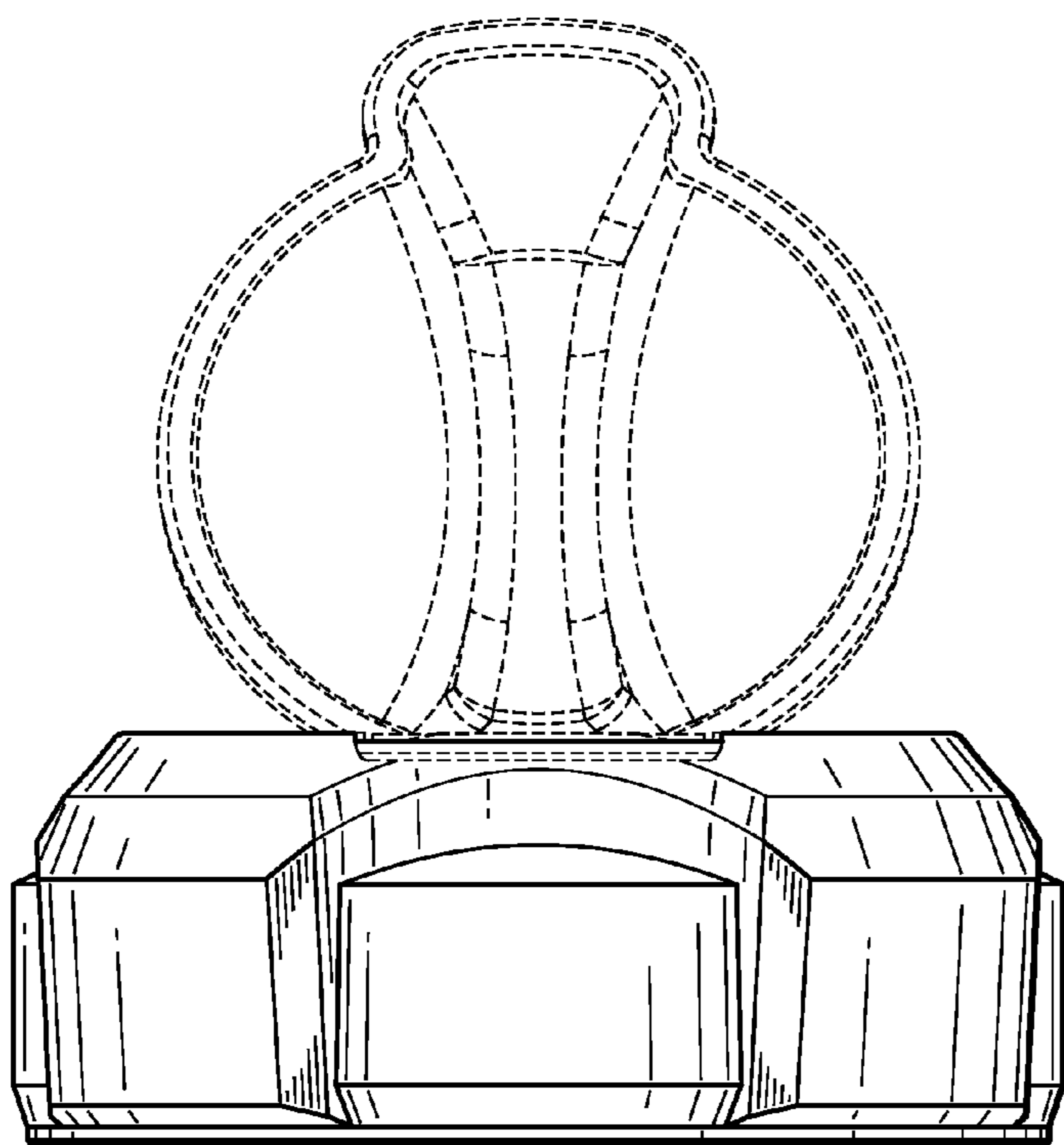


FIG. 3

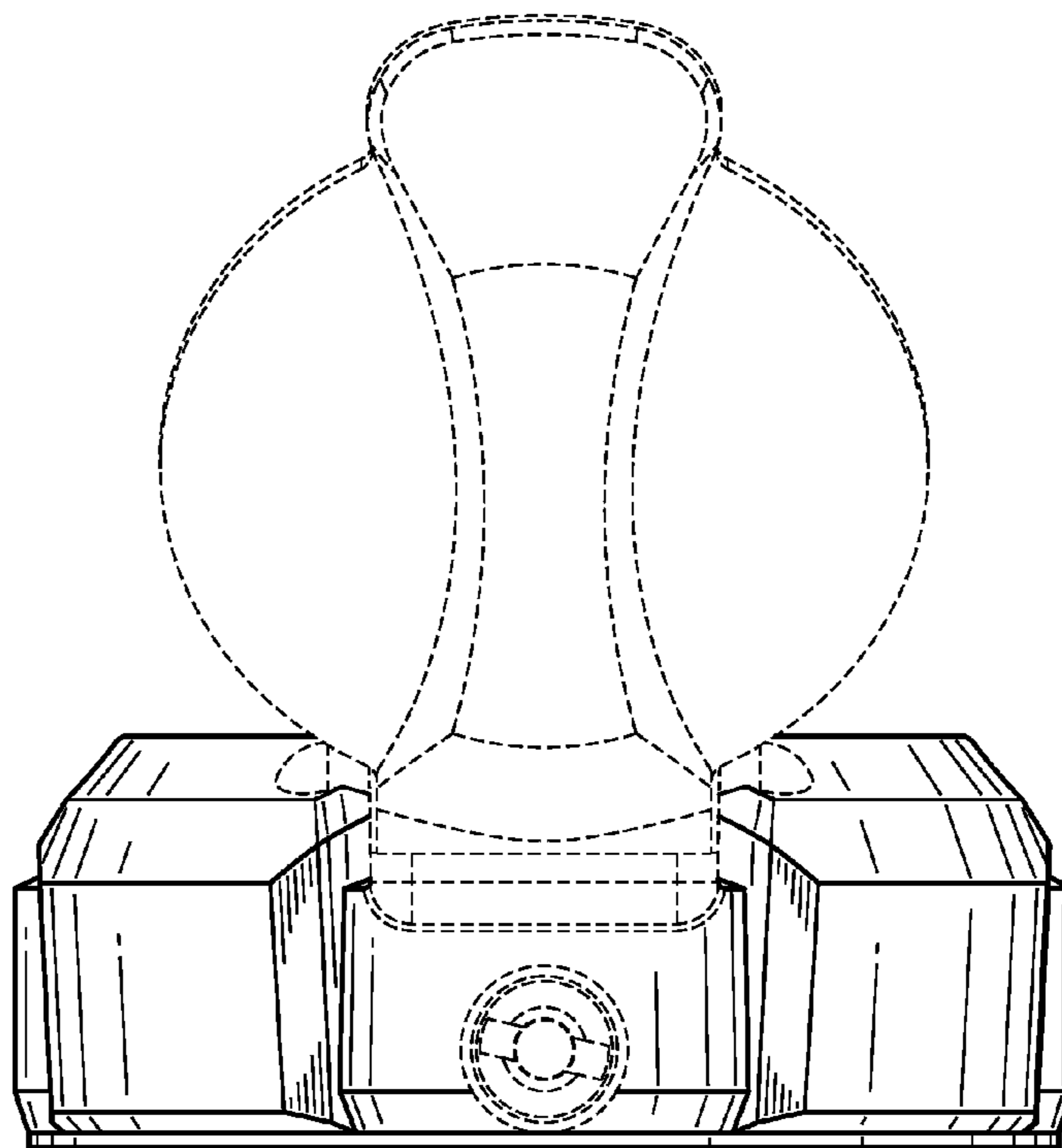


FIG. 4

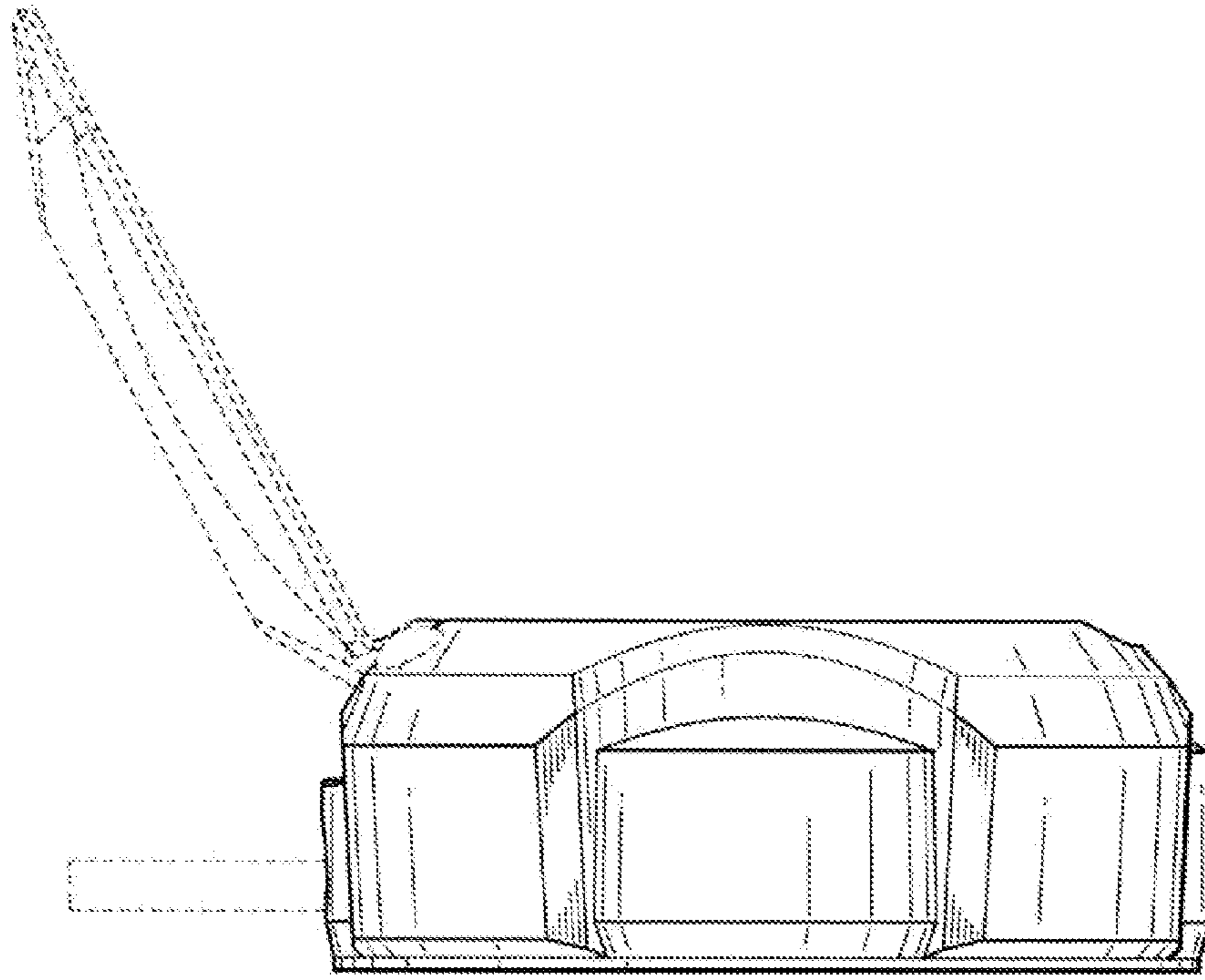


FIG. 5

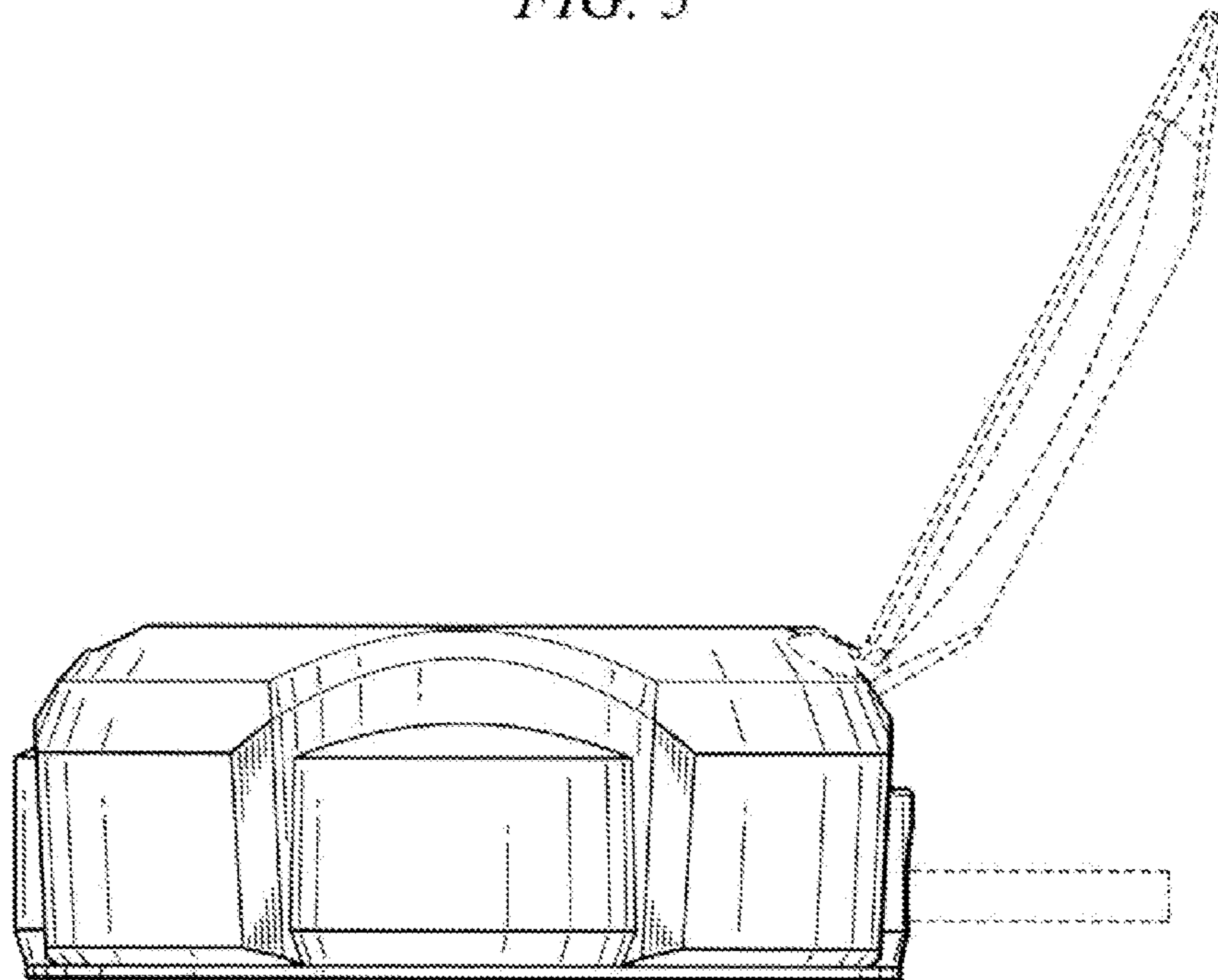


FIG. 6