

US00D696970S

(12) **United States Design Patent**  
**Rünger et al.**

(10) **Patent No.:** **US D696,970 S**  
(45) **Date of Patent:** **\*\* Jan. 7, 2014**

(54) **X-RAY APPARATUS FOR MEASURING AND CHECKING FOOD PRODUCTS**

(75) Inventors: **Björn Rünger**, Lübeck (DE); **Matthias Schröder**, Stockelsdorf (DE)

(73) Assignee: **Nordi Scher Maschinenbau Rud. Baader GmbH + Co. KG** (DE)

(\*\*) Term: **14 Years**

(21) Appl. No.: **29/426,347**

(22) Filed: **Jul. 3, 2012**

(30) **Foreign Application Priority Data**

Jan. 20, 2012 (WO) ..... 077752

(51) **LOC (10) Cl.** ..... **10-04**

(52) **U.S. Cl.**  
USPC ..... **D10/46**

(58) **Field of Classification Search**  
USPC ..... D10/46; 62/186; 165/47, 104.33, 165/104.34; 361/690, 695; 378/20, 57, 378/98-98.12, 62, 102, 199, 203, 208; 382/100; 454/184

See application file for complete search history.

(56) **References Cited**

U.S. PATENT DOCUMENTS

6,872,001	B1 *	3/2005	Gilevich .....	378/208
7,234,510	B1 *	6/2007	Gilevich .....	165/47
8,213,570	B2 *	7/2012	Panesar et al. ....	378/57
2002/0181652	A1 *	12/2002	Ohtsuki .....	378/57
2008/0118026	A1 *	5/2008	Ainsworth et al. ....	378/20
2009/0147987	A1 *	6/2009	Hirose .....	382/100
2011/0058650	A1 *	3/2011	Makino et al. ....	378/57
2012/0257718	A1 *	10/2012	Kaval .....	378/57

\* cited by examiner

*Primary Examiner* — Antoine D Davis

(74) *Attorney, Agent, or Firm* — Schmeiser, Olsen & Watts

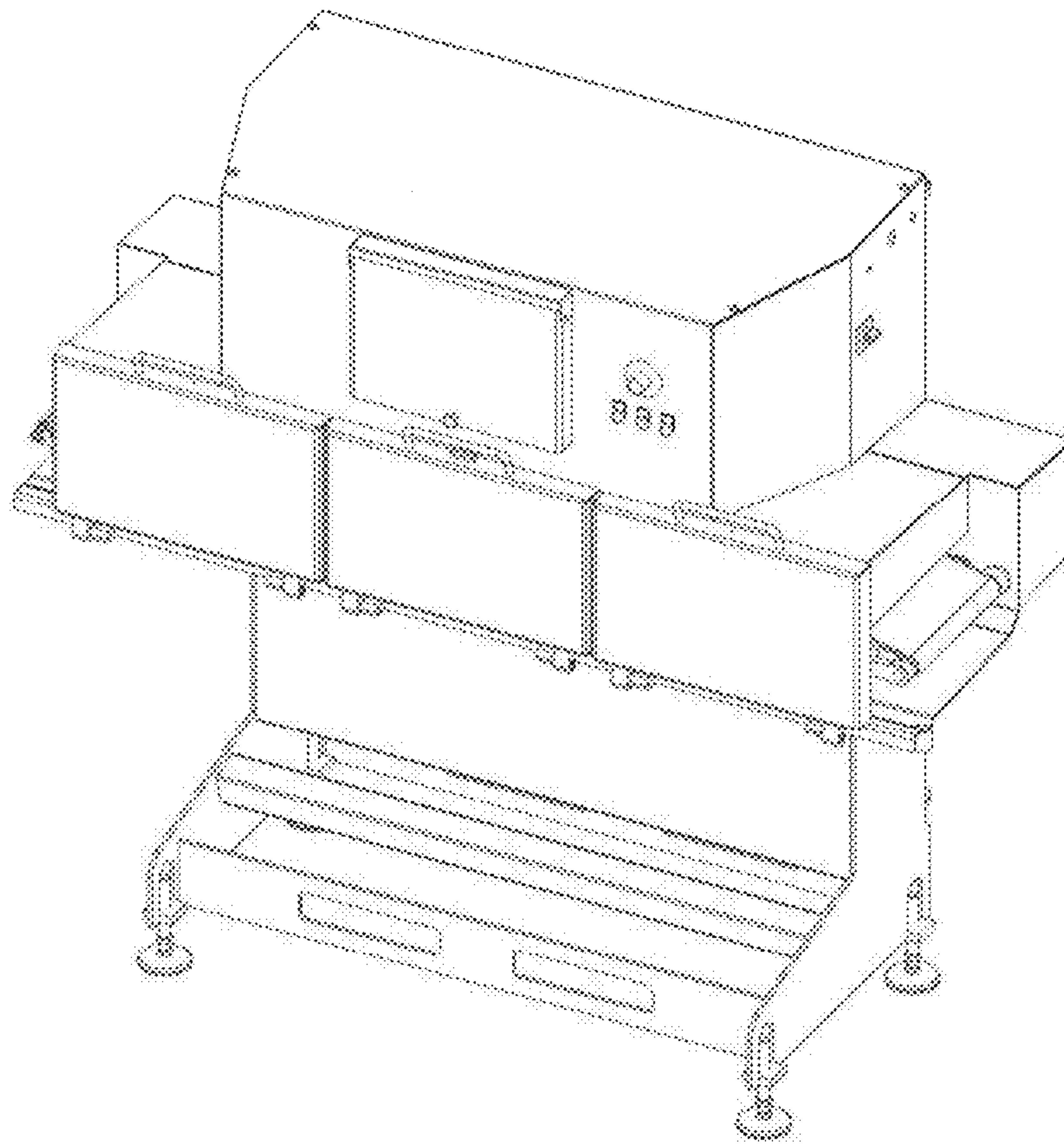
(57) **CLAIM**

The ornamental design for an x-ray apparatus for measuring and checking food products, as shown and described.

**DESCRIPTION**

FIG. 1 is a perspective view of an x-ray apparatus for measuring and checking food products showing the new design; FIG. 2 is a front elevational view thereof; FIG. 3 is a rear elevational view thereof; FIG. 4 is a right side elevational view thereof; FIG. 5 is a left side elevational view thereof; FIG. 6 is a top plan view thereof; and, FIG. 7 is a bottom plan view thereof.

**1 Claim, 7 Drawing Sheets**



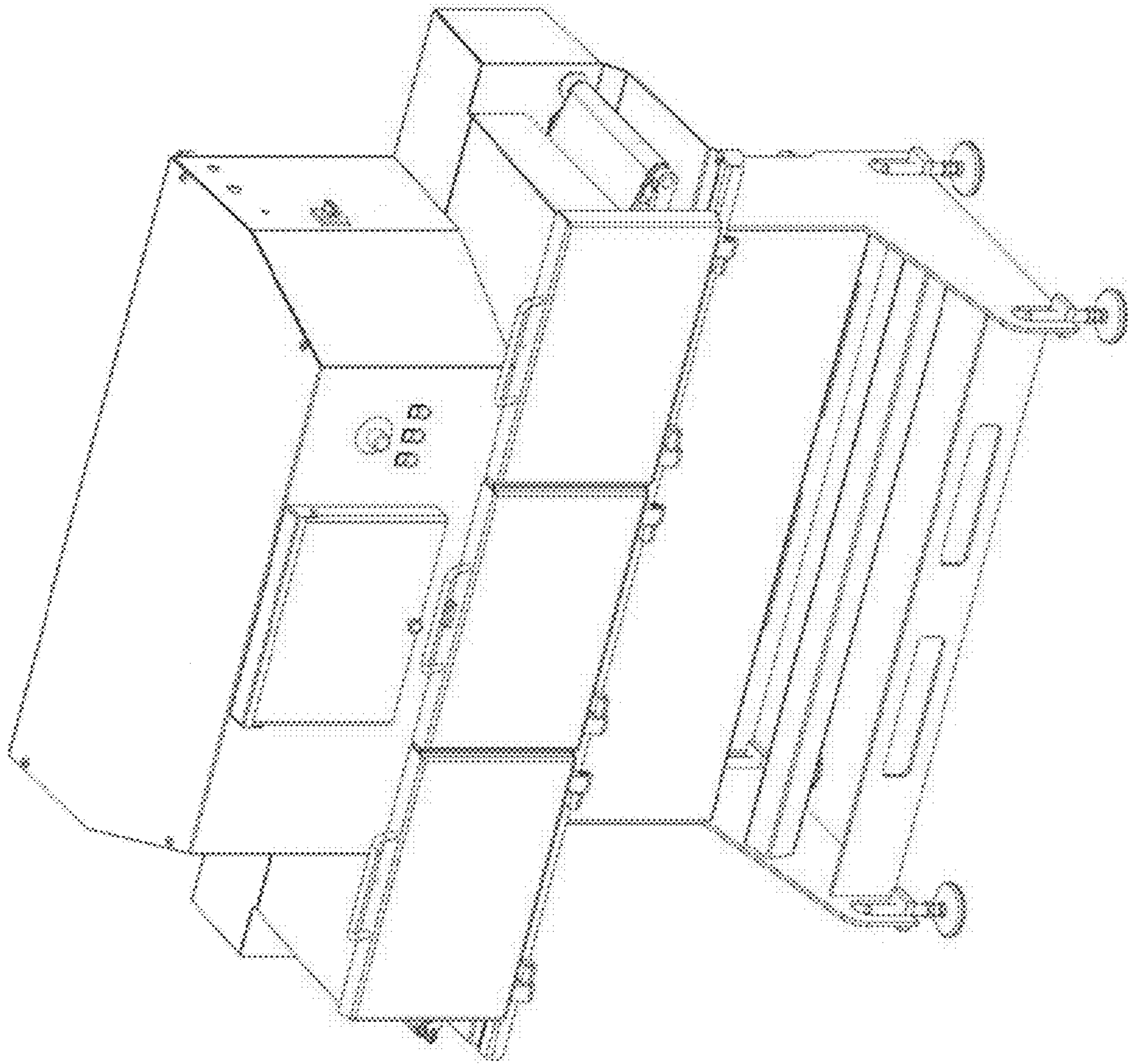


FIG. 1

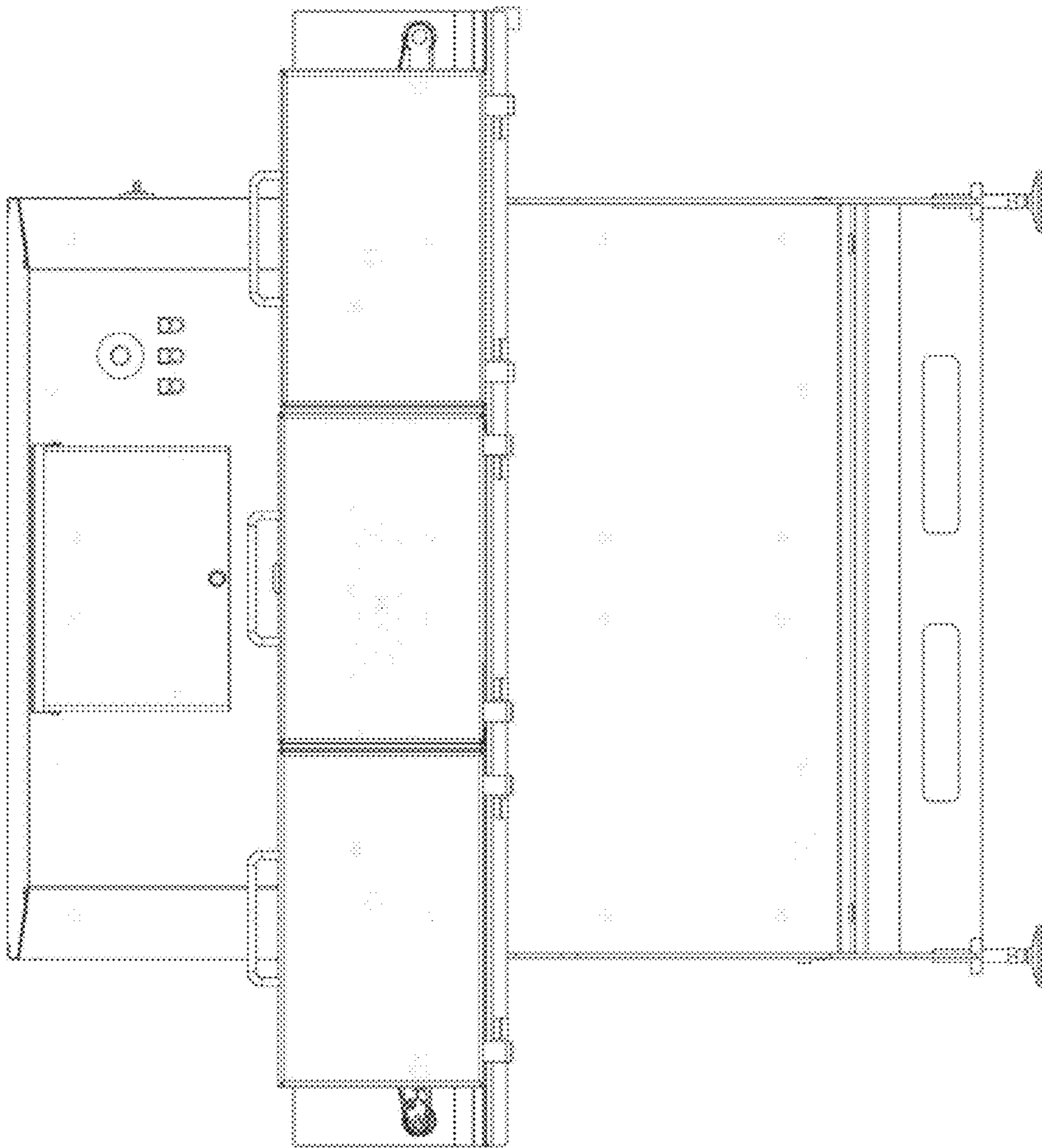


FIG. 2



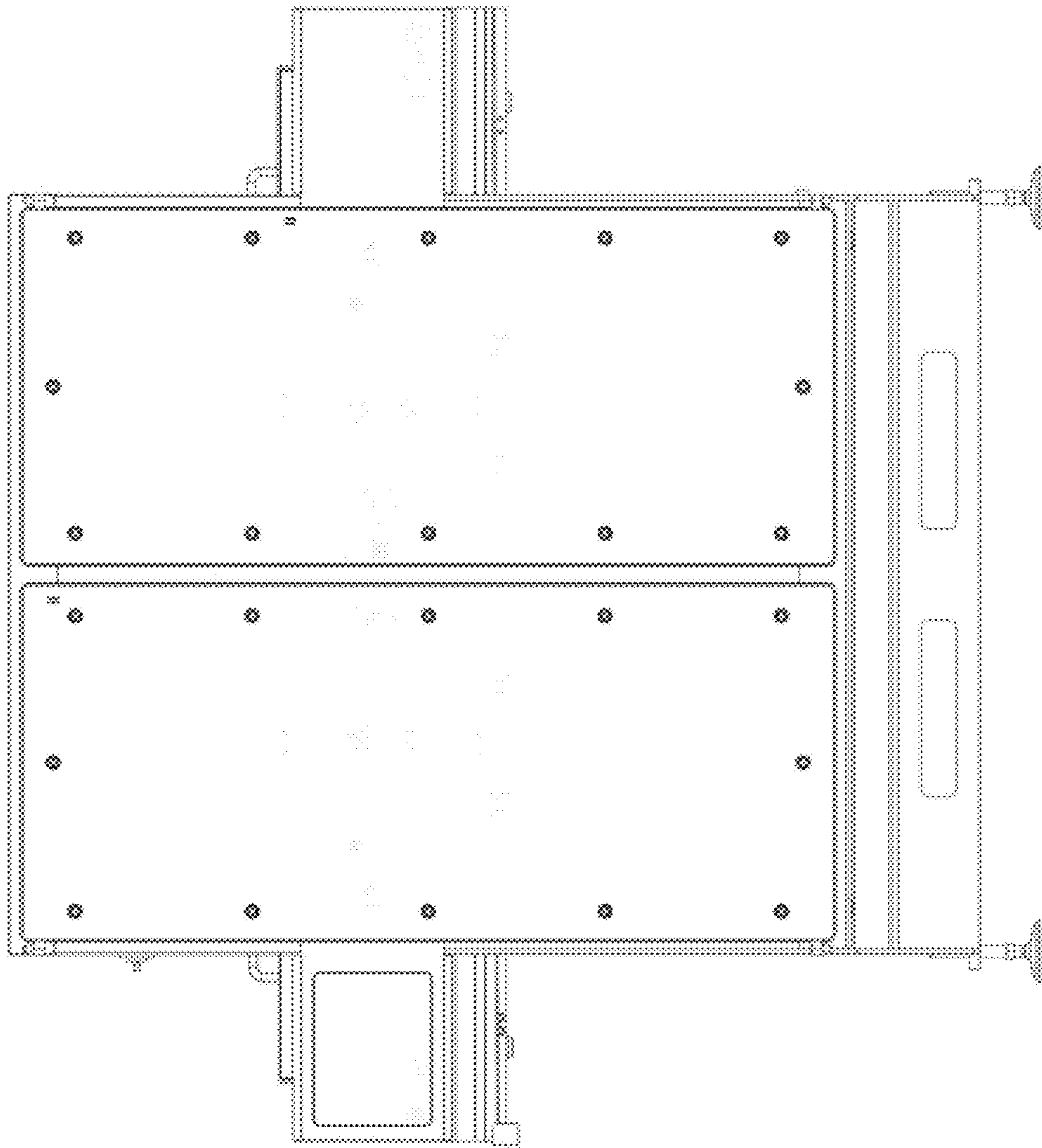


FIG. 3

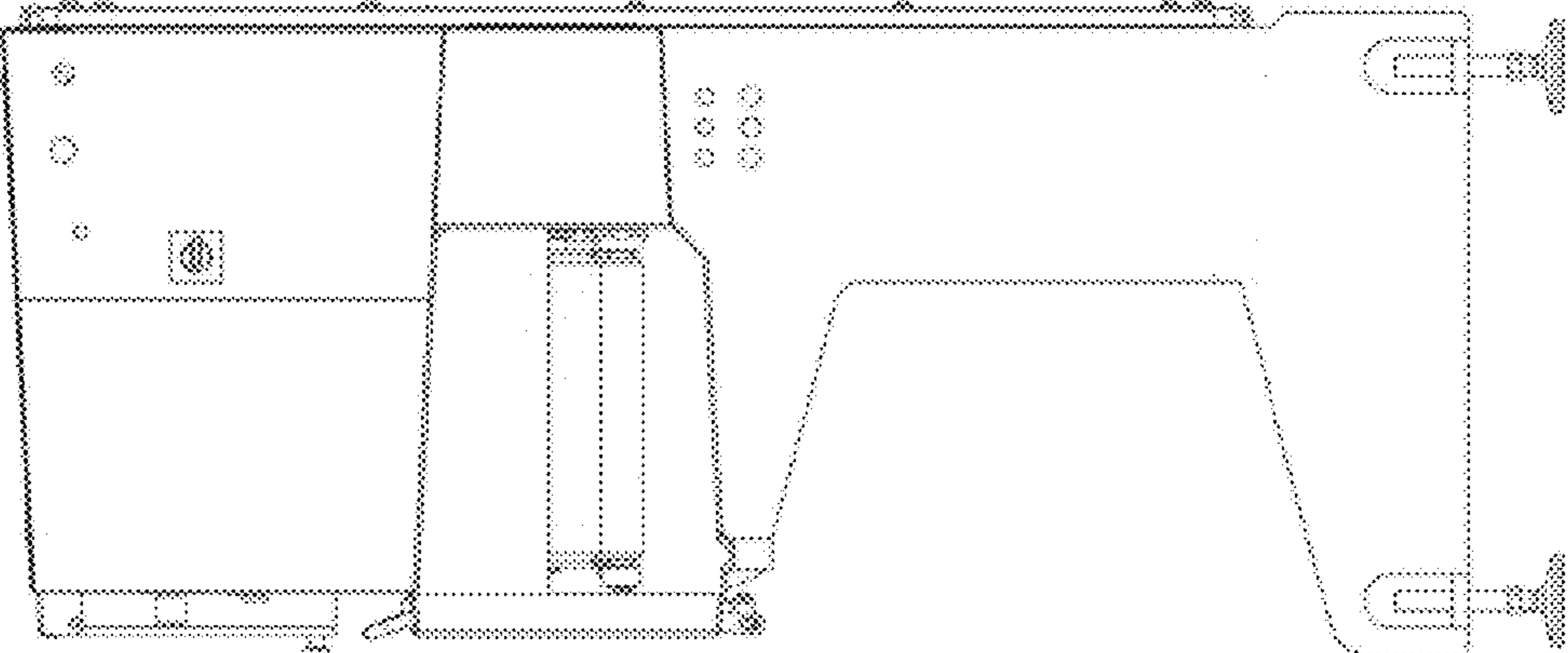


FIG. 4

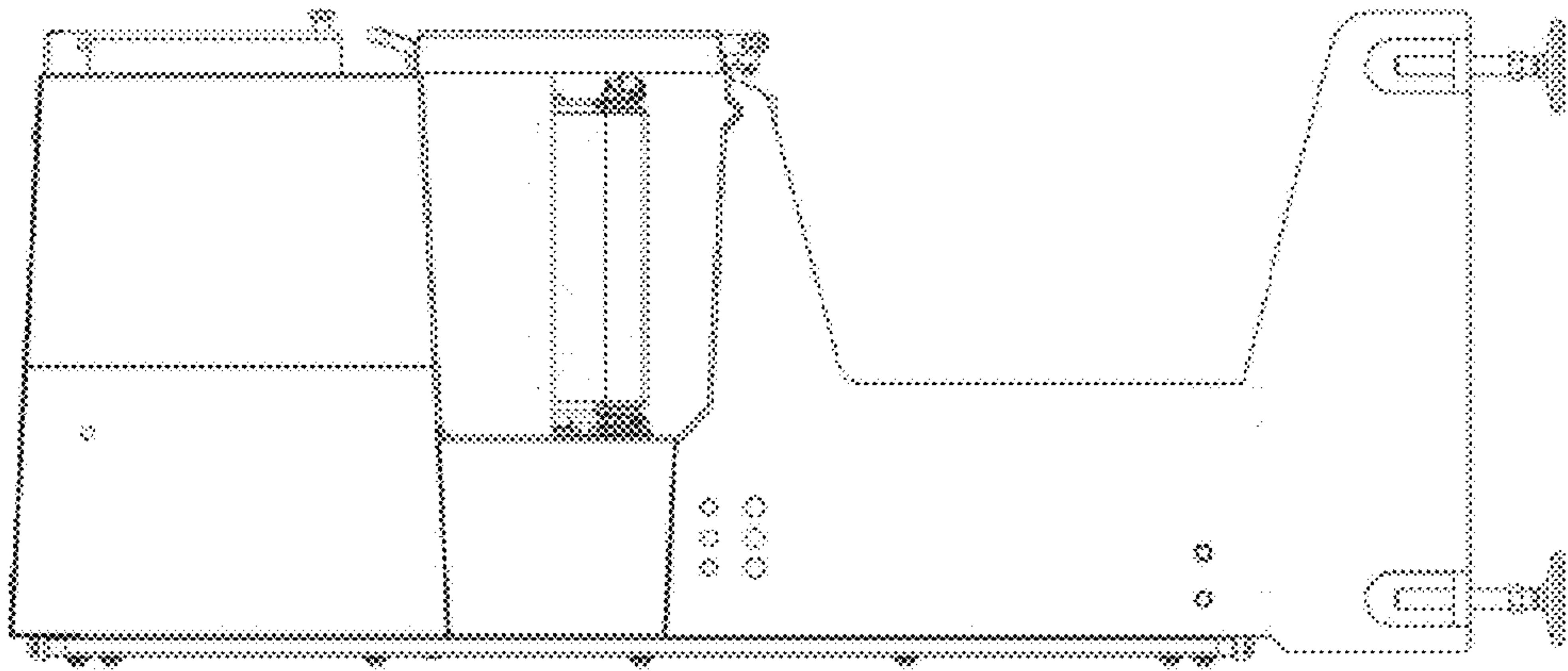


FIG. 5

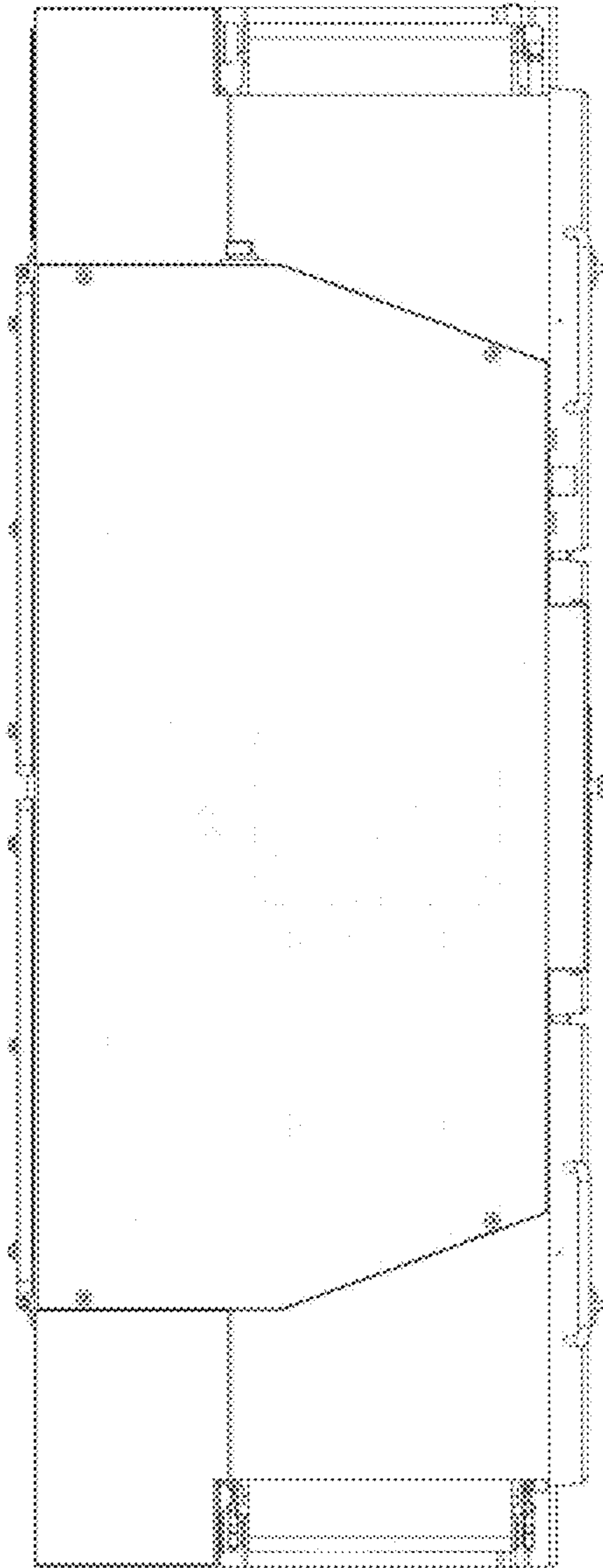


FIG. 6

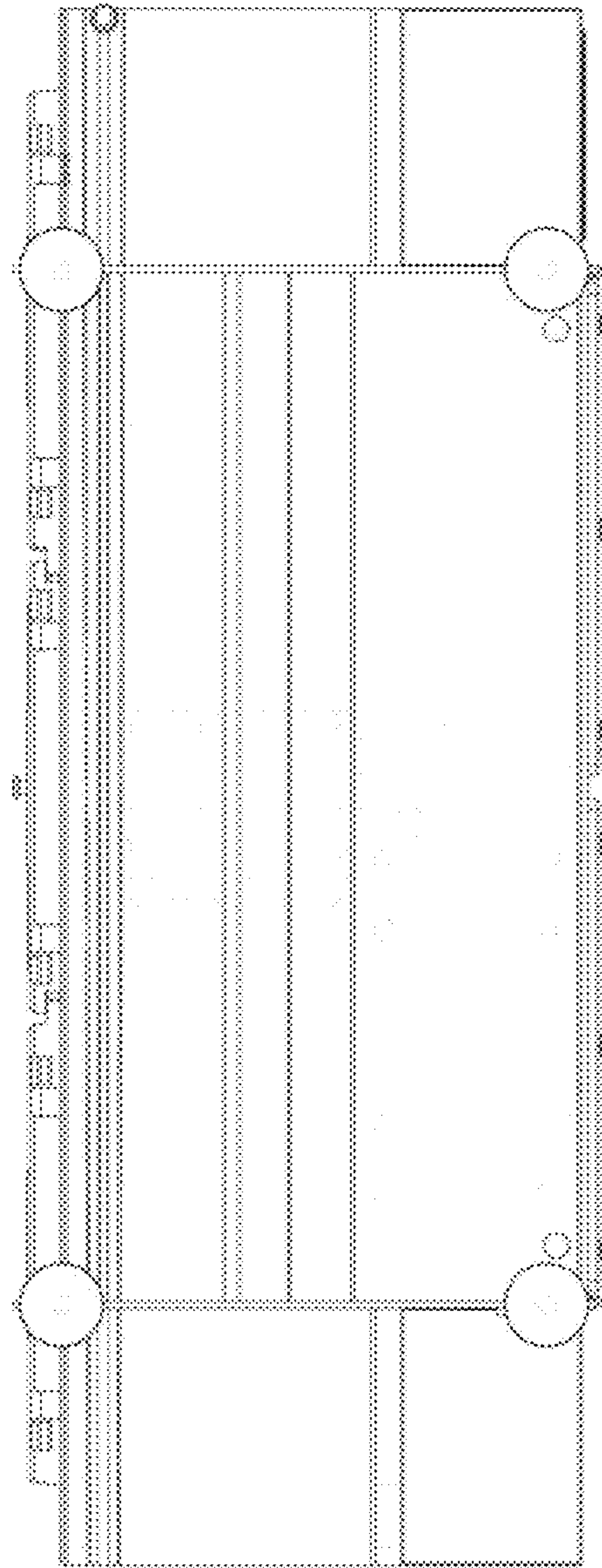


FIG. 7



UNITED STATES PATENT AND TRADEMARK OFFICE  
**CERTIFICATE OF CORRECTION**

PATENT NO. : D696,970 S  
APPLICATION NO. : 29/426347  
DATED : January 7, 2014  
INVENTOR(S) : Rúnger et al.

Page 1 of 1

It is certified that error appears in the above-identified patent and that said Letters Patent is hereby corrected as shown below:

On the title page, Item (73) Assignee: delete "Nordi Scher", insert -- Nordischer --

Signed and Sealed this  
Sixth Day of May, 2014



Michelle K. Lee  
*Deputy Director of the United States Patent and Trademark Office*