



US00D696965S

(12) **United States Design Patent**
Lee et al.

(10) **Patent No.:** **US D696,965 S**
(45) **Date of Patent:** **** *Jan. 7, 2014**

(54) **COSMETIC CONTAINER**

(75) Inventors: **Do-Hoon Lee**, Incheon (KR); **Myung Kwon Yeo**, Incheon (KR)

(73) Assignees: **Pumtech Korea., Ltd.**, Incheon (KR); **Toly Korea, Inc.**, Bucheon (KR)

(*) Notice: This patent is subject to a terminal disclaimer.

(**) Term: **14 Years**

(21) Appl. No.: **29/394,609**

(22) Filed: **Jun. 19, 2011**

(51) **LOC (10) Cl.** **09-01**

(52) **U.S. Cl.**
USPC **D9/691**

(58) **Field of Classification Search**
USPC D9/682–695, 697–699, 715, 723–726,
D9/500–505, 516, 521, 526, 529, 549–575,
D9/434–436, 442, 445, 447–450; 222/92,
222/95, 96, 106, 107, 129, 135, 153.01,
222/153.03, 153.04, 153.09,
222/153.11–153.14, 182, 631, 635, 209,
222/211–213, 215, 321.7–321.9, 372, 373,
222/378, 379, 383.1, 384–386, 398, 400.7,
222/400.8, 401, 402.1–402.25

See application file for complete search history.

(56) **References Cited**

U.S. PATENT DOCUMENTS

D271,049 S * 10/1983 Du Cret D28/7
D322,392 S * 12/1991 Schneider et al. D9/689
D327,003 S * 6/1992 Schneider et al. D9/691
D350,691 S * 9/1994 Simion D9/695
5,388,727 A * 2/1995 Jouillat 222/94
D356,947 S * 4/1995 Mueller D9/682
D396,188 S * 7/1998 Sayers D9/448
5,813,576 A * 9/1998 Iizuka et al. 222/190

5,816,451 A * 10/1998 Renault 222/215
D400,783 S * 11/1998 de Mourgues D9/691
D404,531 S * 1/1999 Bakic et al. D28/76
5,950,880 A * 9/1999 Garcia 222/321.7

(Continued)

FOREIGN PATENT DOCUMENTS

KP 300506609.0000 * 9/2008
KR 300449931.0000 * 5/2007
KR 300502914.0000 * 8/2008
KR 300528818.0001 * 6/2009
KR 300567443.0000 * 7/2010

(Continued)

Primary Examiner — Catherine Tuttle

(74) *Attorney, Agent, or Firm* — Maxon IP LLC; Justin H. Kim, Esq.

(57) **CLAIM**

The ornamental design for a cosmetic container, as shown and described.

DESCRIPTION

FIG. 1 is a perspective view showing our new design for a cosmetic container with the cap element removed to disclose the underlying parts;

FIG. 2 is a front view thereof;

FIG. 3 is a rear view thereof;

FIG. 4 is a left-side view thereof;

FIG. 5 is a right-side view thereof;

FIG. 6 is a top plan view thereof;

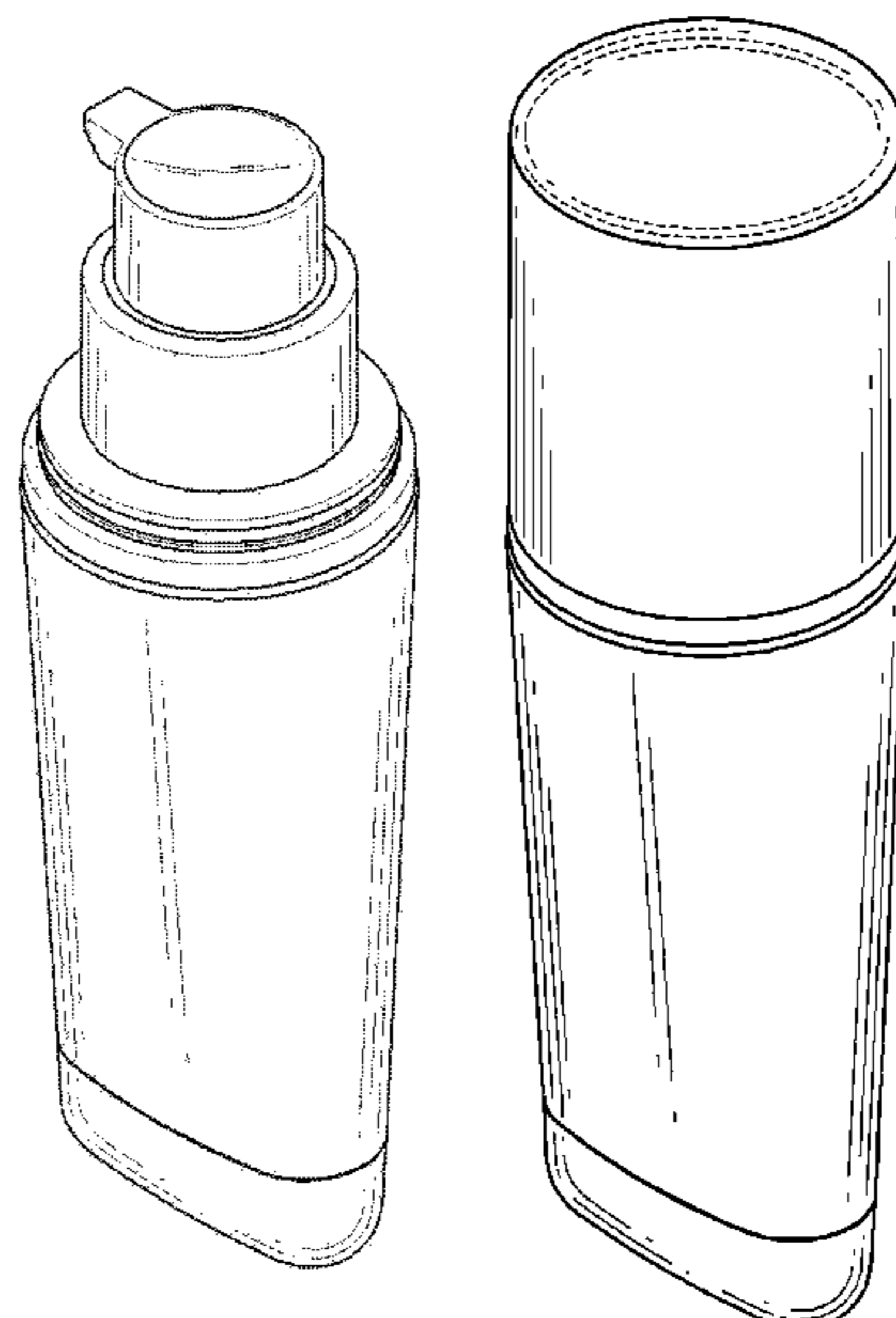
FIG. 7 is a bottom plan view thereof;

FIG. 8 is a perspective view showing the design in its capped state; and,

FIG. 9 is an exploded perspective view thereof.

The broken lines are included for the purpose of illustrating a portion of the cosmetic container that forms no part of the claimed design.

1 Claim, 8 Drawing Sheets



(56)

References Cited

FOREIGN PATENT DOCUMENTS

U.S. PATENT DOCUMENTS

D414,697 S * 10/1999 Sayers D9/448
5,988,443 A * 11/1999 Smith et al. 222/96
D470,415 S * 2/2003 Weber D9/521
D488,716 S * 4/2004 Dretzka D9/448
D546,196 S * 7/2007 Py et al. D9/695
D563,796 S * 3/2008 Rossignol D9/690
D569,724 S * 5/2008 Bloc et al. D9/448

KR 300580931.0000 * 12/2010
KR 300586225.0000 * 1/2011
KR 300600770.0000 * 6/2011
KR 300621083.0000 * 11/2011
KR 300621067.0001 * 12/2011
WO D015679-001 * 3/1990

* cited by examiner

FIG. 1

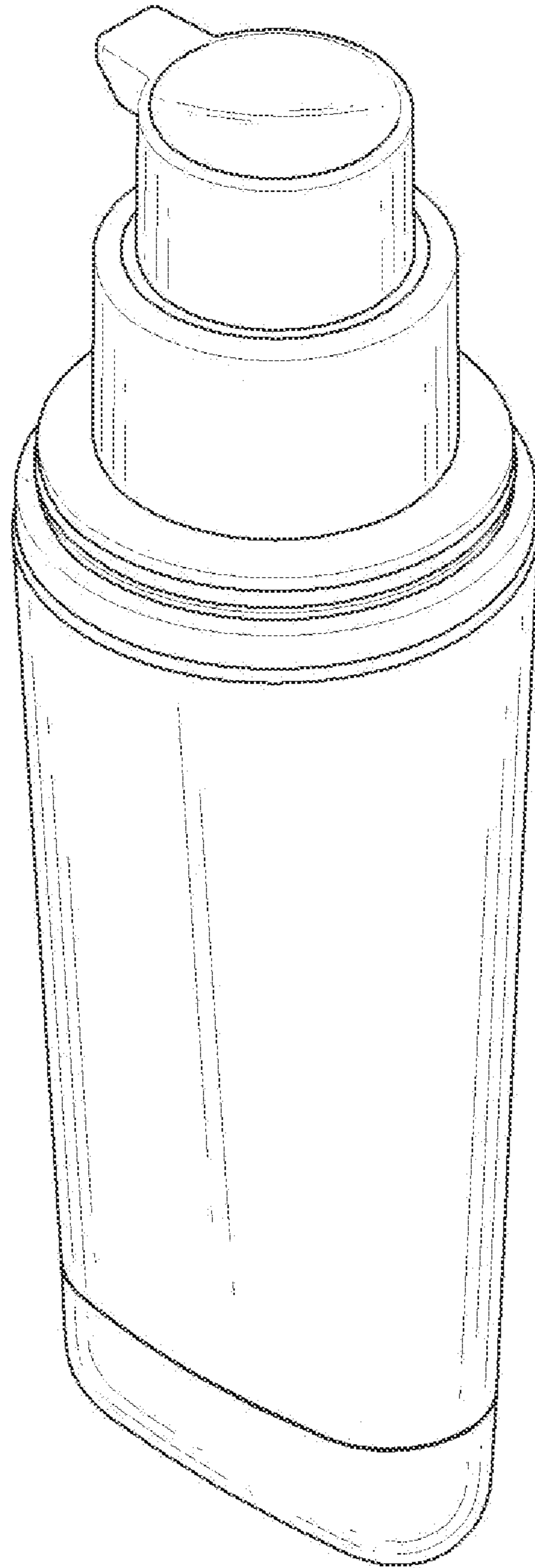


FIG. 2

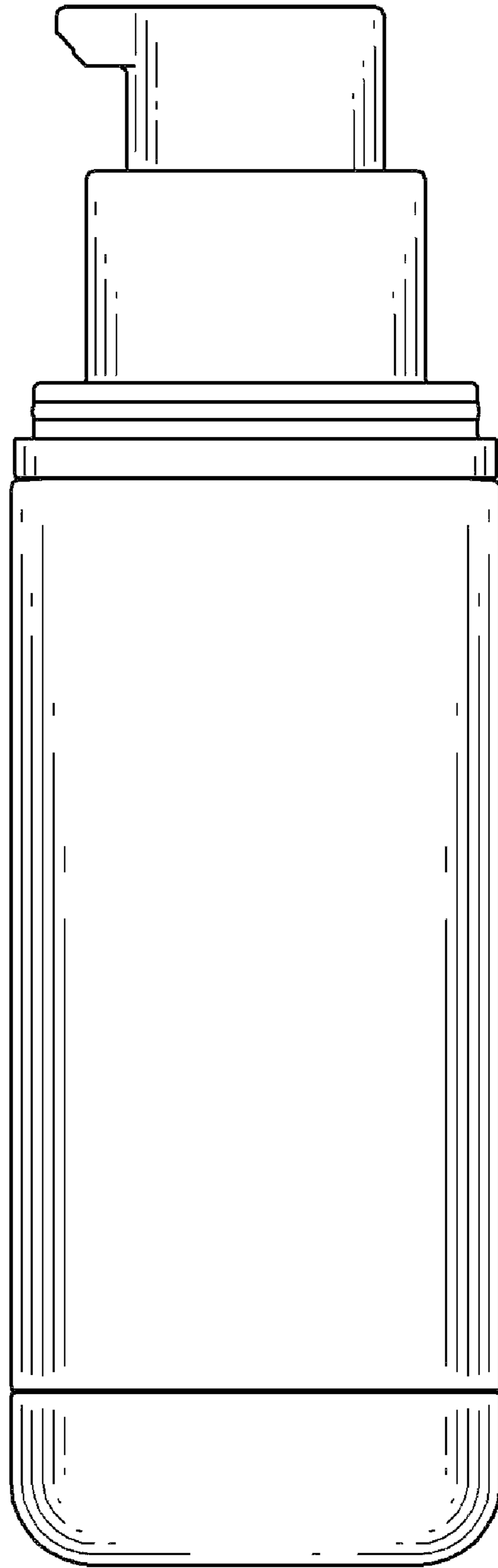


FIG. 3

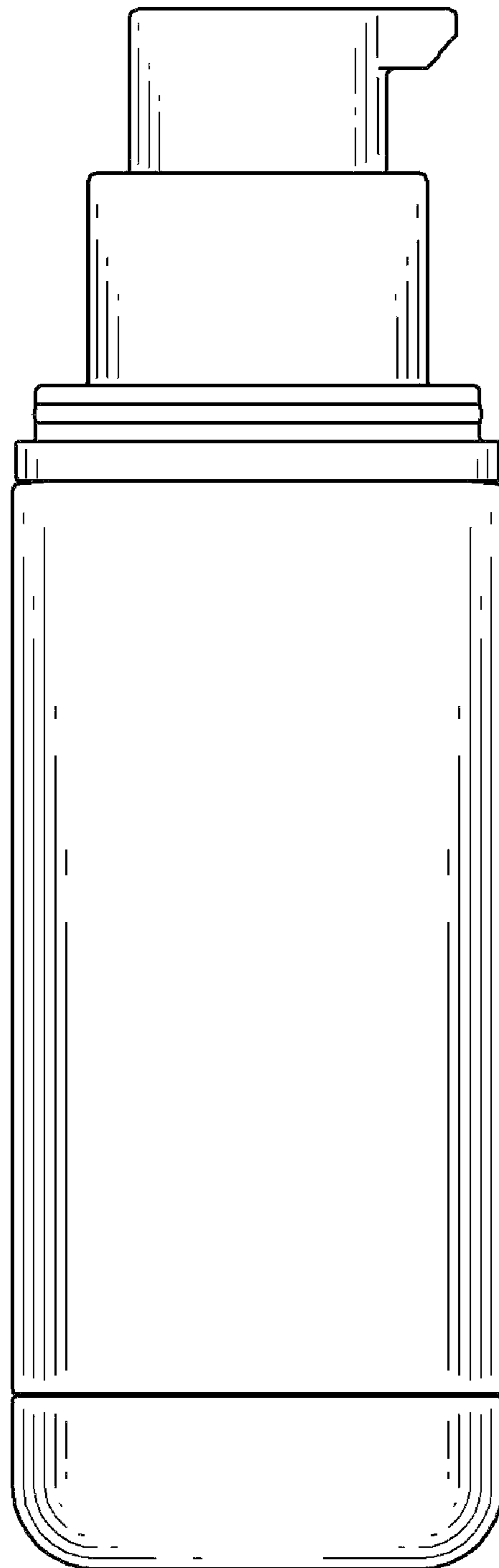


FIG. 4

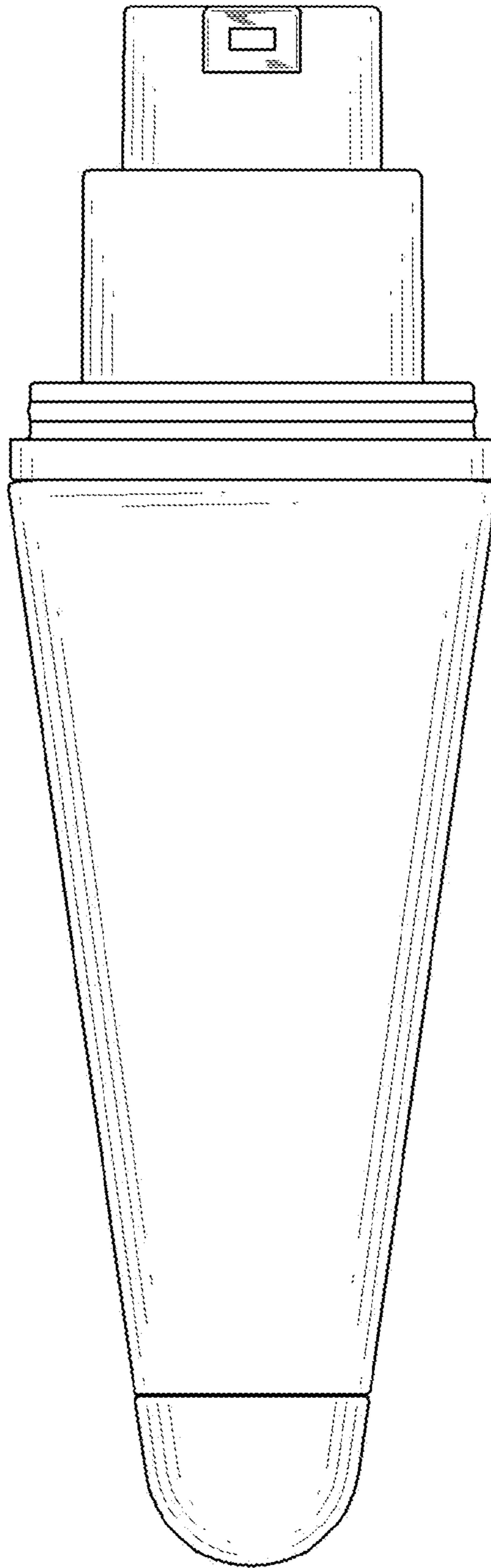


FIG.5

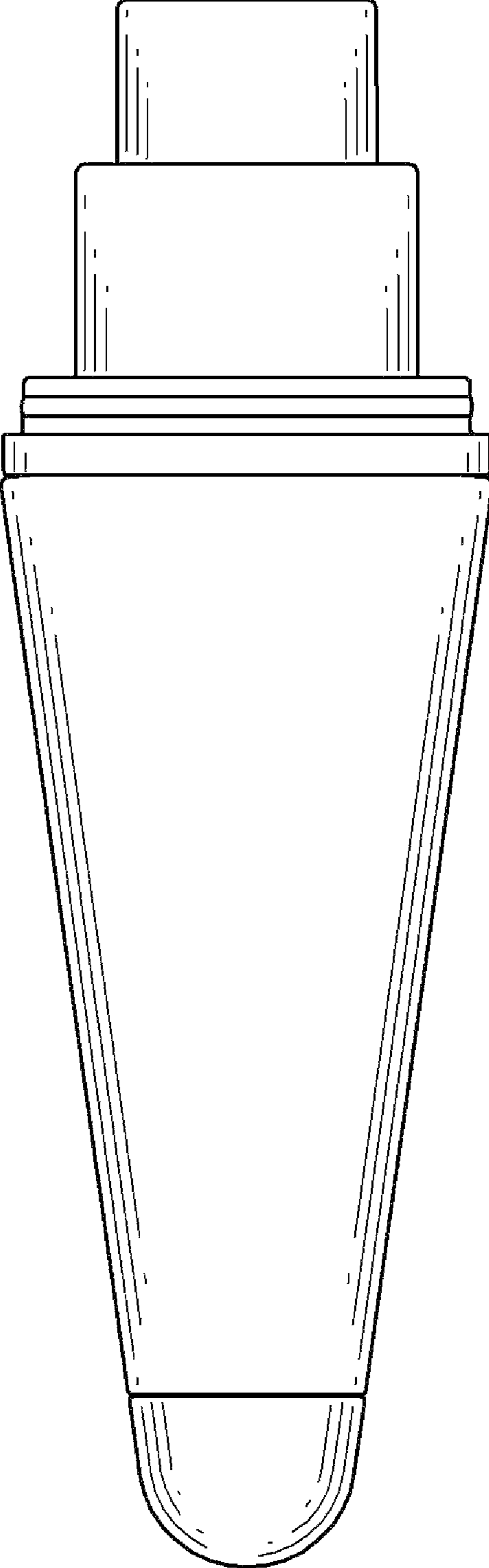


FIG. 6

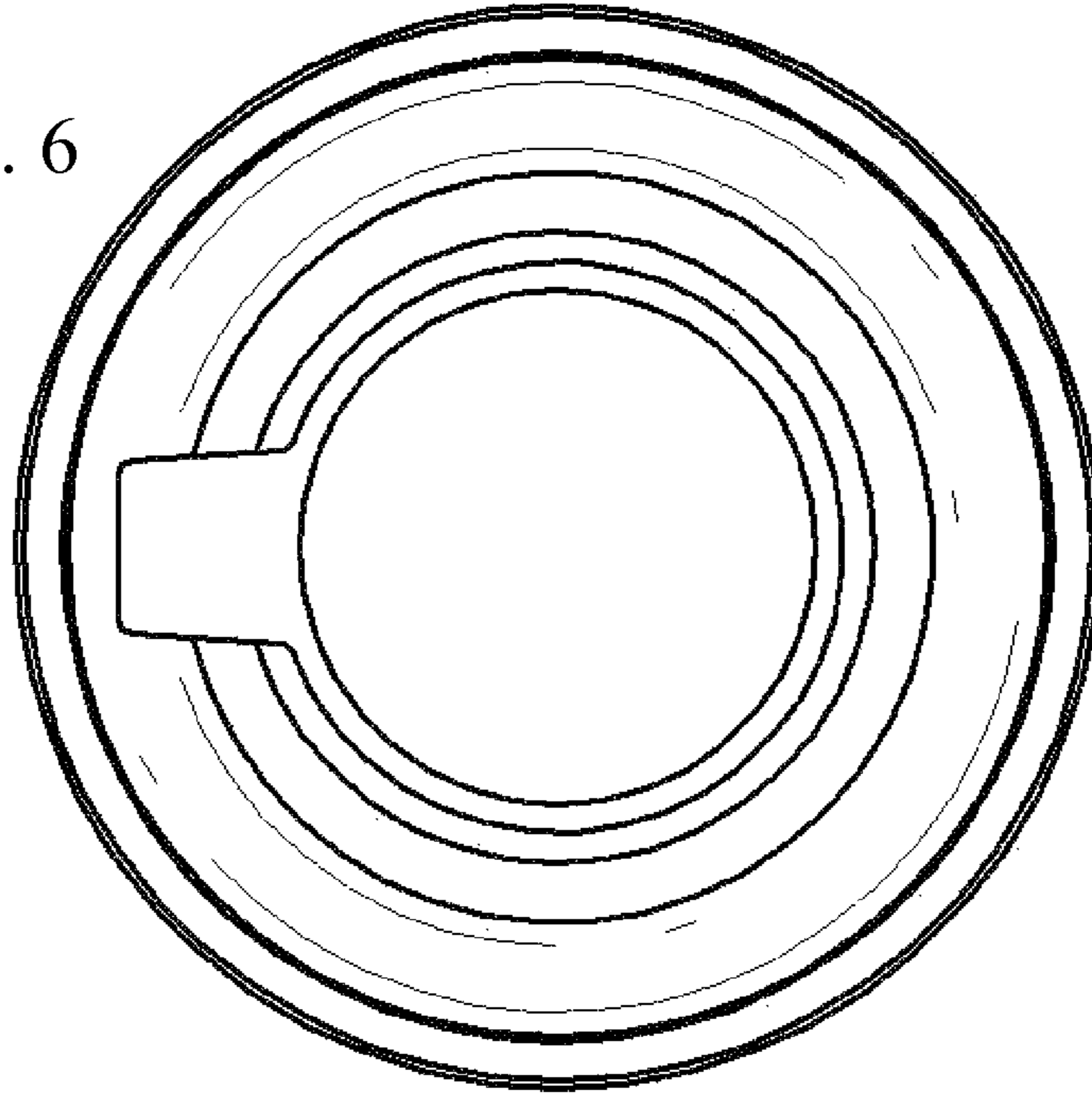


FIG. 7

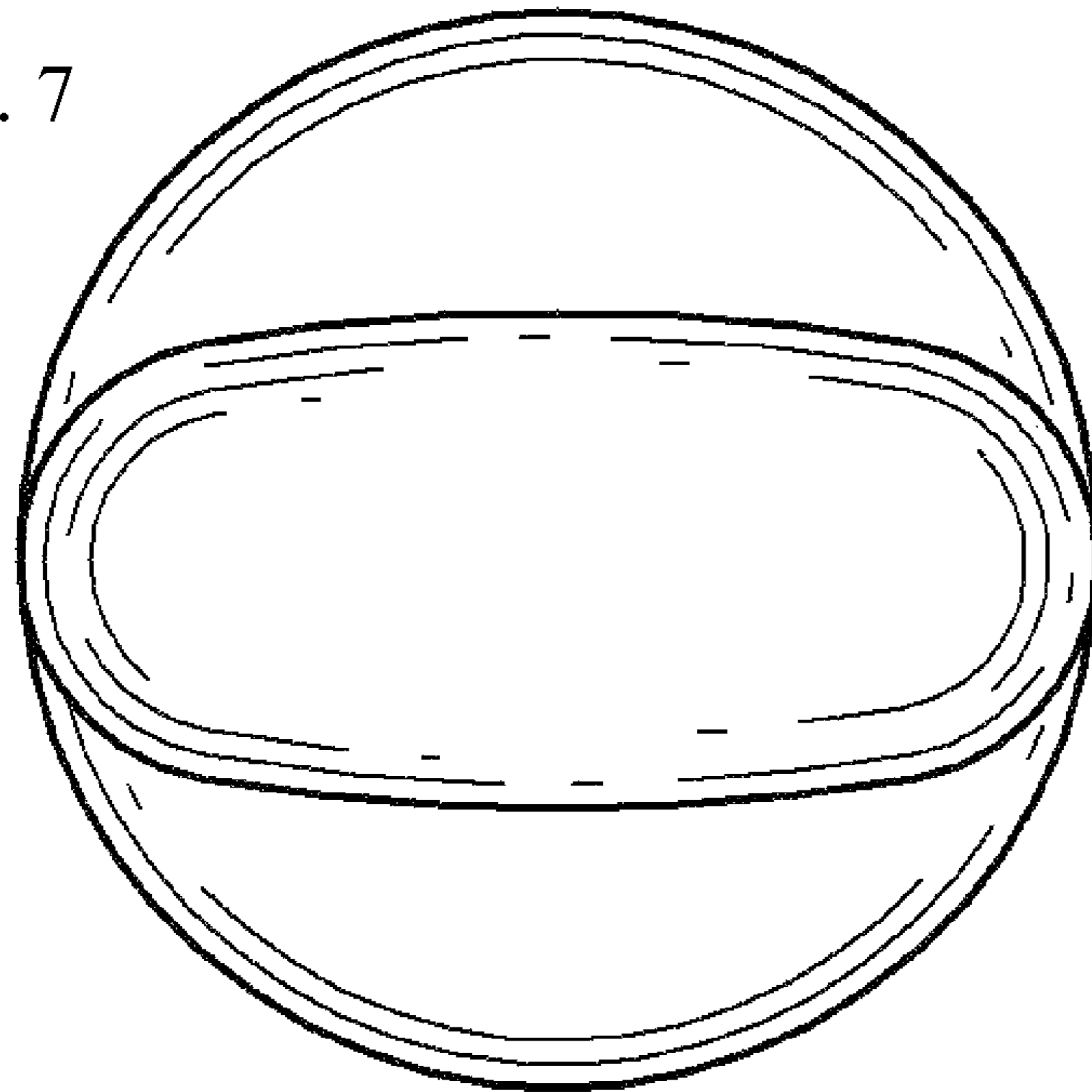
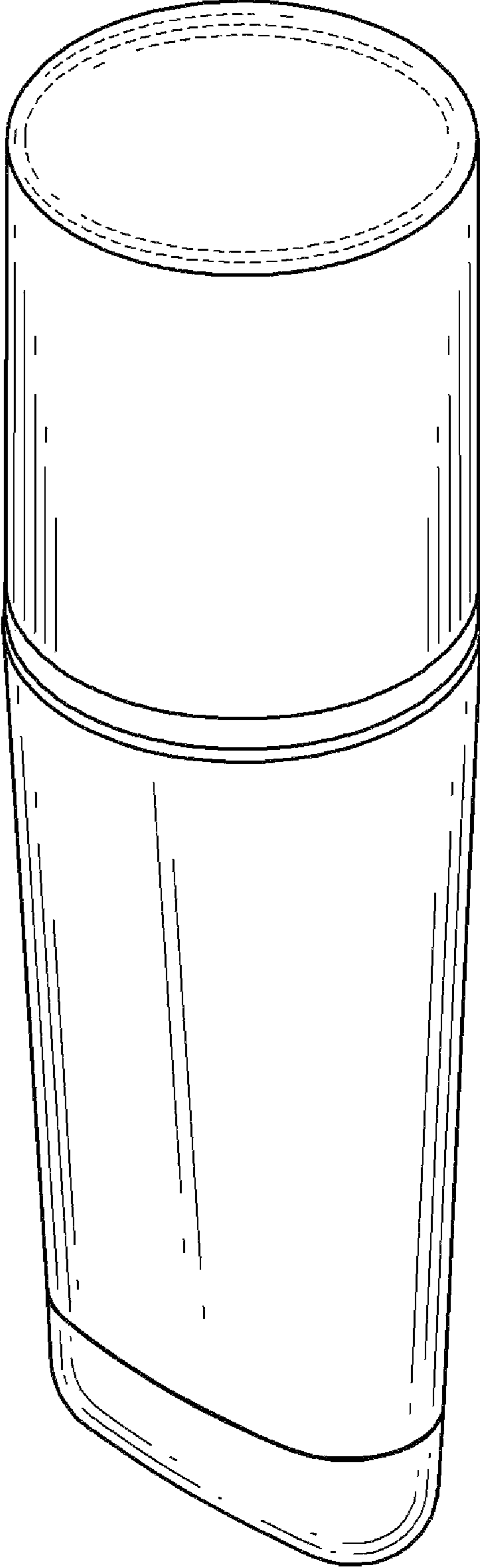


FIG. 8



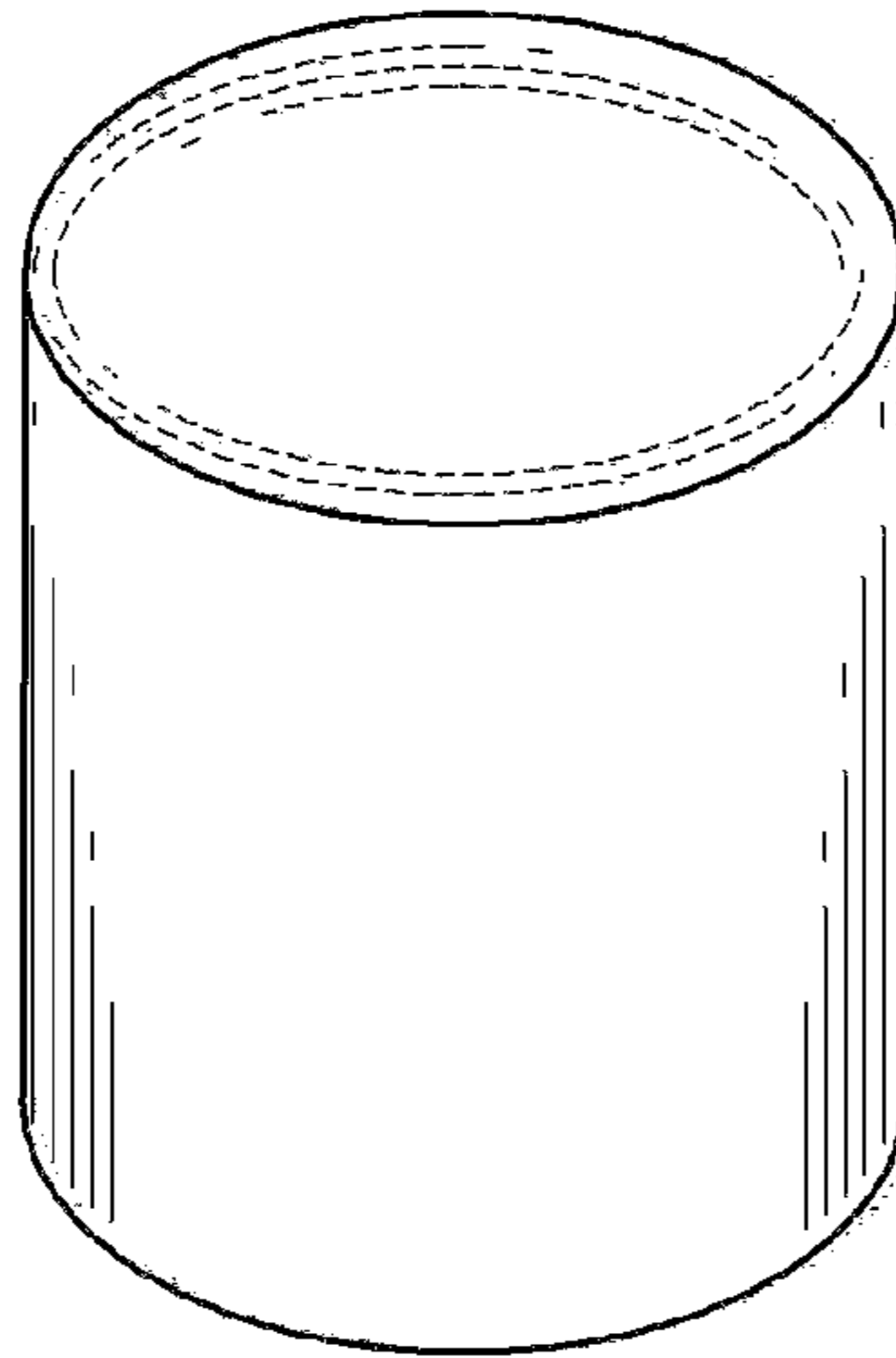


FIG. 9

