

US00D696964S

(12) **United States Design Patent**
Chen

(10) **Patent No.:** **US D696,964 S**
(45) **Date of Patent:** **** Jan. 7, 2014**

(54) **BOTTLE FOR COSMETICS**

(71) Applicant: **Sin-Hsiung Chen**, Tainan (TW)

(72) Inventor: **Sin-Hsiung Chen**, Tainan (TW)

(**) Term: **14 Years**

(21) Appl. No.: **29/447,978**

(22) Filed: **Mar. 8, 2013**

(51) **LOC (10) Cl.** **09-01**

(52) **U.S. Cl.**

USPC **D9/688**; D9/692

(58) **Field of Classification Search**

USPC D9/682-694, 719, 500-505, 526, 529,
D9/549-558, 600-681, 434, 436, 440,
D9/447-450; D28/5, 76-91.1; 222/153.01,
222/153.04, 153.09, 153.1, 153.11, 153.12,
222/153.13, 153.14, 180-185.1, 631, 635,
222/209, 211, 321.1, 321.6-322, 325-327,
222/372, 378, 379, 382, 383.1, 398, 400.7,
222/401, 402, 402.1-402.25; D19/47-49,
D19/55

See application file for complete search history.

(56) **References Cited**

U.S. PATENT DOCUMENTS

D31,585 S *	10/1899	Auerbach	D9/628
890,284 A *	6/1908	Kintz	215/12.1
D57,588 S *	4/1921	Crawford	D9/504
D108,330 S *	2/1938	Kane	D28/89
D153,054 S *	3/1949	Wolfe et al.	D9/529
D188,882 S *	9/1960	Boris	D9/688
2,966,283 A *	12/1960	Darvie	222/183
D191,487 S *	10/1961	Sagarin et al.	D9/689
D213,545 S *	3/1969	Koenigsberg	D9/529
D215,698 S *	10/1969	Jordan et al.	D9/688
3,471,065 A *	10/1969	Malone	222/321.1
D267,982 S *	2/1983	Kennedy	D28/5
D421,224 S *	2/2000	Piel	D9/553
D476,224 S *	6/2003	de Baschmakoff et al.	...	D9/692
D530,218 S *	10/2006	Burkemper	D9/655

D541,170 S *	4/2007	Bloc	D9/692
D580,777 S *	11/2008	Caroen et al.	D9/692
D594,346 S *	6/2009	Mouquet	D9/690
D626,005 S *	10/2010	Duquet	D9/686
7,845,521 B2 *	12/2010	Blake	222/321.5
7,874,461 B2 *	1/2011	Bae	222/153.13
8,308,029 B2 *	11/2012	Ki	222/309
D675,105 S *	1/2013	Chen	D9/688
8,439,230 B2 *	5/2013	Hagen	222/153.13
2010/0206907 A1 *	8/2010	Angus et al.	222/153.11

FOREIGN PATENT DOCUMENTS

CN	302061369	*	9/2012
KR	300373711.0000	*	3/2005
KR	300511834.0000	*	11/2008
KR	300579572.0000	*	11/2010
WO	D016136-008	*	5/1990

* cited by examiner

Primary Examiner — Catherine Tuttle

(74) *Attorney, Agent, or Firm* — Alan Kamrath; Kamrath IP Lawfirm, P.A.

(57) **CLAIM**

The ornamental design for a bottle for cosmetics, as shown and described.

DESCRIPTION

FIG. 1 is a perspective view of a bottle for cosmetics, showing my new design;

FIG. 2 is a front view thereof;

FIG. 3 is a left side view thereof;

FIG. 4 is a top view thereof;

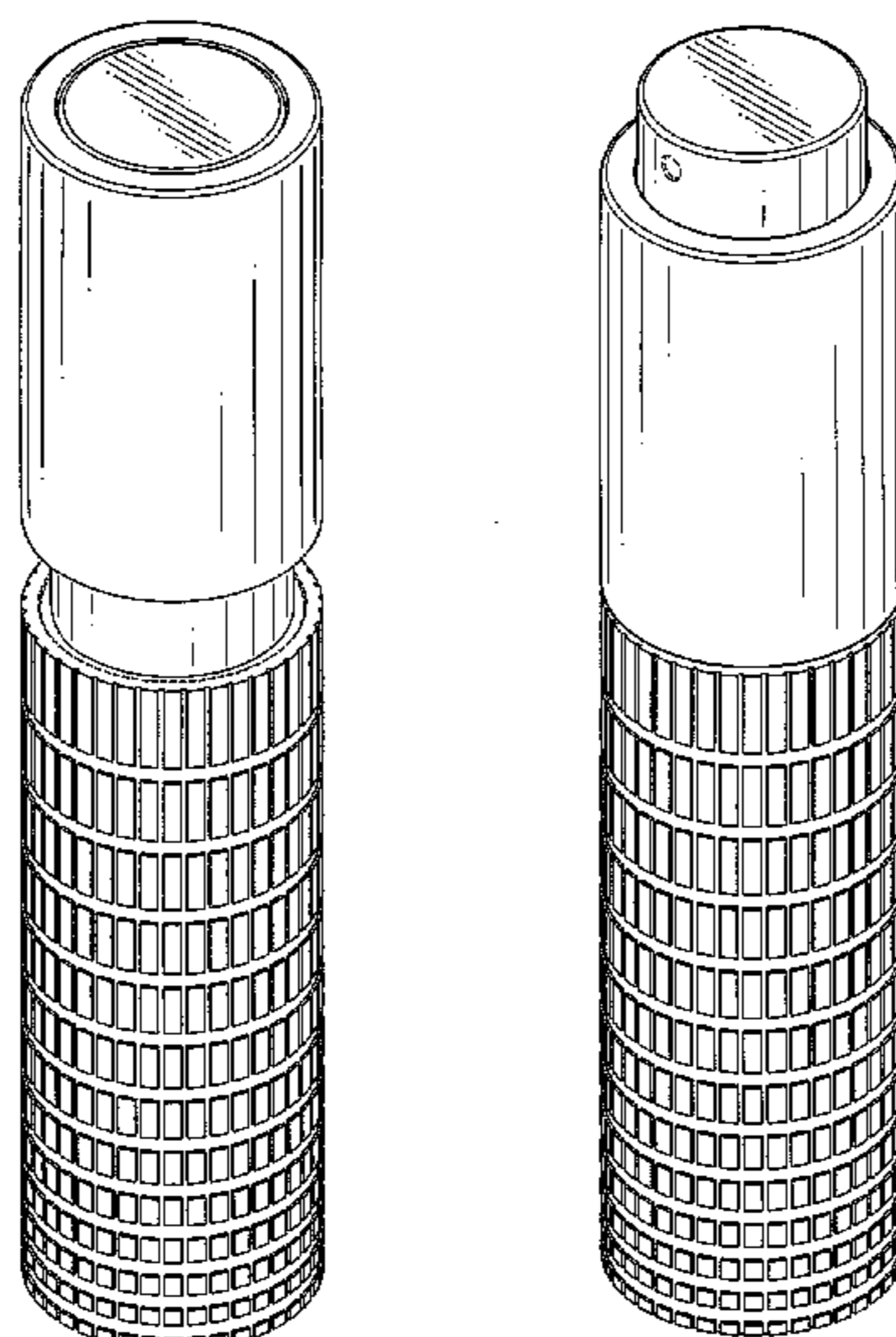
FIG. 5 is a bottom view thereof;

FIG. 6 is another perspective view thereof showing the head element in an extended position; and,

FIG. 7 is a front view of FIG. 6.

The broken lines are included for the purpose of illustrating features of the bottle for cosmetics that form no part of the claimed design.

1 Claim, 6 Drawing Sheets



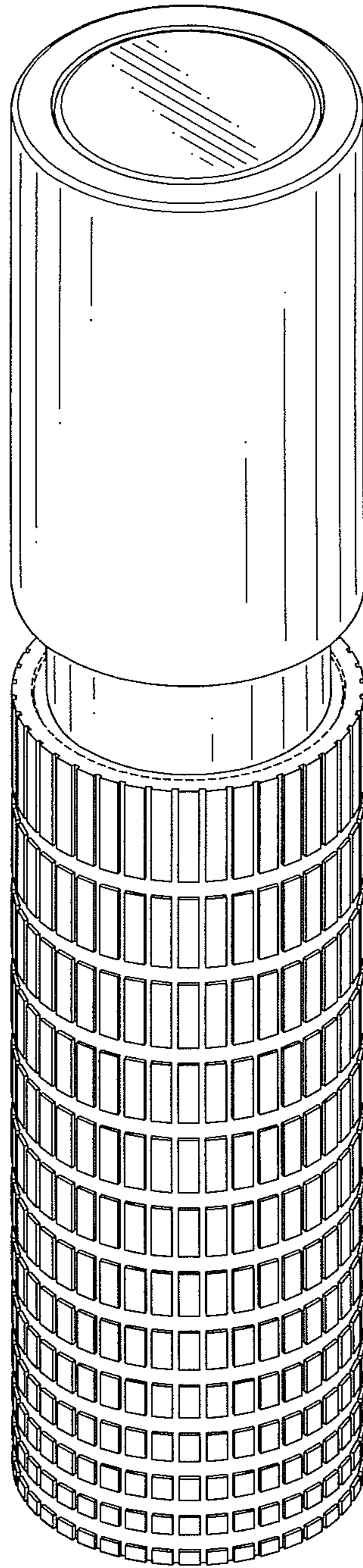


FIG.1

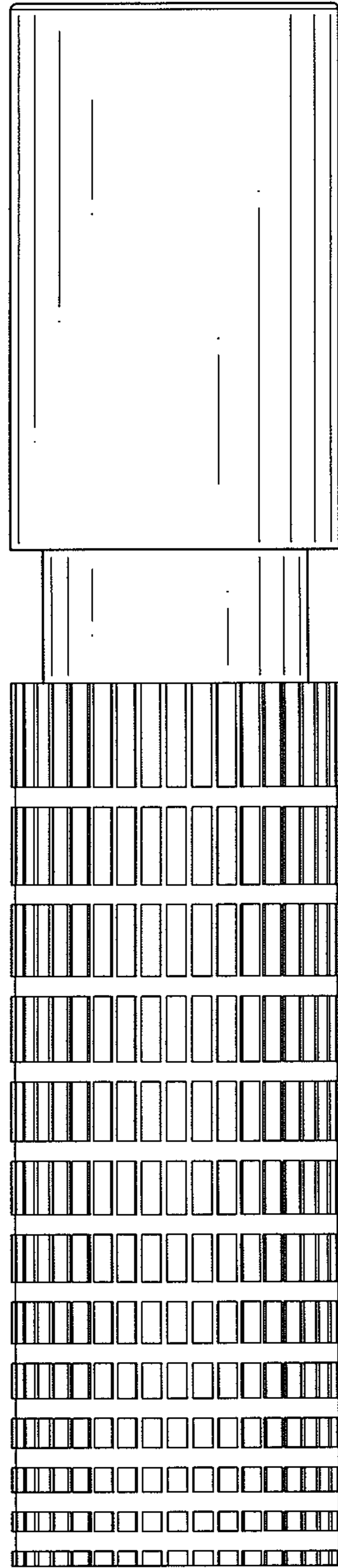


FIG.2

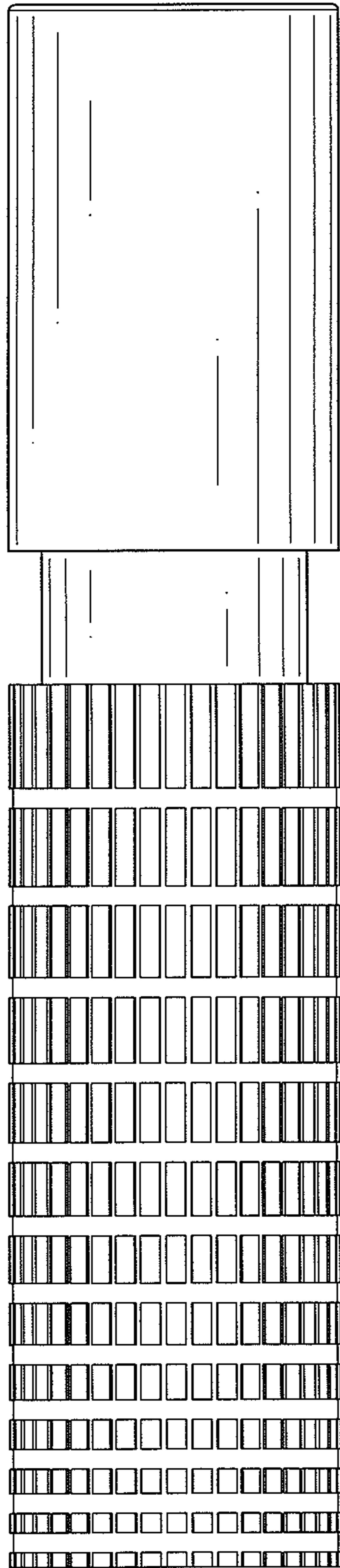


FIG.3

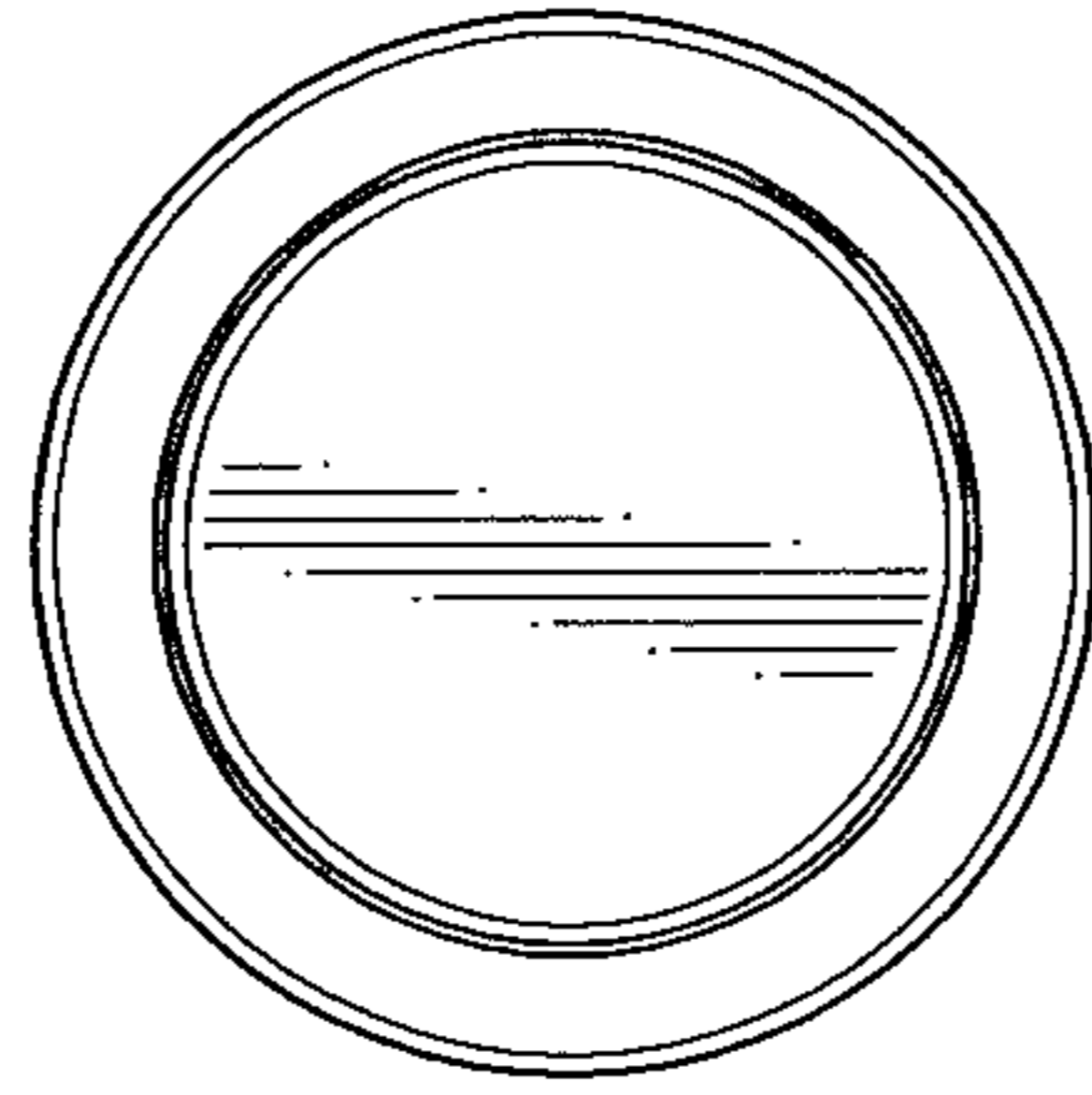


FIG.4

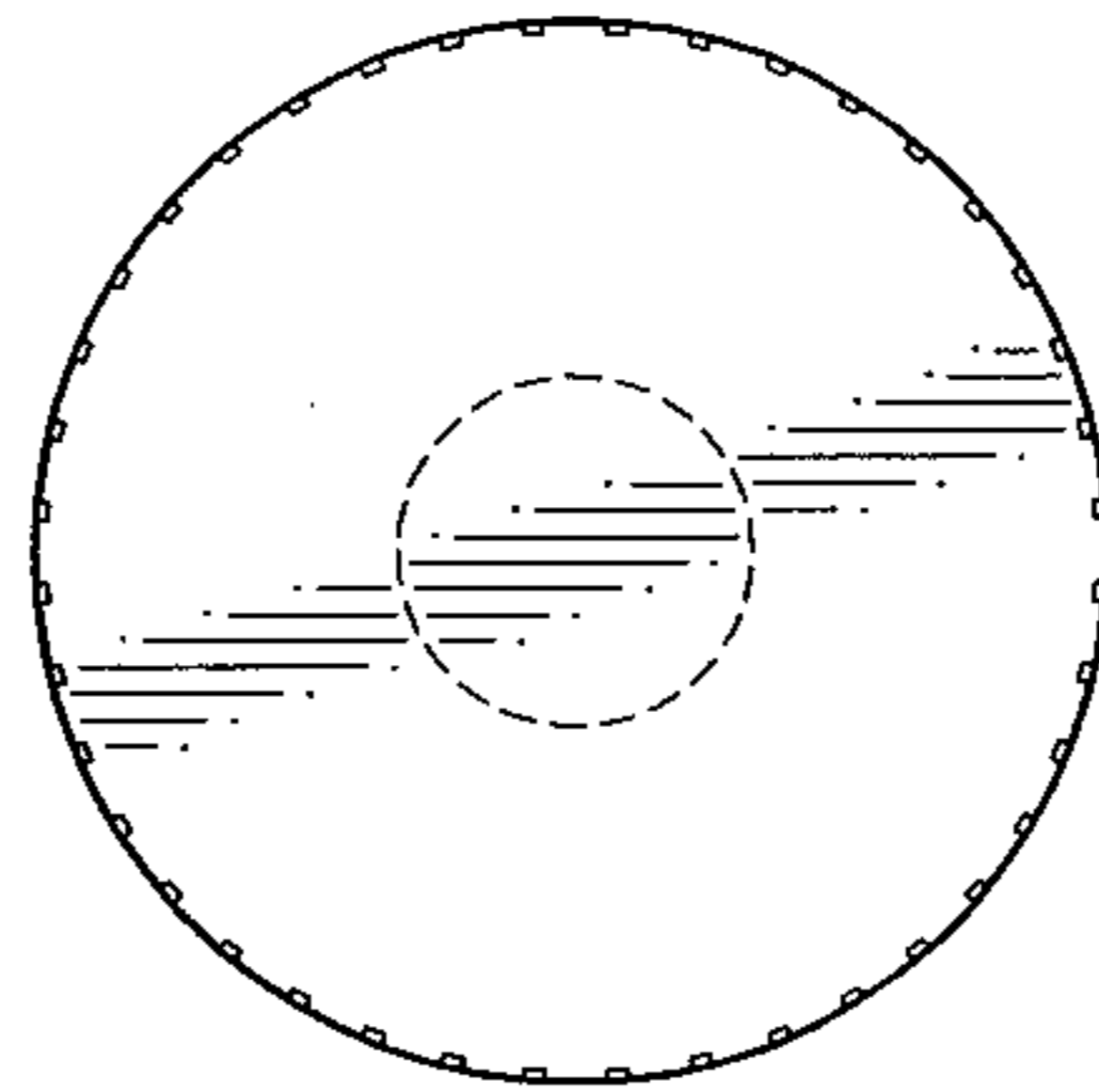


FIG.5

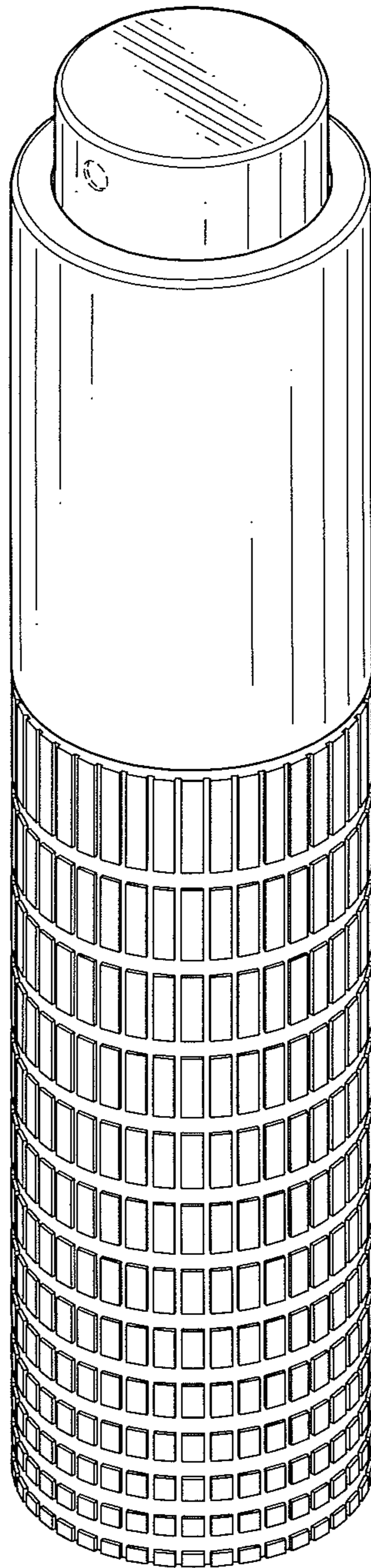


FIG.6

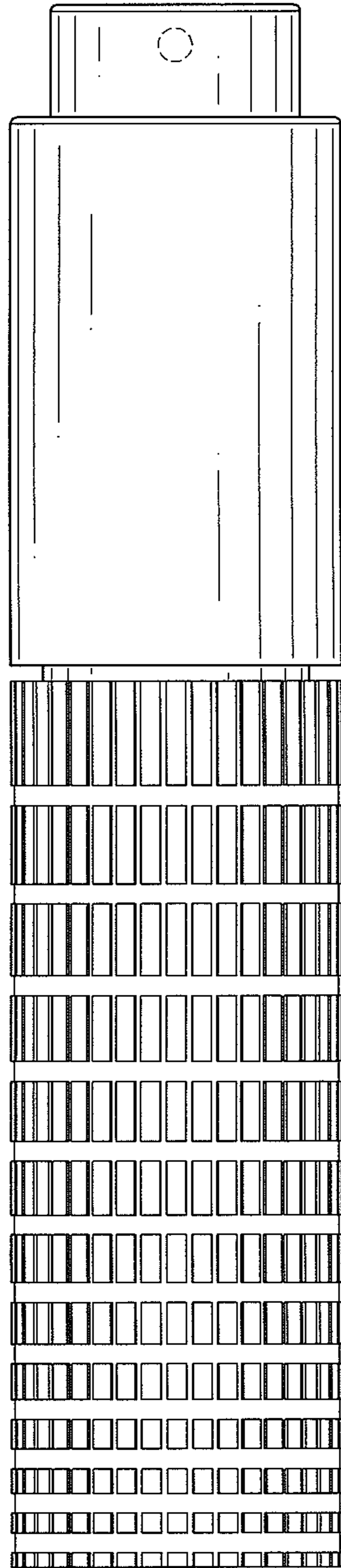


FIG.7