



US00D696954S

(12) **United States Design Patent**
Carro

(10) **Patent No.:** **US D696,954 S**
(45) **Date of Patent:** **** Jan. 7, 2014**

(54) **CONTAINER NECK**

(71) Applicant: **Laminados Facarlyte, S.A. DE C.V.**,
Tlalnepantla de Baz (MX)
(72) Inventor: **Paulo Gonzalez Carro**, Tlalnepantla de
Baz (MX)
(73) Assignee: **Laminados Facarlyte, S.A. de C.V.**,
Tlalnepantla de Baz (MX)

(**) Term: **14 Years**

(21) Appl. No.: **29/454,287**

(22) Filed: **May 8, 2013**

(30) **Foreign Application Priority Data**

Nov. 30, 2012 (MX) MX/f/2012/003830

(51) **LOC (10) Cl.** **09-01**

(52) **U.S. Cl.**
USPC **D9/516; D9/434**

(58) **Field of Classification Search**
USPC D9/434-435, 447, 500, 502-505, 516,
D9/537, 539, 549, 550, 558; D3/203.2;
D24/115, 224; 206/540, 828;
215/40-46; 222/540, 572, 574-575

See application file for complete search history.

(56) **References Cited**

U.S. PATENT DOCUMENTS

1,651,485	A *	12/1927	Thesen	222/572
1,654,239	A *	12/1927	Coup	215/46
1,753,736	A *	4/1930	Blackwell	215/46
3,632,004	A *	1/1972	Grimes et al.	215/232
D261,085	S *	10/1981	Ventura	D7/509
D264,795	S *	6/1982	Strieber	D7/318
D299,624	S *	1/1989	Rothman et al.	D11/152
D640,135	S *	6/2011	Grace	D9/503
D660,149	S *	5/2012	Grace	D9/447

* cited by examiner

Primary Examiner — Terry Wallace

Assistant Examiner — Dana L Meyrow

(74) *Attorney, Agent, or Firm* — Fish & Associates, PC

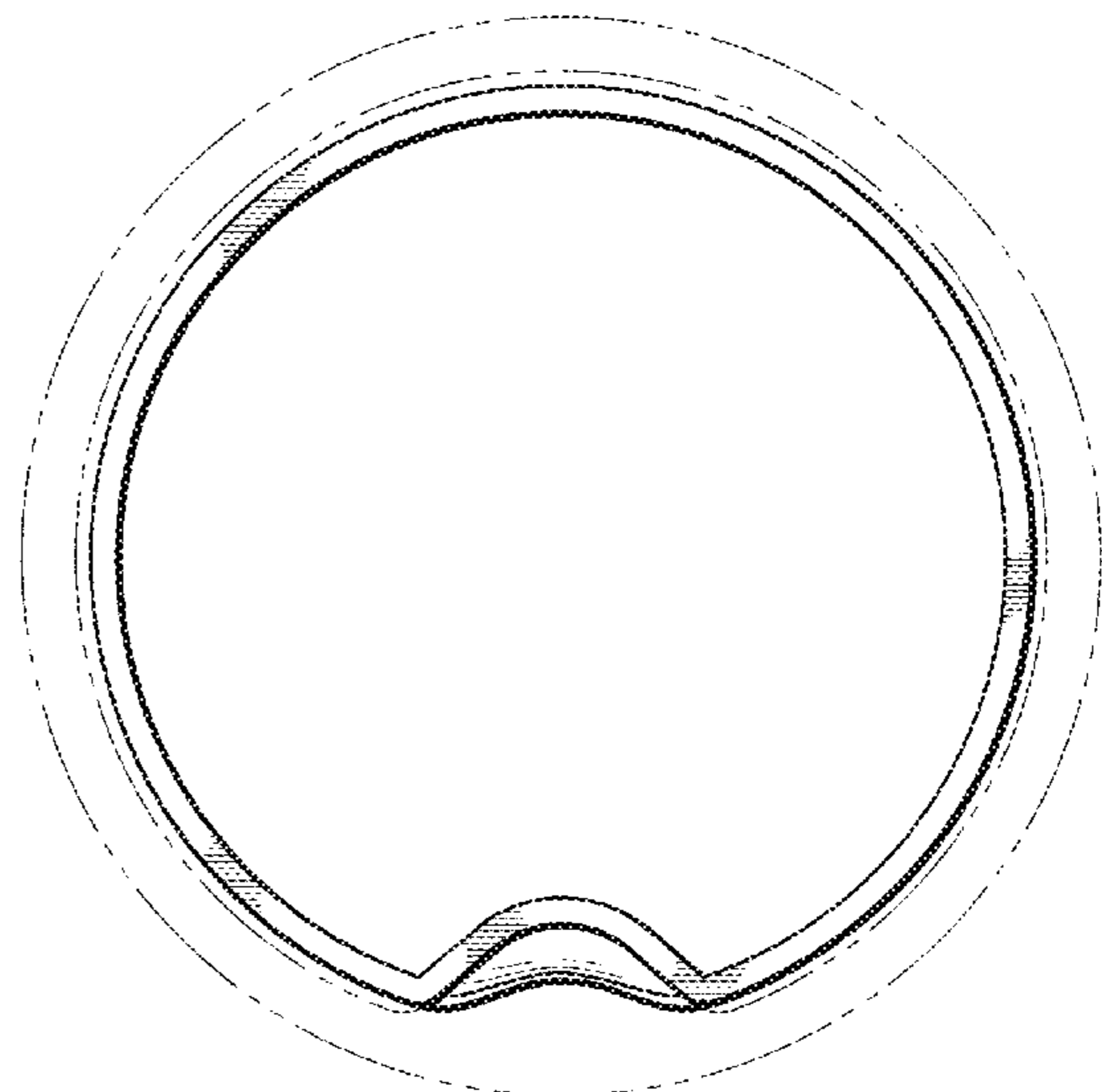
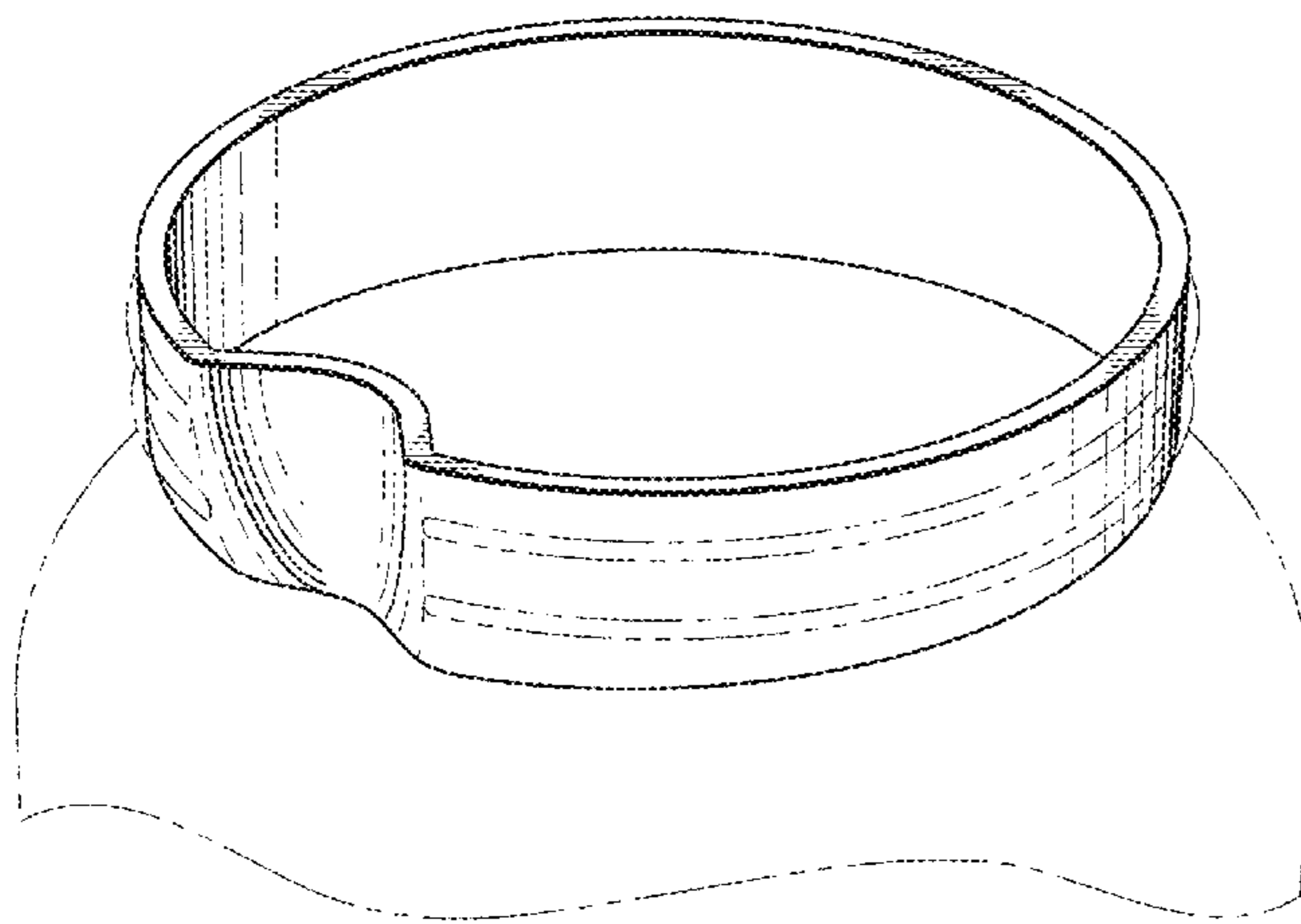
(57) **CLAIM**

The ornamental design of a container neck, as shown and described.

DESCRIPTION

FIG. 1 is a top, front, right side perspective view according to the present invention;
FIG. 2 is a top plan view thereof;
FIG. 3 is a front elevation view thereof;
FIG. 4 is a bottom plan view thereof; and,
FIG. 5 is a left side elevation view thereof.
The broken lines in the drawings illustrate the portions of the design that form no part of the claim.

1 Claim, 2 Drawing Sheets



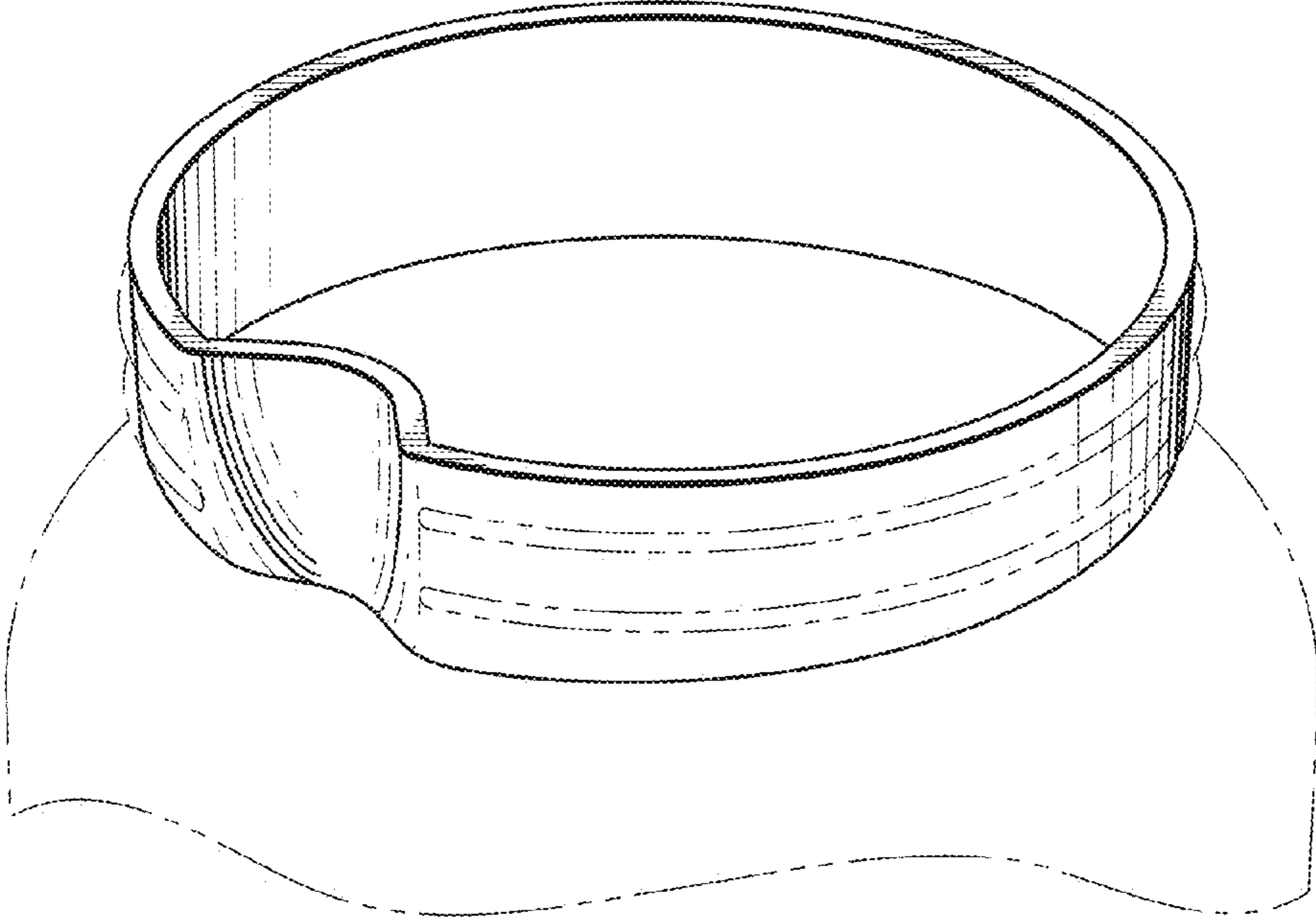


FIG. 1

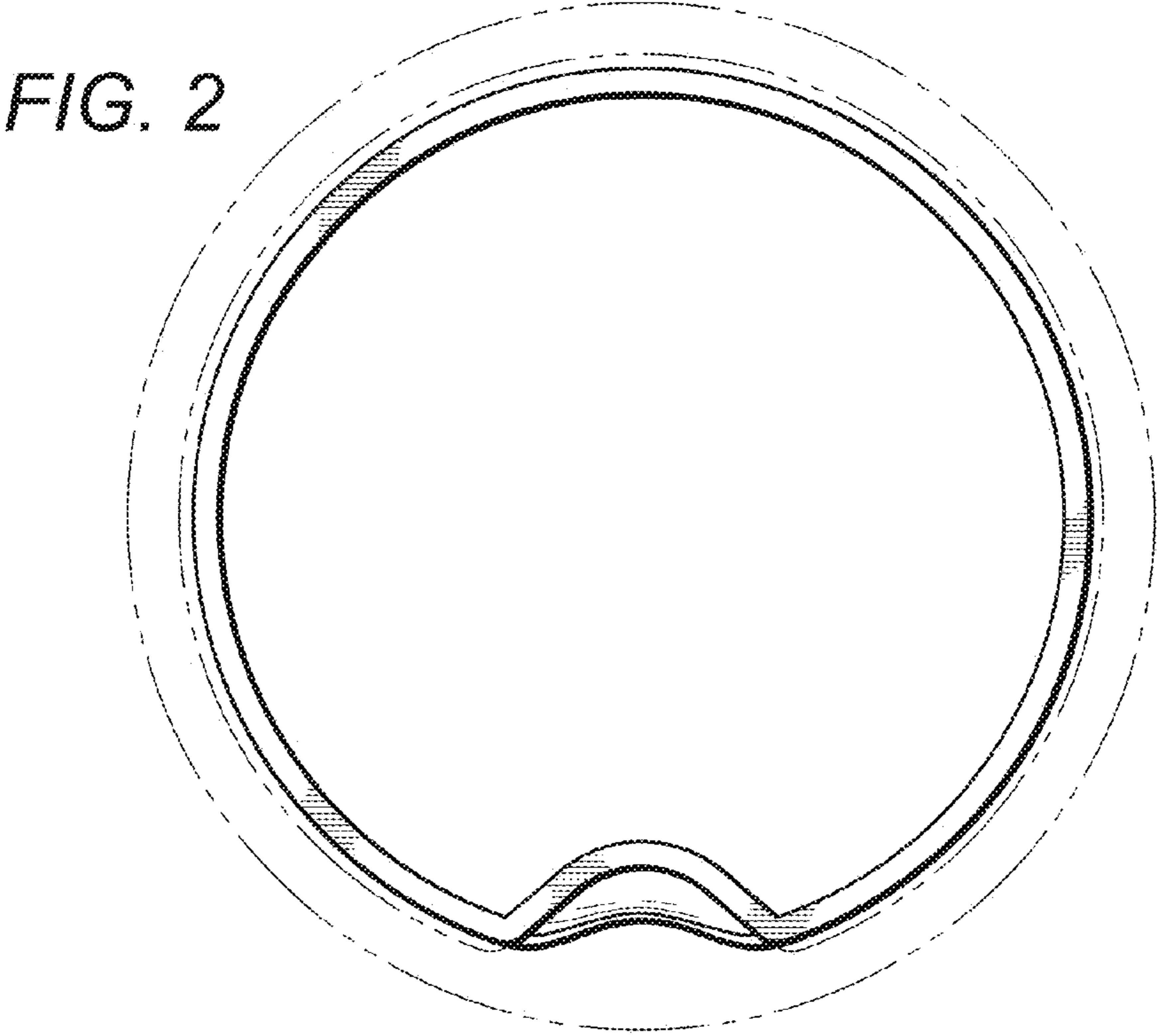


FIG. 2

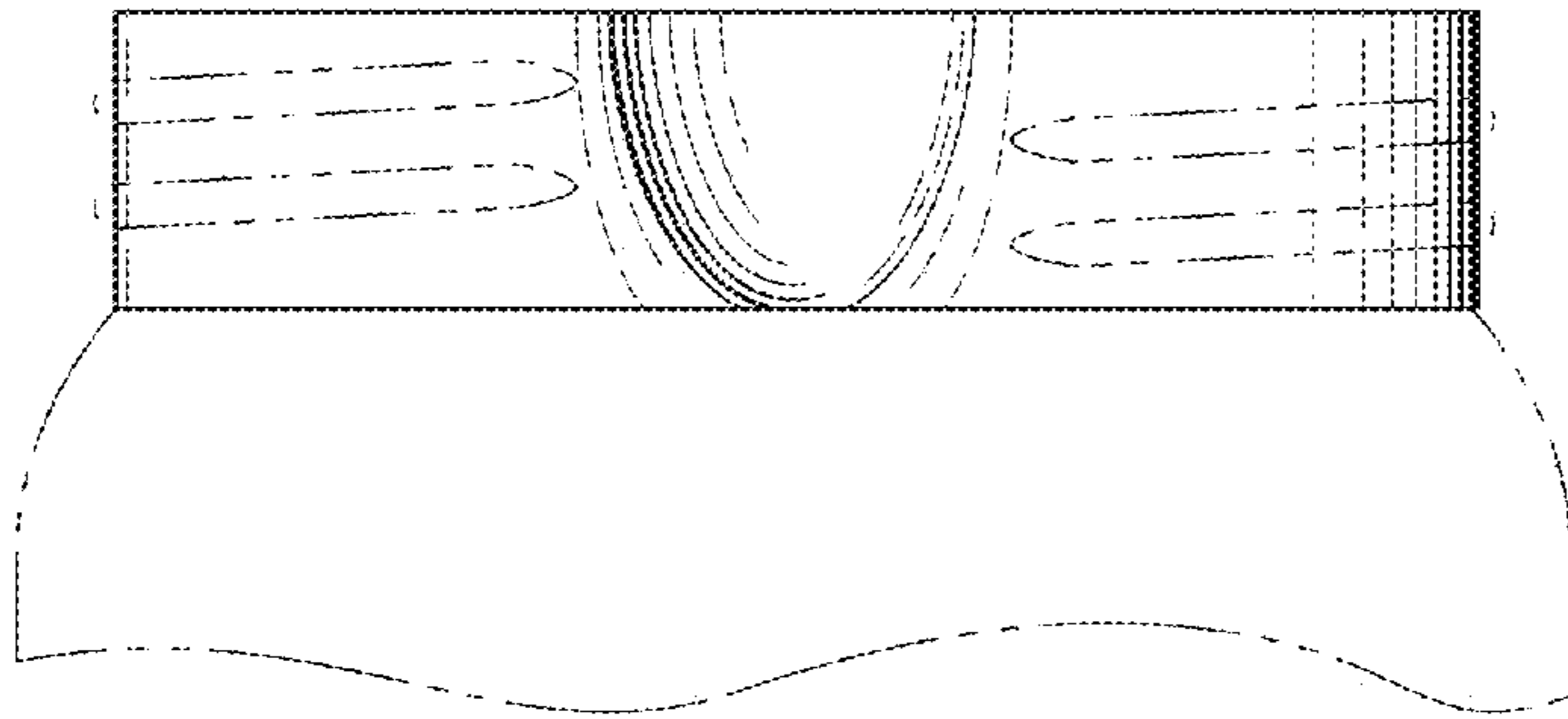


FIG. 3

FIG. 4

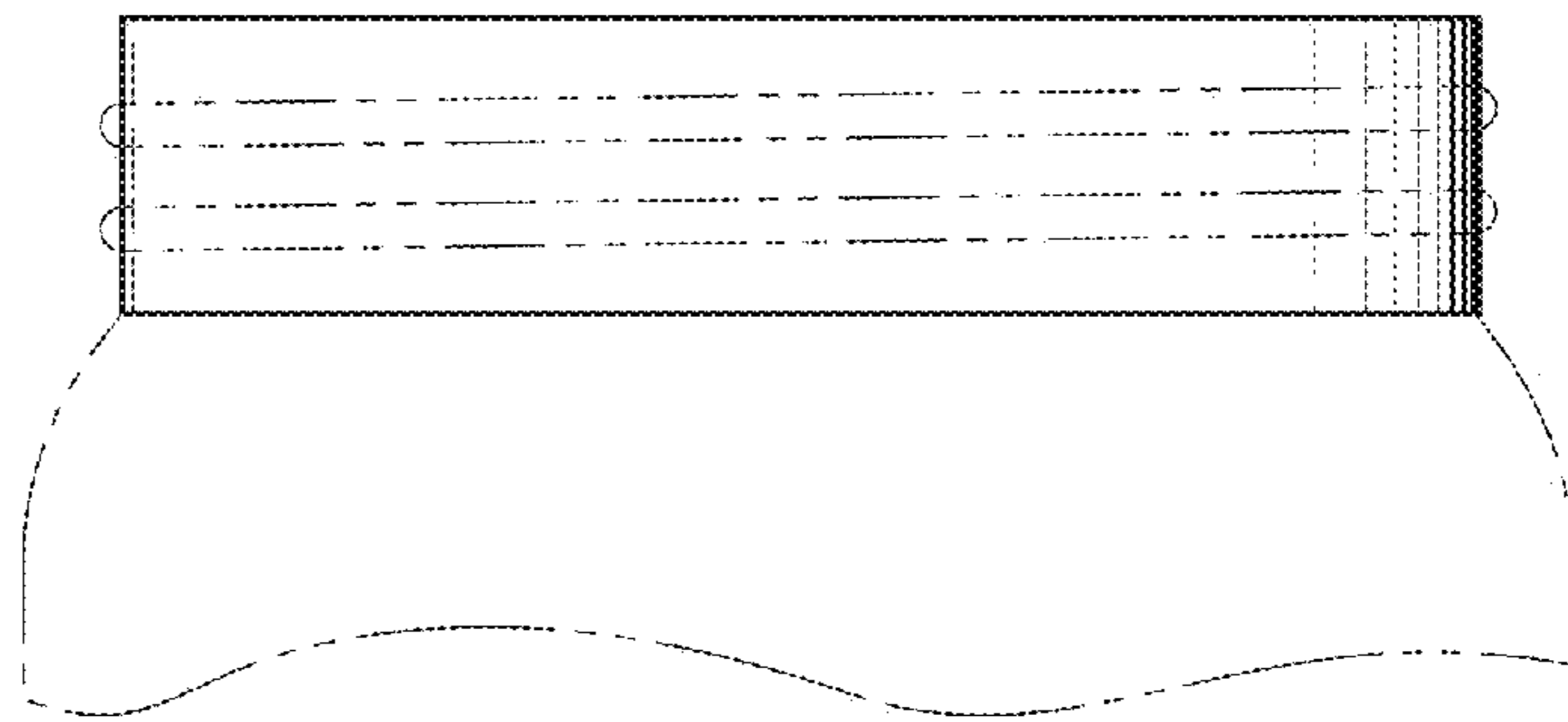


FIG. 5

