



US00D696952S

(12) **United States Design Patent**
Sawicki et al.

(10) **Patent No.:** **US D696,952 S**
(45) **Date of Patent:** **** Jan. 7, 2014**

- (54) **SCOOP BOTTLE NECK**
- (71) Applicant: **TricorBraun Inc.**, St. Louis, MO (US)
- (72) Inventors: **Craig Sawicki**, Roselle, IL (US);
Gerald Christian, Hobart, IN (US)
- (73) Assignee: **TricorBraun, Inc.**, St. Louis, MO (US)
- (**) Term: **14 Years**
- (21) Appl. No.: **29/438,628**
- (22) Filed: **Nov. 30, 2012**
- (51) **LOC (10) Cl.** **09-01**
- (52) **U.S. Cl.**
USPC **D9/516; D9/523**
- (58) **Field of Classification Search**
USPC D9/505, 516, 518, 523, 527-528, 544,
D9/546, 550, 560, 563, 572-575, 414, 416,
D9/432, 434-435, 682; 215/379-382, 400
See application file for complete search history.

- D524,656 S * 7/2006 Baron D9/516
- D527,647 S * 9/2006 Blank D9/563
- D587,118 S * 2/2009 Sadiq et al. D9/516
- D619,466 S * 7/2010 Synder D9/523

* cited by examiner

Primary Examiner — Wan Laymon

(74) *Attorney, Agent, or Firm* — H. Frederick Rusche;
Husch Blackwell LLP

(57) **CLAIM**

We claim the ornamental design for a scoop bottle neck, as shown and described.

DESCRIPTION

FIG. 1 is a top, front and right side perspective view of a scoop bottle neck showing the new design;
 FIG. 2 is a front view thereof;
 FIG. 3 is a back view thereof;
 FIG. 4 is a left side view thereof;
 FIG. 5 is a right side view thereof;
 FIG. 6 is a top view thereof;
 FIG. 7 is a top perspective thereof showing a scoop positioned with the neck; and,
 FIG. 8 is a cross-sectional view thereof, taken along the line 8-8 in FIG. 7.

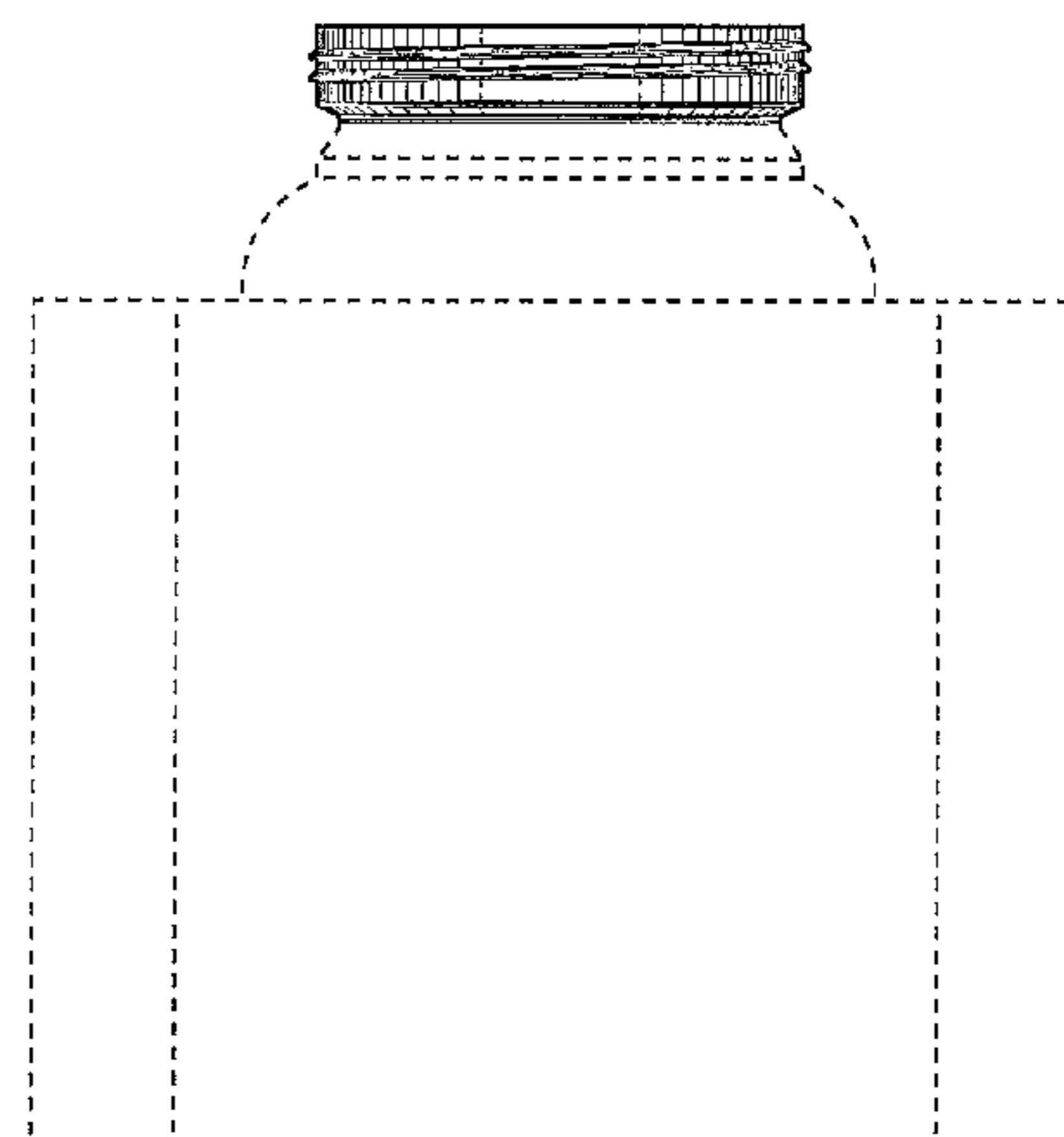
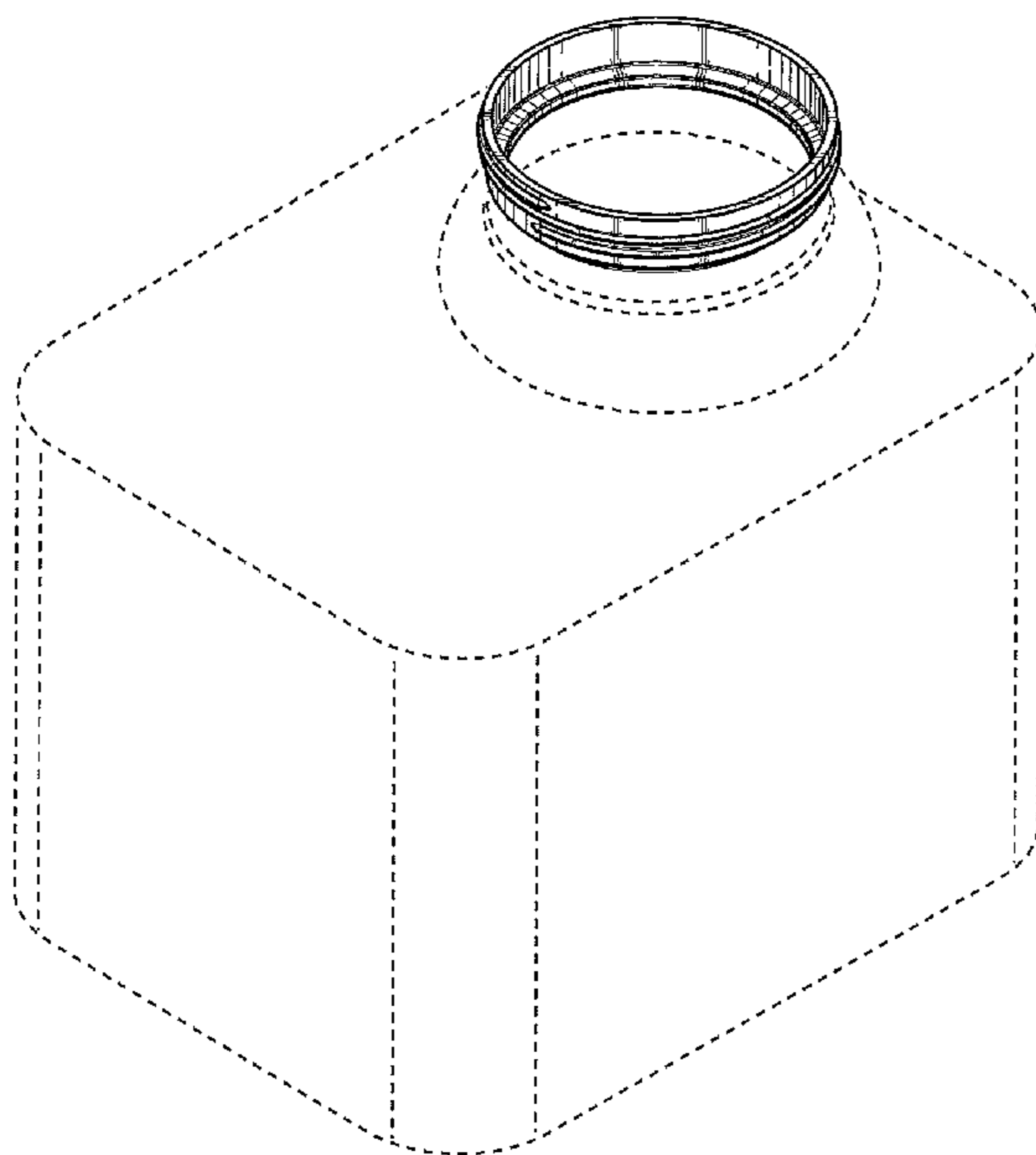
The broken lines shown in the drawing views are included for the purpose of showing environmental structure that forms no part of the claimed design.

1 Claim, 6 Drawing Sheets

(56) **References Cited**

U.S. PATENT DOCUMENTS

- D86,712 S * 4/1932 Fuerst D9/523
- D98,899 S * 3/1936 Werts D9/516
- D269,948 S * 8/1983 Janssen D9/523
- D388,708 S * 1/1998 Monaghan D9/523
- D467,812 S * 12/2002 Roberts et al. D9/516



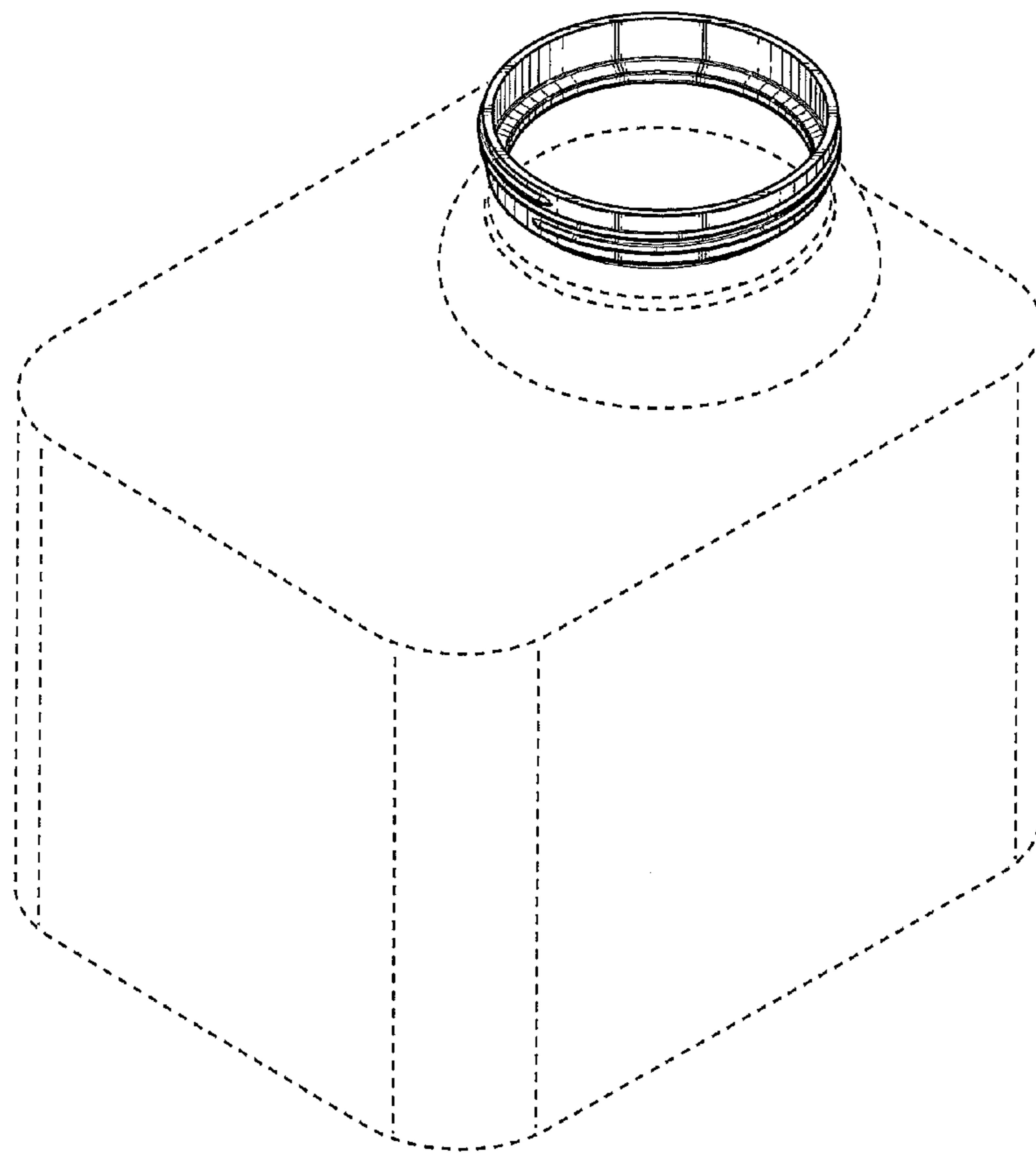


FIG. 1

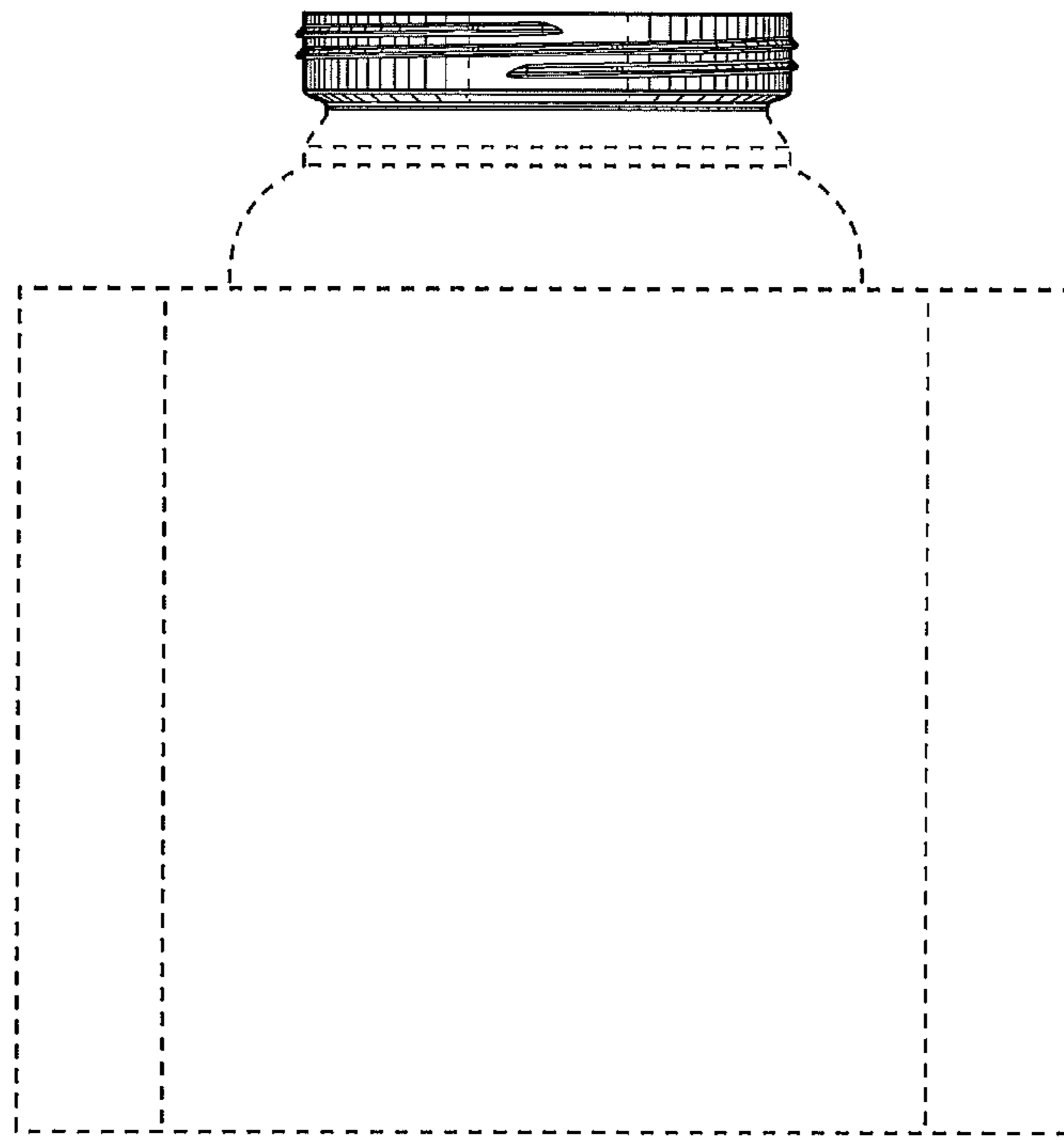


FIG. 2

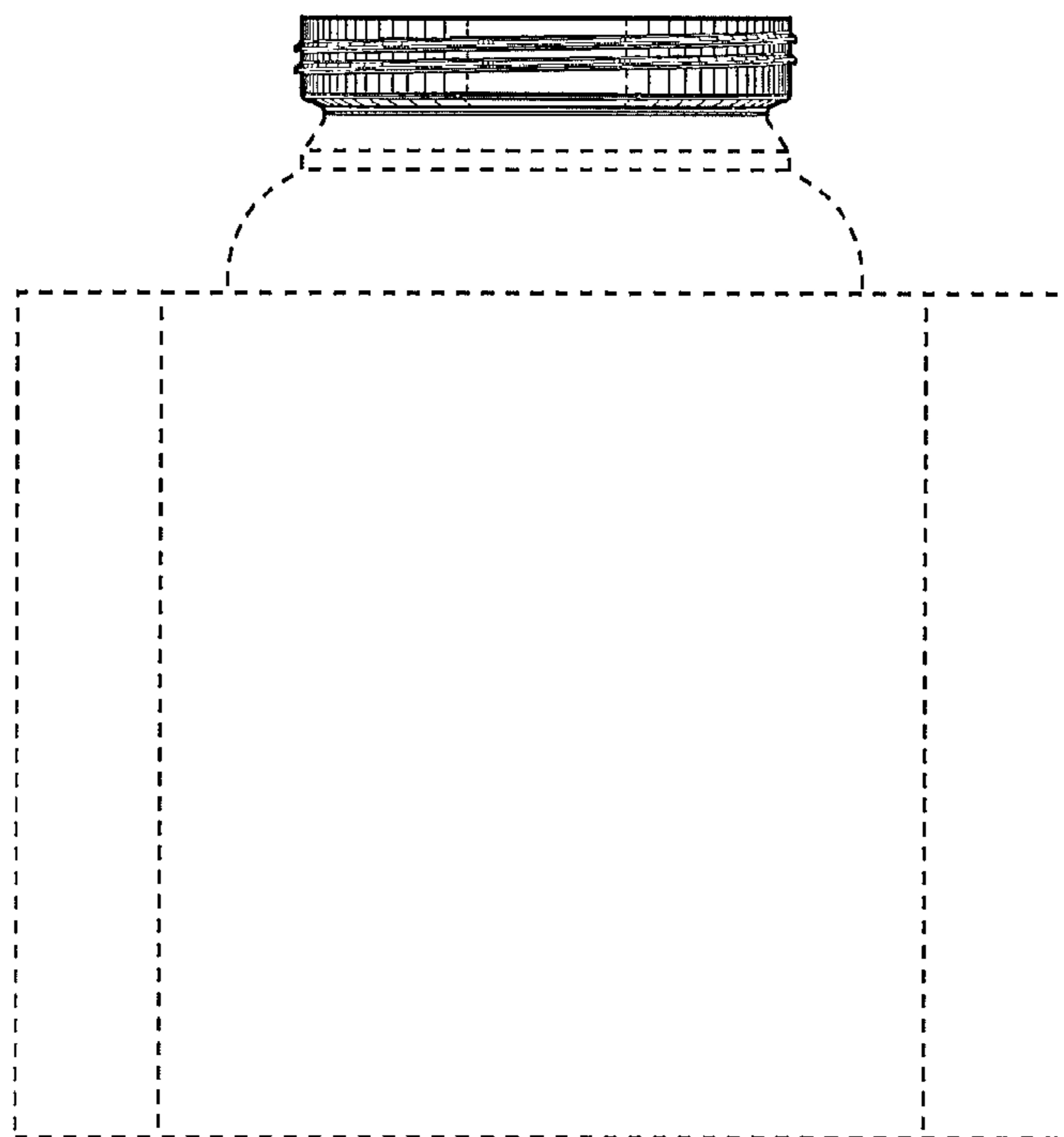


FIG. 3

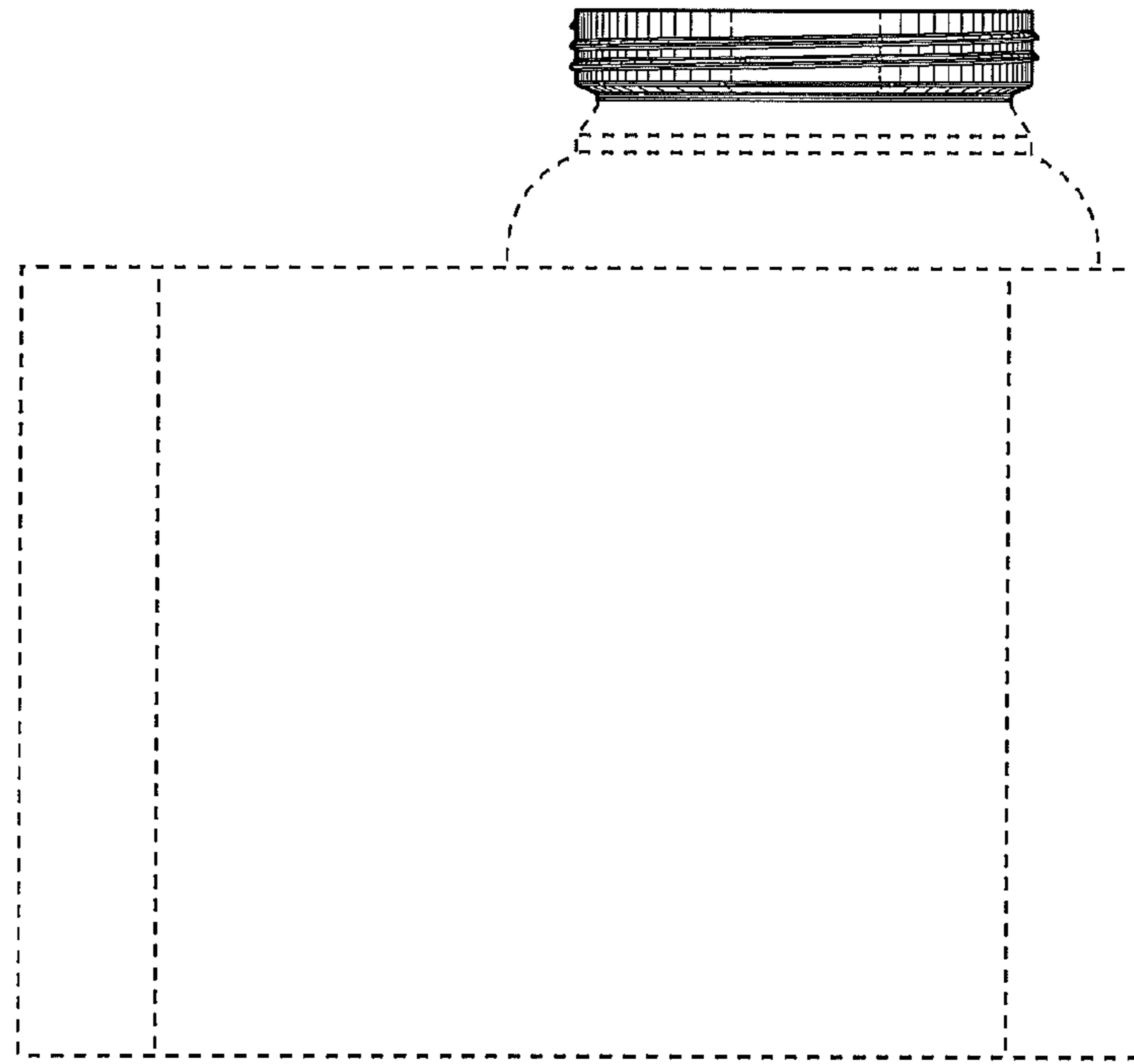


FIG. 4

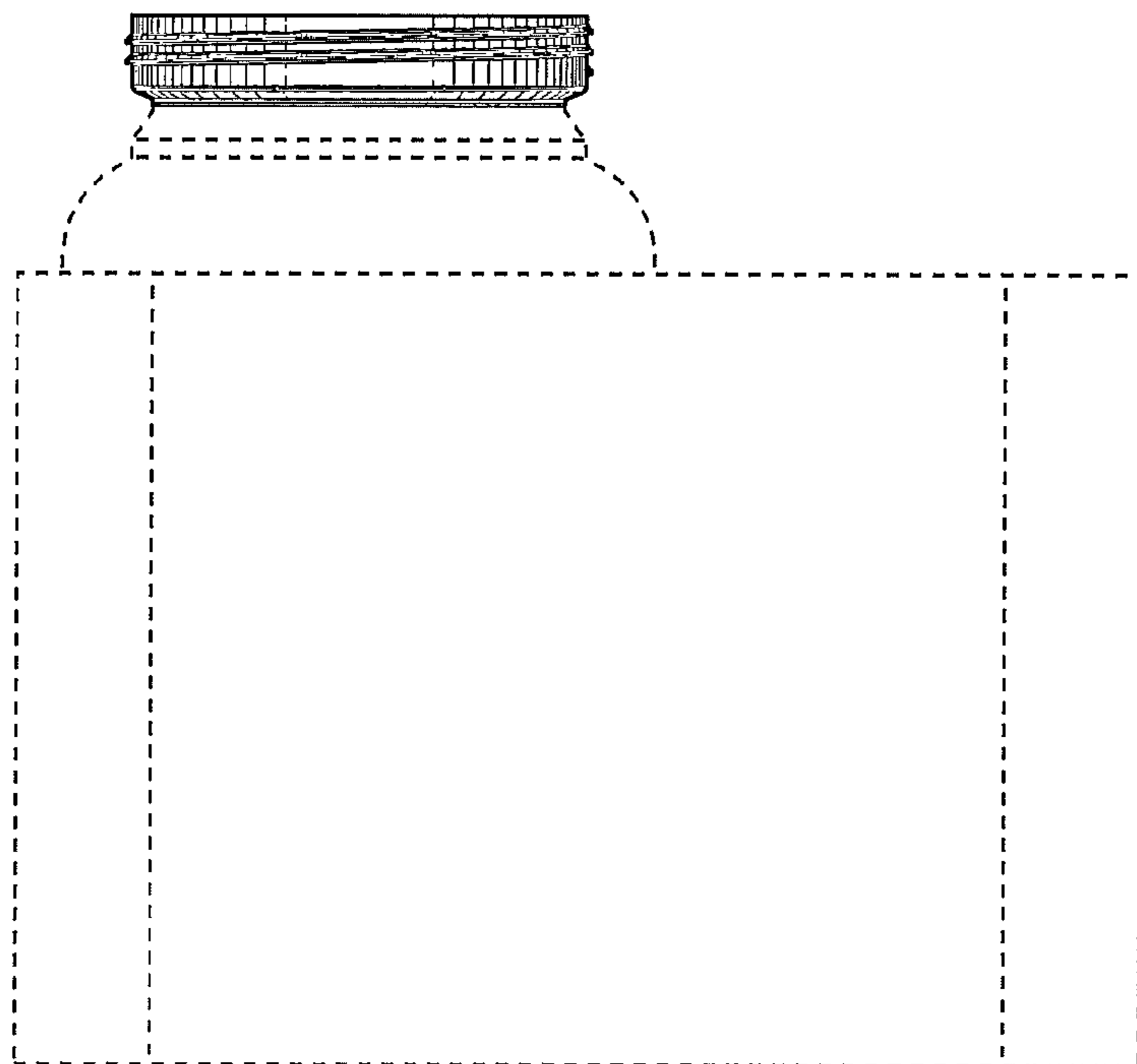


FIG. 5

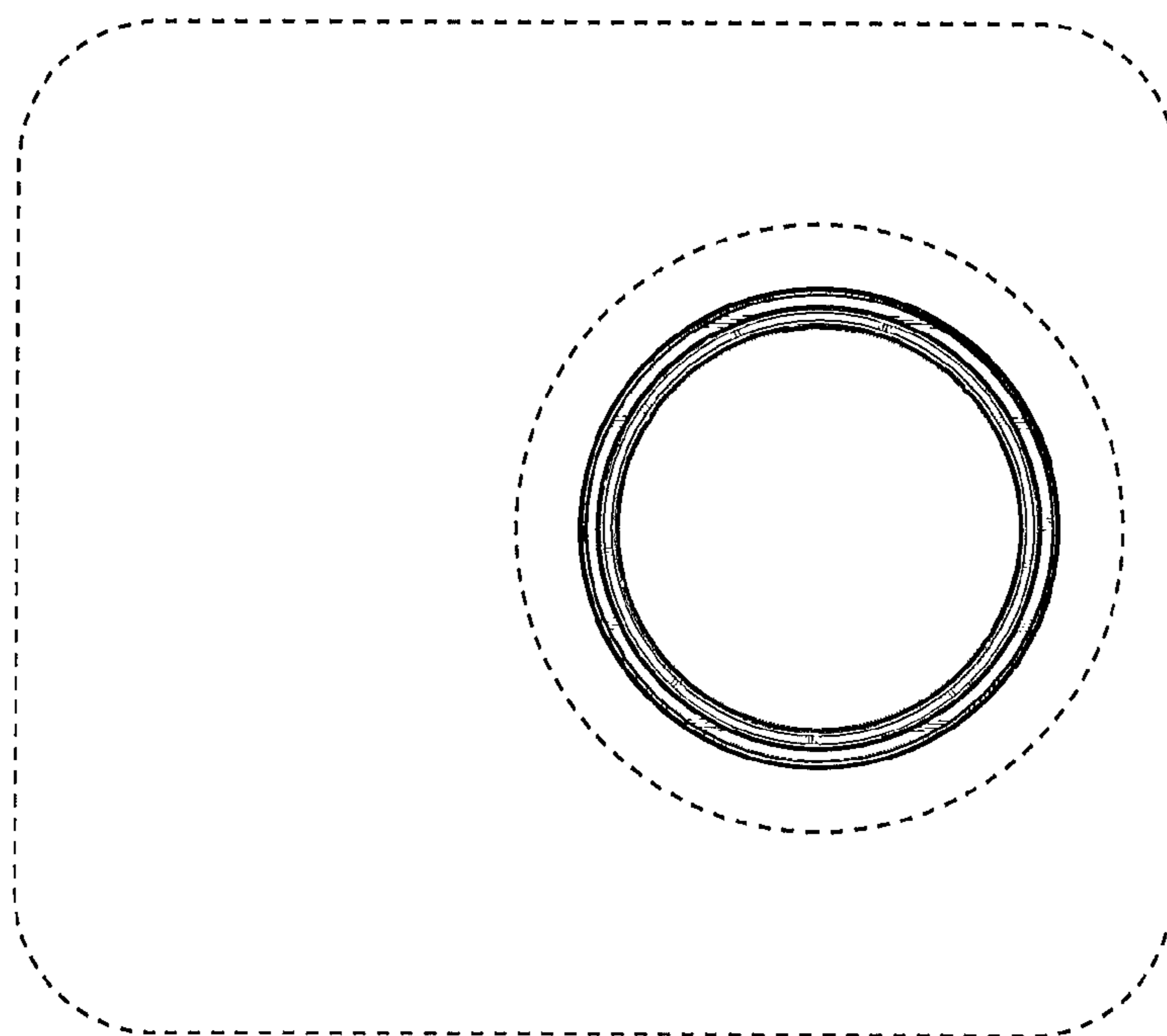


FIG. 6

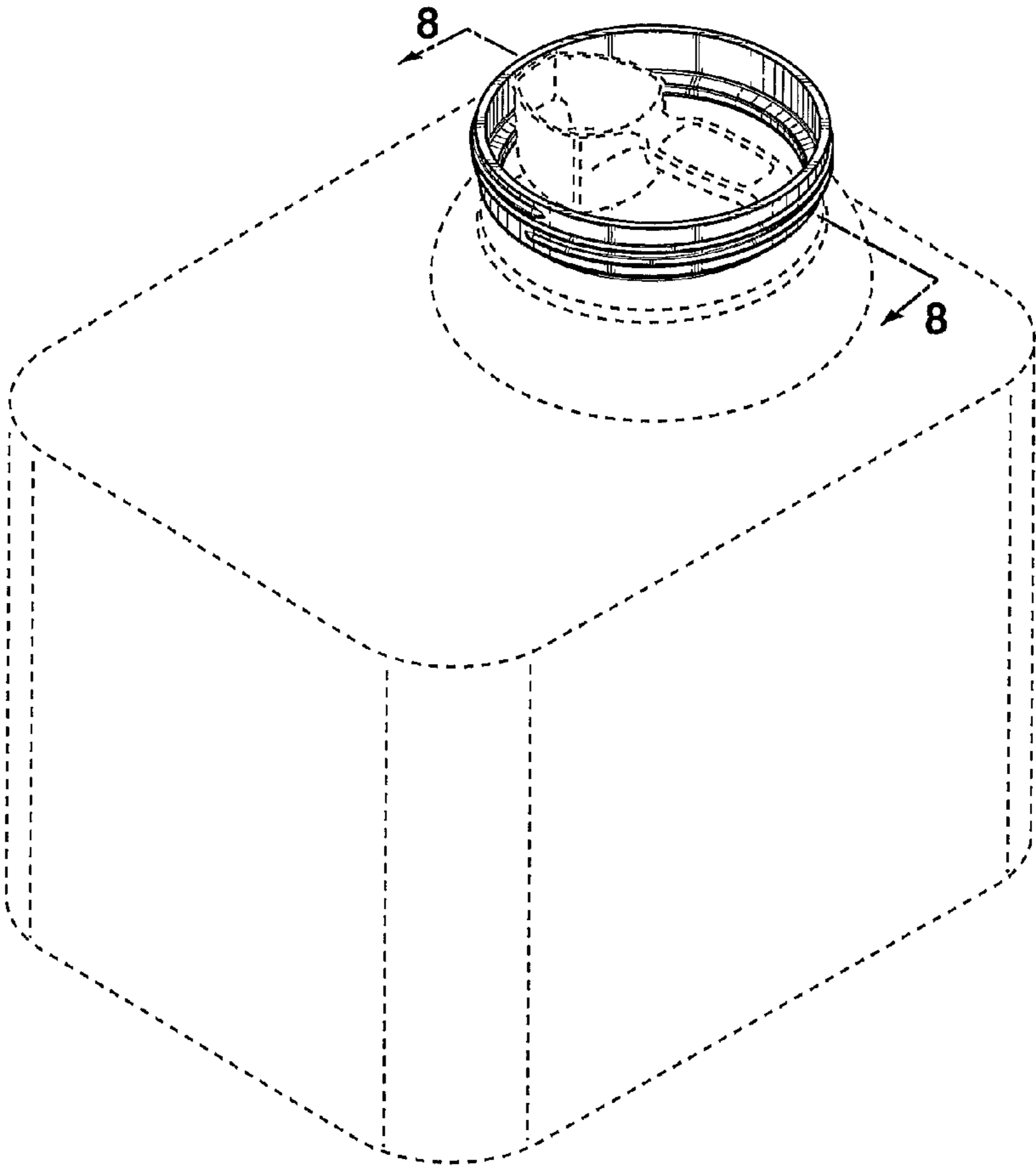


FIG. 7

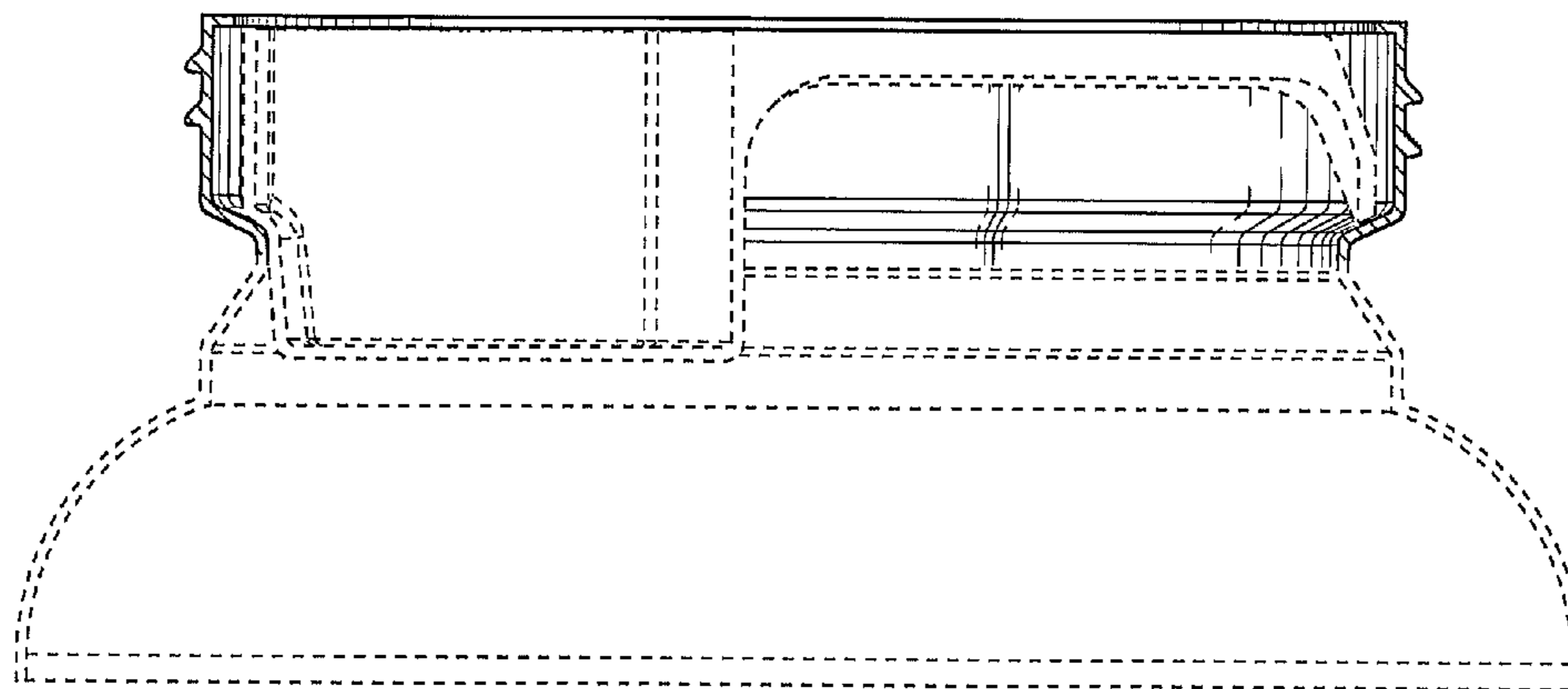


FIG. 8