



US00D696949S

(12) **United States Design Patent**  
**Reeber et al.**

(10) **Patent No.:** **US D696,949 S**  
(45) **Date of Patent:** **\*\* Jan. 7, 2014**

(54) **BOTTLE**

(75) Inventors: **Margaret Reeber**, Columbus, OH (US);  
**Mark Borger**, York, PA (US); **Michael**  
**Stephan**, Lititz, PA (US); **Wayne**  
**Perring**, York, PA (US); **Jacob E.**  
**Lewis**, Westerville, OH (US); **David**  
**Heisner**, York, PA (US)

(73) Assignee: **Abbott Laboratories**, Abbott Park, IL  
(US)

(\*\*) Term: **14 Years**

(21) Appl. No.: **29/394,976**

(22) Filed: **Jun. 23, 2011**

(51) **LOC (10) Cl.** ..... **09-01**

(52) **U.S. Cl.**  
USPC ..... **D9/516; D9/552**

(58) **Field of Classification Search**  
USPC ..... D9/683, 773, 775, 516, 522, 529, 538,  
D9/541, 549, 552, 556, 558, 565,  
D9/574-575; 215/381-385; 220/660,  
220/666-667, 669  
See application file for complete search history.

(56) **References Cited**

U.S. PATENT DOCUMENTS

D20,059 S	7/1890	Irwin	
D56,029 S *	8/1920	Quigg	D9/537
D67,468 S *	6/1925	Mas	D9/538
D73,226 S *	8/1927	Fox	D9/538
D120,277 S *	4/1940	Steelman	D9/552
D167,345 S *	7/1952	Fuerst	D9/552
D174,646 S *	5/1955	Lorenzen	D9/552
D216,361 S *	12/1969	Pappas	D9/538
D264,433 S *	5/1982	Pettengill	D9/545 X
D264,434 S *	5/1982	Pettengill	D9/545

D286,617 S *	11/1986	Goodwin et al.	D9/538
D380,356 S *	7/1997	Husted	D7/679
D407,317 S *	3/1999	Lang	D9/538
D479,131 S *	9/2003	Warner et al.	D9/538
D489,268 S *	5/2004	Wang	D9/522
D495,601 S *	9/2004	Klemm et al.	D9/516
D495,608 S *	9/2004	Klemm et al.	D9/552
D514,938 S *	2/2006	Zhang	D9/516
D548,095 S *	8/2007	McGuinness	D9/529
D552,476 S *	10/2007	Yelland	D9/538
7,467,725 B2 *	12/2008	Tanaka et al.	215/381
7,604,140 B2 *	10/2009	Pritchett et al.	215/381
D675,535 S *	2/2013	Nomura et al.	D9/552
2002/0000421 A1 *	1/2002	Ota et al.	215/381
2007/0068894 A1 *	3/2007	Iwashita et al.	215/382
2011/0108515 A1 *	5/2011	Gill et al.	215/382 X

\* cited by examiner

*Primary Examiner* — Carol P Rademaker

(57) **CLAIM**

The ornamental design for bottle, as shown and described.

**DESCRIPTION**

FIG. 1 is a top, right side perspective view of a first embodiment of a bottle of our new design;  
FIG. 2 is a front elevational view thereof;  
FIG. 3 is a rear elevational view thereof;  
FIG. 4 is a right side elevational view thereof;  
FIG. 5 is a left side elevational view thereof;  
FIG. 6 is a top, right side perspective view of a second embodiment of the bottle of our new design;  
FIG. 7 is a front elevational view thereof;  
FIG. 8 is a rear elevational view thereof;  
FIG. 9 is a right side elevational view thereof; and,  
FIG. 10 is a left side elevational view thereof.  
The broken lines shown in the drawings are included for the purpose of illustrating environmental structure and form no part of the claimed design.

**1 Claim, 10 Drawing Sheets**

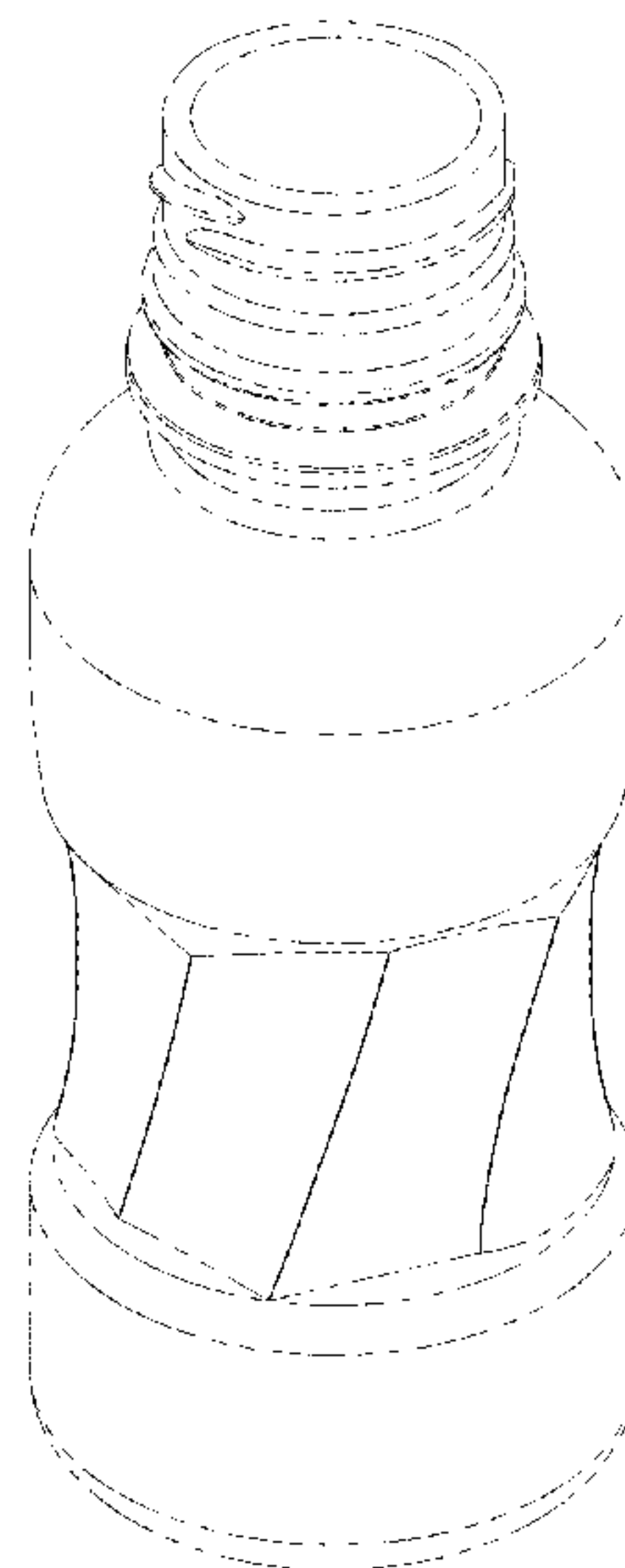
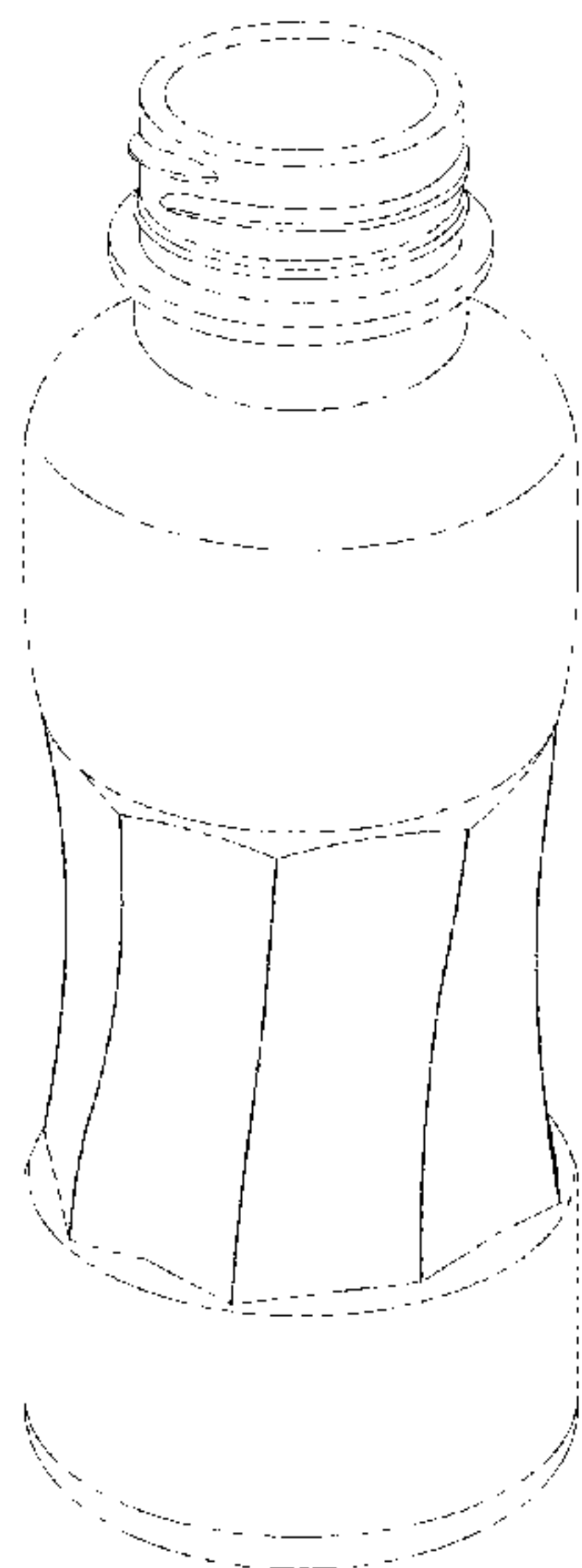


FIG. 1

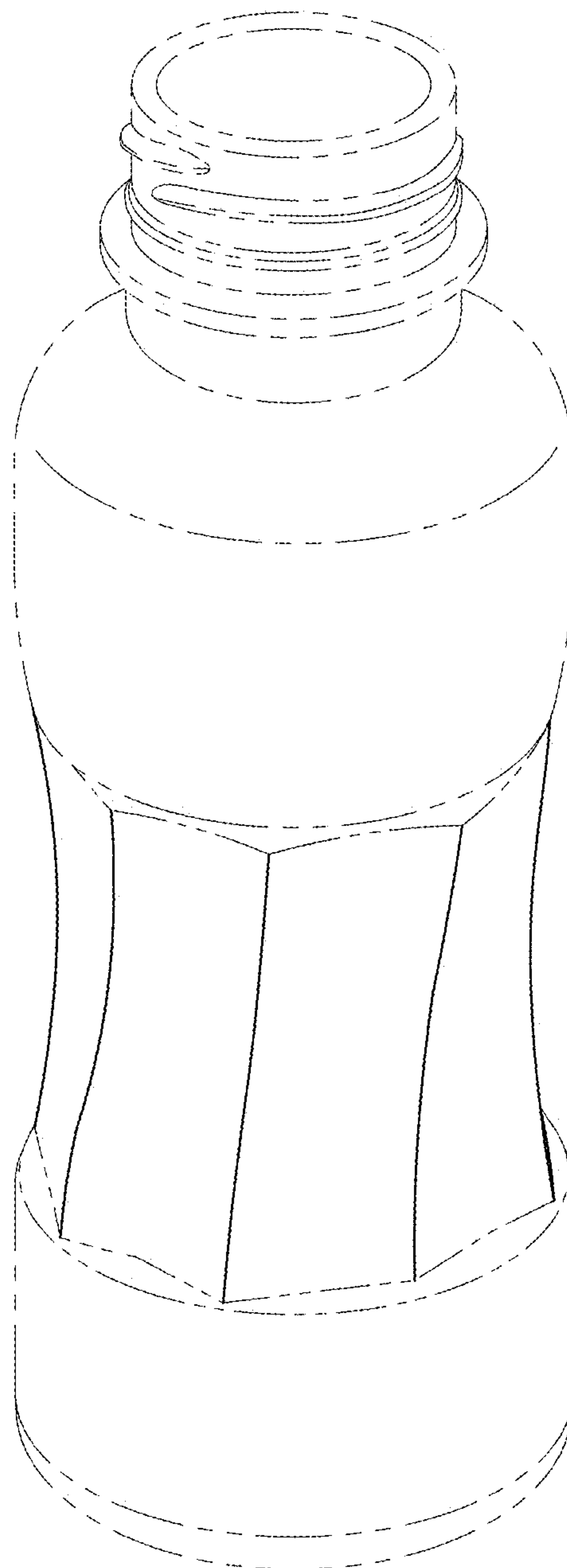


FIG. 2

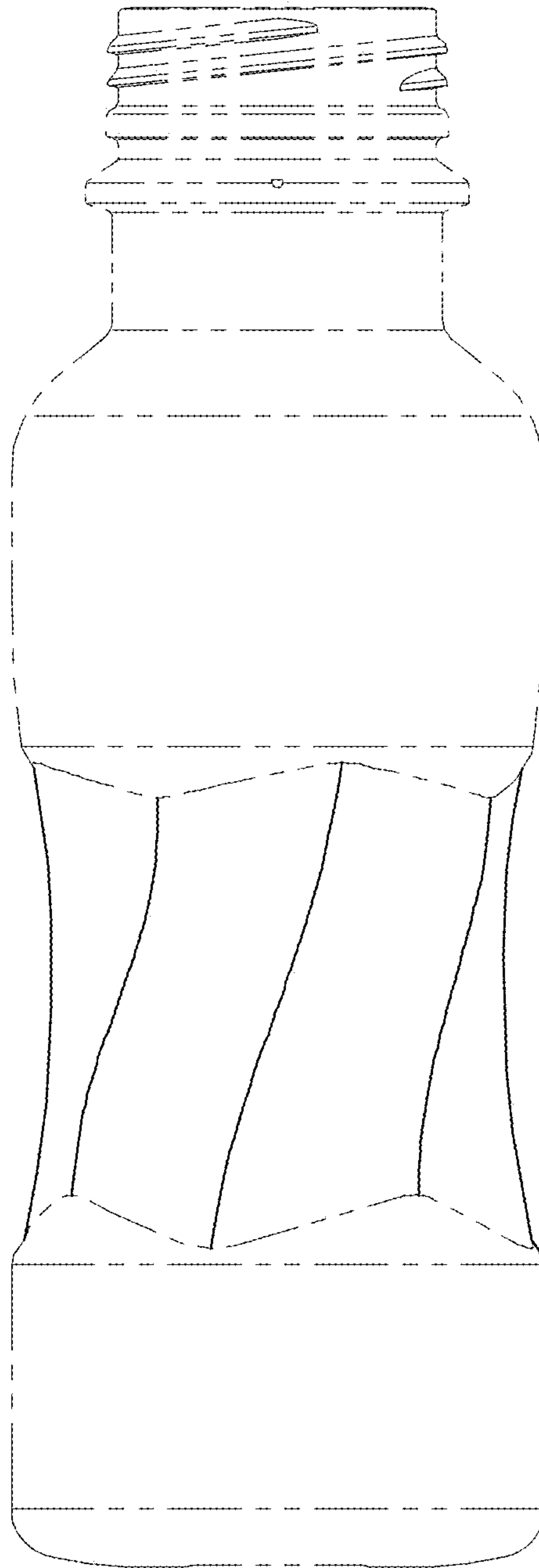


FIG. 3

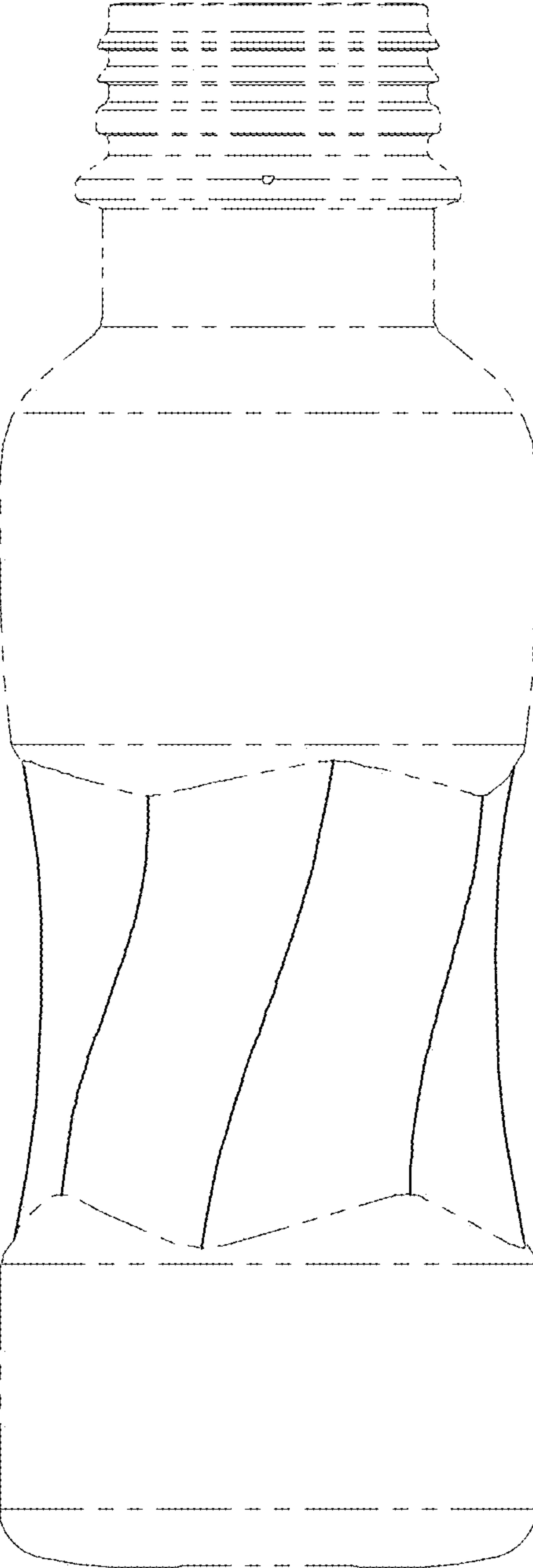


FIG. 4

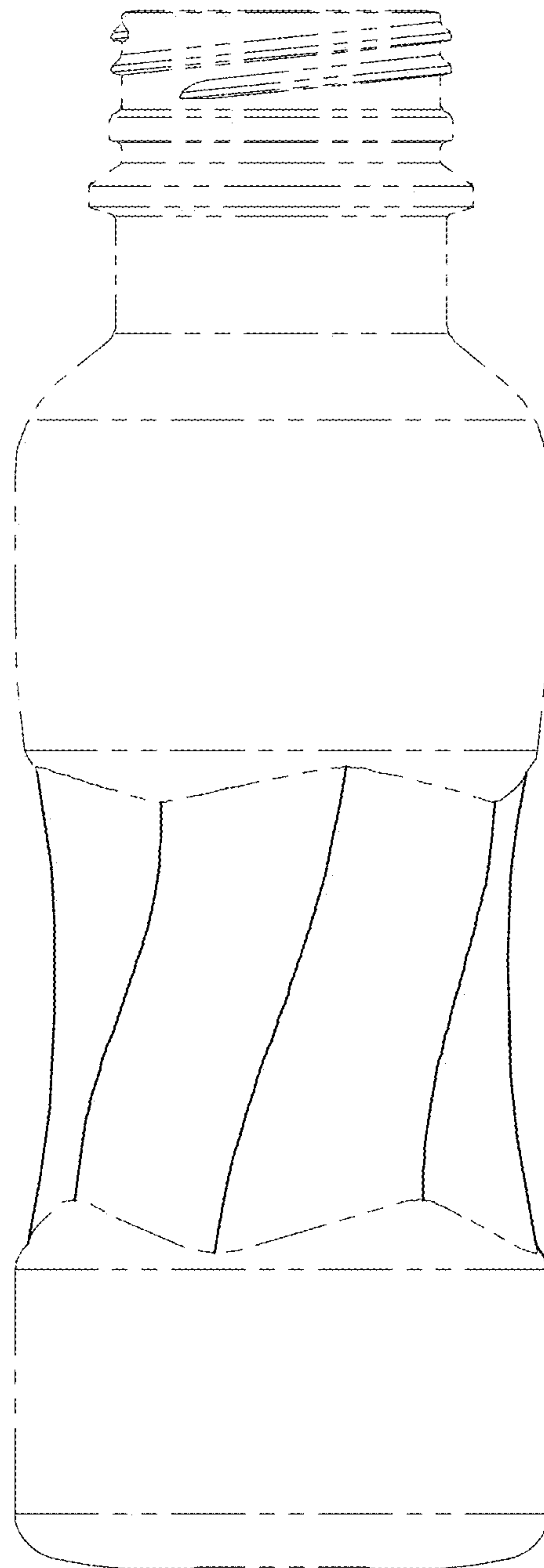


FIG. 5

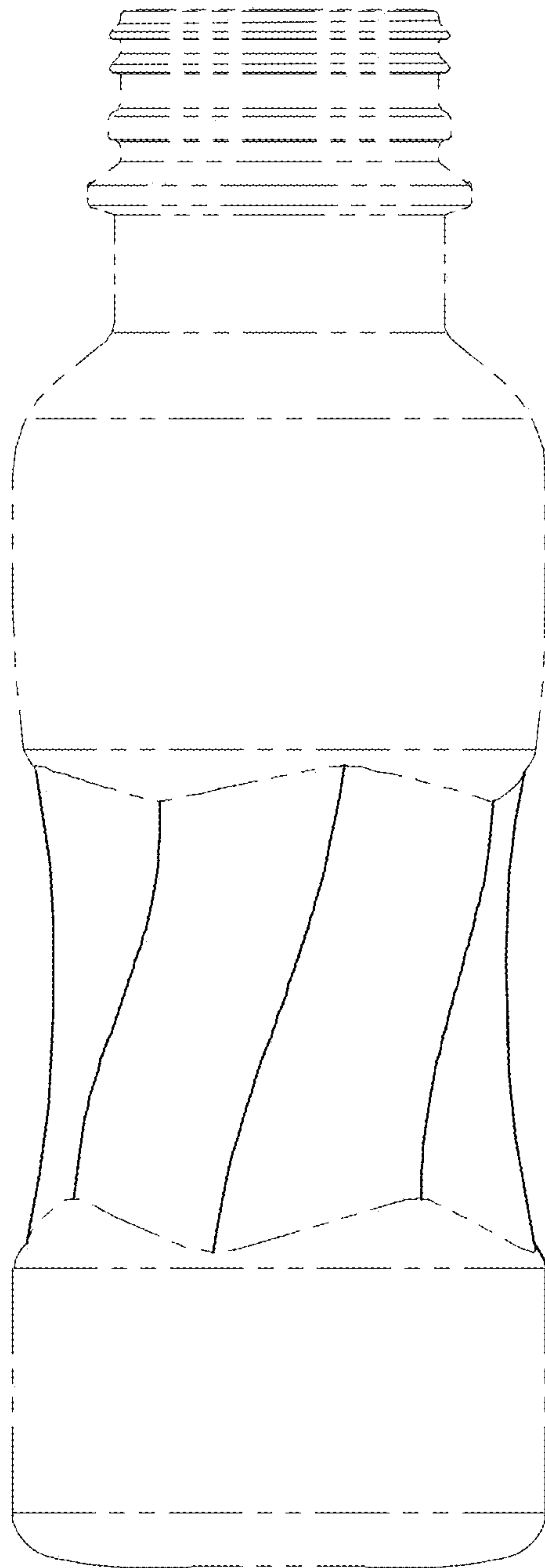


FIG. 6

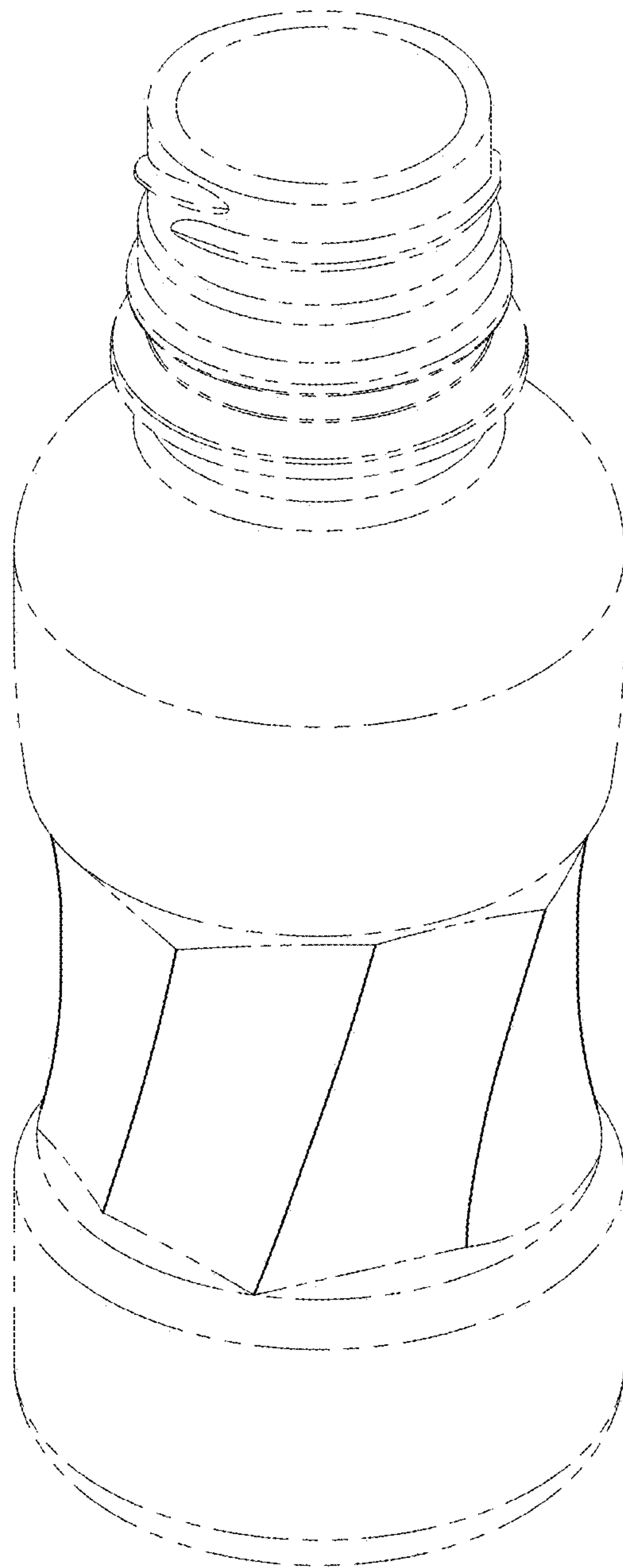


FIG. 7

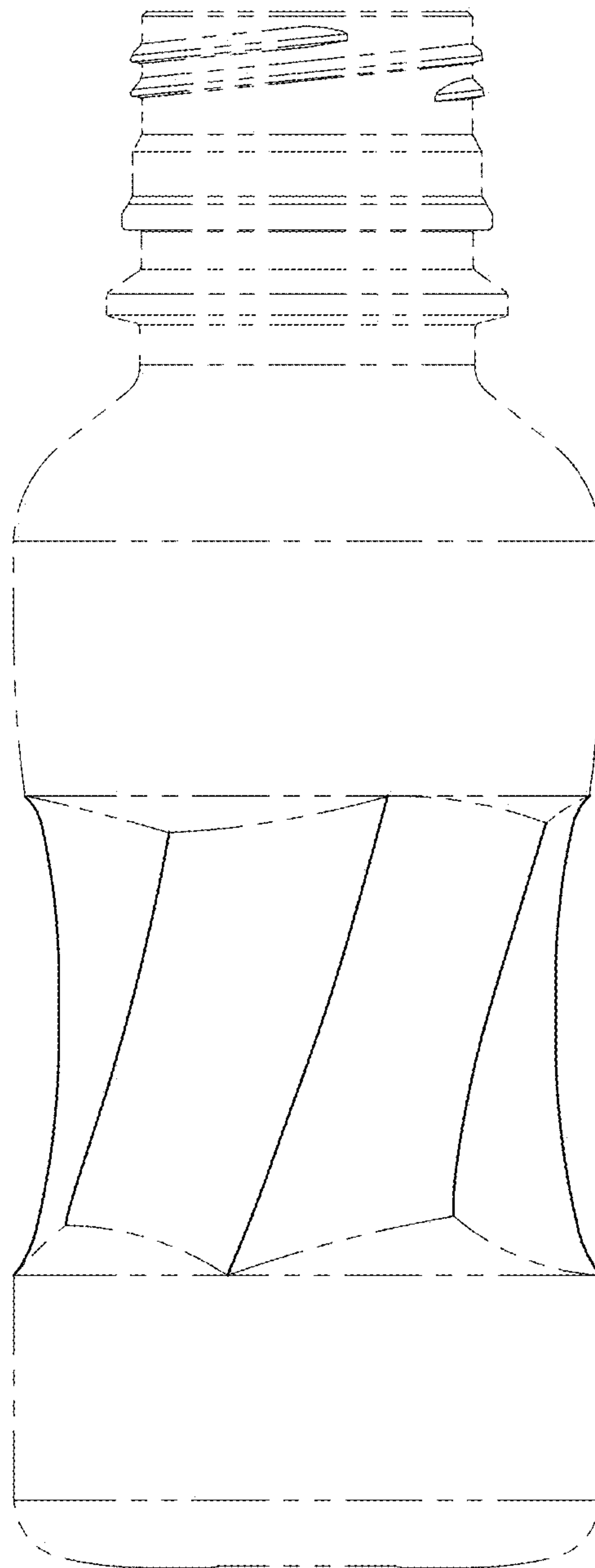




FIG. 8

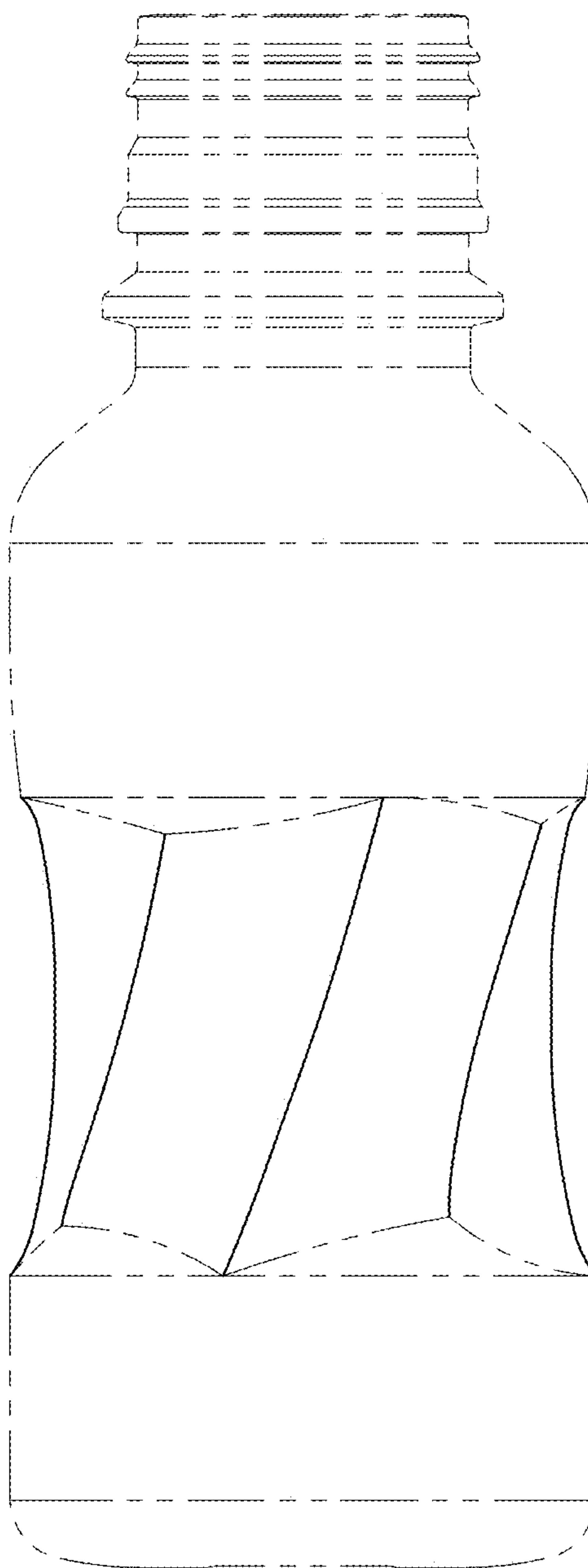


FIG. 9

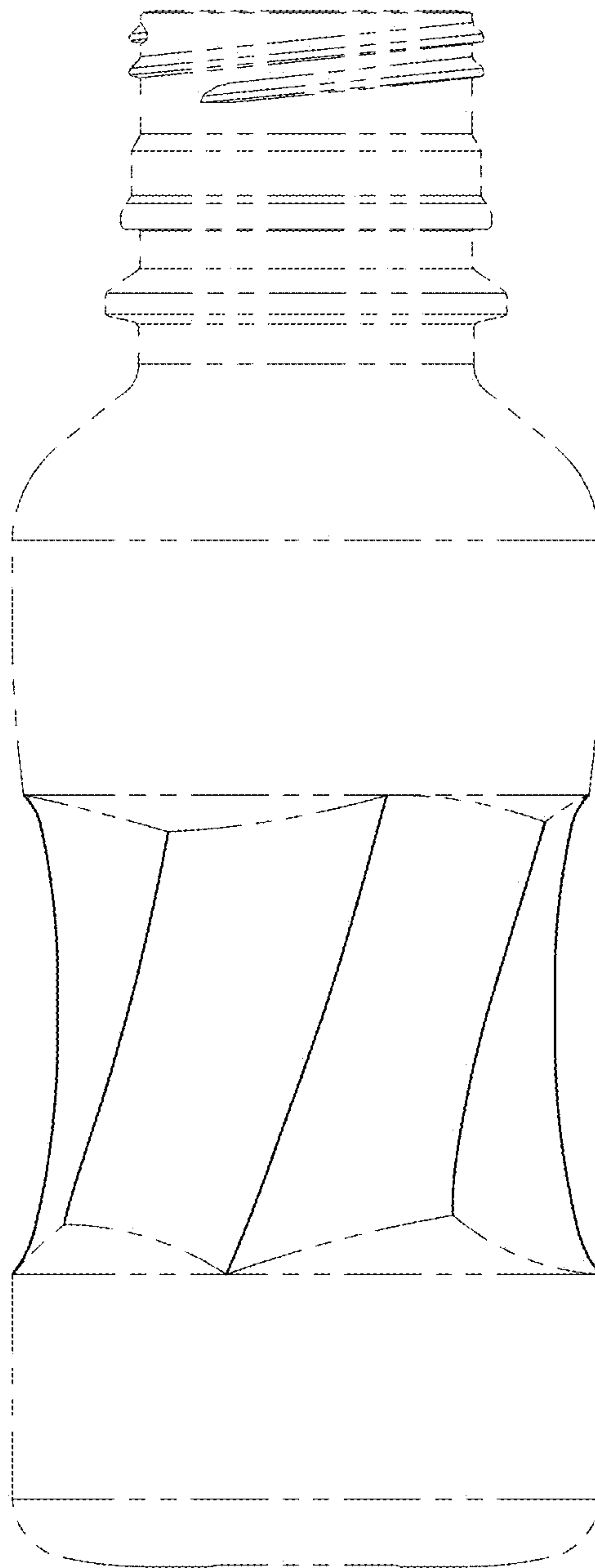


FIG. 10

