



US00D696947S

(12) **United States Design Patent**
Peacock

(10) **Patent No.:** **US D696,947 S**
(45) **Date of Patent:** **** Jan. 7, 2014**

(54) **CONTAINER**

(75) **Inventor:** **April M. Peacock**, York, PA (US)

(73) **Assignee:** **Graham Packaging Company, L.P.**,
York, PA (US)

(**) **Term:** **14 Years**

(21) **Appl. No.:** **29/422,135**

(22) **Filed:** **May 17, 2012**

(51) **LOC (10) Cl.** **09-01**

(52) **U.S. Cl.**

USPC **D9/502**; D9/557; D9/558

(58) **Field of Classification Search**

USPC D9/500, 502-505, 516, 537, 539-540,
D9/545, 549, 558, 682, 685-686, 688-692,
D9/763, 772-773, 557, 775-780; D7/532,
D7/584, 615, 629-630, 640; D34/2;
215/379, 382; 220/660, 669-673, 675

See application file for complete search history.

(56) **References Cited**

U.S. PATENT DOCUMENTS

D67,464 S	6/1925	Johnson	
D200,443 S	2/1965	Deegan	
D201,400 S	6/1965	Kneeland	
D205,556 S *	8/1966	Plochman, Jr.	D9/505
D205,686 S	9/1966	Marchant	
3,357,593 A	12/1967	Sears, Jr. et al.	
D223,898 S *	6/1972	Edwards	D9/500
3,685,685 A	8/1972	Philips	
D232,080 S	7/1974	Strand	
D235,193 S *	5/1975	Edwards	D9/500
4,102,467 A	7/1978	Woodley	
D277,041 S	1/1985	Nichols	
D298,592 S *	11/1988	Stoop	D9/500
4,840,289 A	6/1989	Fait et al.	
4,880,129 A	11/1989	McHenry et al.	
4,890,759 A	1/1990	Scanga	
4,948,006 A	8/1990	Okabe et al.	

4,997,691 A	3/1991	Parkinson
5,054,632 A	10/1991	Alberghini et al.
5,071,029 A	12/1991	Umiah et al.
D323,290 S	1/1992	Keedy
D324,493 S	3/1992	Nickerson
5,217,737 A	6/1993	Gygax et al.
5,234,126 A	8/1993	Jonas et al.
D354,200 S	1/1995	Grappolini

(Continued)

FOREIGN PATENT DOCUMENTS

GB	2161133 A	1/1986
WO	2074635 A1	9/2002

OTHER PUBLICATIONS

International Search Report for International Application No. PCT/
US2011/029014 dated Aug. 22, 2011.

(Continued)

Primary Examiner — Terry Wallace

Assistant Examiner — Dana L Meyrow

(74) *Attorney, Agent, or Firm* — Baker Botts L.L.P.

(57) **CLAIM**

The ornamental design for a container, as shown and described.

DESCRIPTION

FIG. 1 is a perspective view showing my new design;

FIG. 2 is a second perspective view;

FIG. 3 is a front elevational view;

FIG. 4 is a rear elevational view;

FIG. 5 is a first side elevational view;

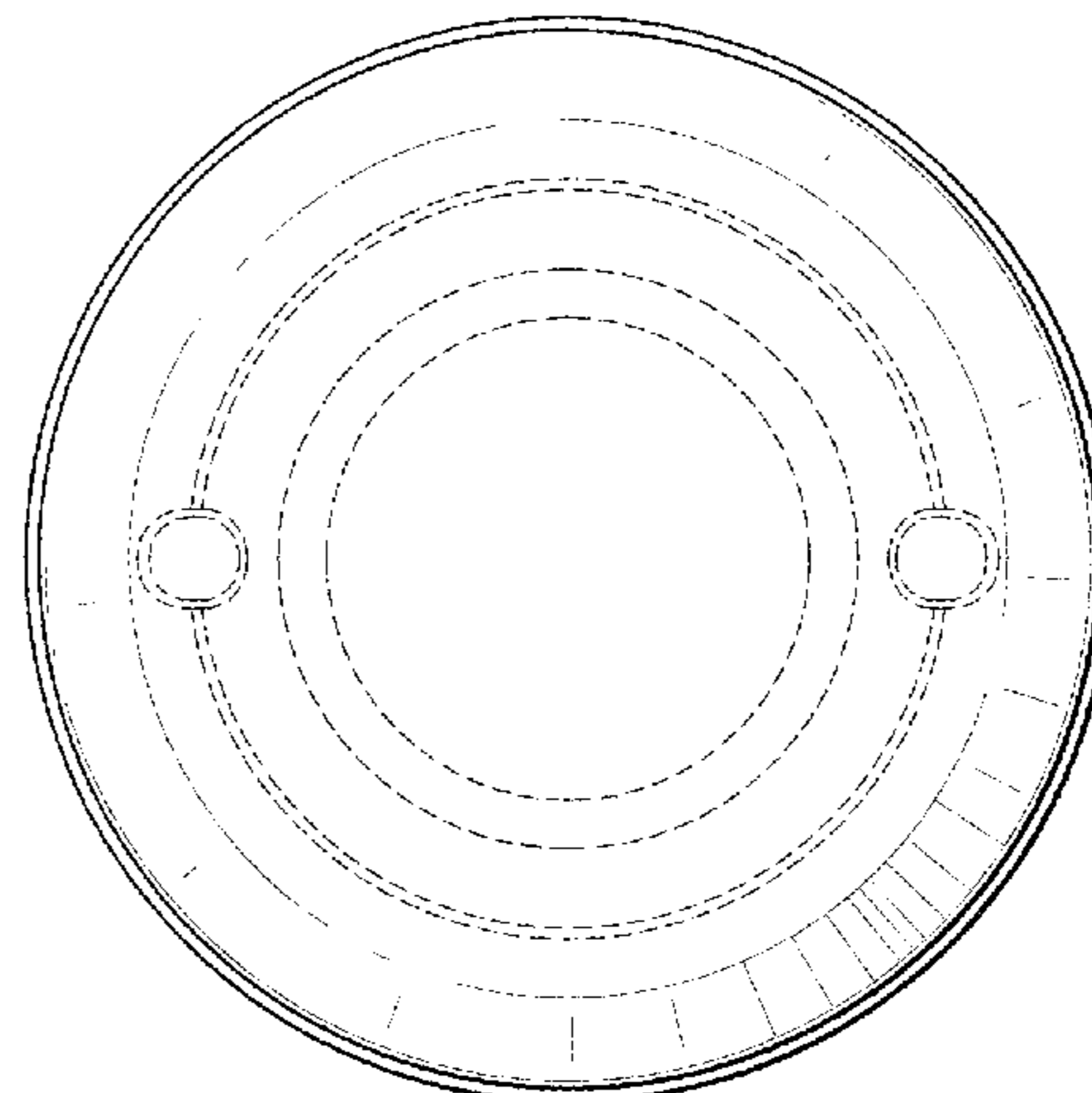
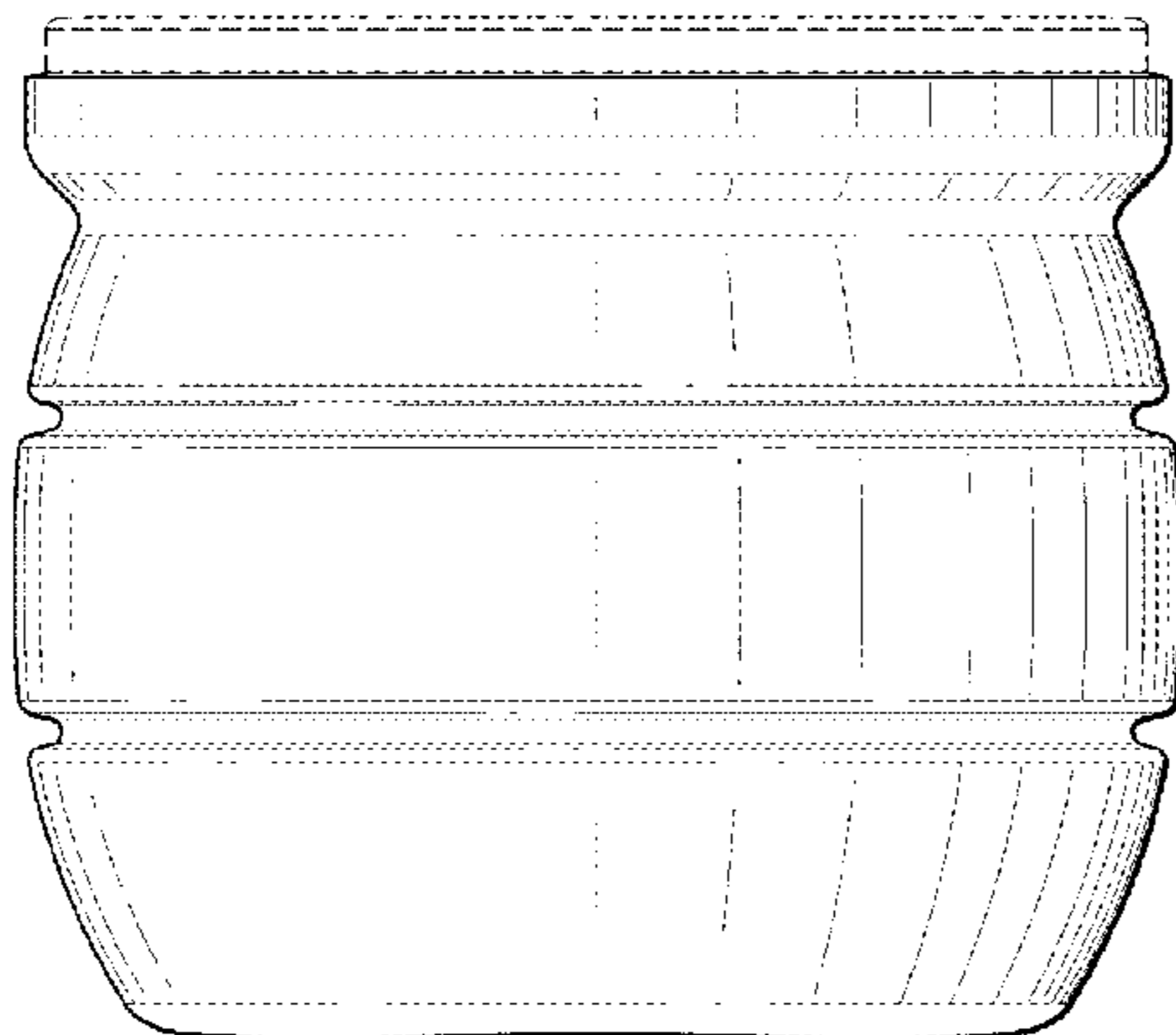
FIG. 6 is a second side elevational view;

FIG. 7 is a top plan view; and,

FIG. 8 is a bottom plan view.

The broken lines in the drawings illustrate the portions of the design that form no part of the claim.

1 Claim, 5 Drawing Sheets



(56)

References Cited

U.S. PATENT DOCUMENTS

5,718,352 A 2/1998 Diekhoff et al.
 5,746,339 A 5/1998 Petre et al.
 6,095,360 A 8/2000 Shmagin et al.
 D454,190 S 3/2002 Trocola
 D469,351 S 1/2003 Huang
 6,520,362 B2 2/2003 Heisel et al.
 D482,571 S 11/2003 Leinenweber
 D485,182 S 1/2004 Gaydon
 D503,112 S * 3/2005 Kudert et al. D9/500
 D515,927 S 2/2006 Smay et al.
 D523,347 S 6/2006 Livingston
 7,055,713 B2 6/2006 Rea et al.
 7,178,687 B1 2/2007 Manderfield, Jr. et al.
 D545,684 S 7/2007 DeMaso et al.
 D547,667 S 7/2007 DeMaso et al.
 D551,026 S 9/2007 Morgan et al.
 D559,120 S 1/2008 Farrow et al.
 D559,121 S 1/2008 Farrow et al.

D562,685 S * 2/2008 Millspaw et al. D9/500
 D608,203 S 1/2010 Yourist
 D625,202 S 10/2010 Yourist
 D632,590 S 2/2011 Peacock
 D634,635 S 3/2011 Araujo et al.
 D653,543 S 2/2012 Yourist et al.
 D653,544 S 2/2012 Yourist et al.
 D653,545 S 2/2012 Yourist et al.
 D671,413 S * 11/2012 Yourist D9/538
 2004/0149677 A1 8/2004 Slatt et al.
 2004/0211746 A1 10/2004 Trude et al.
 2009/0166314 A1 7/2009 Matsuoka
 2011/0226787 A1 9/2011 Yourist
 2011/0226788 A1 9/2011 Yourist

OTHER PUBLICATIONS

Gilpin and Company, Inc. Plastic Packaging. Retrieved from www.gilpinez.com/offers.html, retrieved Oct. 2012.

* cited by examiner

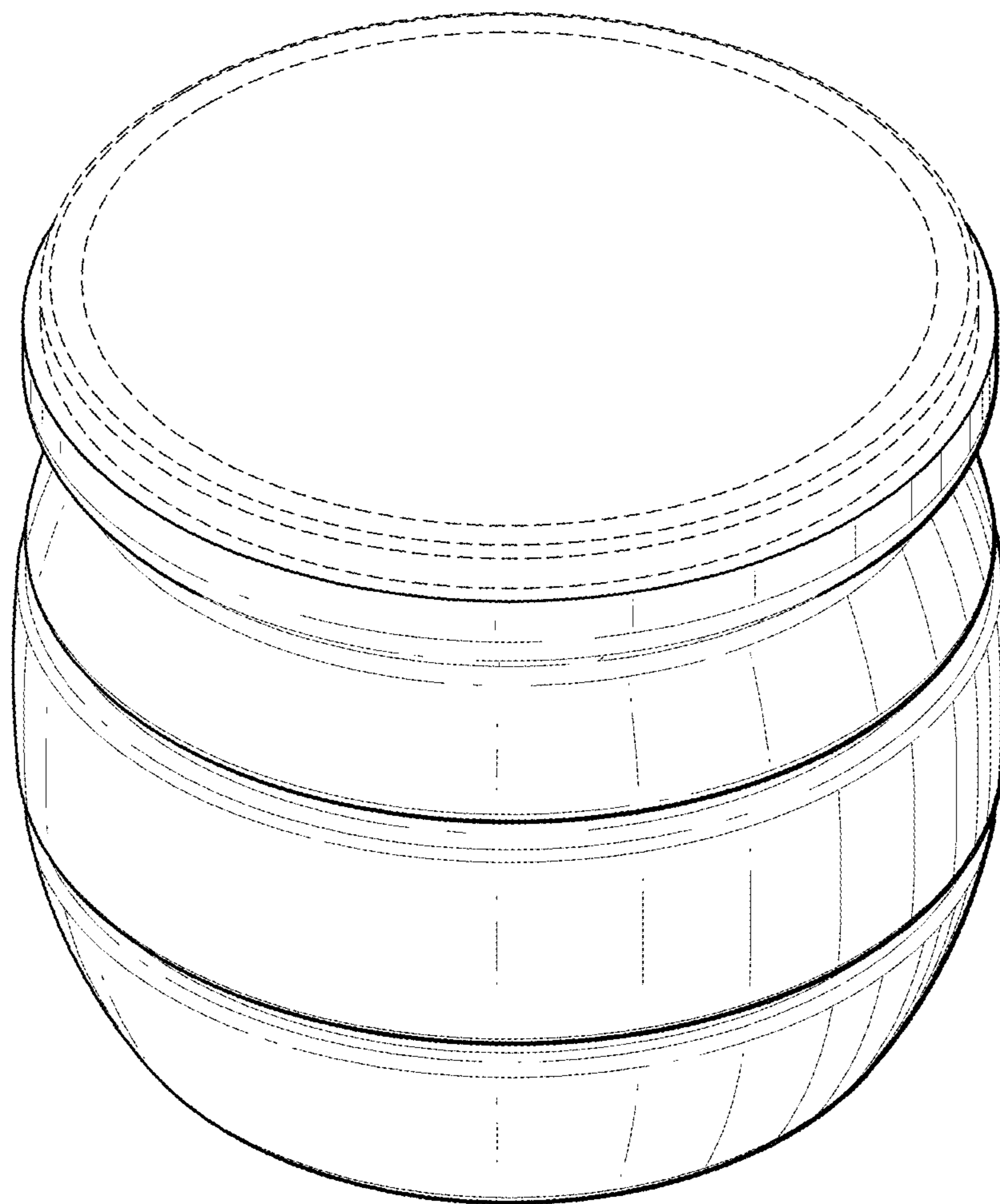


FIG. 1

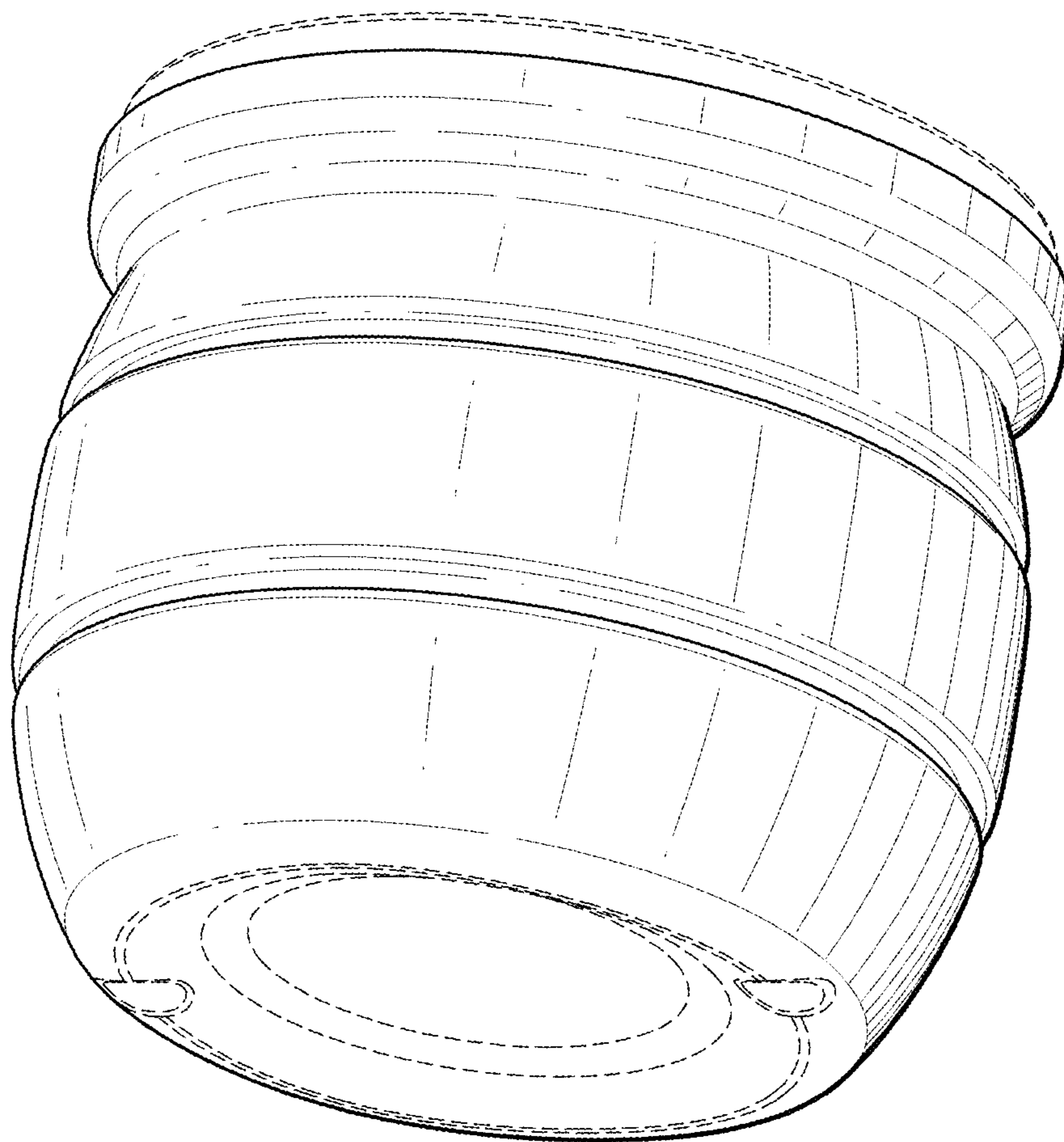


FIG. 2

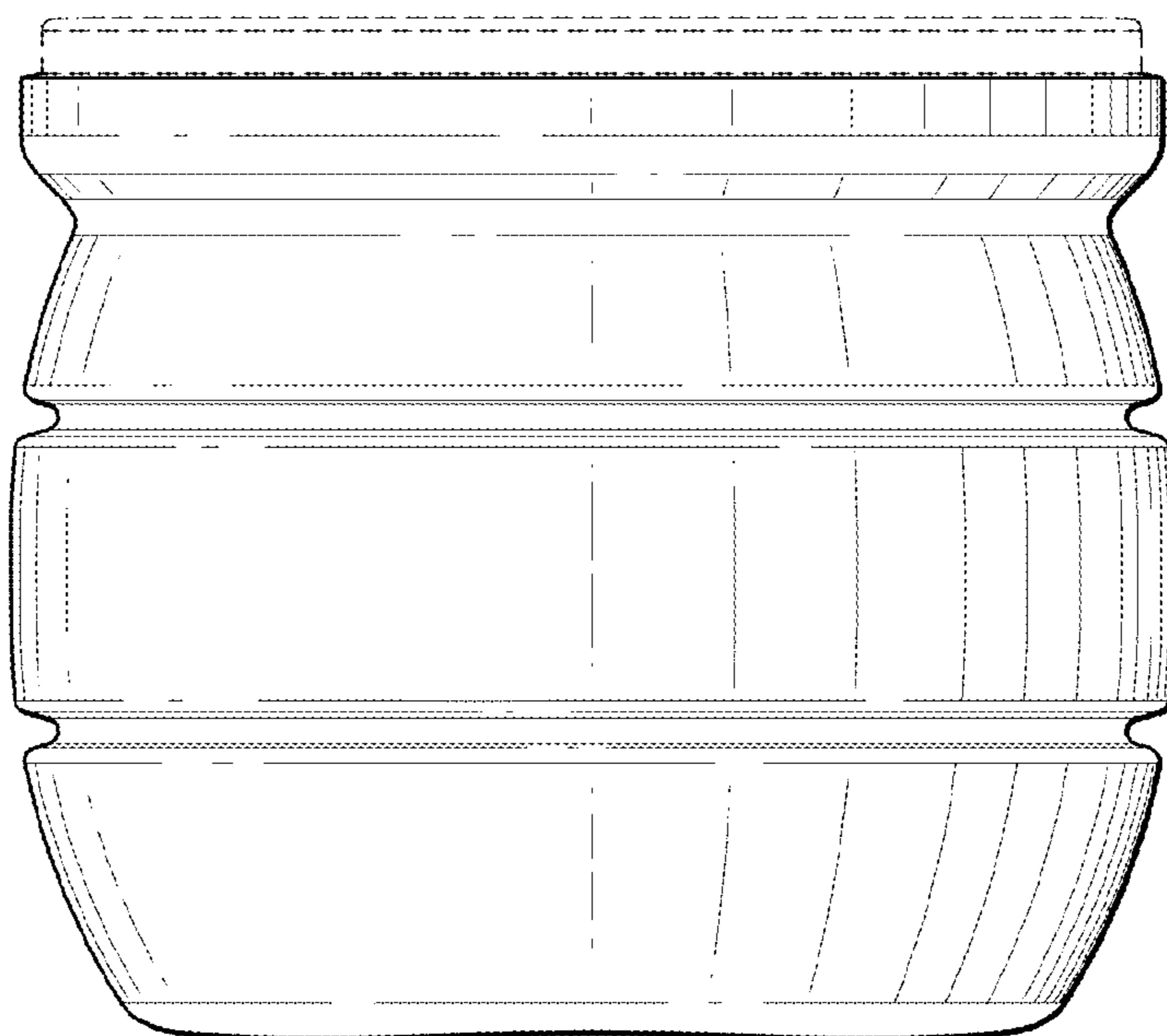


FIG. 3

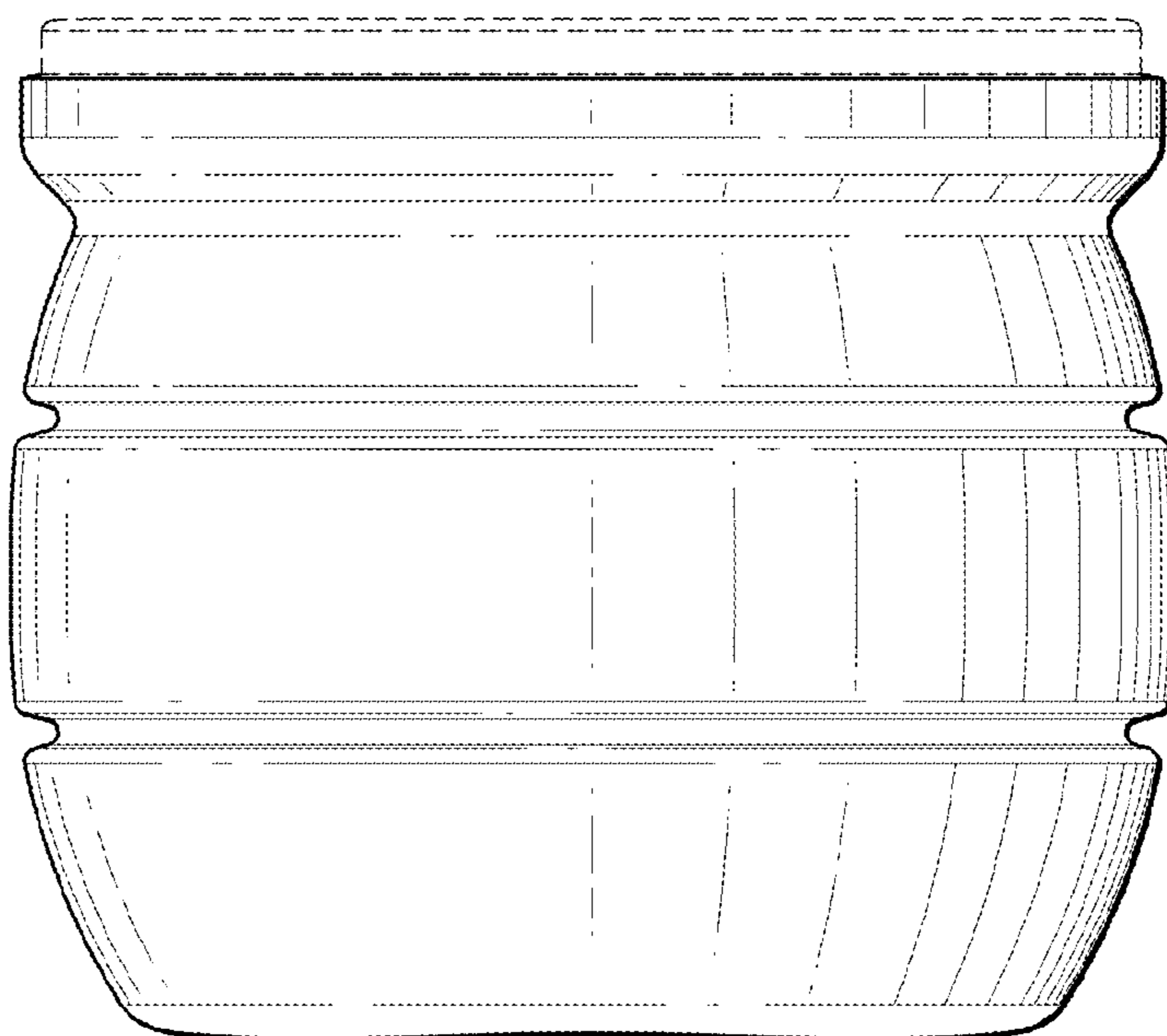


FIG. 4

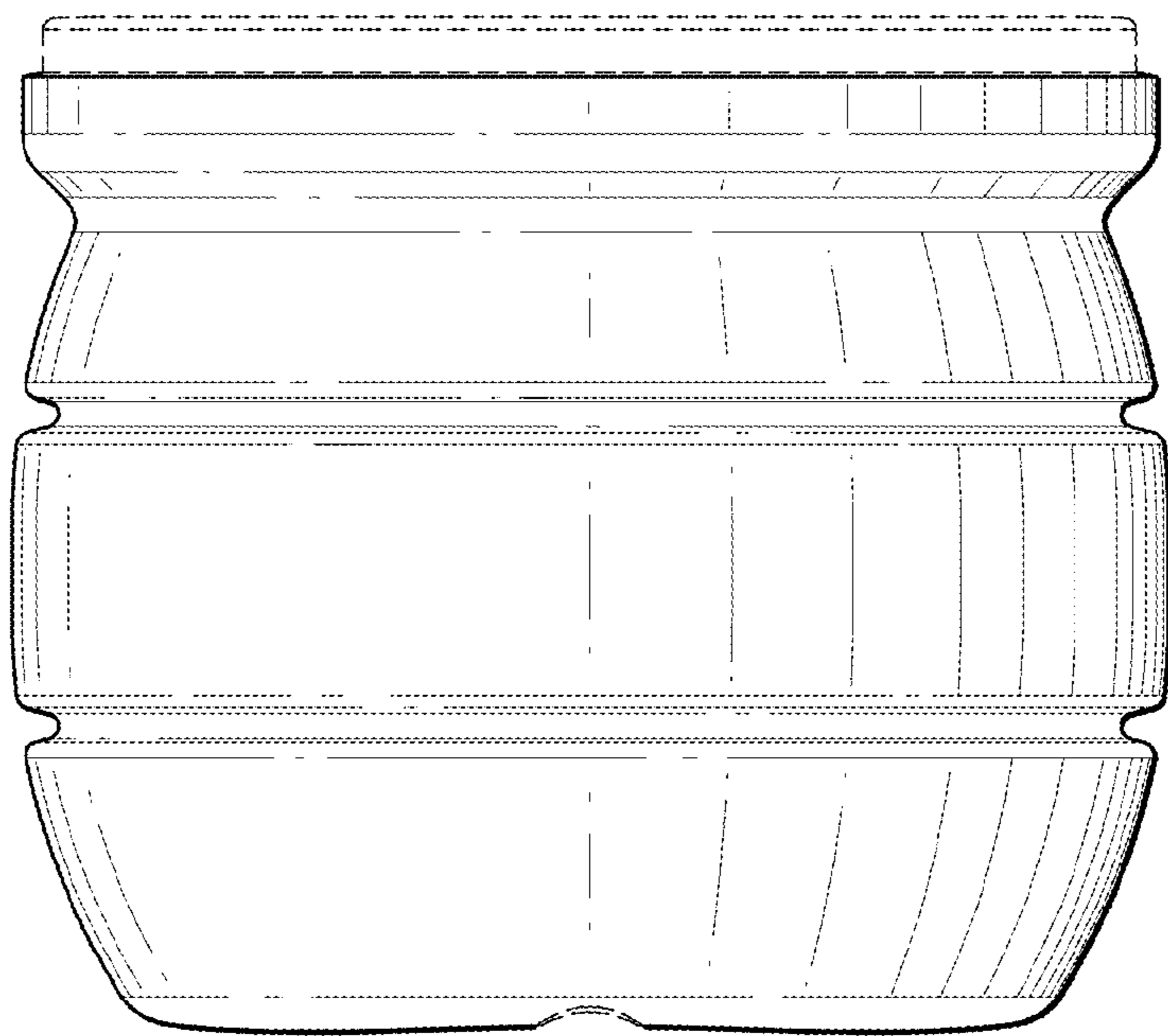


FIG. 5

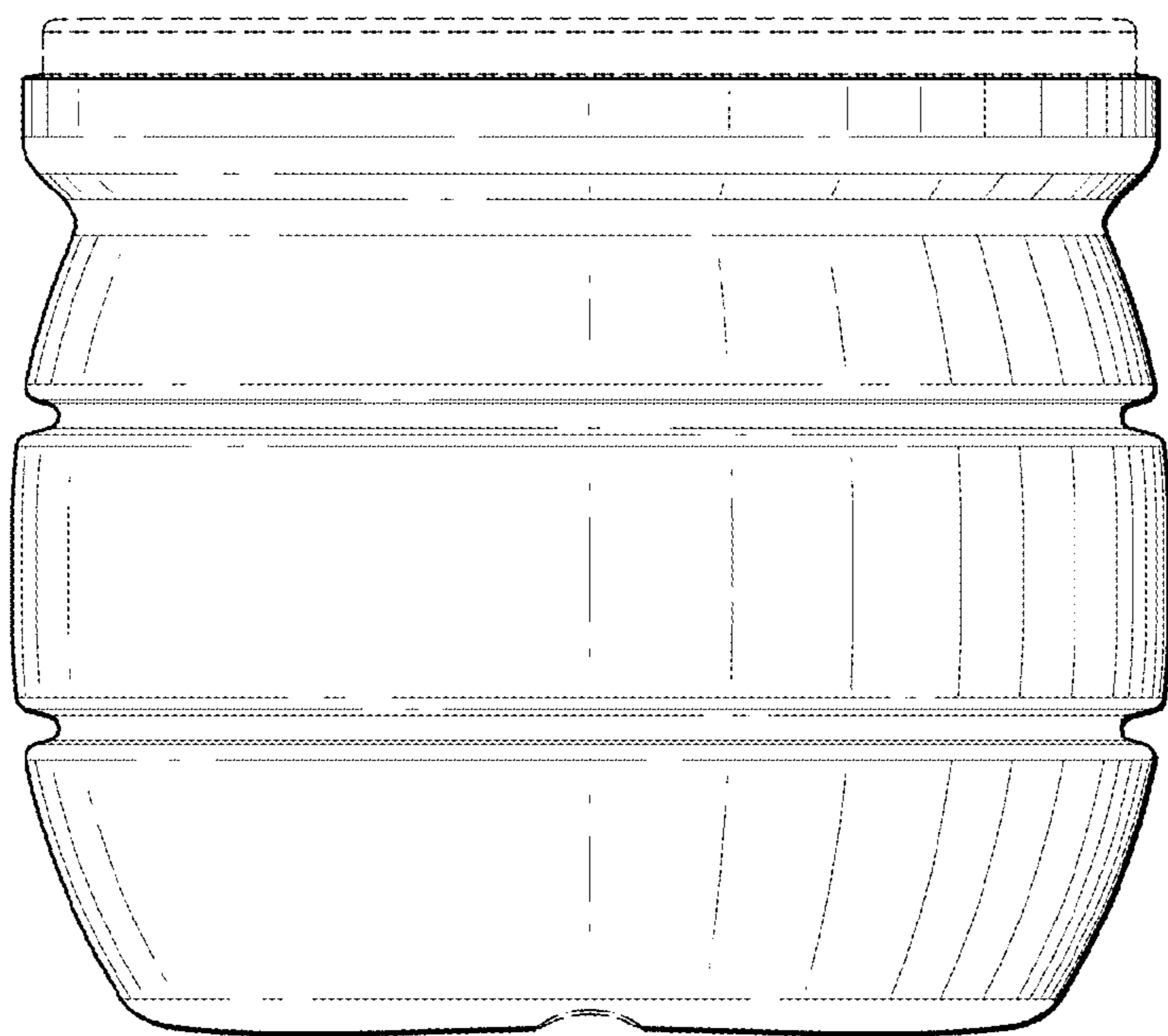


FIG. 6

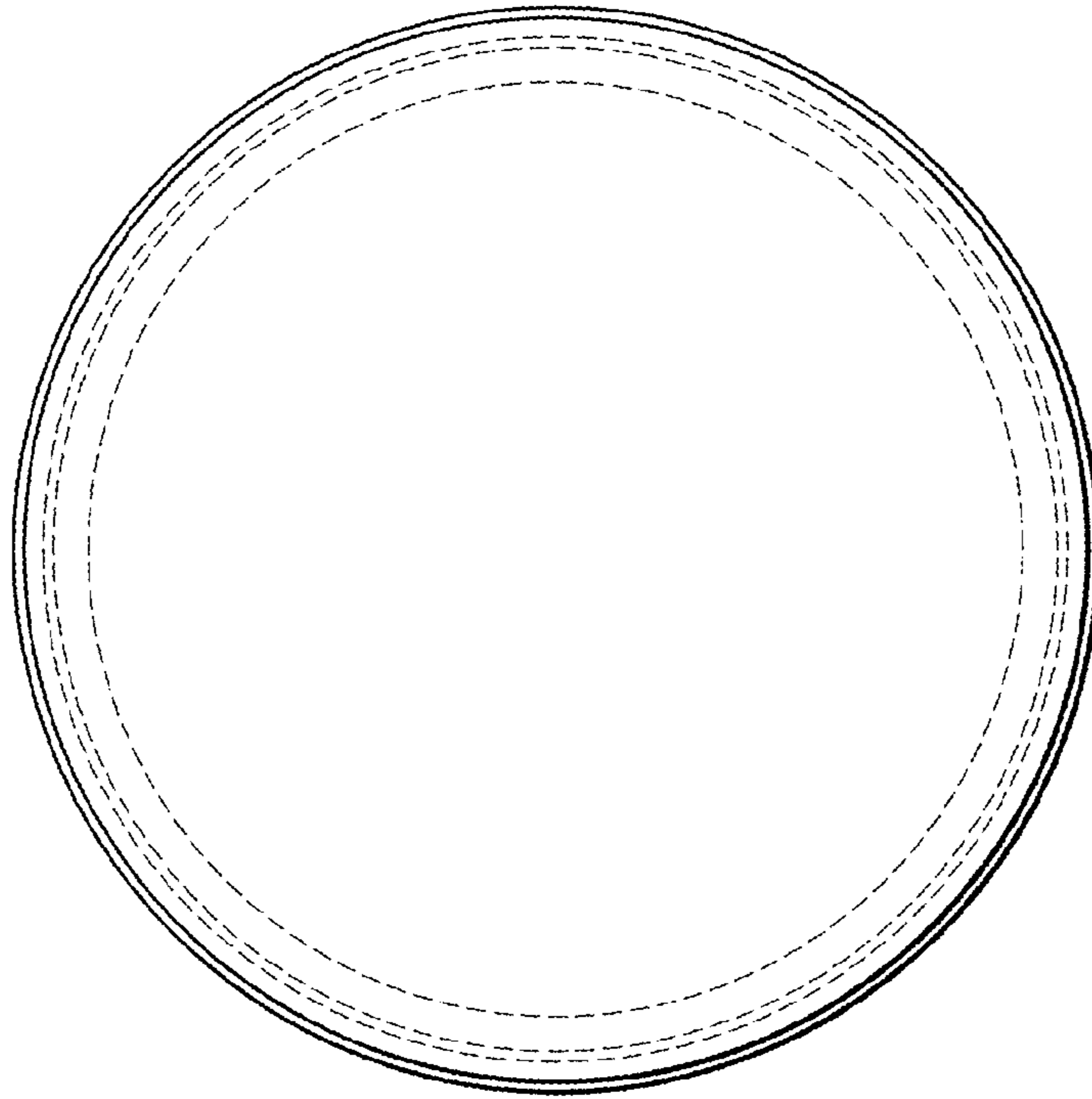


FIG. 7

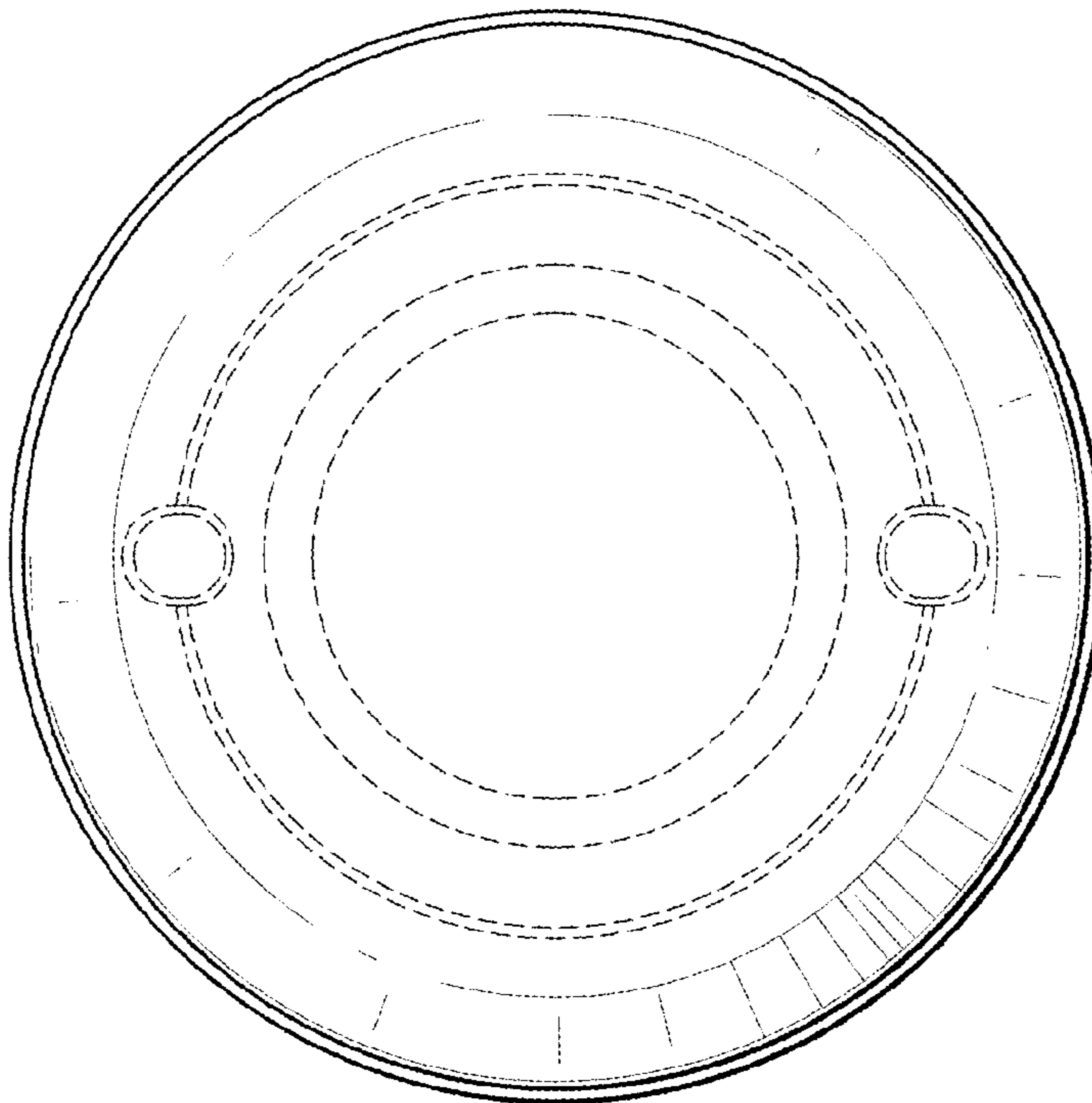


FIG. 8