

US00D696944S

(12) **United States Design Patent**
Lepage

(10) **Patent No.:** **US D696,944 S**
(45) **Date of Patent:** **** Jan. 7, 2014**

(54) **CLOSURE**

- (71) Applicant: **Obrist Closures Switzerland GmbH**, Reinach (CH)
- (72) Inventor: **Francis Lepage**, Dommartin (FR)
- (73) Assignee: **Obrist Closures Switzerland GmbH**, Reinach (CH)
- (**) Term: **14 Years**
- (21) Appl. No.: **29/458,902**
- (22) Filed: **Jun. 24, 2013**

Related U.S. Application Data

- (63) Continuation of application No. 13/702,970, filed on Feb. 27, 2013.

(30) **Foreign Application Priority Data**

- Jul. 9, 2010 (GB) 1011663.0
- (51) **LOC (10) Cl.** **09-07**
- (52) **U.S. Cl.**
USPC **D9/449**
- (58) **Field of Classification Search**
USPC D9/529, 449, 447, 446, 435; 222/556,
222/521; 220/837, 810, 375; 215/354, 306,
215/237, 235
See application file for complete search history.

(56) **References Cited**

U.S. PATENT DOCUMENTS

- D317,869 S * 7/1991 Kipperman et al. D9/446
 - 5,067,624 A 11/1991 Thanisch
- (Continued)

FOREIGN PATENT DOCUMENTS

- CA 2406986 8/2002
 - FR 2540834 2/1983
- (Continued)

OTHER PUBLICATIONS

Prior, Michael "Search Report" Great Britain Intellectual Property Office, Application No. GB1011663.0; Oct. 28, 2010, p. 1.

(Continued)

Primary Examiner — Susan Bennett Hattan
(74) *Attorney, Agent, or Firm* — Thomas G. Peterson; Nicholas J. Landau; Bradley Arant Boult Cummings LLP

(57) **CLAIM**

The ornamental design for a closure, as shown and described.

DESCRIPTION

FIG. 1 shows a frontal perspective view of the closure in its closed position in accordance with the new design.

FIG. 2 shows a rear perspective view of the closure of FIG. 1 in its closed position.

FIG. 3 shows a top view of the closure of FIG. 1 in its closed position.

FIG. 4 shows a bottom view of the closure of FIG. 1 in its closed position.

FIG. 5 shows a front view of the closure of FIG. 1 in its closed position.

FIG. 6 shows a rear view of the closure of FIG. 1 in its closed position.

FIG. 7 shows a side view of the closure of FIG. 1 in its closed position.

FIG. 8 shows a frontal perspective view of the closure of FIG. 1 in its open position in accordance with the new design.

FIG. 9 shows a rear perspective view of the closure of FIG. 1 in its open position.

FIG. 10 shows a top view of the closure of FIG. 1 in its open position.

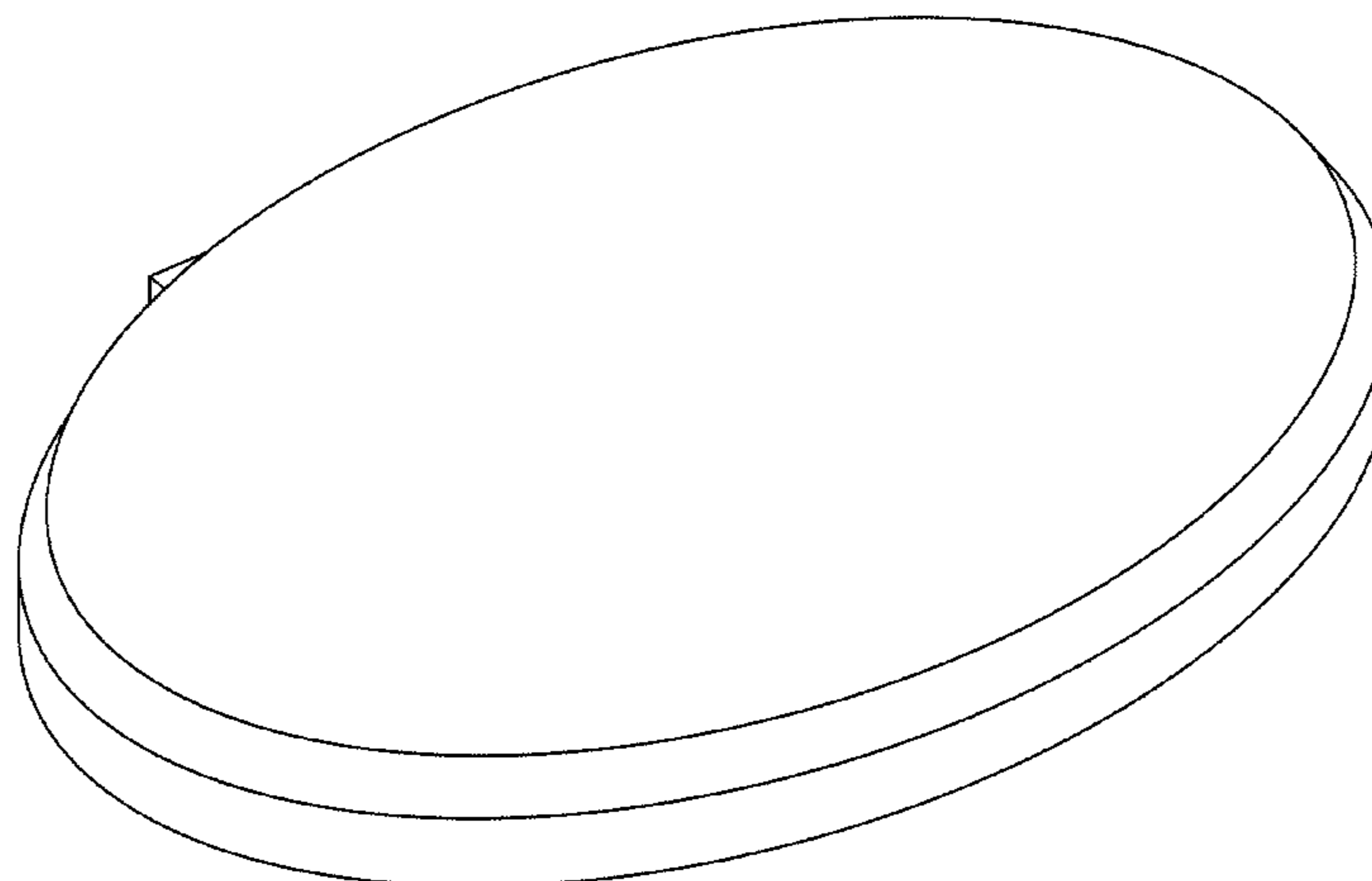
FIG. 11 shows a bottom view of the closure of FIG. 1 in its open position.

FIG. 12 shows a front view of the closure of FIG. 1 in its open position; and,

FIG. 13 shows a side view of the closure of FIG. 1 in its open position.

The dashed lines shown in the drawings illustrate environmental structure and form no part of the claimed design.

1 Claim, 12 Drawing Sheets



(56)

References Cited

U.S. PATENT DOCUMENTS

5,979,706 A 11/1999 Grussmark
 6,095,374 A 8/2000 Ricard et al.
 D513,987 S * 1/2006 Bansal D9/449
 D526,562 S * 8/2006 Jelich et al. D9/449
 D603,704 S * 11/2009 Jost et al. D9/449
 D666,095 S * 8/2012 Blachford et al. D9/449
 D671,000 S * 11/2012 O'Neill et al. D9/449
 D680,433 S * 4/2013 Lepage D9/449
 D680,434 S * 4/2013 Fracasso D9/449
 2004/0099692 A1 5/2004 Dambricourt
 2008/0277369 A1* 11/2008 Robinson 215/235

FOREIGN PATENT DOCUMENTS

GB 2422372 7/2006
 JP 2001278321 10/2001
 JP 2008100749 5/2008
 JP 20091309 8/2009

OTHER PUBLICATIONS

Cappiello, Gennaro "Notification of Transmittal of the International Search Report and the Written Opinion of the International Searching Authority" European Patent Office, PCT/IB2011/001912; Oct. 18, 2011, pp. 1-12.

* cited by examiner

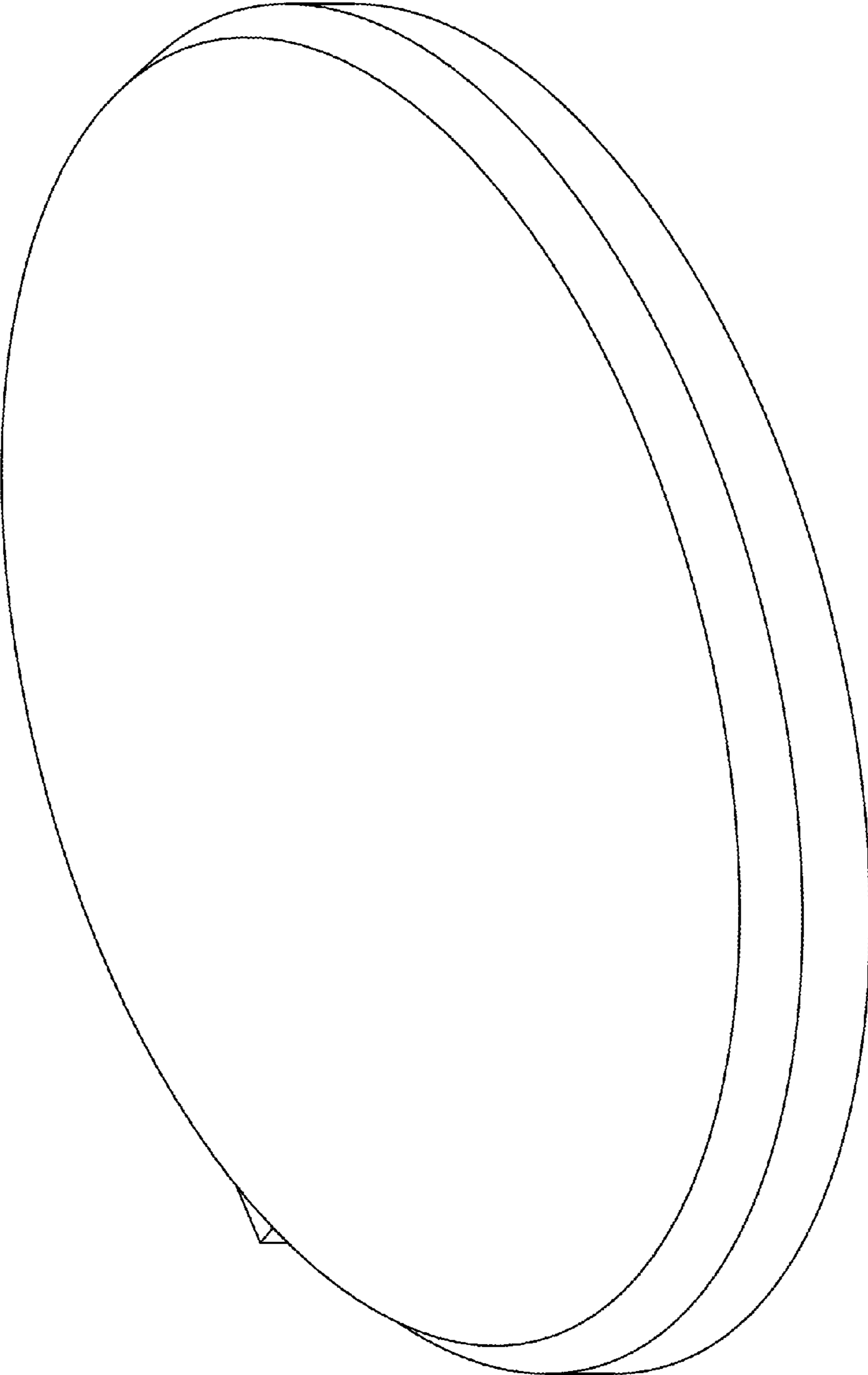


FIG. 1

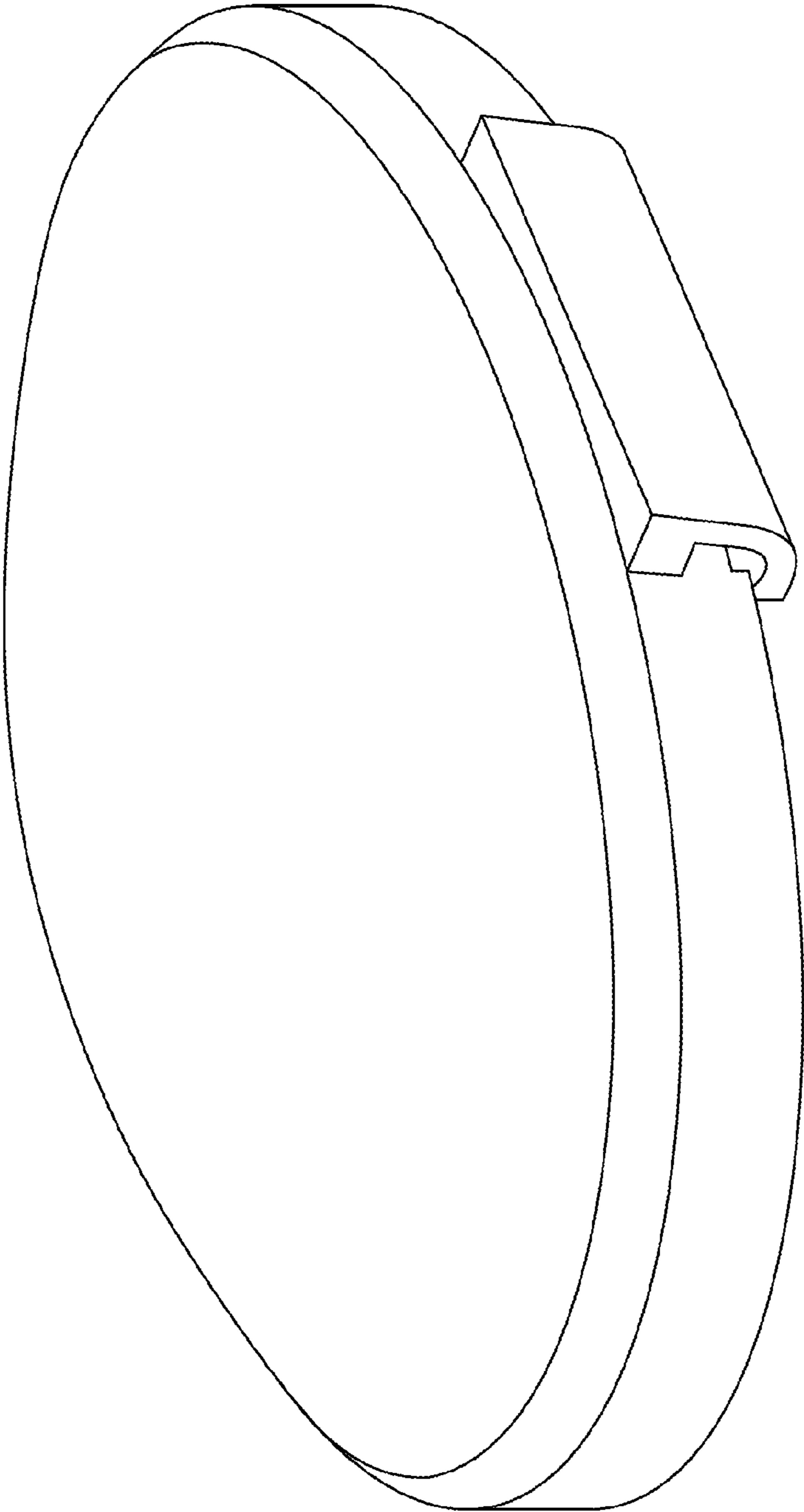


FIG. 2

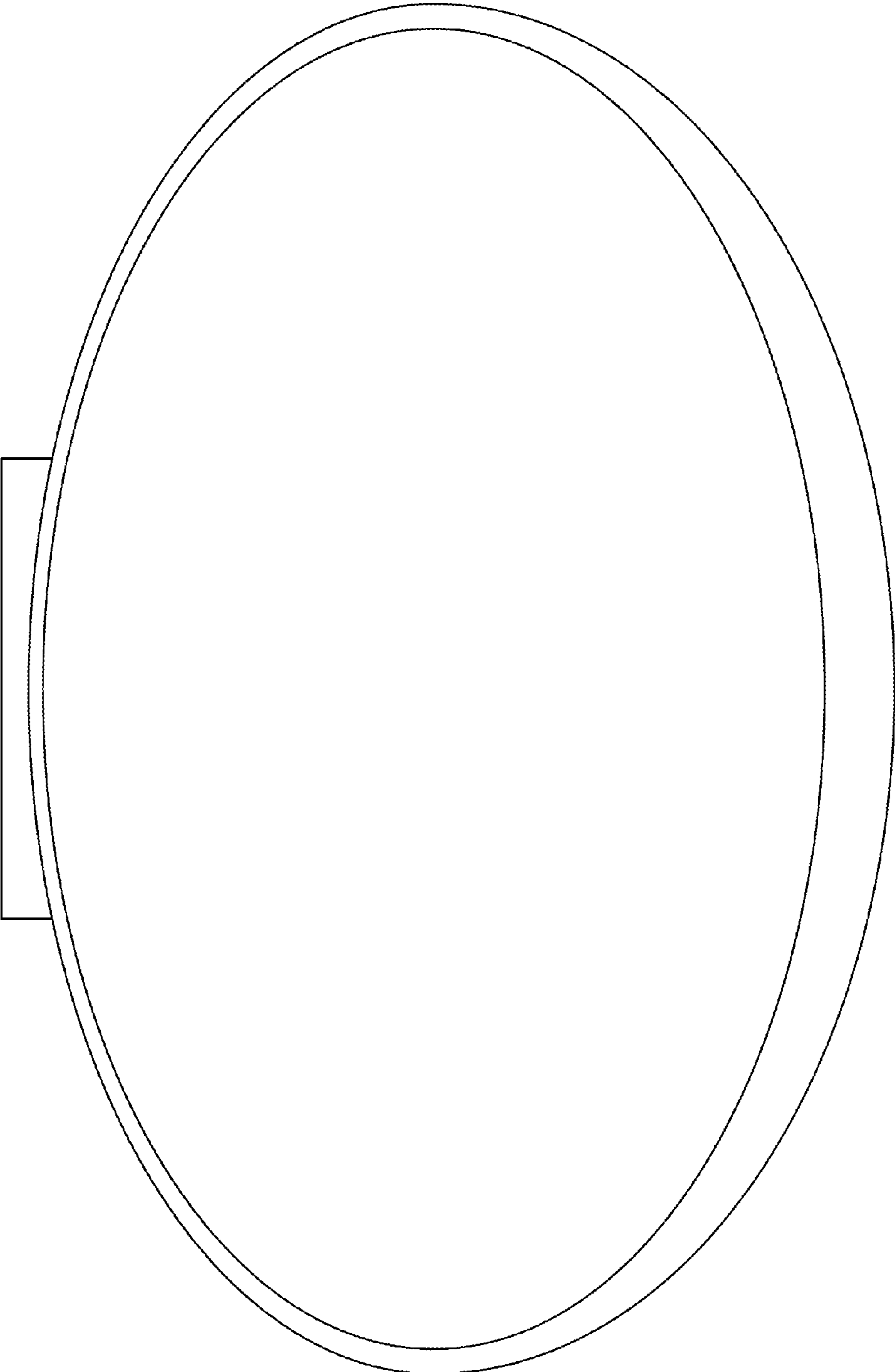


FIG. 3

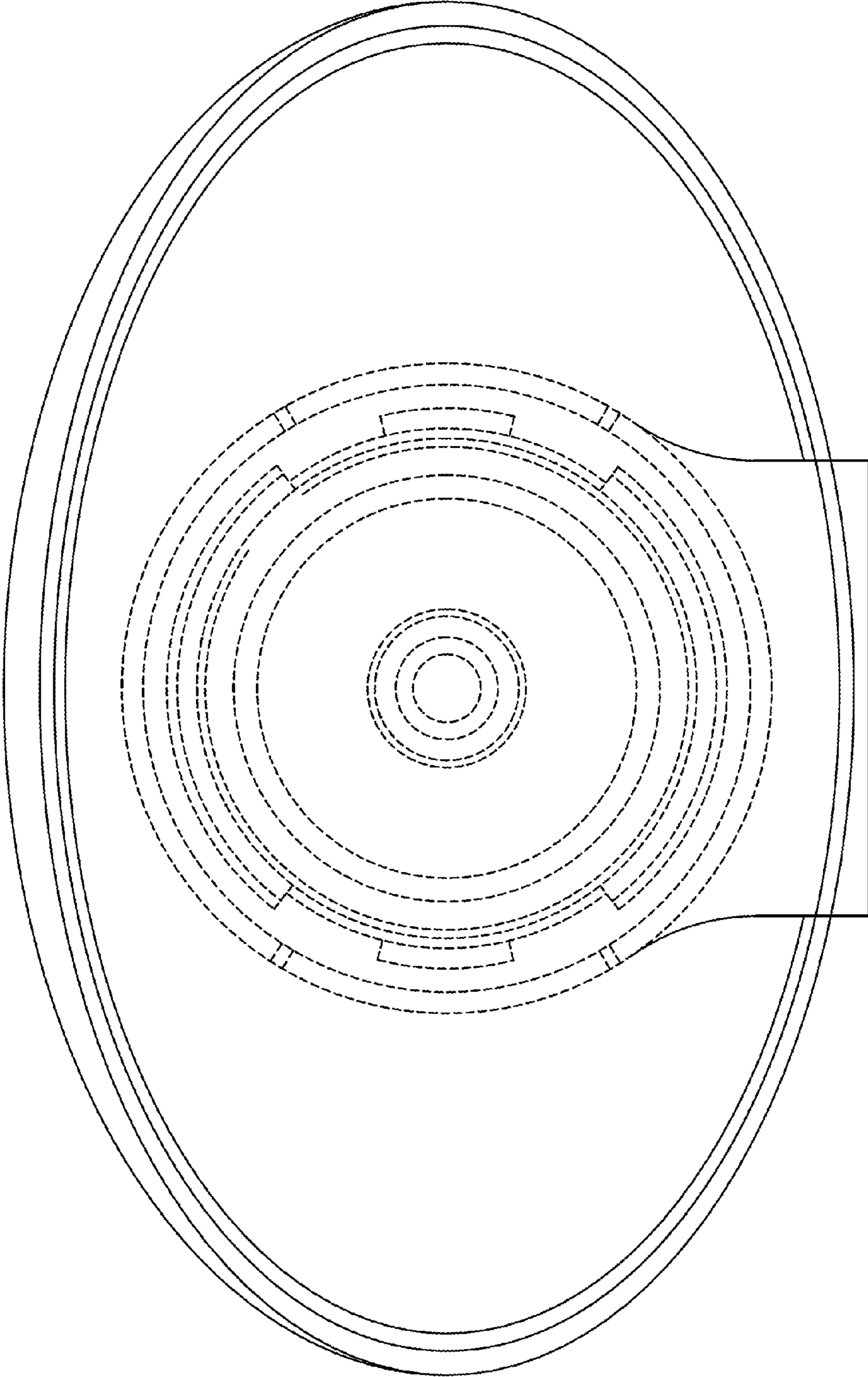


FIG. 4

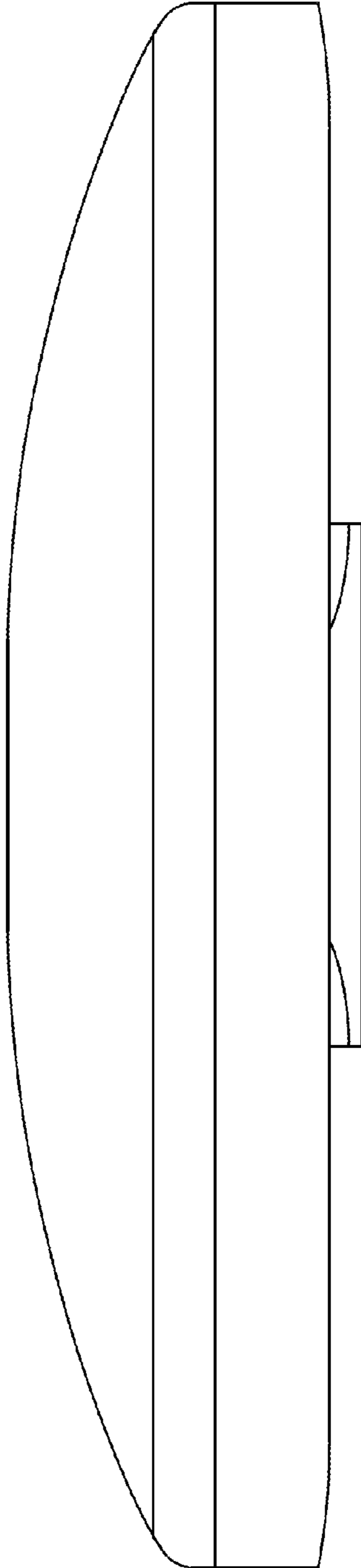


FIG. 5

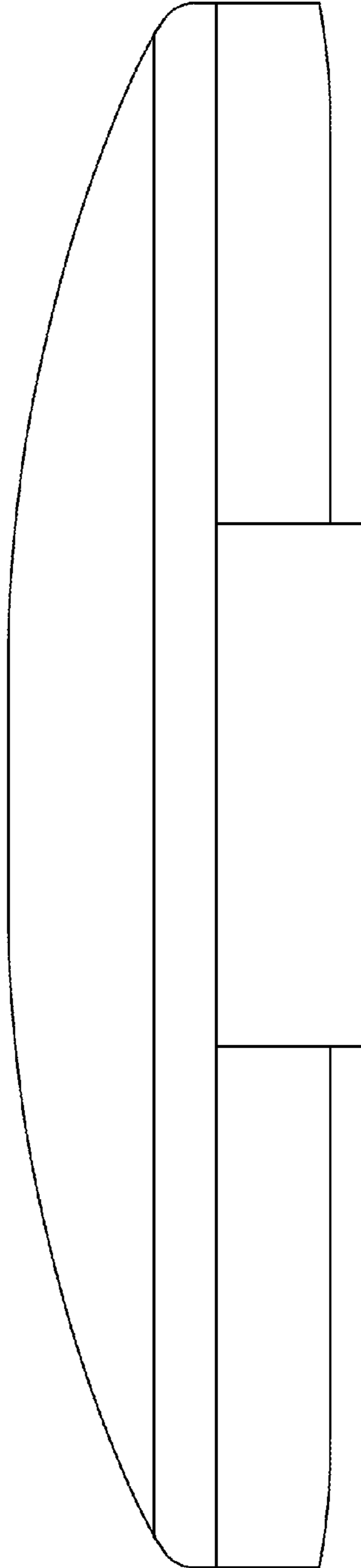


FIG. 6

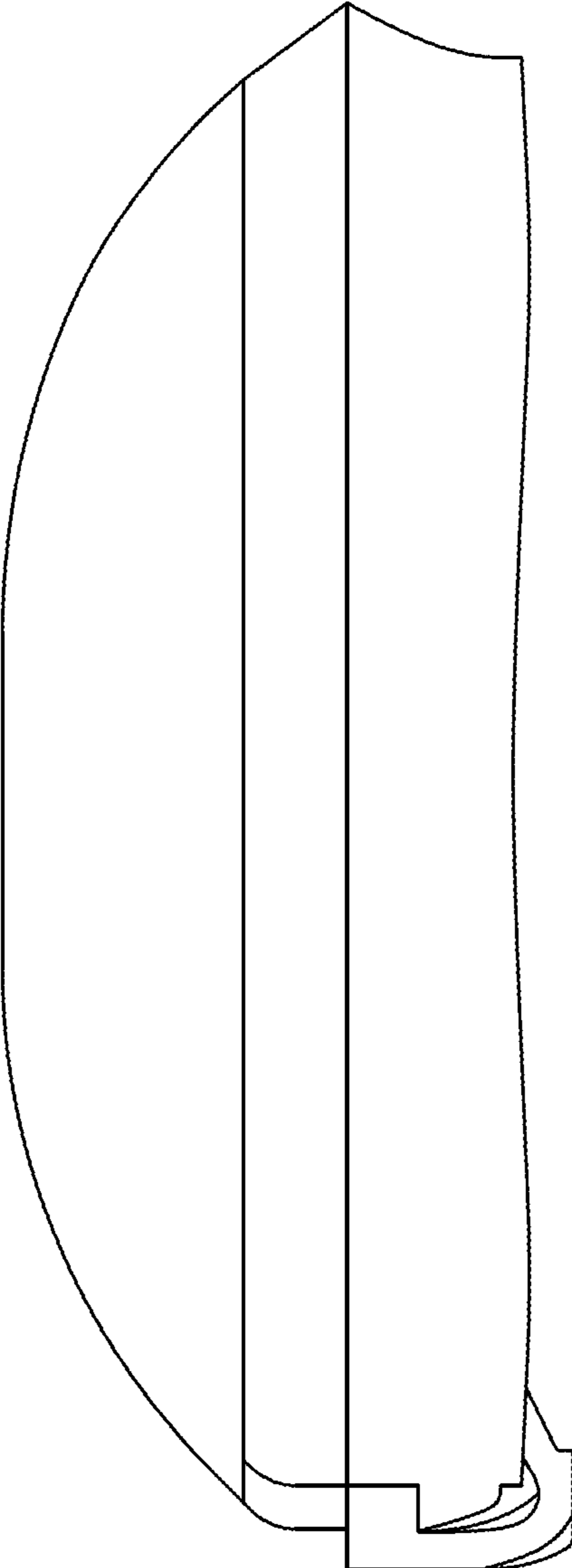


FIG. 7

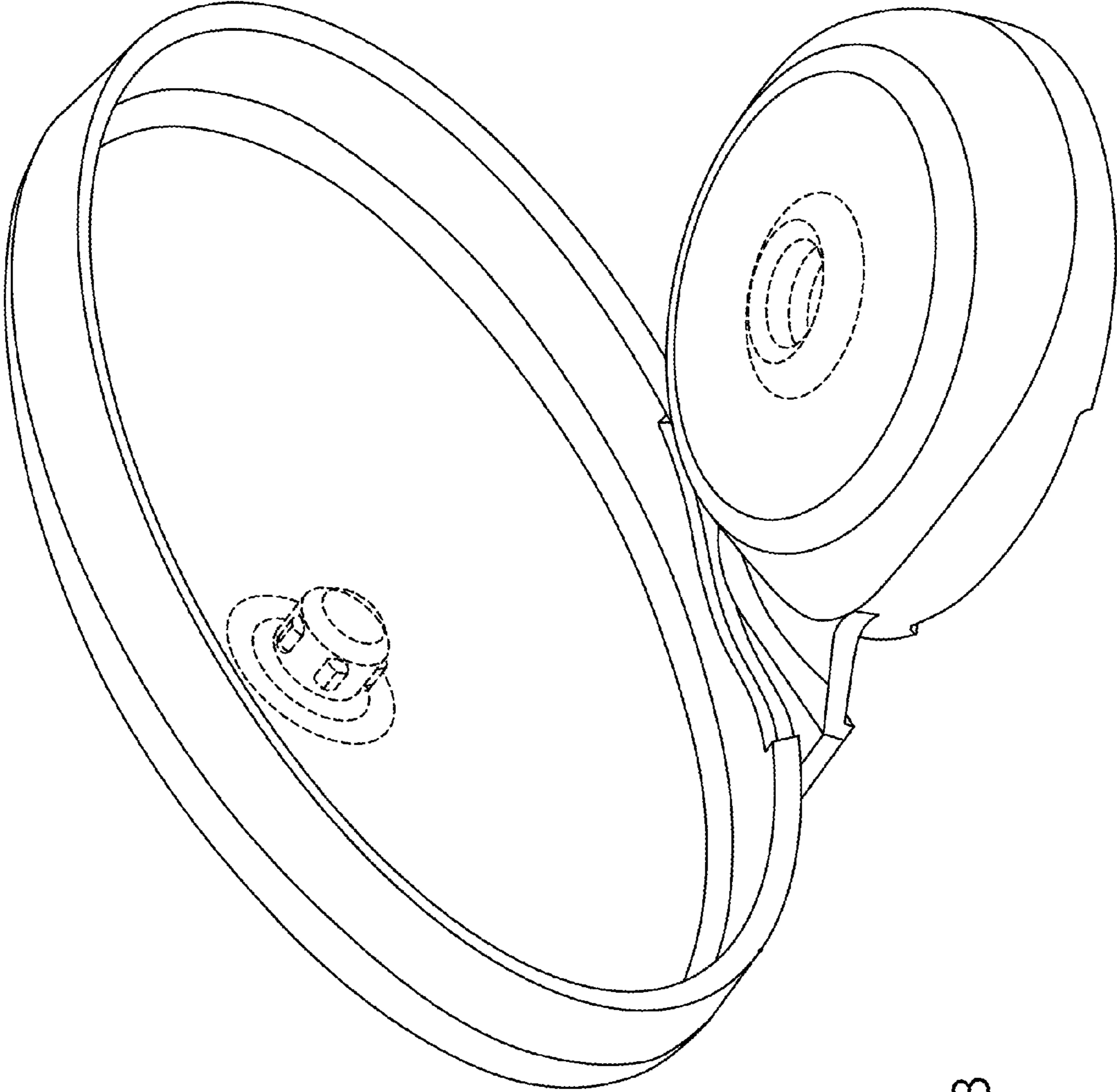


FIG. 8

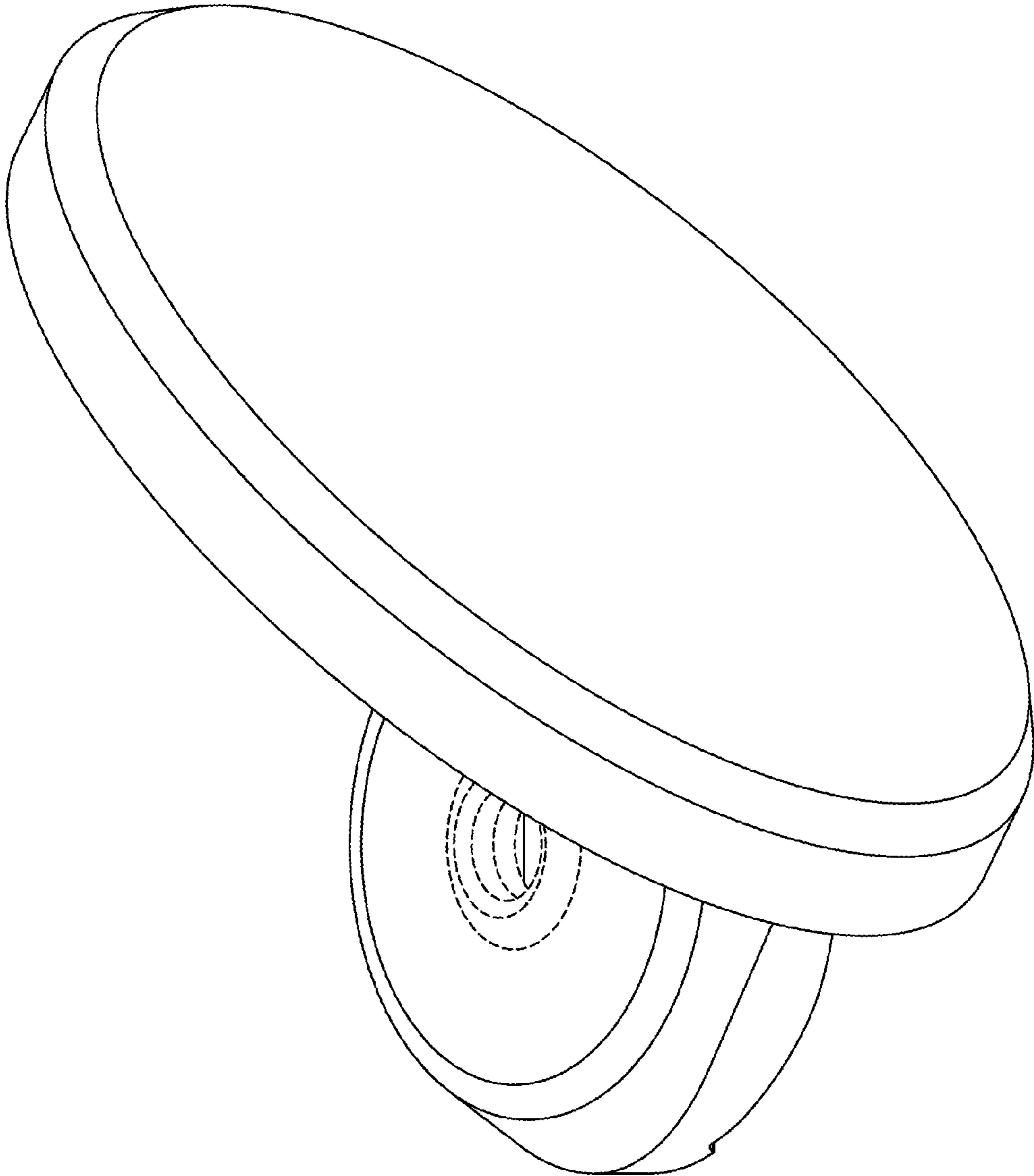


FIG. 9

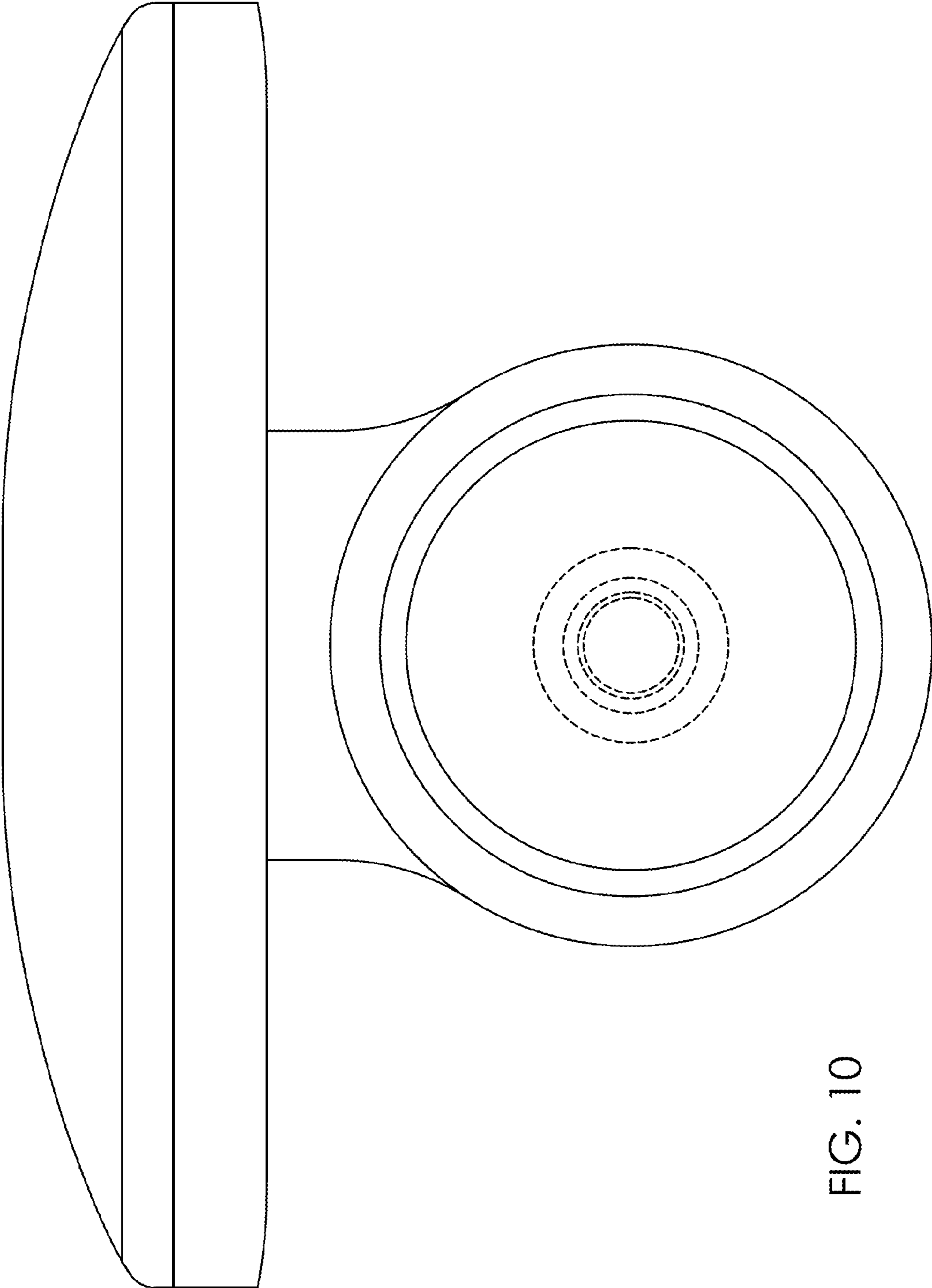


FIG. 10

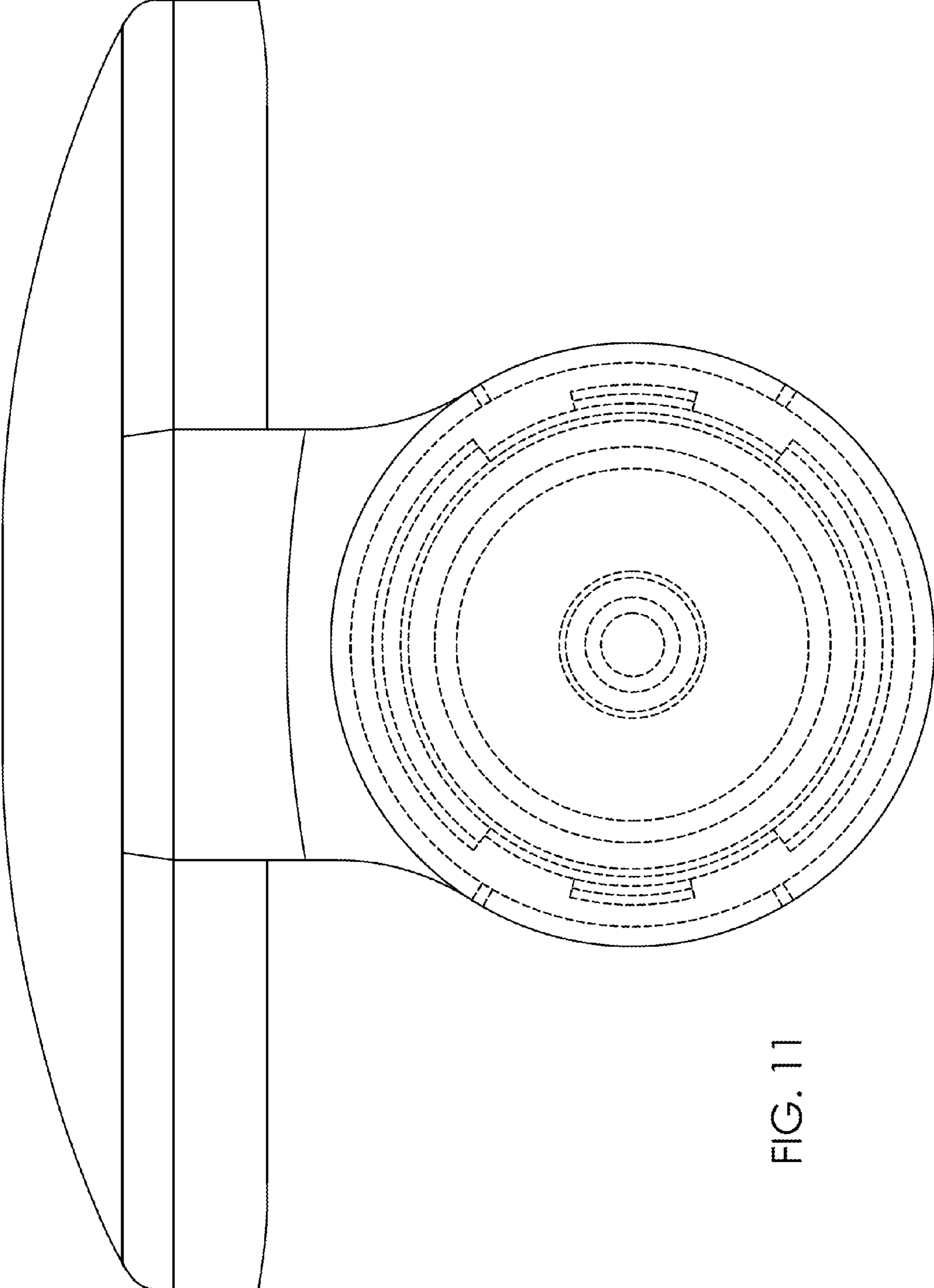


FIG. 11

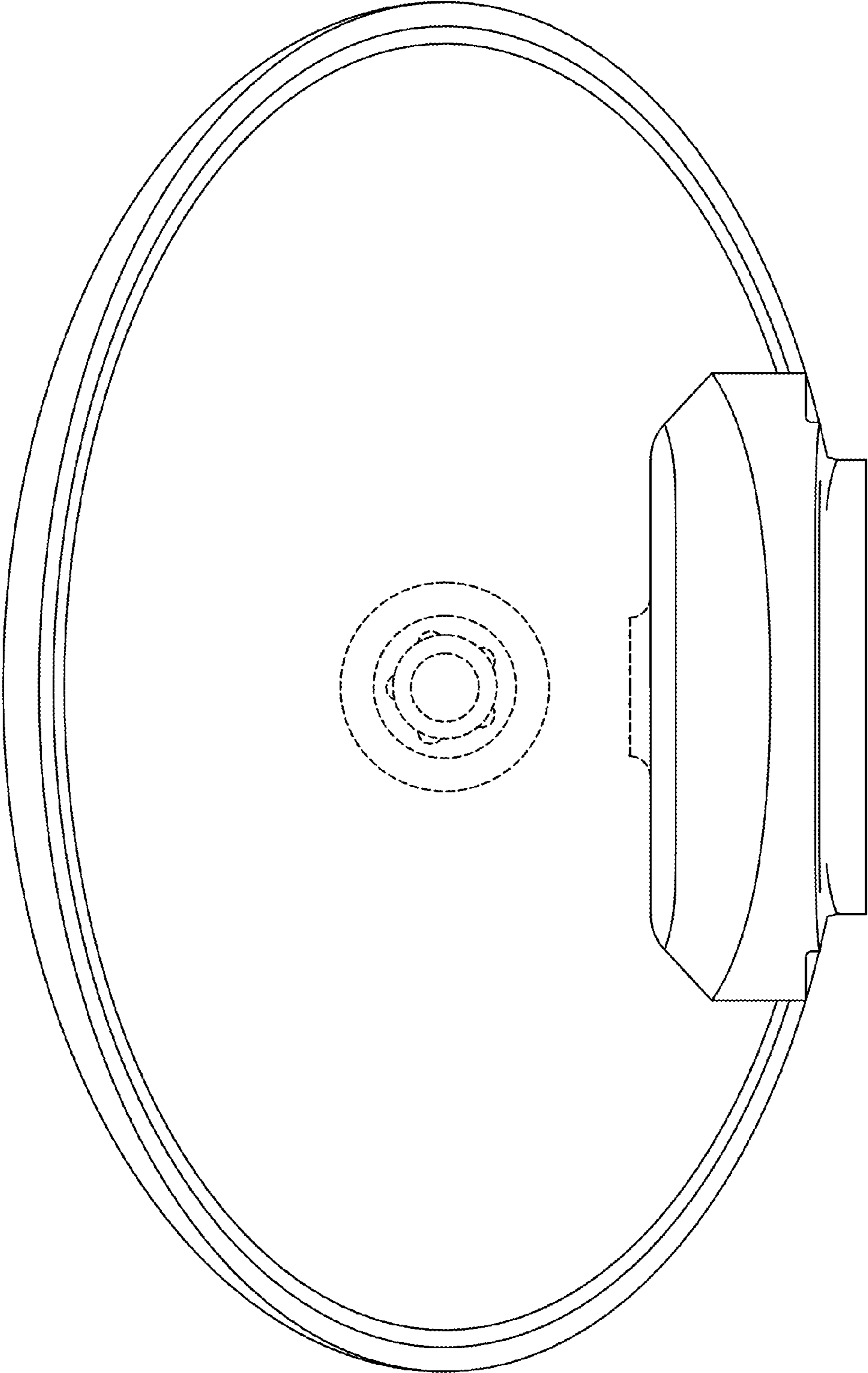


FIG. 12

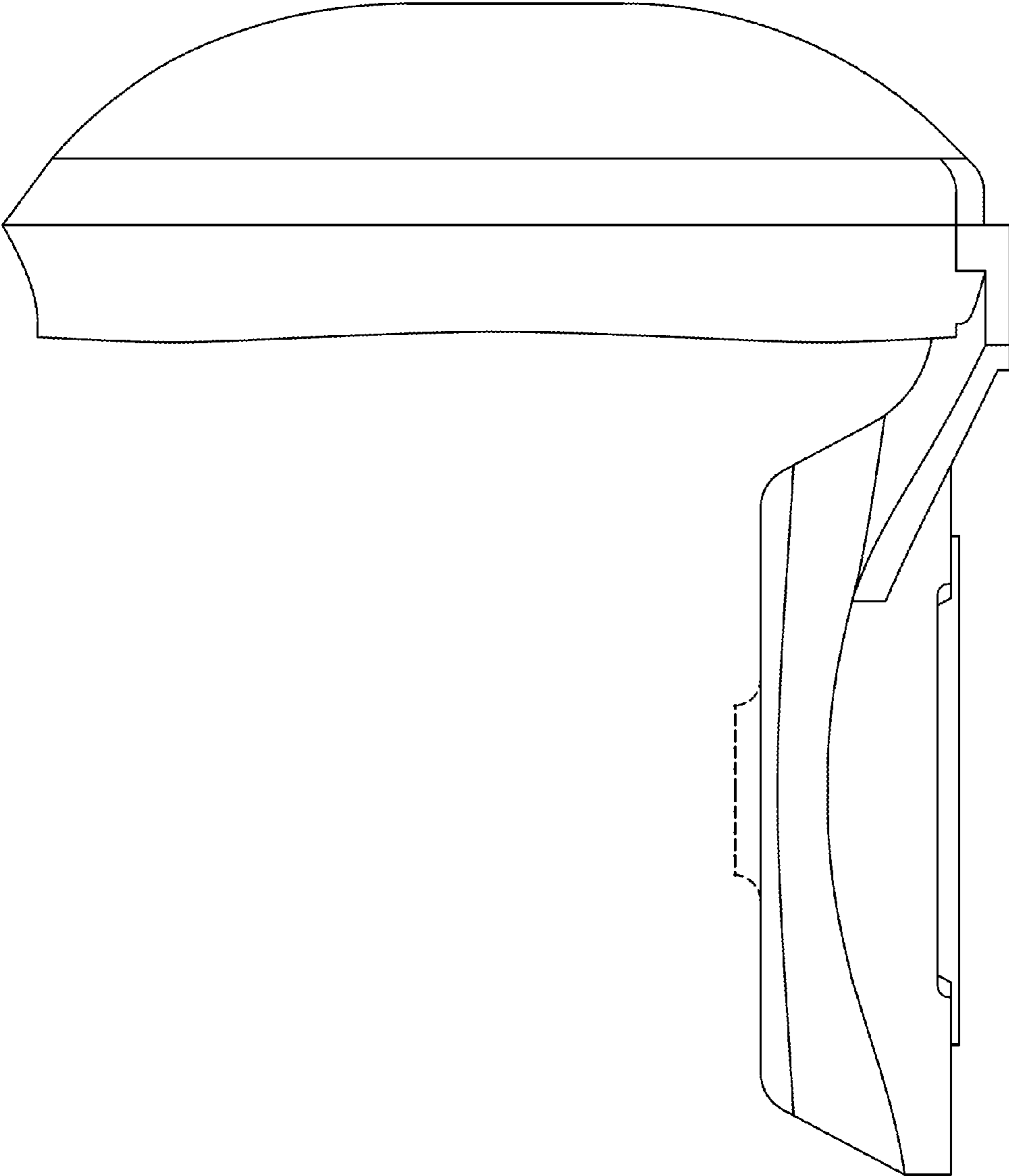


FIG. 13