

US00D696940S

(12) **United States Design Patent**
Hale et al.

(10) **Patent No.:** **US D696,940 S**
(45) **Date of Patent:** **** Jan. 7, 2014**

(54) **CUP LID**

(75) Inventors: **Bryan Hale**, Gurnee, IL (US); **Joseph Franklin**, Des Plaines, IL (US); **Paul Mueller**, Virgil, IL (US)

(73) Assignee: **Solo Cup Company**, Lake Forest, IL (US)

(**) Term: **14 Years**

(21) Appl. No.: **29/417,208**

(22) Filed: **Mar. 30, 2012**

(51) **LOC (10) Cl.** **09-07**

(52) **U.S. Cl.**
USPC **D9/447; D9/449**

(58) **Field of Classification Search**
USPC D9/449, 447, 438, 435, 434; D7/510, D7/511, 396.2, 392.1; 229/906.1; 220/812, 220/713, 268, 254.9, 254.3, 253
See application file for complete search history.

7,275,653	B2	10/2007	Tedford, Jr.	
D572,587	S	7/2008	Rush et al.	
D589,747	S *	4/2009	Wong	D7/396.2
D592,952	S	5/2009	Hundley et al.	
7,591,389	B2	9/2009	Wong	
7,641,070	B2	1/2010	Ho	
D614,954	S	5/2010	Crowell et al.	
7,784,641	B2	8/2010	Chou	
D624,413	S	9/2010	Selina et al.	
7,845,514	B2	12/2010	Rush et al.	
2003/0089726	A1 *	5/2003	Mazzarolo	220/712
2006/0096983	A1	5/2006	Patterson	
2006/0201945	A1 *	9/2006	Tedford	220/254.9
2006/0261068	A1 *	11/2006	Schmidtner et al.	220/254.9
2008/0000920	A1	1/2008	Ho	
2008/0054005	A1	3/2008	Cai	
2008/0105696	A1	5/2008	Dart et al.	
2008/0190946	A1	8/2008	Wong	
2009/0266828	A1	10/2009	Cai et al.	
2011/0121008	A1	5/2011	Lam	

* cited by examiner

Primary Examiner — Susan Bennett Hattan

(74) *Attorney, Agent, or Firm* — Hanley, Flight & Zimmerman, LLC.

(56) **References Cited**
U.S. PATENT DOCUMENTS

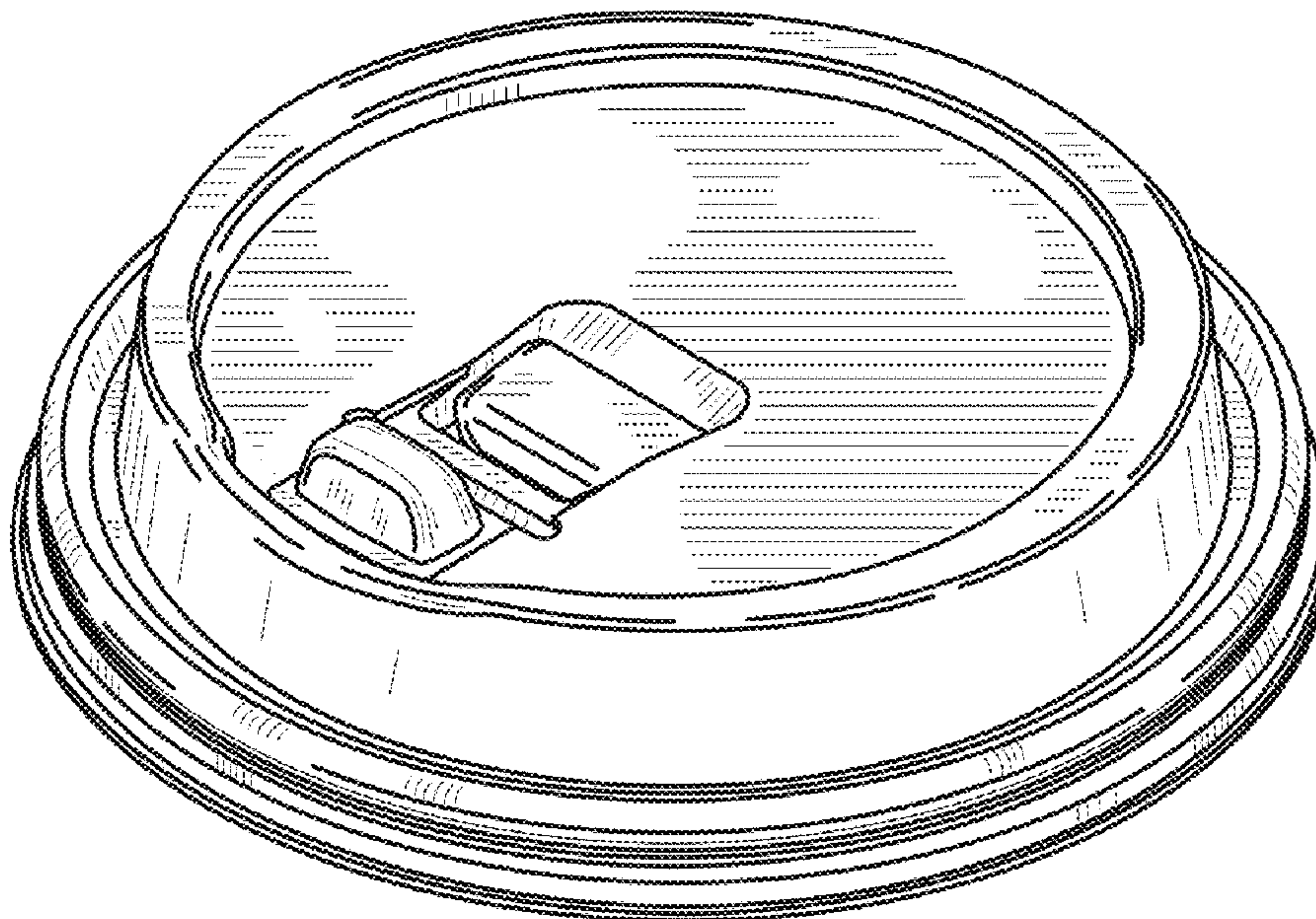
5,398,843	A	3/1995	Warden et al.	
5,509,568	A	4/1996	Warden et al.	
5,699,927	A	12/1997	Lane et al.	
5,839,601	A	11/1998	Van Melle	
5,911,331	A	6/1999	Boller	
5,947,323	A	9/1999	Freek et al.	
6,089,397	A	7/2000	Van Melle	
6,260,727	B1	7/2001	Durdon	
D447,412	S	9/2001	Durdon	
6,612,456	B1	9/2003	Hundley et al.	
D493,718	S *	8/2004	Durdon	D9/435
6,929,143	B2	8/2005	Mazzarolo	
D533,777	S	12/2006	Hundley et al.	
D538,653	S	3/2007	Robinson	

(57) **CLAIM**
The ornamental design for a cup lid, as shown and described.

DESCRIPTION

FIG. 1 is a perspective view of a cup lid.
 FIG. 2 is a top view of the cup lid of FIG. 1.
 FIG. 3 is a front view of the cup lid of FIG. 1.
 FIG. 4 is a rear view of the cup lid of FIG. 1.
 FIG. 5 is a right side view of the cup lid of FIG. 1; and,
 FIG. 6 is a left side view of the cup lid of FIG. 1.
 The features shown in broken lines are for illustrative purposes only and do not form part of the claimed design.

1 Claim, 3 Drawing Sheets



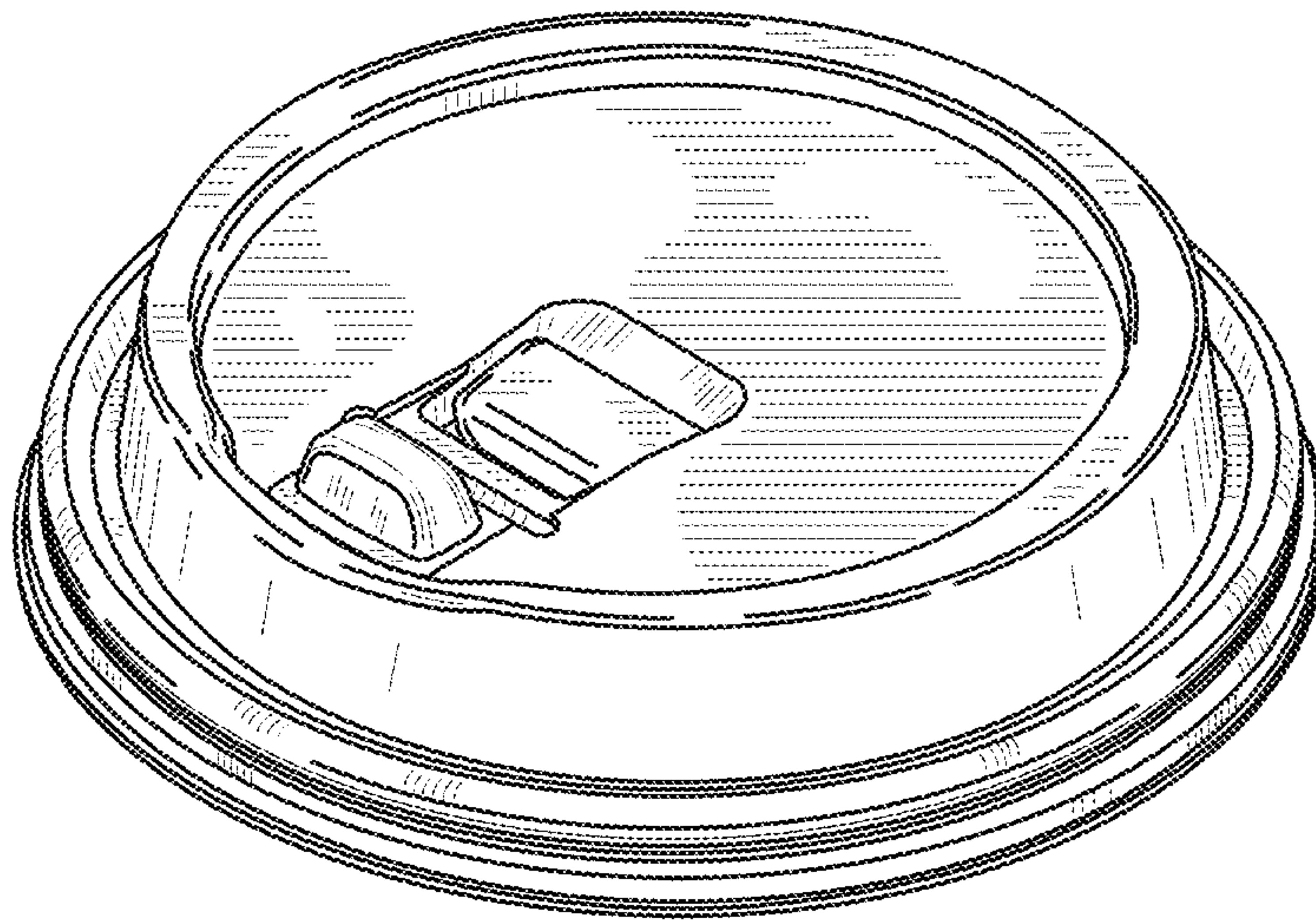


FIG. 1

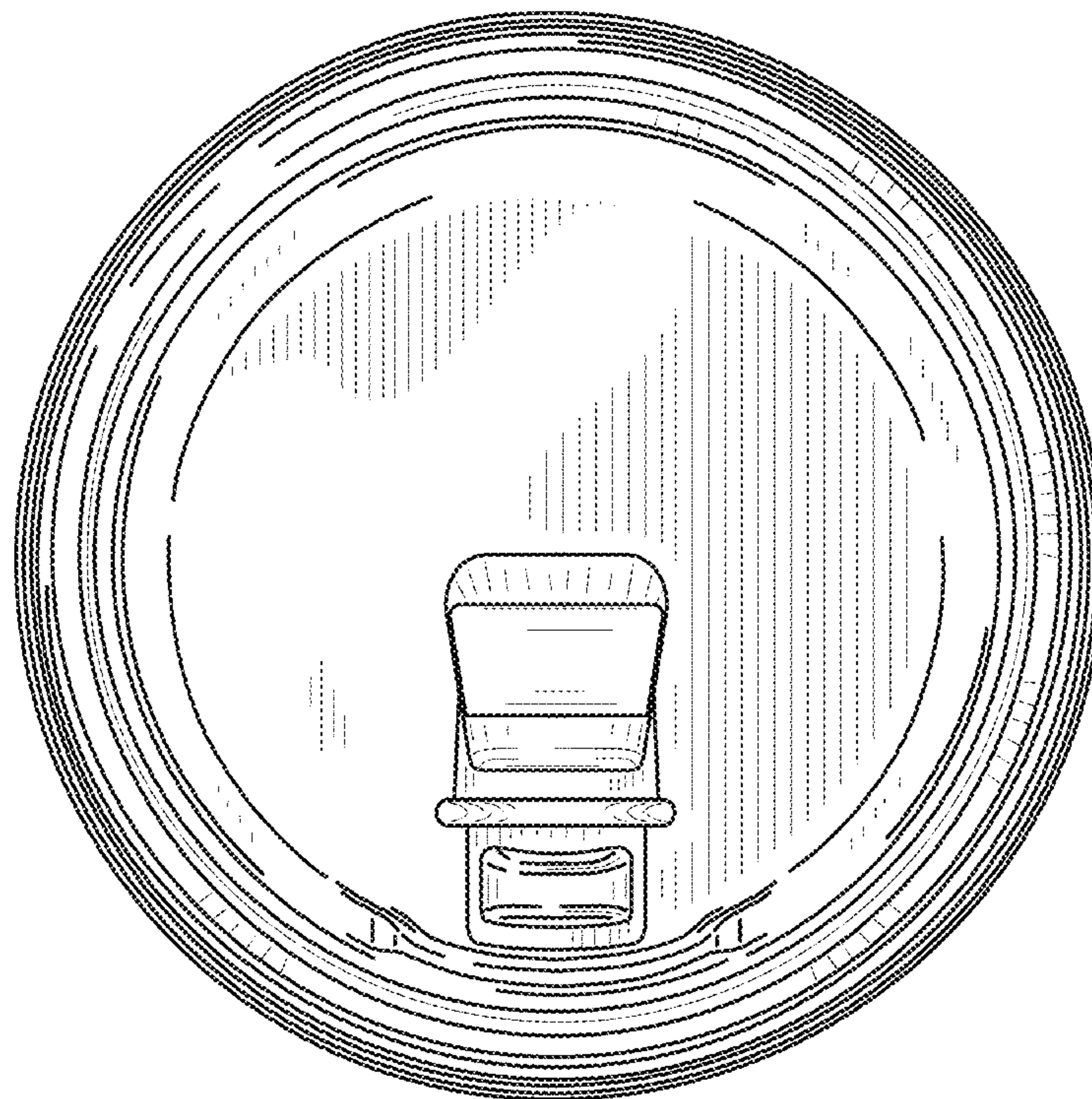


FIG. 2

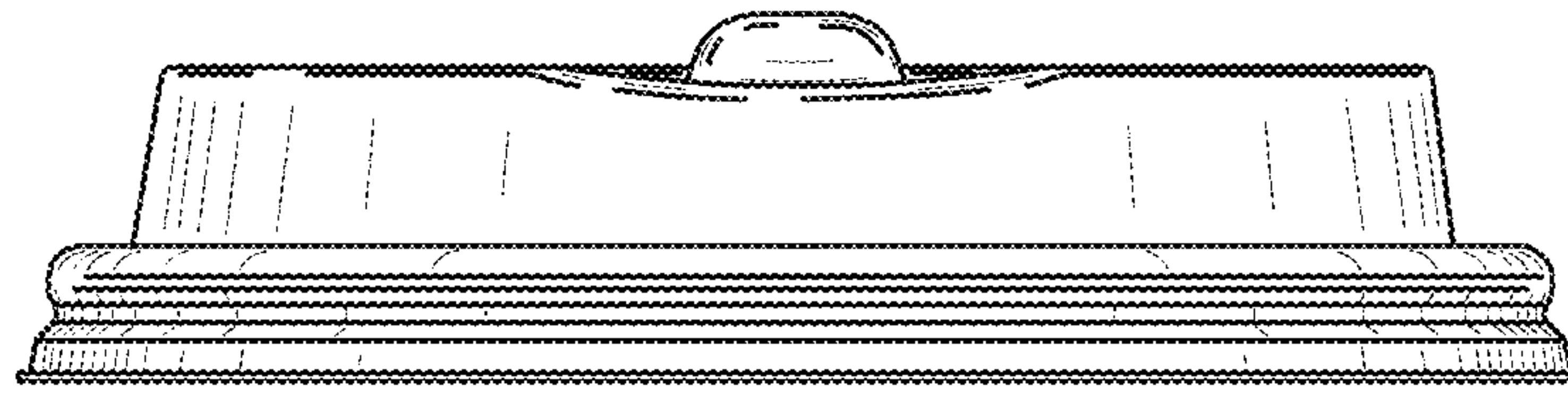


FIG. 3

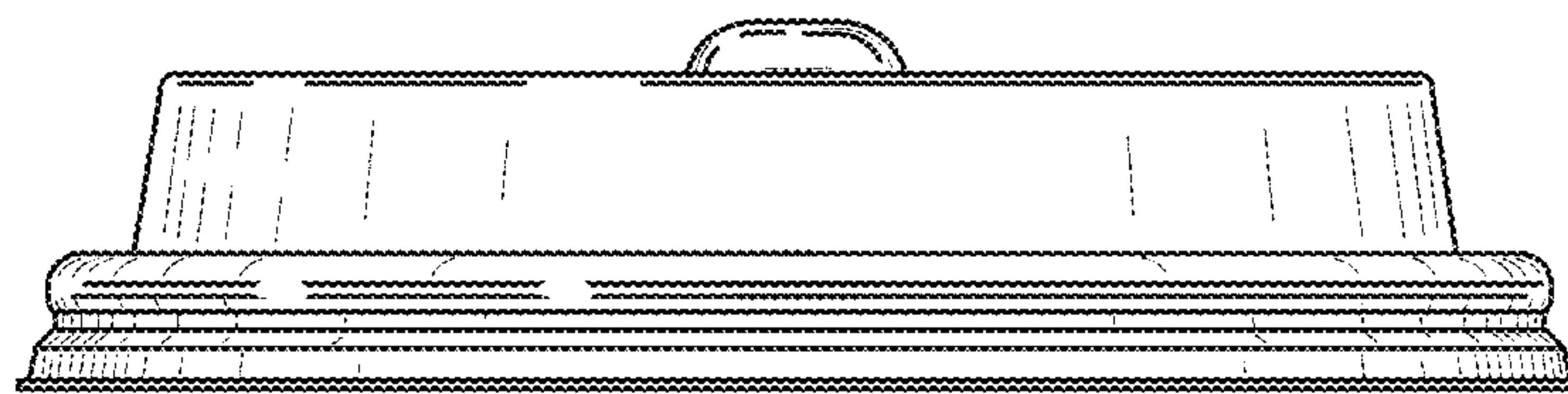


FIG. 4

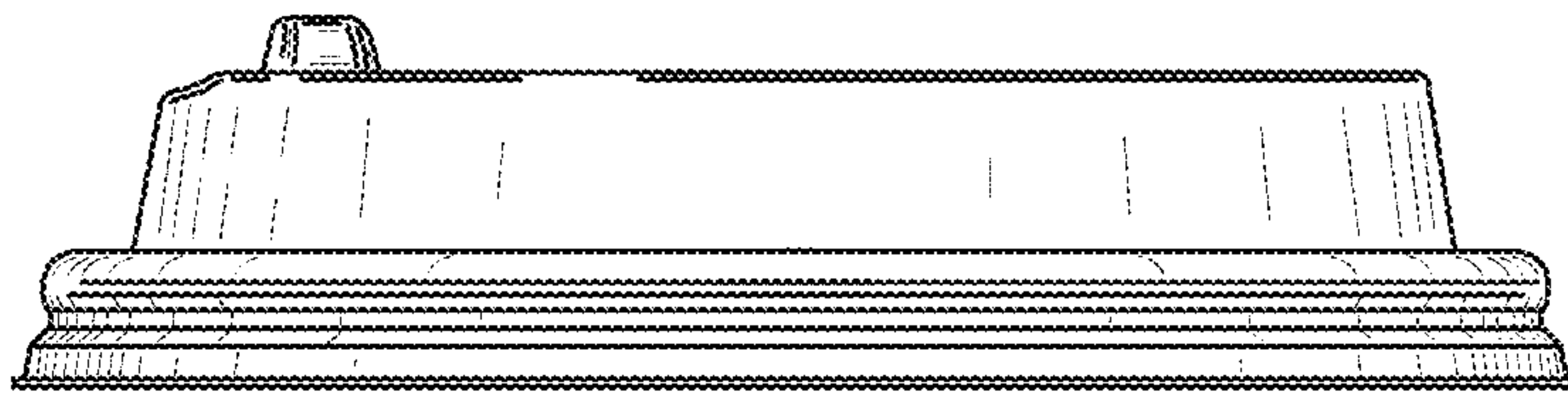


FIG. 5

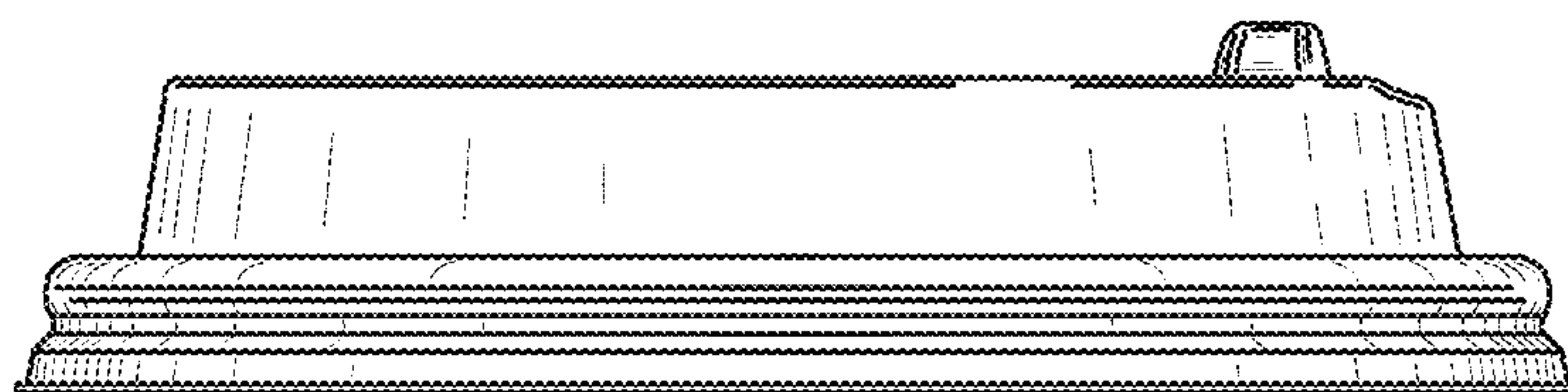


FIG. 6