



US00D696939S

(12) **United States Design Patent**  
**Federighi**

(10) **Patent No.:** **US D696,939 S**  
(45) **Date of Patent:** **\*\* Jan. 7, 2014**

(54) **POUR SPOUT WITH CHILLER ROD**

D677,525 S \* 3/2013 Luebke ..... D7/398  
D682,691 S \* 5/2013 Hewitt et al. .... D9/439  
8,514,350 B2 \* 8/2013 Tsukahara et al. .... 349/71

(71) Applicant: **William Federighi**, Novato, CA (US)

\* cited by examiner

(72) Inventor: **William Federighi**, Novato, CA (US)

*Primary Examiner* — Marianne Pandozzi

(\*\*) Term: **14 Years**

(74) *Attorney, Agent, or Firm* — Howard Cohen

(21) Appl. No.: **29/421,909**

(22) Filed: **Oct. 17, 2012**

(51) **LOC (10) Cl.** ..... **09-07**

(52) **U.S. Cl.**  
USPC ..... **D9/440**; D7/398

(58) **Field of Classification Search**  
USPC ..... D7/398, 397; 141/292; D9/440, 447;  
222/190, 567  
See application file for complete search history.

(57) **CLAIM**

The ornamental design for a pour spout with chiller rod, as shown and described.

**DESCRIPTION**

FIG. 1 is a perspective side view of the pour spout with chiller rod of the invention.

FIG. 2 is a front view of the pour spout with chiller rod.

FIG. 3 is a rear view of the pour spout with chiller rod.

FIG. 4 is a left side view of the pour spout with chiller rod.

FIG. 5 is an exploded right side view of the pour spout with chiller rod with the cover partially open.

FIG. 6 is a top end view of the pour spout with chiller rod.

FIG. 7 is a bottom end view with the cover closed; and,

FIG. 8 is a top end view taken along line 8-8 of FIG. 5.

The broken lines in the drawings are included for the purpose of illustration and form no part of the claimed design.

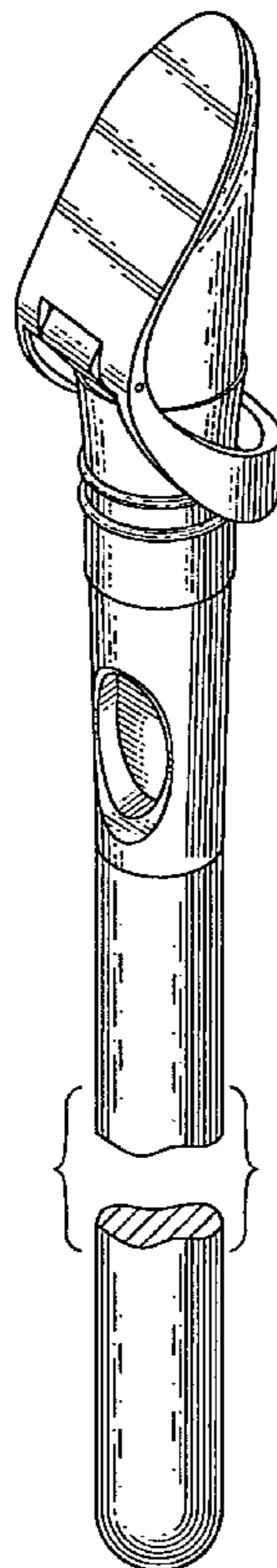
The article is a pour spot for a bottle opening, with a rod depending from the spout into the bottle.

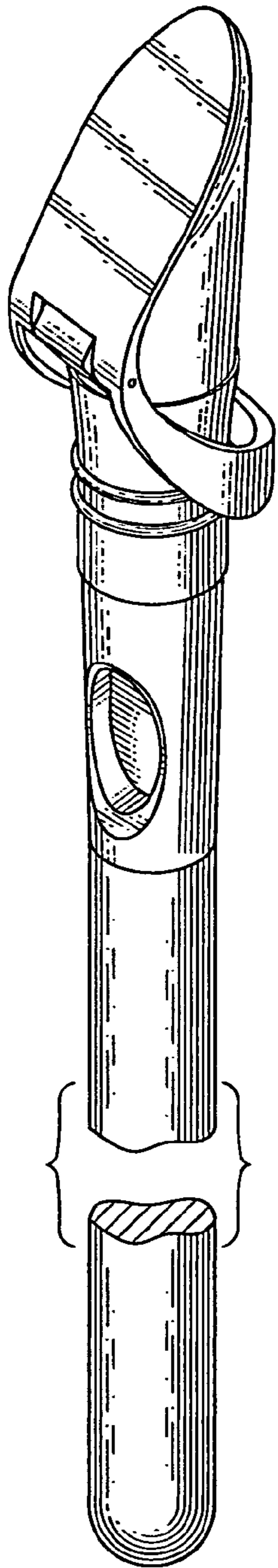
(56) **References Cited**

U.S. PATENT DOCUMENTS

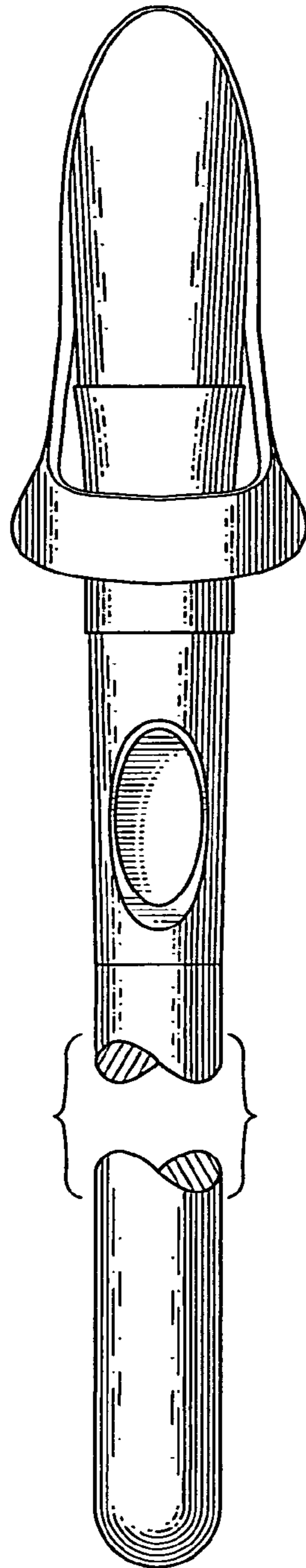
D114,097 S *	4/1939	Cory	.....	D7/400
D421,908 S *	3/2000	Abrams	.....	D9/440
D553,776 S *	10/2007	Liu	.....	D26/49
D614,443 S *	4/2010	Federighi	.....	D7/398
8,201,595 B2 *	6/2012	Trippi, Jr.	.....	141/292
8,245,882 B1 *	8/2012	Federighi	.....	222/190
8,251,352 B2 *	8/2012	Chiorazzi et al.	.....	261/76
D671,524 S *	11/2012	Fathollahi	.....	D14/211
8,365,964 B2 *	2/2013	Federighi	.....	222/190

**1 Claim, 2 Drawing Sheets**

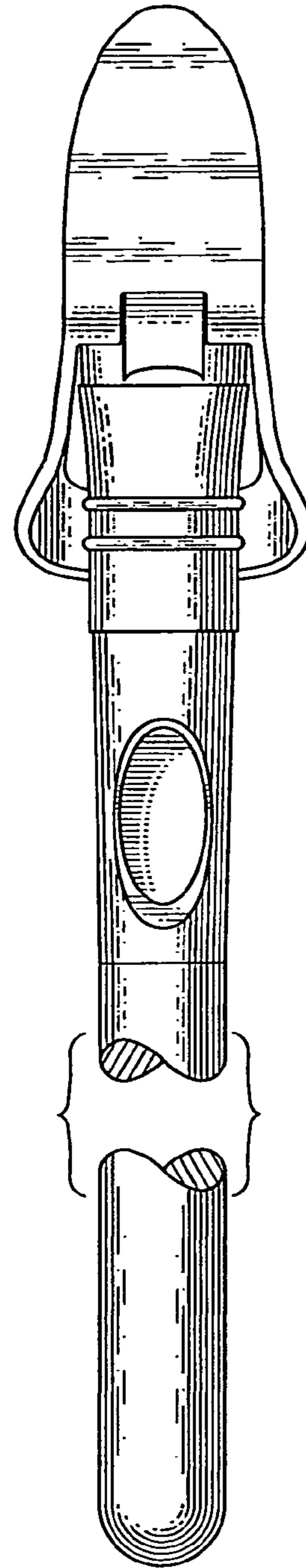




*Fig. 1*



*Fig. 2*



*Fig. 3*

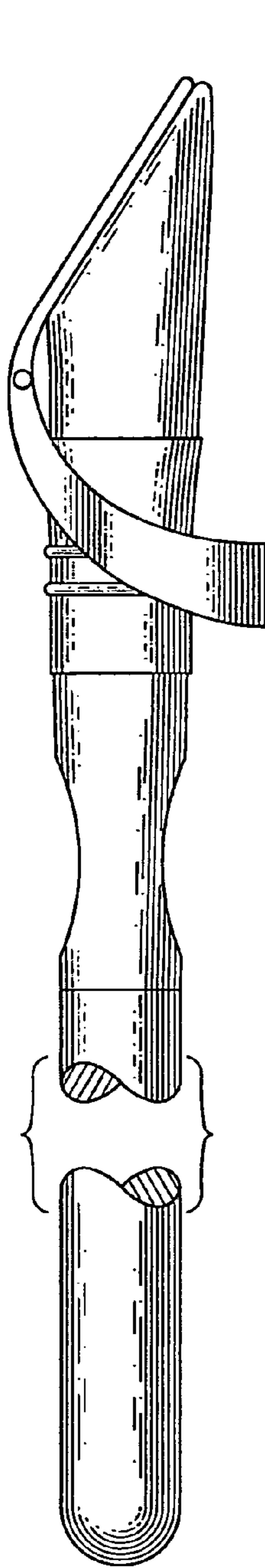


Fig. 4

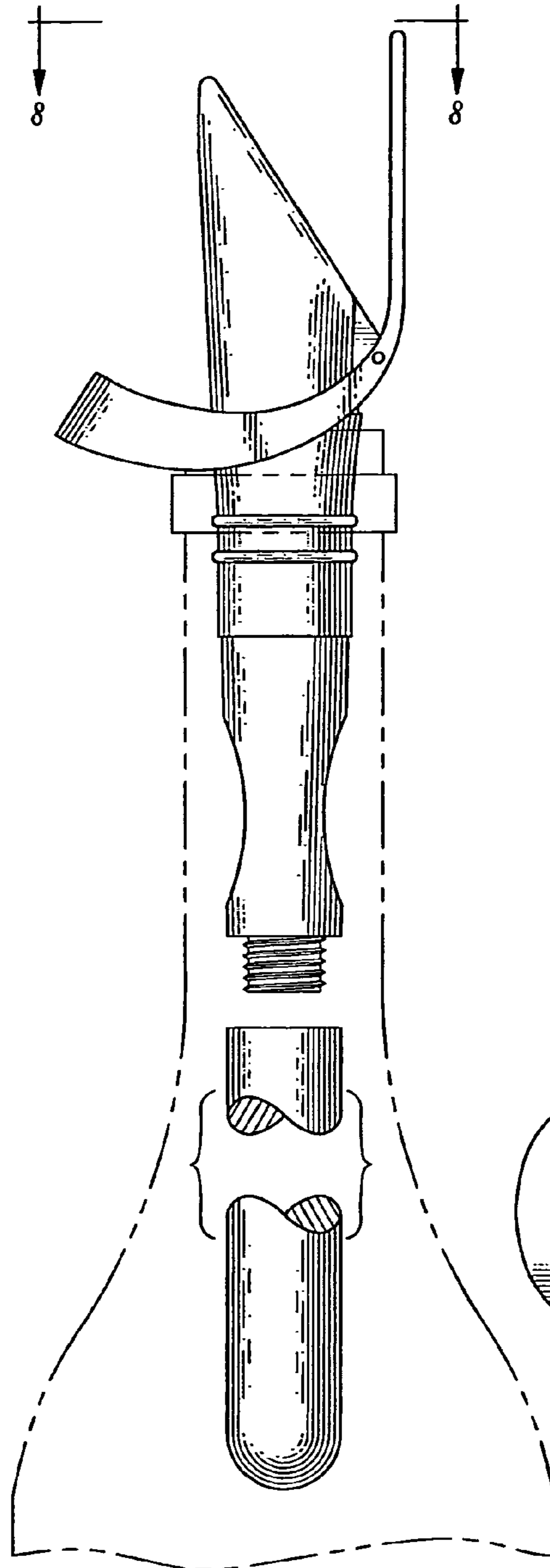


Fig. 5

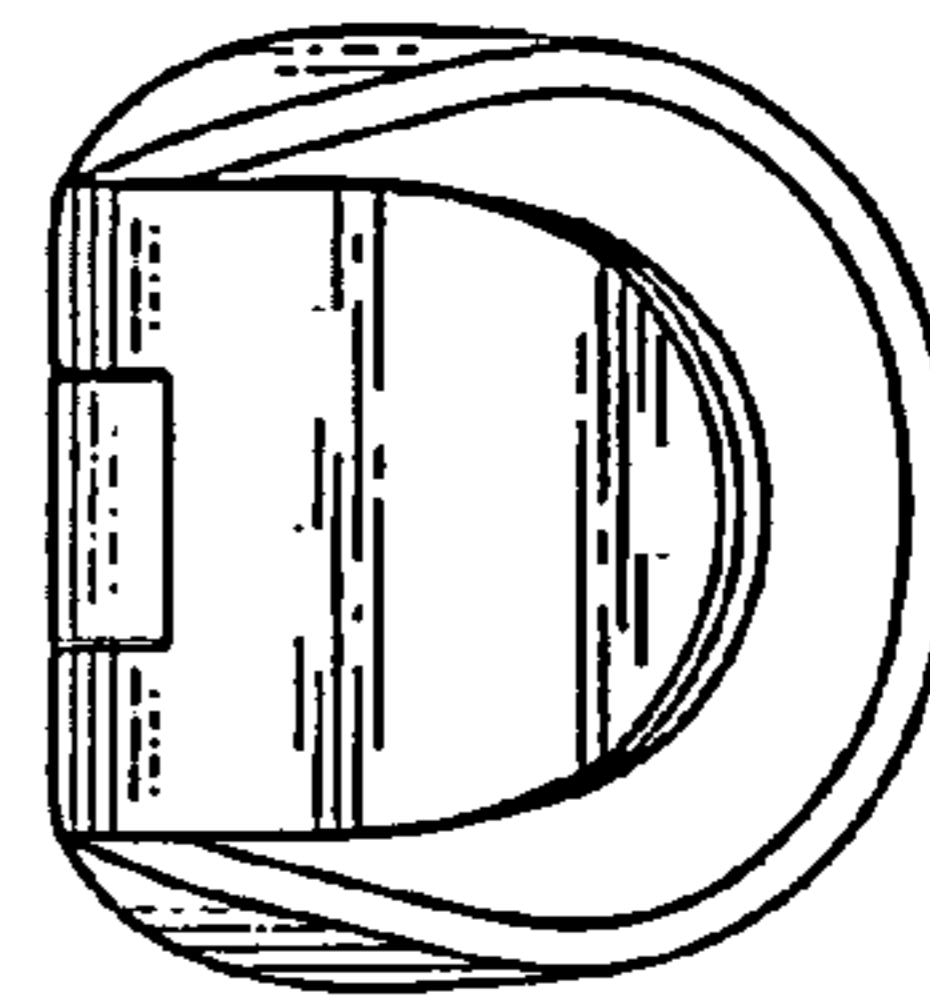


Fig. 6

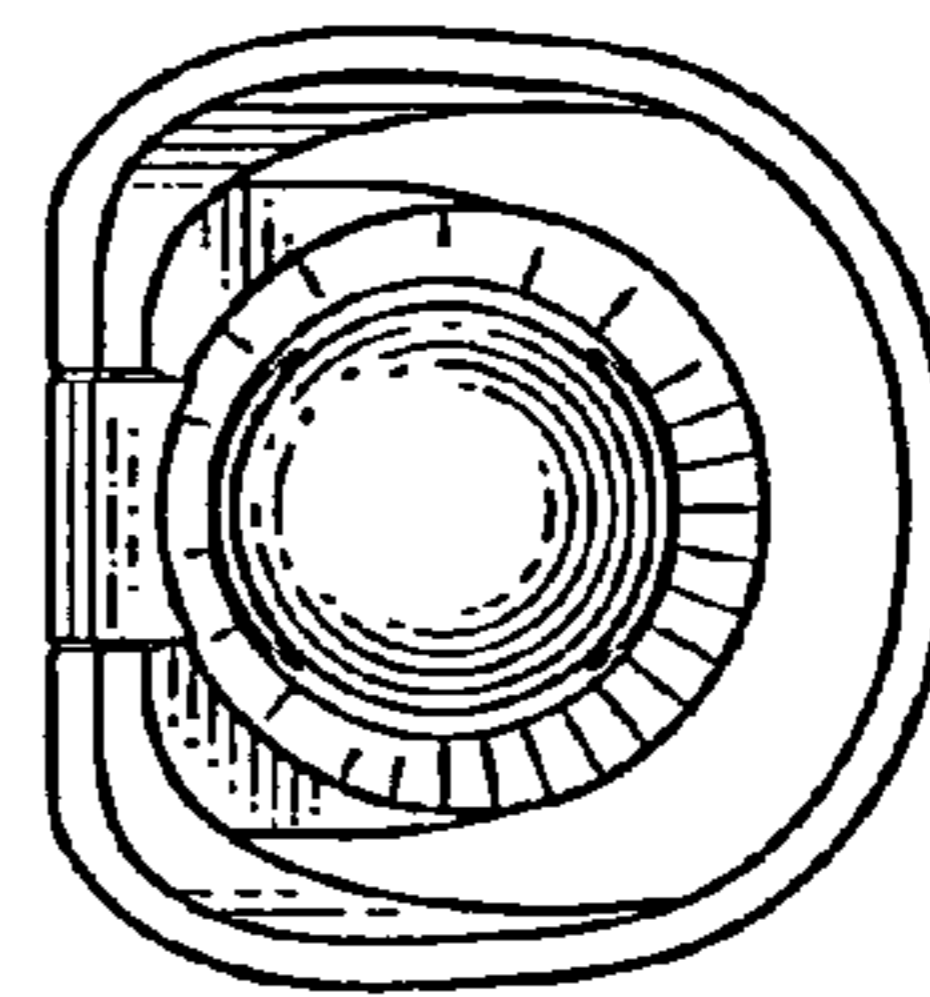


Fig. 7

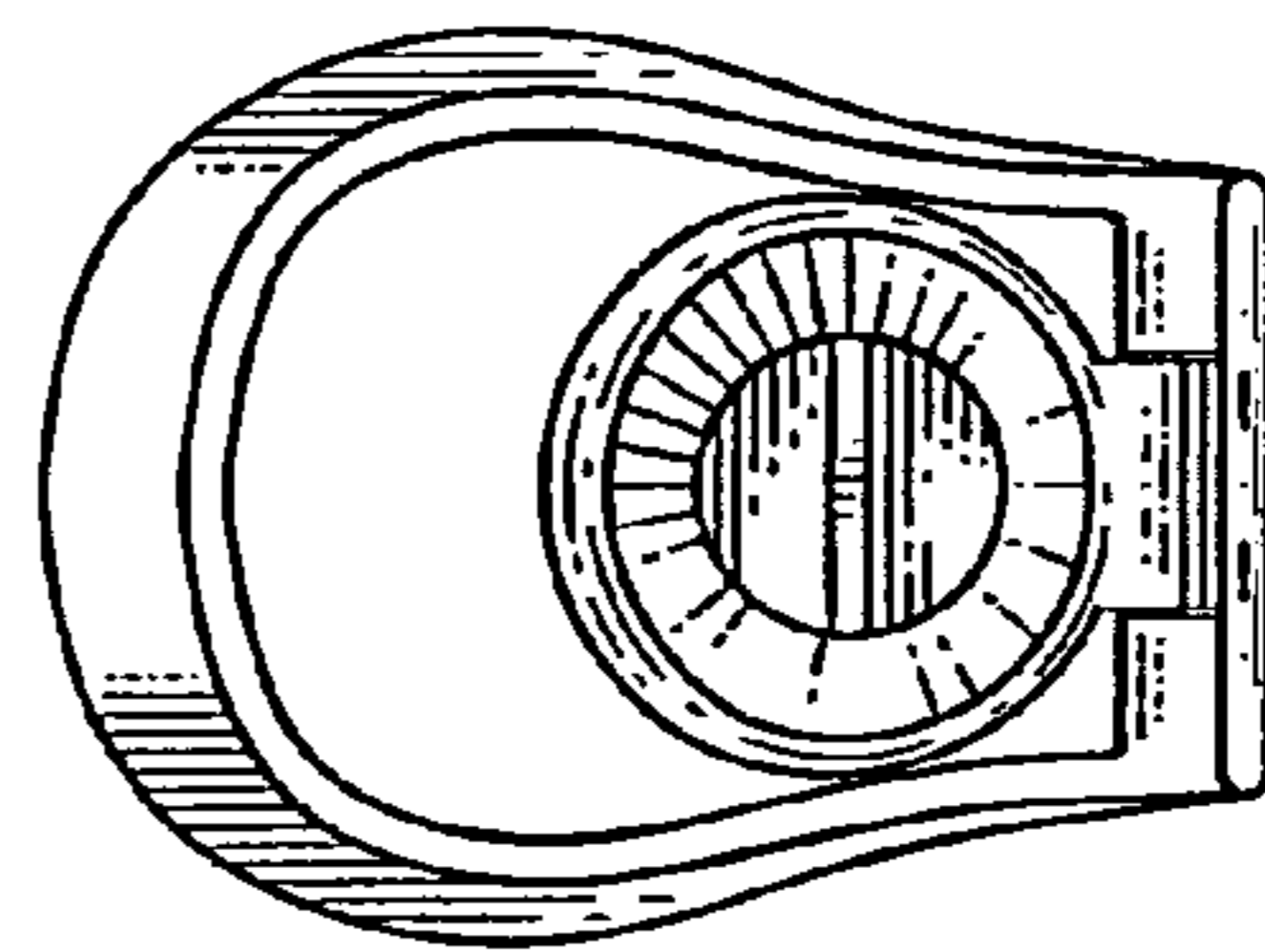


Fig. 8