



US00D696937S

(12) **United States Design Patent**  
**Prater et al.**

(10) **Patent No.:** **US D696,937 S**  
(45) **Date of Patent:** **\*\* Jan. 7, 2014**

(54) **PACKAGE FOR A CONSUMER PRODUCT**

(75) Inventors: **Rodney L. Prater**, Oak Creek, WI (US);  
**Charles C. Routhier**, Dobbs Ferry, NY (US)

(73) Assignee: **S.C. Johnson & Son, Inc.**, Racine, WI (US)

(\*\*) Term: **14 Years**

(21) Appl. No.: **29/424,967**

(22) Filed: **Jun. 18, 2012**

(51) **LOC (10) Cl.** ..... **09-03**

(52) **U.S. Cl.**  
USPC ..... **D9/425**

(58) **Field of Classification Search**  
USPC ..... D9/414, 415, 416, 418, 424, 425, 428,  
D9/429, 431, 432, 434; D7/619, 629;  
229/400-406, 932, 906.1;  
220/656-659, 669-675, 912,  
220/4.21-4.27; 206/553, 557, 541, 775,  
206/776

See application file for complete search history.

(56) **References Cited**

**U.S. PATENT DOCUMENTS**

3,972,418 A	8/1976	Schuler et al.	
D455,321 S	* 4/2002	Jung et al.	D7/629
D463,912 S	* 10/2002	Liebe	D3/294
D469,319 S	* 1/2003	Pettaweebuncha	D7/629
D469,665 S	* 2/2003	Pettaweebuncha	D7/629
D476,810 S	* 7/2003	Liebe	D3/294
D490,277 S	* 5/2004	Kim	D7/629
D495,246 S	* 8/2004	Tomassetti	D9/415
D496,267 S	* 9/2004	Tomassetti	D9/415
D510,263 S	* 10/2005	Isono et al.	D9/425

D531,506 S	11/2006	Aitkenhead	
D534,066 S	* 12/2006	Arkins	D9/414
D535,554 S	1/2007	Kent	
D536,608 S	* 2/2007	Arkins	D9/414
D539,100 S	* 3/2007	Zhao	D7/629
D549,573 S	* 8/2007	Liebe et al.	D9/420
D550,043 S	* 9/2007	Brattoli	D7/554.3
D553,007 S	10/2007	Goodwin et al.	
D553,974 S	* 10/2007	Croft et al.	D9/418
D558,606 S	1/2008	Watson et al.	
D558,921 S	* 1/2008	Schwartz et al.	D28/8.1
D561,580 S	* 2/2008	Croft et al.	D9/418
D561,581 S	* 2/2008	Croft et al.	D9/418
D569,722 S	* 5/2008	Stamper et al.	D9/425
D571,672 S	6/2008	Murray	

(Continued)

*Primary Examiner* — Thomas Johannes

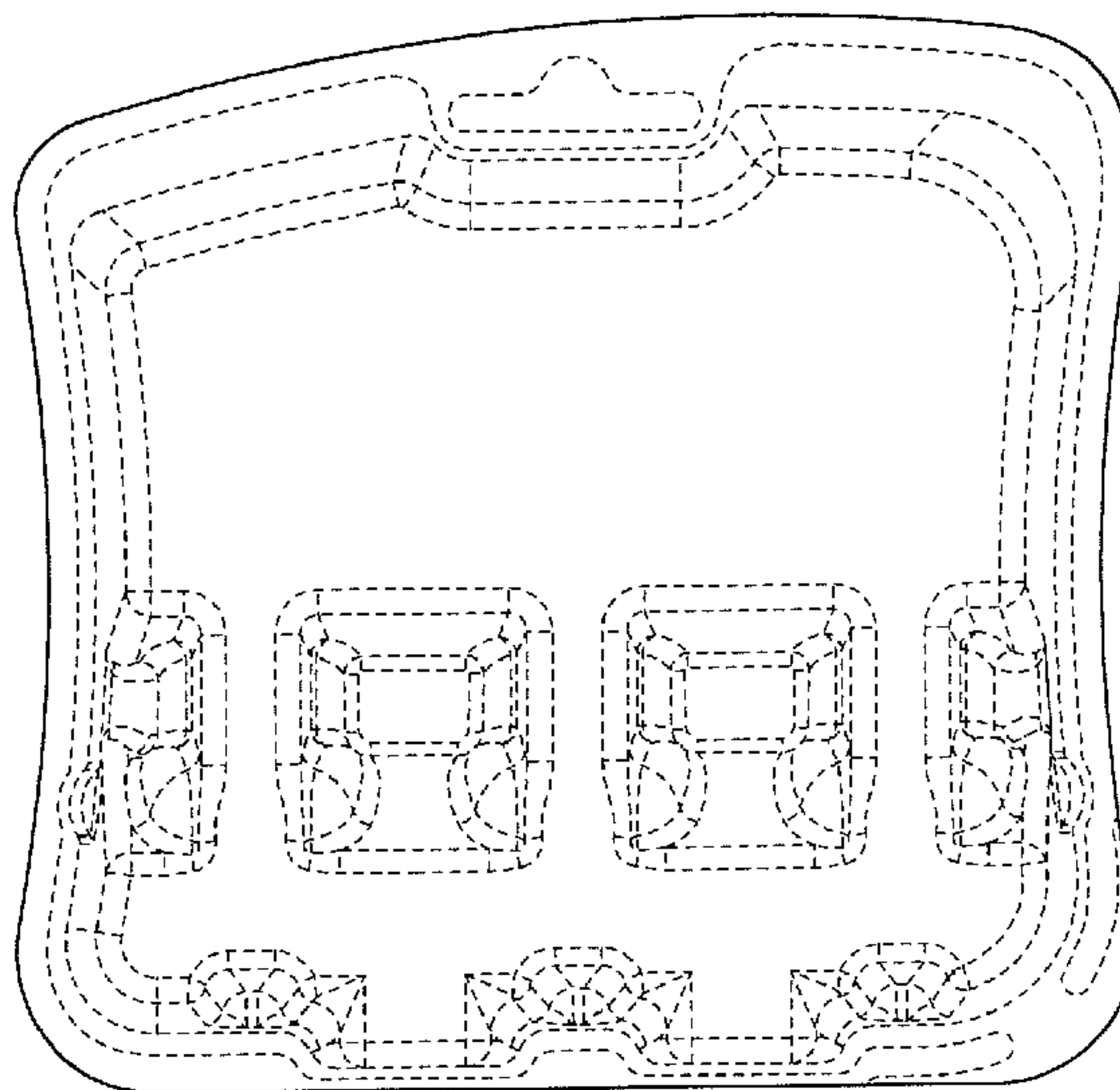
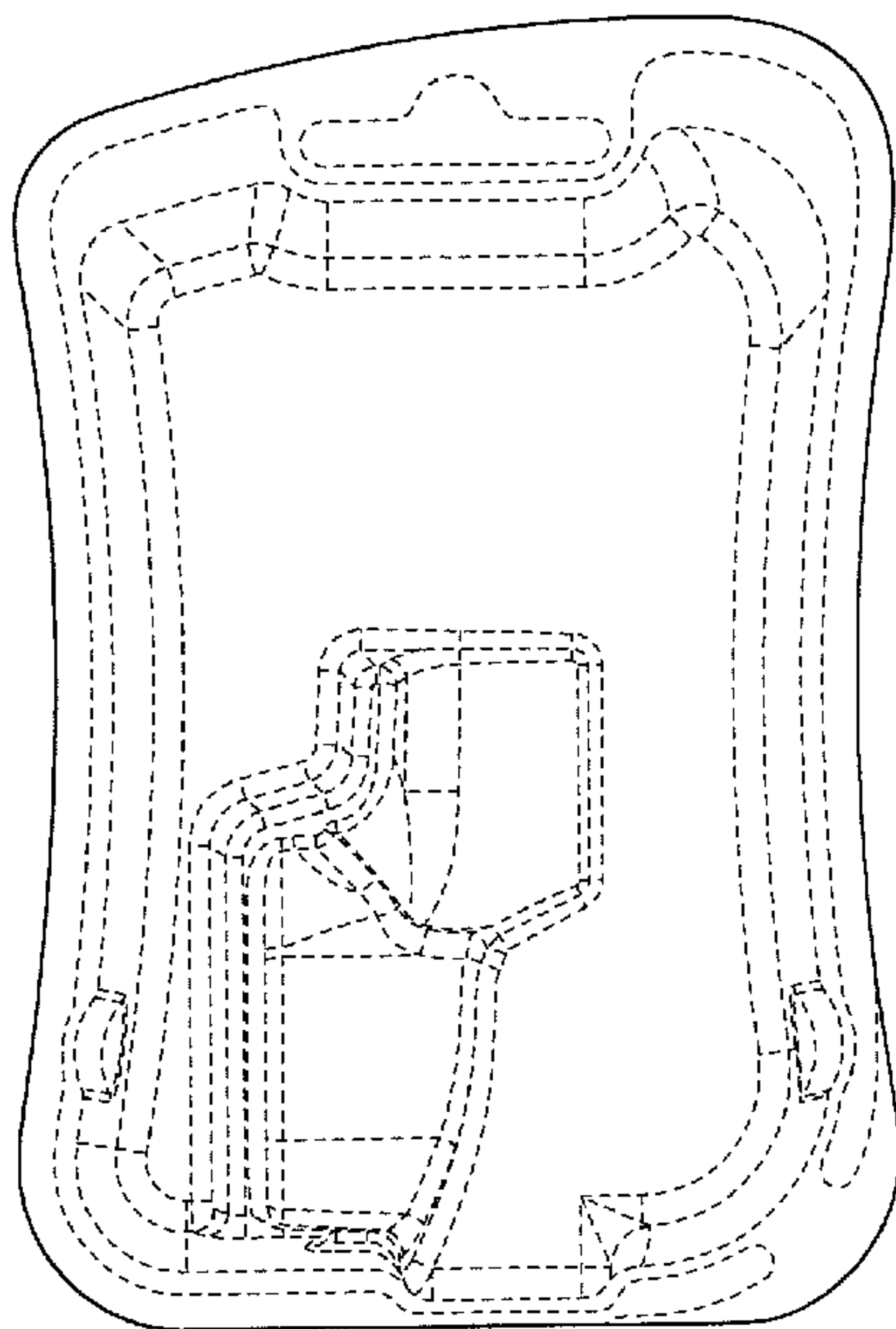
(57) **CLAIM**

The ornamental design for a package for a consumer product, as shown and described.

**DESCRIPTION**

FIG. 1 is a top isometric view of an ornamental design for a first embodiment of a package for a consumer product; FIG. 2 is a front elevational view of the package of FIG. 1; FIG. 3 is a top isometric view of an ornamental design for a second embodiment of a package for a consumer product; FIG. 4 is a front elevational view of the package of FIG. 3; FIG. 5 is a top isometric view of an ornamental design for a third embodiment of a package for a consumer product; FIG. 6 is a front elevational view of the package of FIG. 5; FIG. 7 is a top isometric view of an ornamental design for a fourth embodiment of a package for a consumer product; and, FIG. 8 is a front elevational view of the package of FIG. 7. The broken lines in the drawings depict environmental subject matter only and form no part of the claimed design.

**1 Claim, 4 Drawing Sheets**



(56)

**References Cited**

U.S. PATENT DOCUMENTS

D591,162 S *	4/2009	Slabaugh .....	D9/607	D632,564 S	2/2011	Caldwell et al.	
D599,214 S	9/2009	Born et al.		D632,956 S *	2/2011	Fuller et al. ....	D9/424
D599,657 S	9/2009	Bruno et al.		D634,649 S	3/2011	Wonderley et al.	
D603,696 S *	11/2009	Cardinal et al. ....	D9/420	D642,910 S	8/2011	Graham et al.	
D607,323 S	1/2010	Bruno et al.		D646,567 S	10/2011	Graham et al.	
D614,491 S	4/2010	Rhoad		D651,477 S *	1/2012	Nie .....	D7/629
D619,018 S	7/2010	Karay et al.		D651,479 S *	1/2012	Nie .....	D7/629
7,854,320 B2	12/2010	Greene et al.		2007/0090010 A1	4/2007	Crabtree	
				2009/0321292 A1	12/2009	Prudden, Jr. et al.	
				2010/0276418 A1 *	11/2010	Gartz et al. ....	220/4.23
				2011/0303571 A1	12/2011	Loce	

\* cited by examiner

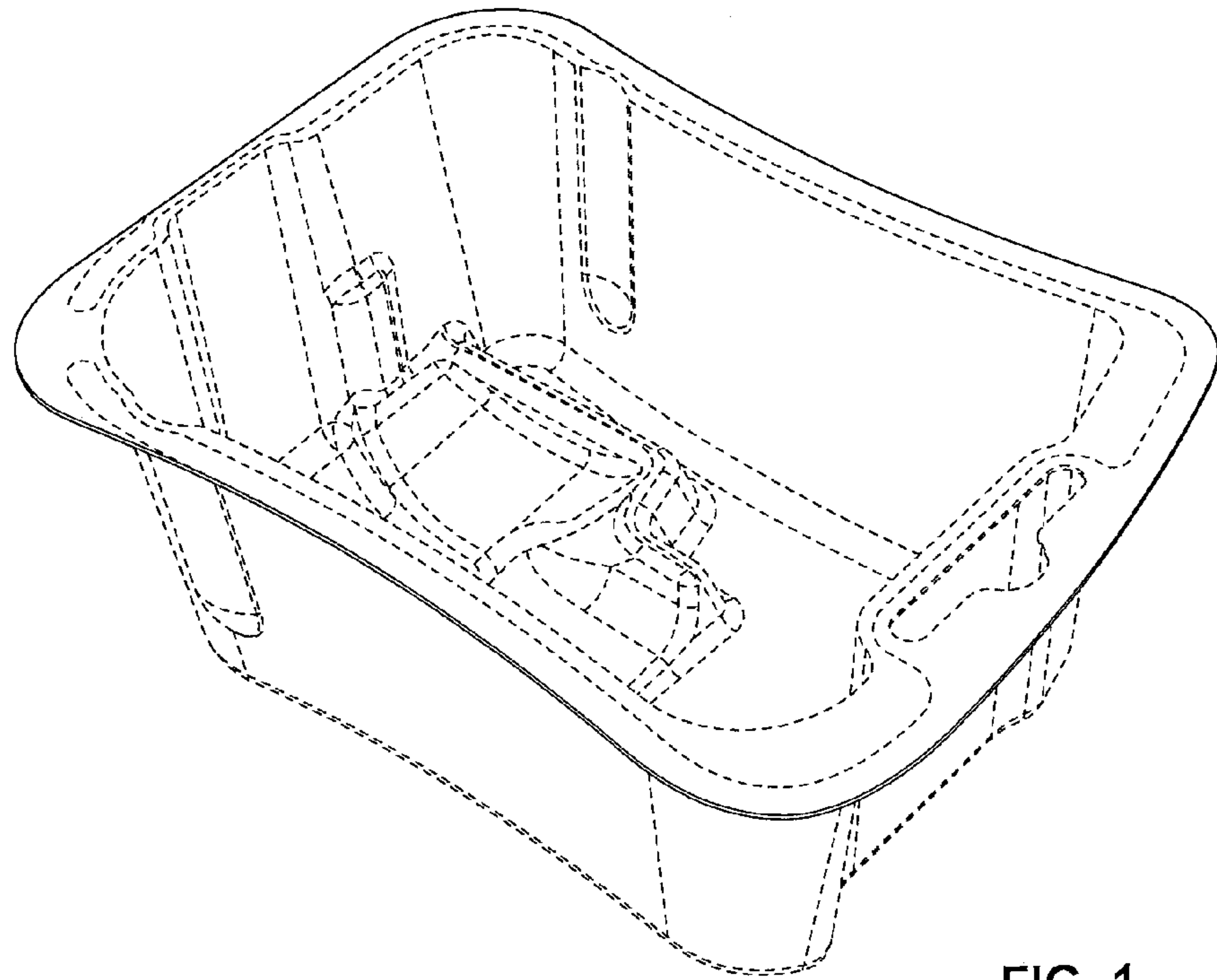


FIG. 1

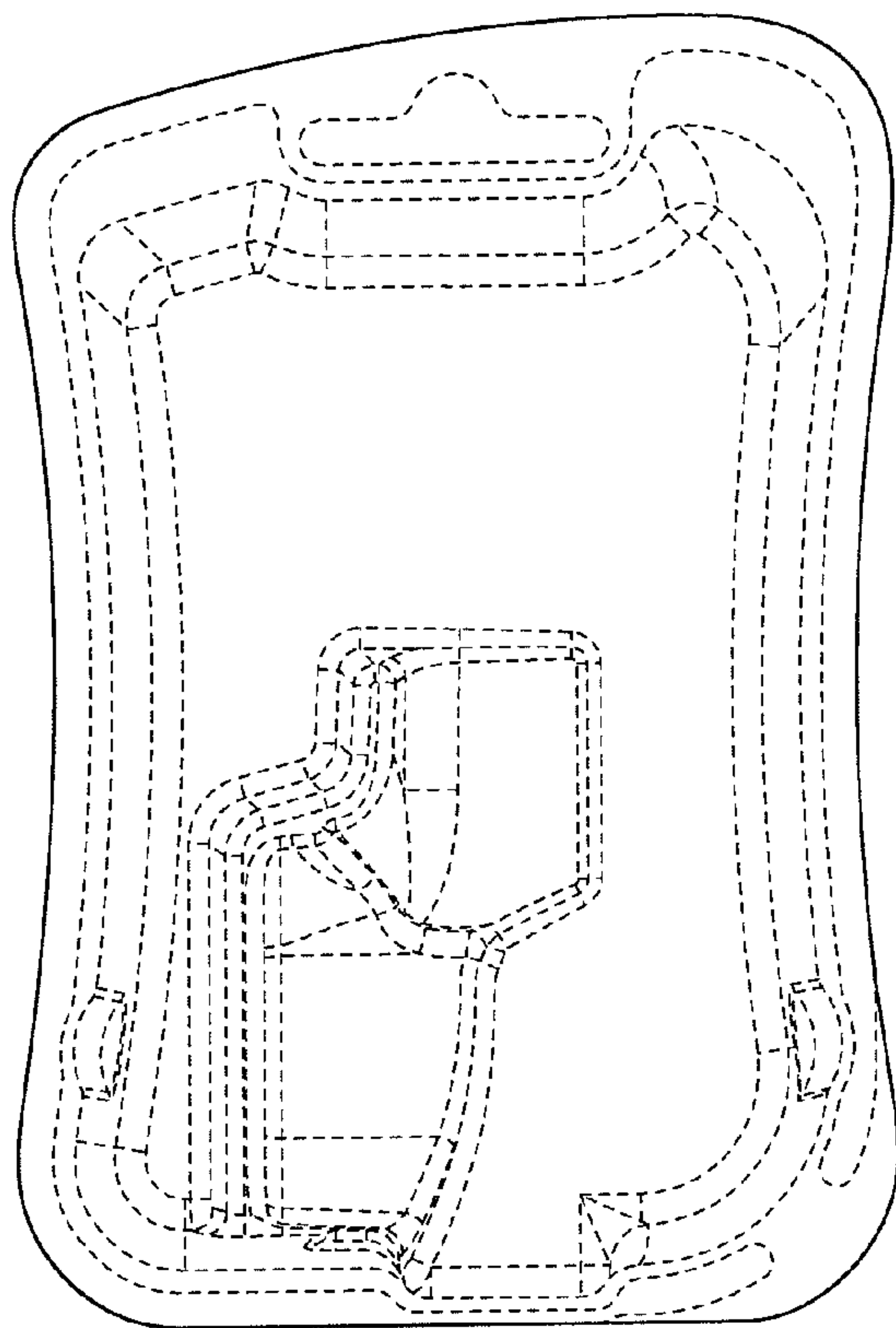


FIG. 2

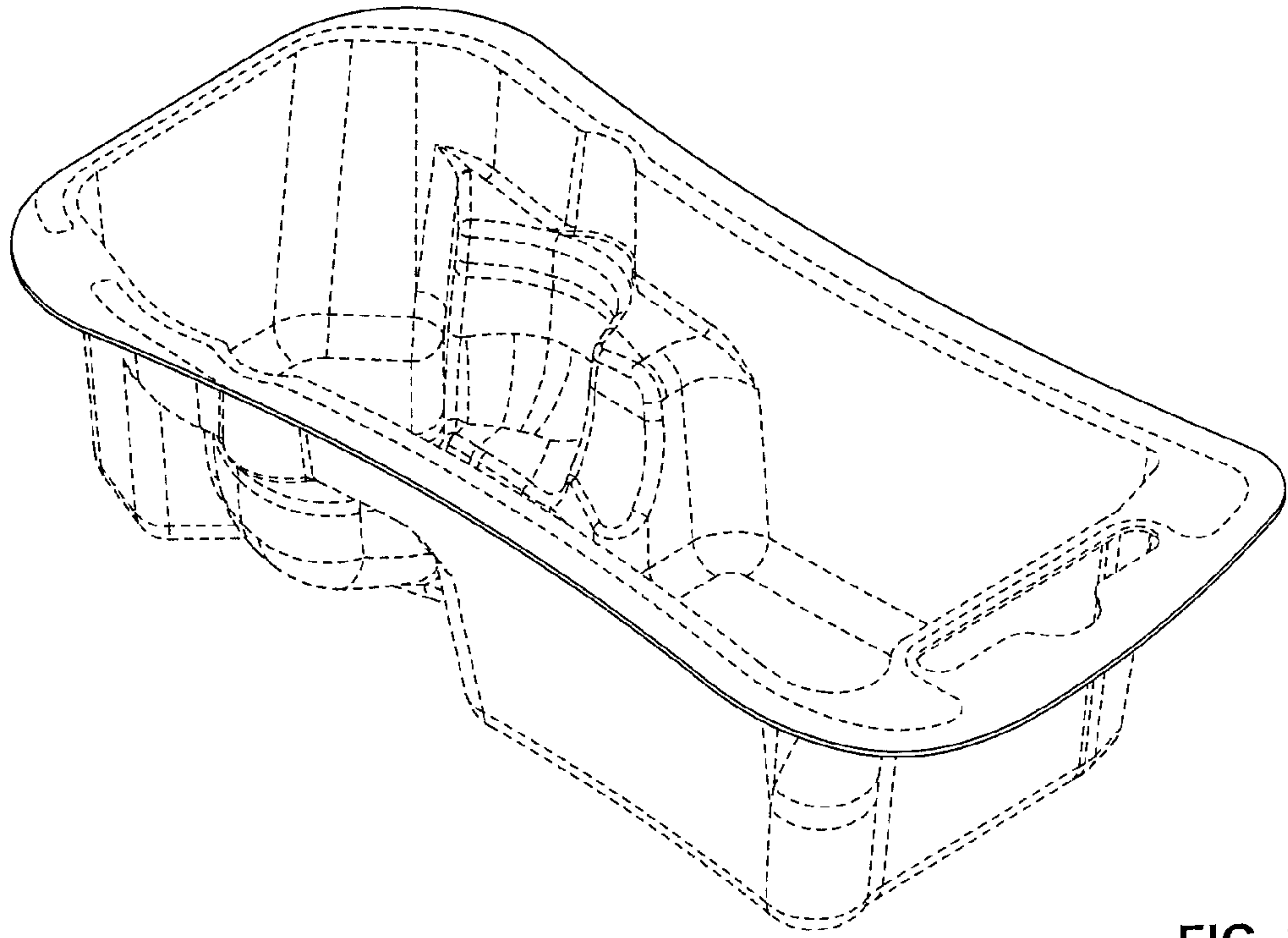


FIG. 3

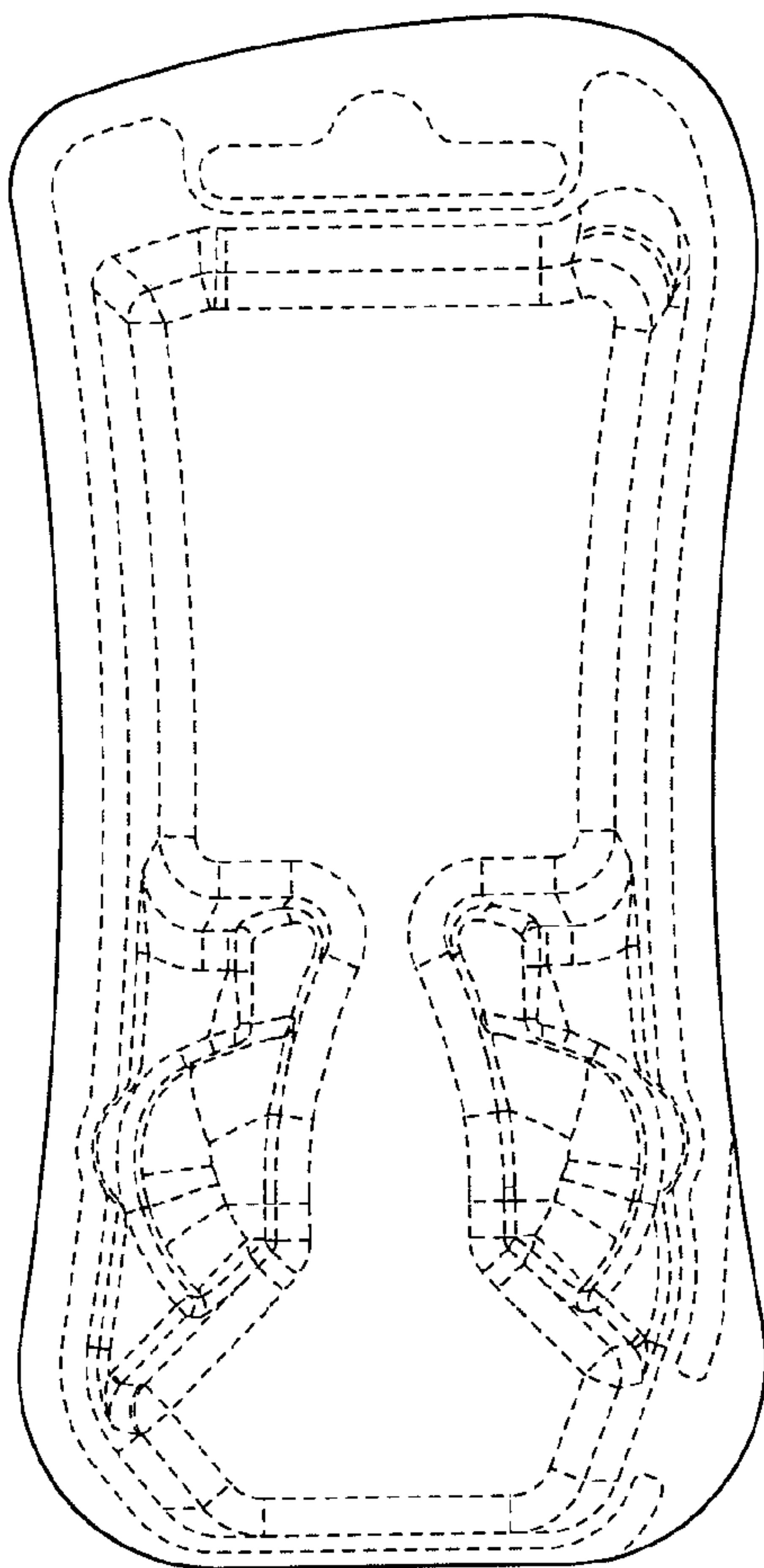


FIG. 4



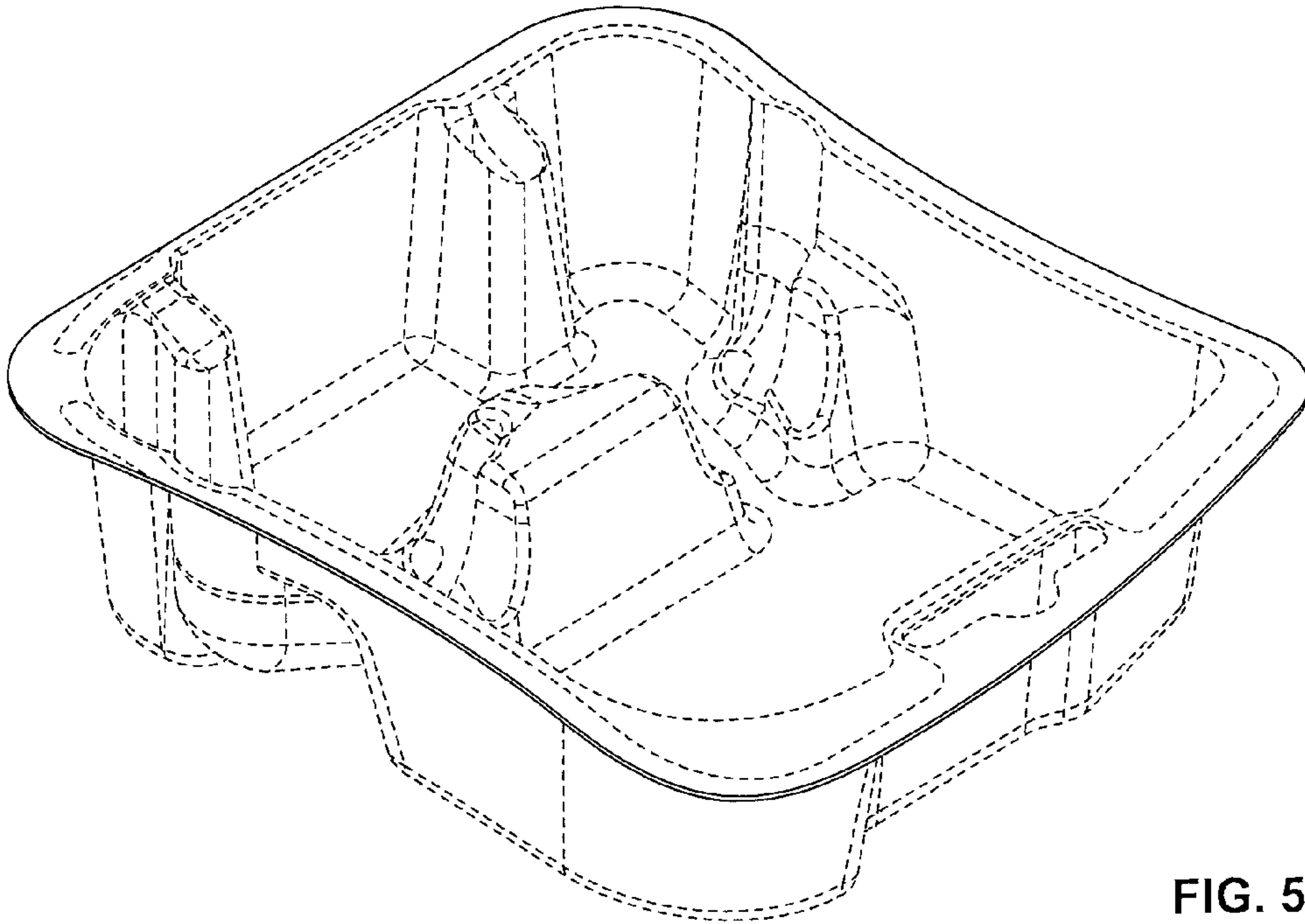


FIG. 5

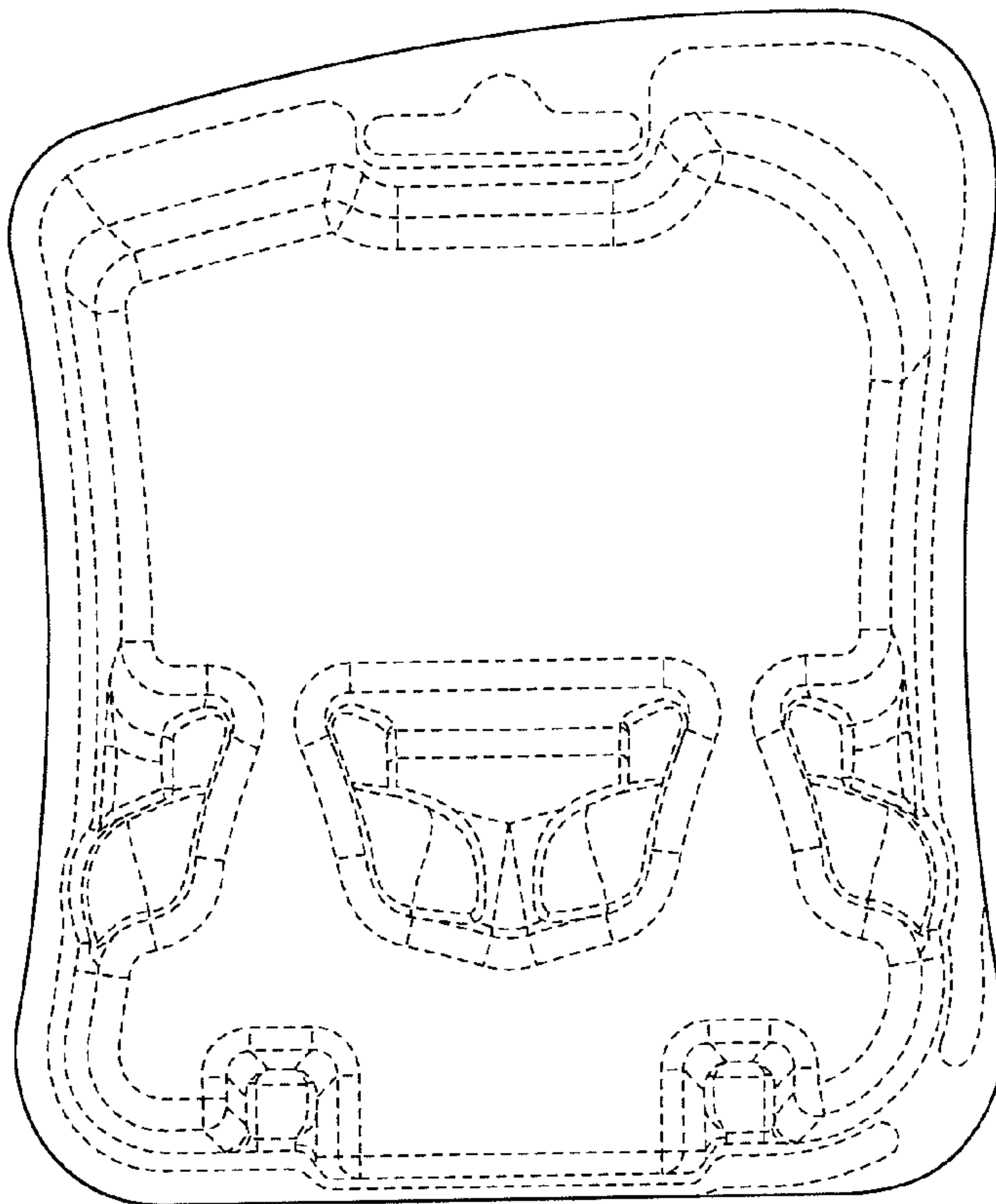


FIG. 6

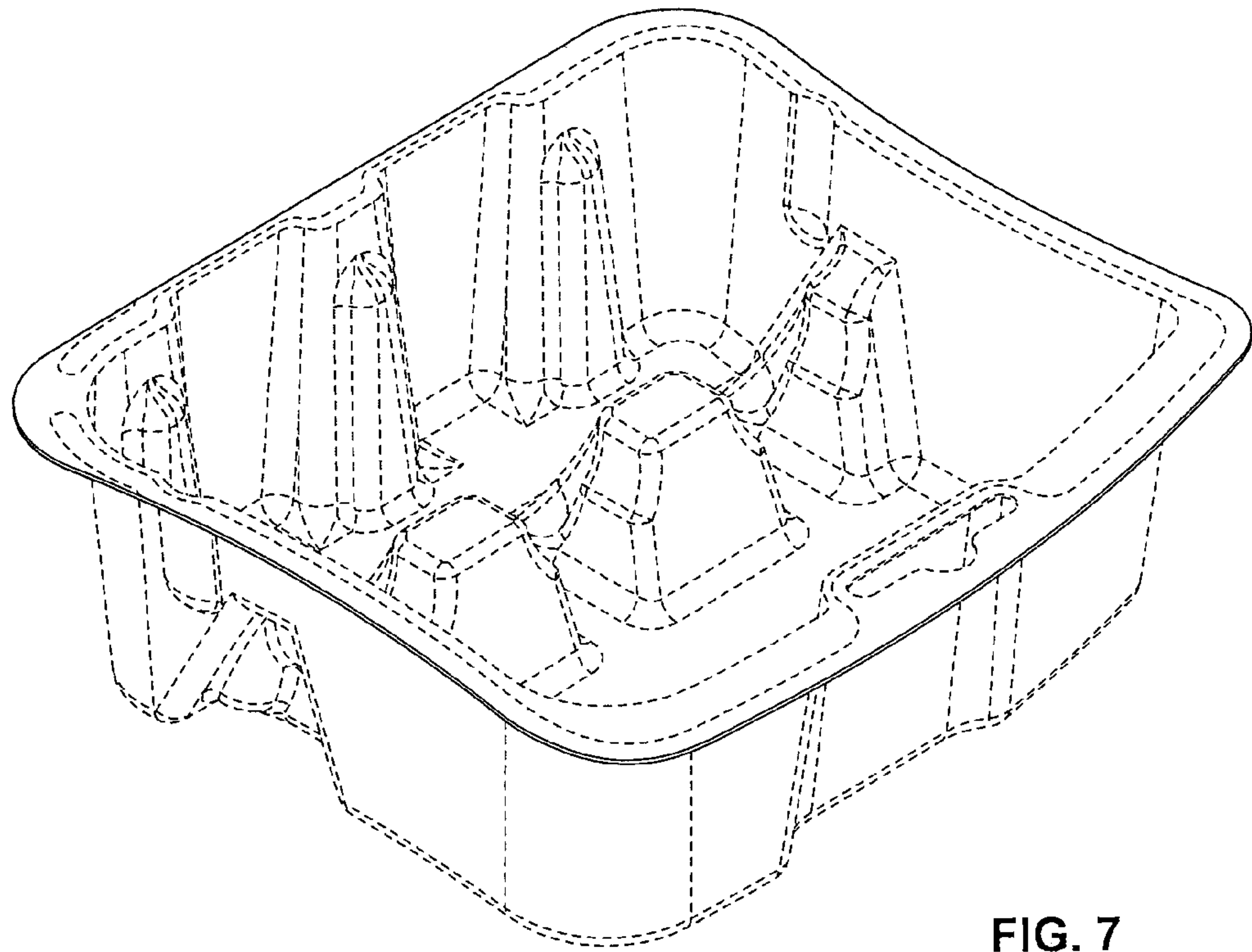


FIG. 7

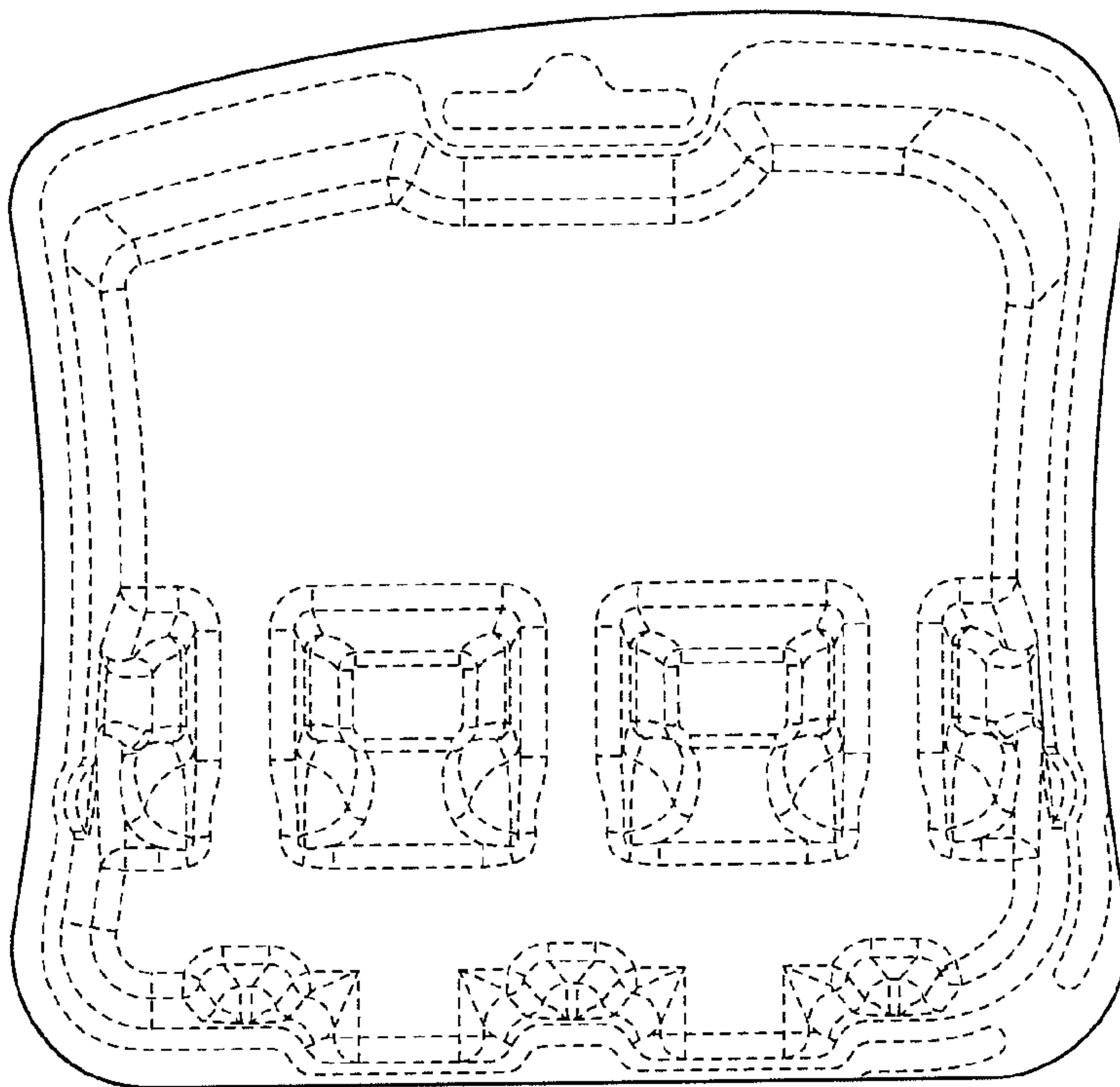


FIG. 8