

US00D696930S

(12) **United States Design Patent**
Rodenhouse et al.

(10) **Patent No.:** **US D696,930 S**
(45) **Date of Patent:** **** Jan. 7, 2014**

- (54) **WASHER**
- (71) Applicant: **Rodenhouse, Inc.**, Grand Rapids, MI (US)
- (72) Inventors: **Robert H. Rodenhouse**, Grand Rapids, MI (US); **Jason R. Wigboldy**, Grand Rapids, MI (US)
- (73) Assignee: **Rodenhouse, Inc.**, Grand Rapids, MI (US)

6,231,063 B1 * 5/2001 Chi 280/279
 D482,270 S 11/2003 Derilo
 D549,091 S 8/2007 McIntyre et al.
 D576,480 S * 9/2008 Vakiener et al. D8/397
 D596,934 S 7/2009 Vakiener et al.
 D634,248 S * 3/2011 Chen D12/177
 7,896,380 B2 * 3/2011 Tange 280/279
 D644,921 S * 9/2011 Hsu et al. D8/399
 D645,337 S * 9/2011 Hsu et al. D8/399
 D660,691 S 5/2012 Yamazaki
 D663,243 S * 7/2012 Li D12/118

(Continued)

(**) Term: **14 Years**

(21) Appl. No.: **29/449,568**

(22) Filed: **Mar. 15, 2013**

(51) **LOC (10) Cl.** **08-08**

(52) **U.S. Cl.**
USPC **D8/399**

(58) **Field of Classification Search**
USPC D8/397, 394, 382, 349, 399; 411/427, 411/429, 432, 918, 179, 180
See application file for complete search history.

(56) **References Cited**

U.S. PATENT DOCUMENTS

D32,793 S	6/1900	Fauber	
3,069,919 A *	12/1962	Schultz, Jr.	474/169
4,102,239 A	7/1978	Dallas	
4,292,876 A *	10/1981	De Graan	411/542
4,793,757 A	12/1988	Peterson	
5,079,055 A	1/1992	Doyle	
5,419,666 A	5/1995	Best	
5,423,858 A	6/1995	Bolanos et al.	
5,517,883 A	5/1996	Goldi et al.	
5,541,377 A	7/1996	Stuhlmacher	
5,833,422 A	11/1998	Haga et al.	
D410,869 S *	6/1999	Singer	D12/114
6,039,525 A	3/2000	Johnson	

OTHER PUBLICATIONS

Brochure disclosing 2" diameter Plasti-Grip® PBLP2 washer distributed by Rodenhouse Inc. more than one year prior to Sep. 6, 2012.

(Continued)

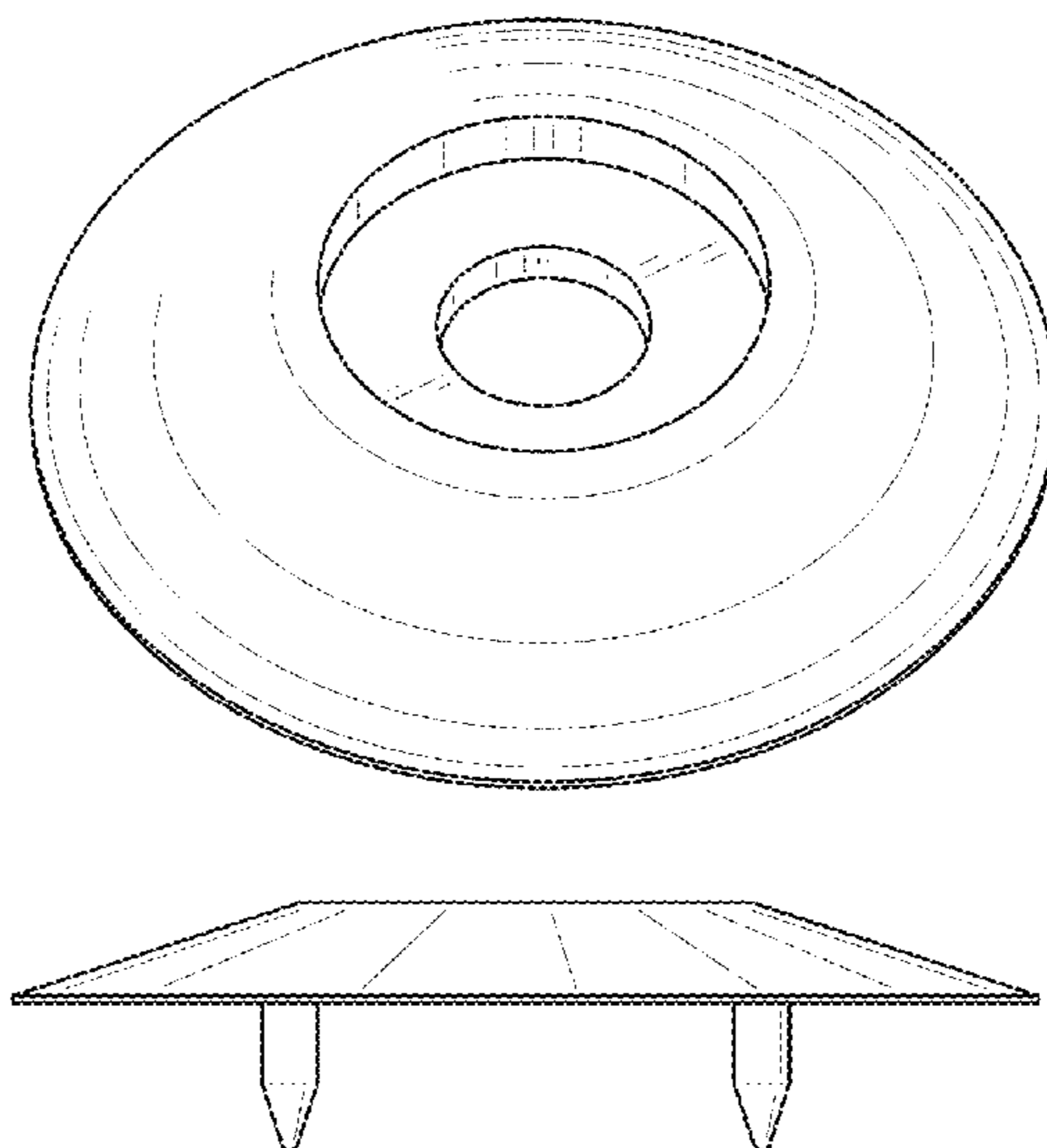
Primary Examiner — Cynthia Underwood
(74) *Attorney, Agent, or Firm* — Gardner, Linn, Burkhardt & Flory, LLP

(57) **CLAIM**
The ornamental design for the washer, as shown and described.

DESCRIPTION

FIG. 1 is a top side perspective view of the washer showing my design in an environment of use;
FIG. 2 is a top perspective view of the washer of FIG. 1;
FIG. 3 is a top plan view of the washer of FIG. 1;
FIG. 4 is a bottom plan view of the washer of FIG. 1;
FIG. 5 is a side elevation view of the washer of FIG. 1; and,
FIG. 6 is a bottom side perspective view of the washer of FIG. 1.
The broken lines are for illustrative purposes only and form no part of the claimed design.

1 Claim, 6 Drawing Sheets



(56)

References Cited

U.S. PATENT DOCUMENTS

D679,169	S	*	4/2013	Else	D8/349
D679,170	S	*	4/2013	Else	D8/349
D679,572	S	*	4/2013	Attaway	D8/349
D682,666	S	*	5/2013	Wigboldy	D8/399
2004/0060723	A1	*	4/2004	Pallapothu	174/65 G
2004/0084099	A1	*	5/2004	Miura	138/89
2006/0171794	A1		8/2006	Ordonio, Jr. et al.		
2008/0310932	A1		12/2008	McIntyre et al.		

OTHER PUBLICATIONS

Brochure disclosing 1 3/4" diameter Plasti-Grip® CBW washer distributed by Rodenhouse Inc. more than one year prior to Sep. 6, 2012.

Brochure disclosing 1 1/4" diameter Grip-Plate® Tab washer distributed by Rodenhouse Inc. more than one year prior to Sep. 6, 2012.
 Brochure disclosing 1 1/4" diameter Grip-Plate® Plastic washer distributed by Rodenhouse Inc. more than one year prior to Sep. 6, 2012.
 Brochure disclosing 2" diameter Plasti-Grip® CBW2 washer distributed by Rodenhouse Inc. more than one year prior to Sep. 6, 2012.
 Brochure disclosing 1 3/4" diameter Plasti-Grip® III washer distributed by Rodenhouse Inc. more than one year prior to Sep. 6, 2012.
 Brochure disclosing Plasti-Grip® PMF Plastic Masonry Fastener distributed by Rodenhouse Inc. more than one year prior to Sep. 6, 2012.
 Brochure disclosing 3" diameter Grip-Lok® "Hurricane" washer distributed by Rodenhouse Inc. more than one year prior to Sep. 6, 2012.

* cited by examiner

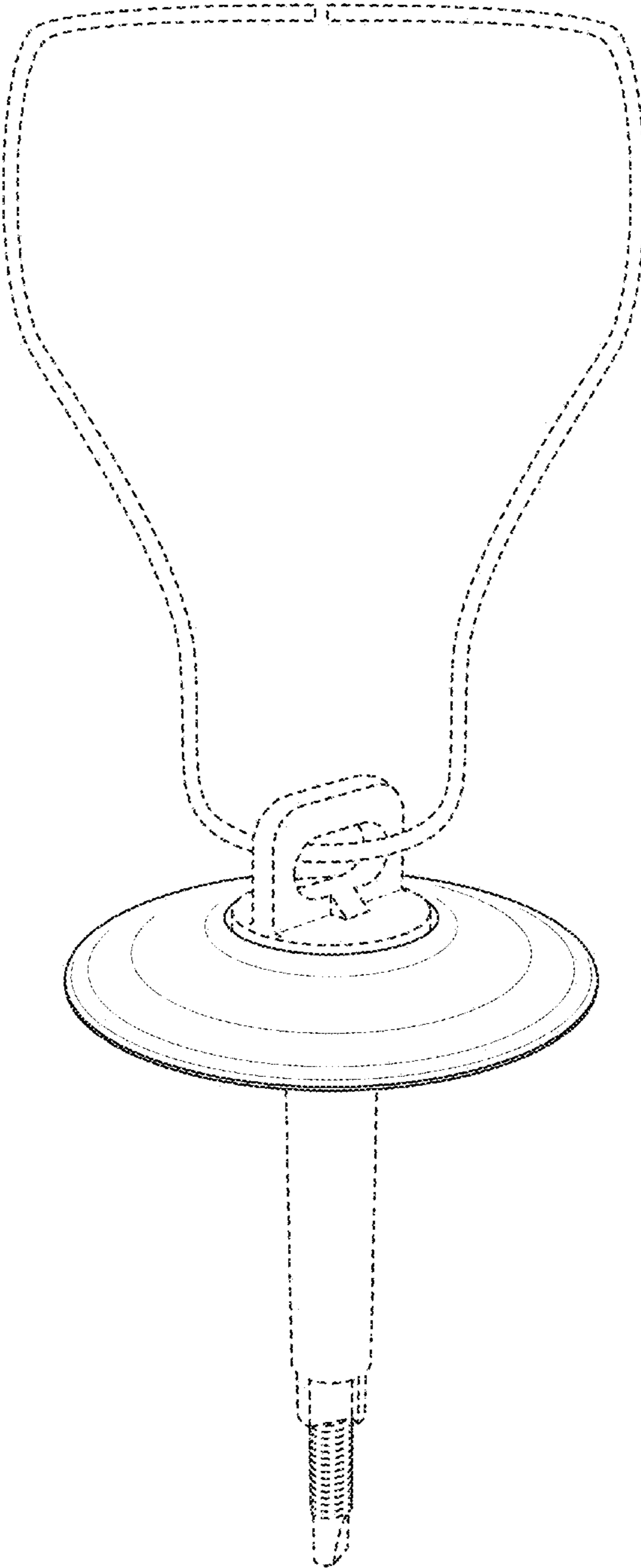


FIG. 1

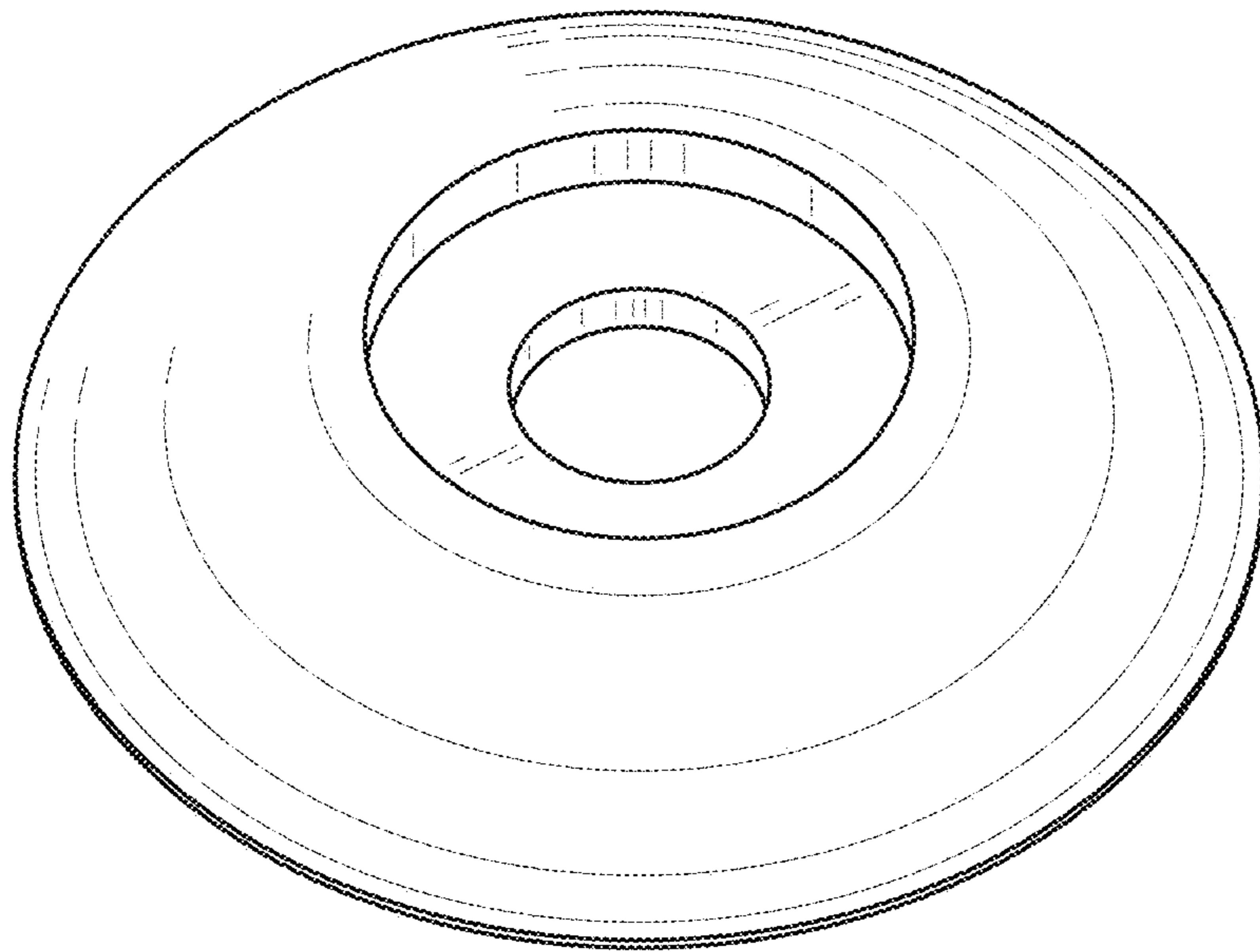


FIG. 2

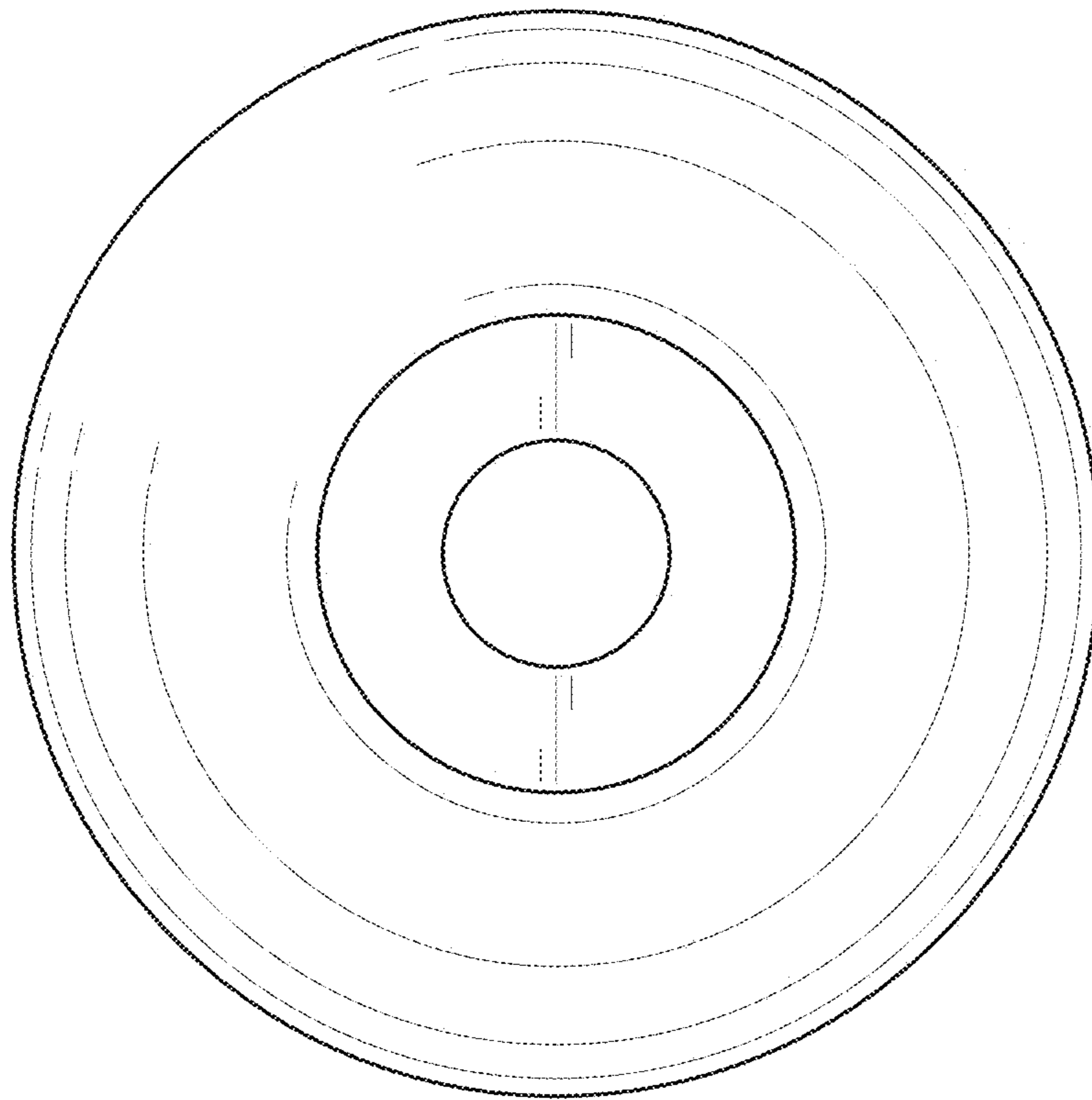


FIG. 3

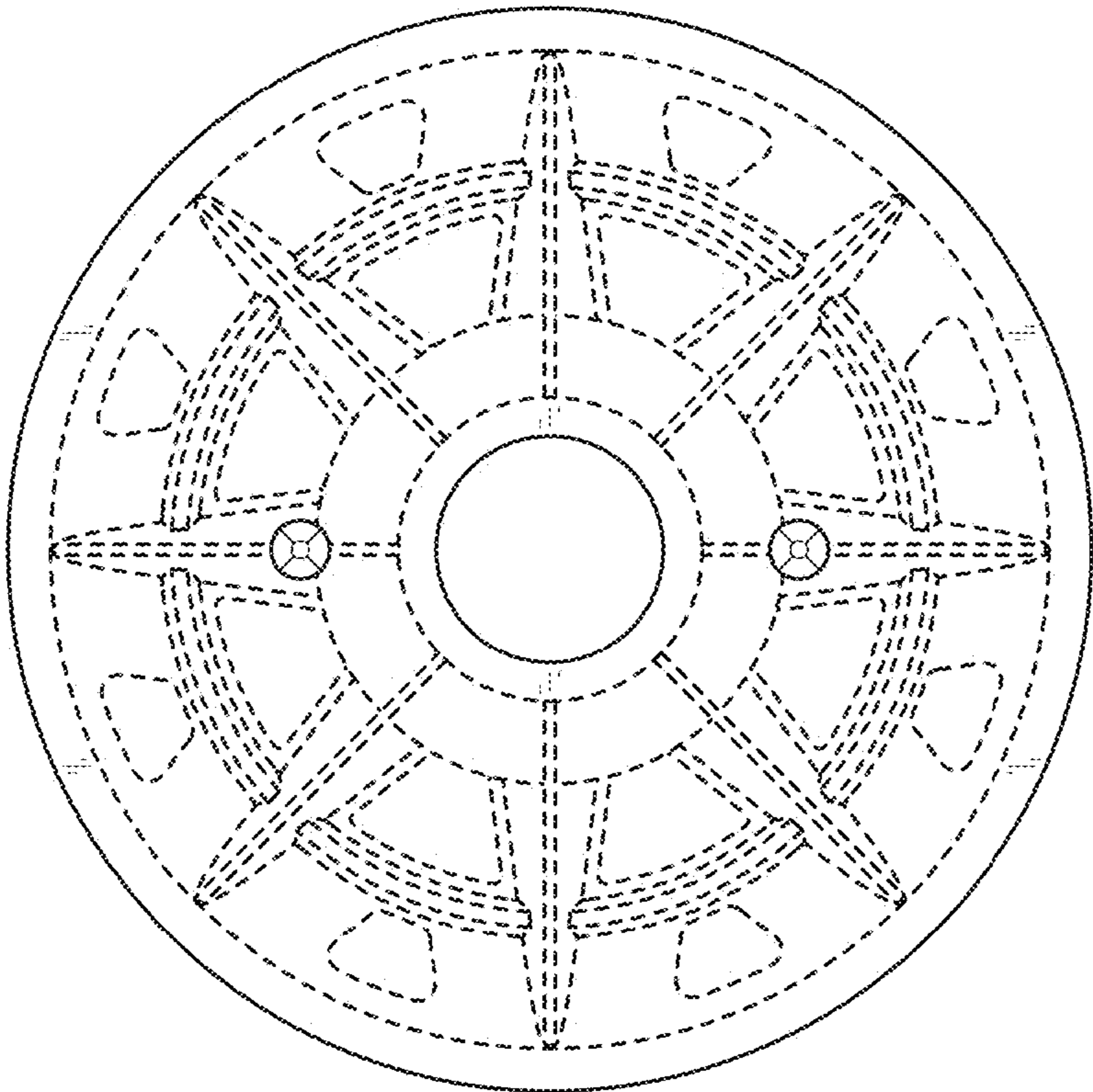


FIG. 4

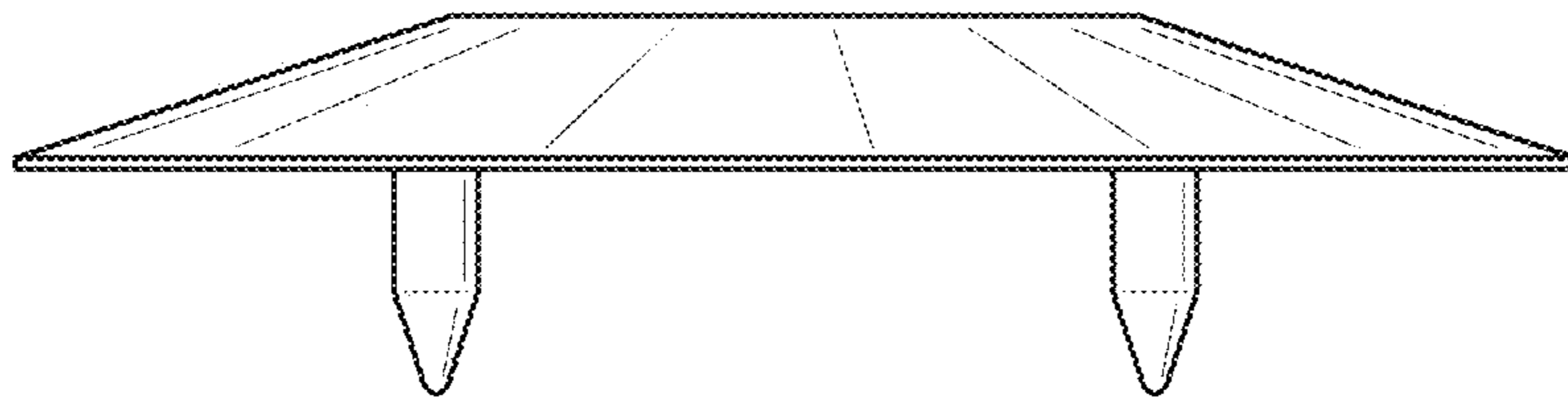


FIG. 5

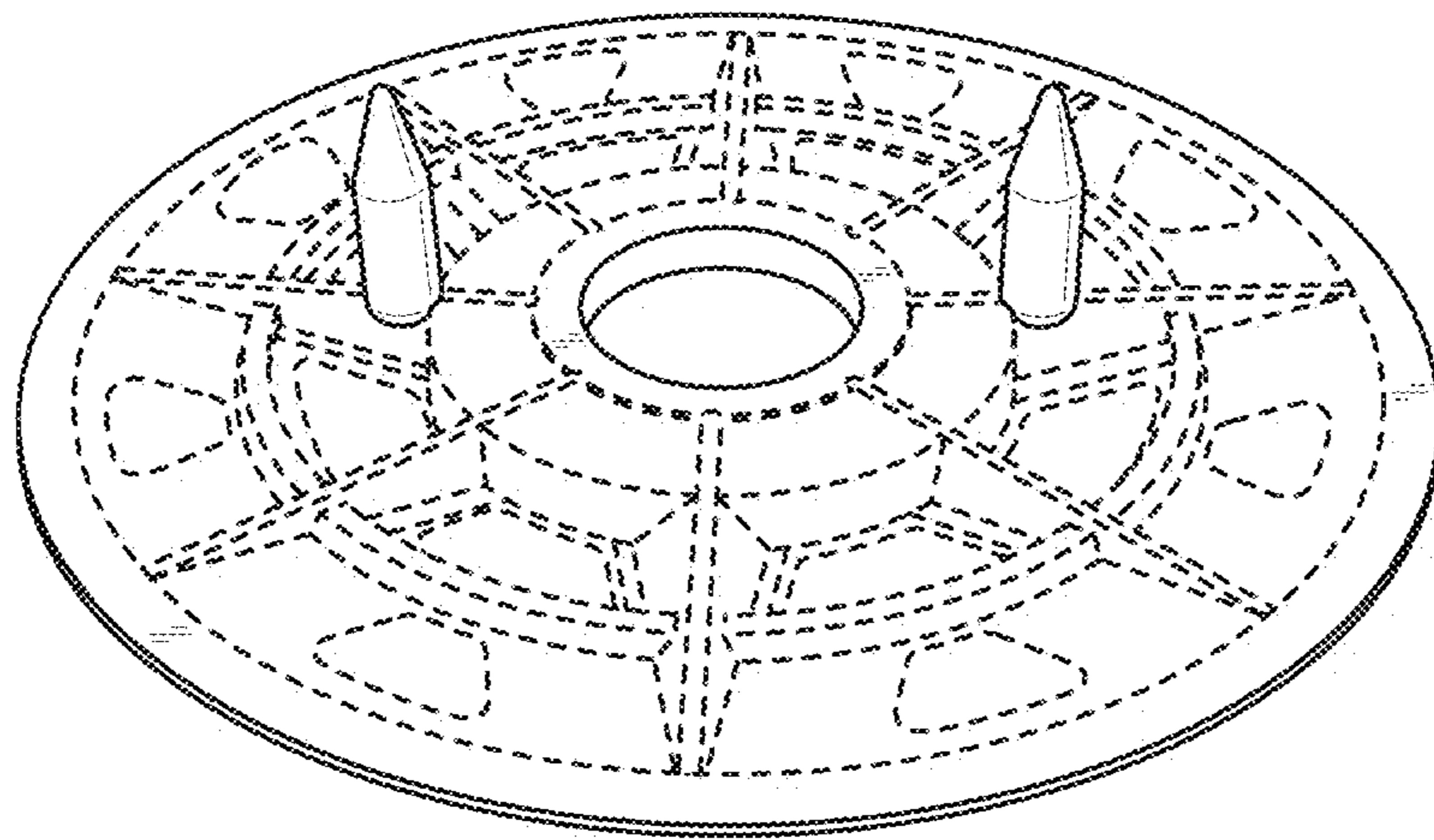


FIG. 6