

US00D696929S

(12) **United States Design Patent**  
**Bacon**

(10) **Patent No.:** **US D696,929 S**

(45) **Date of Patent:** **\*\* Jan. 7, 2014**

(54) **WIRE GRIPPING DEVICE FOR FASTENING,  
SUPPORTING AND/OR MOUNTING**

D630,495 S \* 1/2011 Allina et al. .... D8/356  
D676,734 S \* 2/2013 Moreau et al. .... D8/356  
2005/0079026 A1\* 4/2005 Speece et al. .... 410/106

(75) Inventor: **Matthew Stephen Bacon**, Essex (GB)

FOREIGN PATENT DOCUMENTS

(73) Assignee: **Gripple Limited** (GB)

WO 2009/042626 A1 4/2009

(\*\*) Term: **14 Years**

\* cited by examiner

(21) Appl. No.: **29/422,510**

*Primary Examiner* — Cynthia Underwood

(22) Filed: **May 22, 2012**

(74) *Attorney, Agent, or Firm* — Clark Hill PLC

(51) **LOC (10) Cl.** ..... **08-05**

(52) **U.S. Cl.**  
USPC ..... **D8/356**

(58) **Field of Classification Search**  
USPC ..... D8/356, 367, 354, 349  
See application file for complete search history.

(57) **CLAIM**  
The ornamental design for a wire gripping device for fasten-  
ing, supporting and/or mounting, as shown and described.

**DESCRIPTION**

(56) **References Cited**

U.S. PATENT DOCUMENTS

5,301,627	A *	4/1994	Czipri	114/218
D364,522	S *	11/1995	Haug	D6/552
D443,566	S *	6/2001	Peterson	D12/162
D512,903	S *	12/2005	Gallien	D8/349
D560,088	S *	1/2008	Tracy	D6/552
D566,527	S *	4/2008	Cavarsan	D8/356
D611,327	S *	3/2010	Chawgo	D8/356
D624,299	S *	9/2010	Lindow	D2/978
7,793,390	B2 *	9/2010	Mills et al.	24/129 R

FIG. 1 is a perspective view of the wire gripping device for fastening, supporting and/or mounting;  
FIG. 2 is a front view thereof;  
FIG. 3 is a back view thereof;  
FIG. 4 is a left side view thereof;  
FIG. 5 is a right side view thereof;  
FIG. 6 is a top view thereof; and,  
FIG. 7 is a bottom view thereof.  
The broken lines in the drawings depict unclaimed subject matter.

**1 Claim, 4 Drawing Sheets**

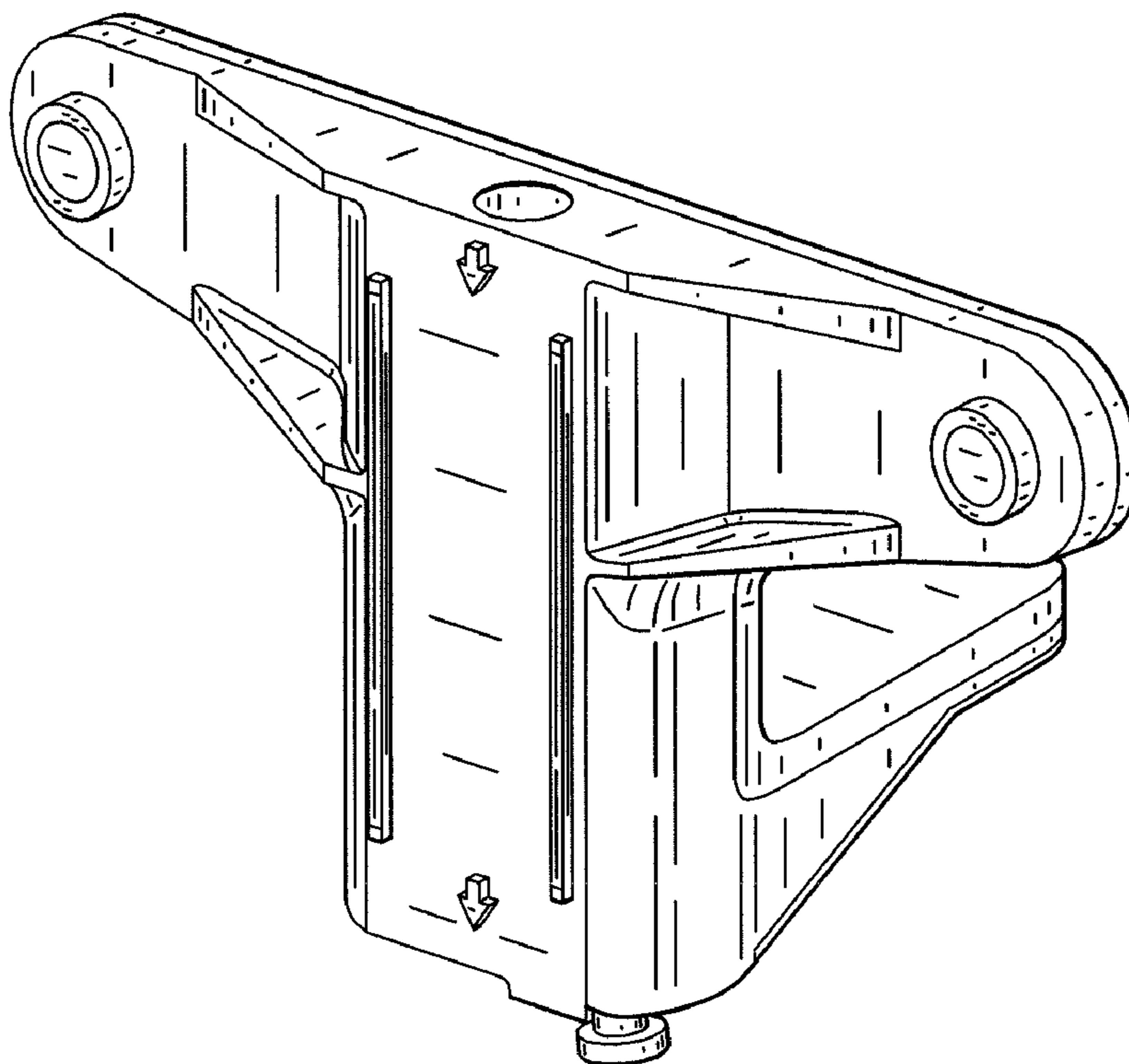


FIG. 1

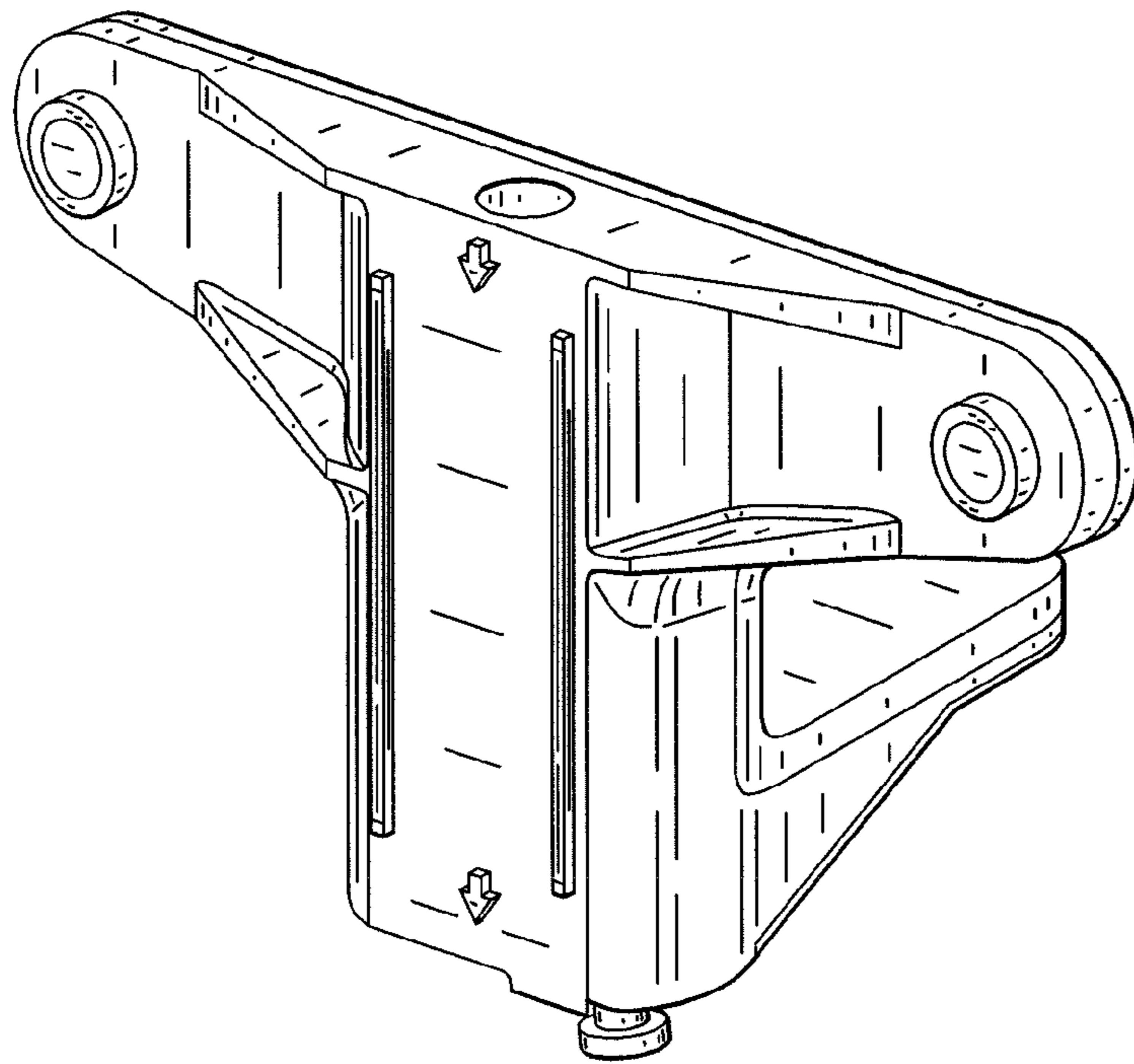


FIG. 2

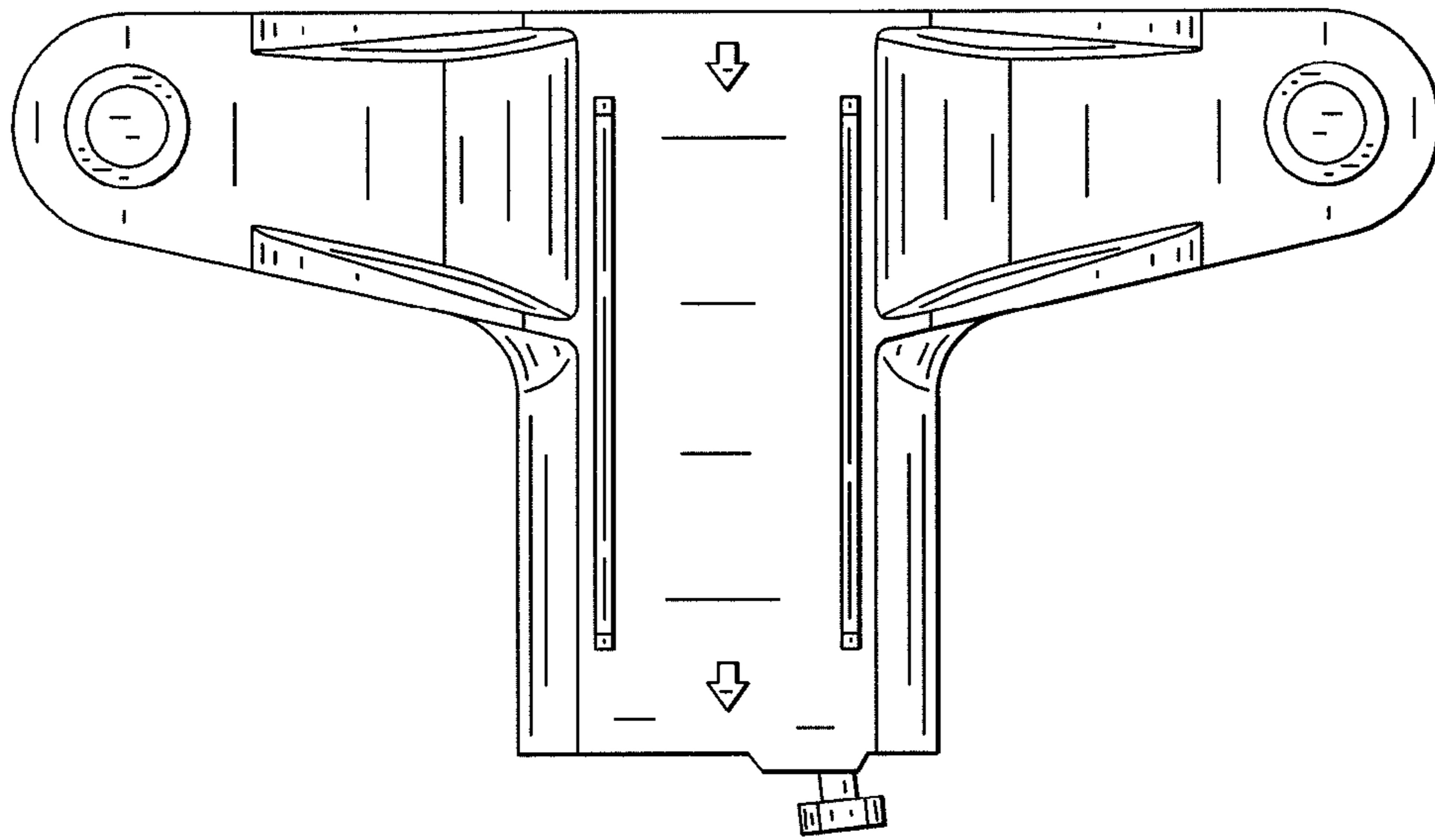


FIG. 3

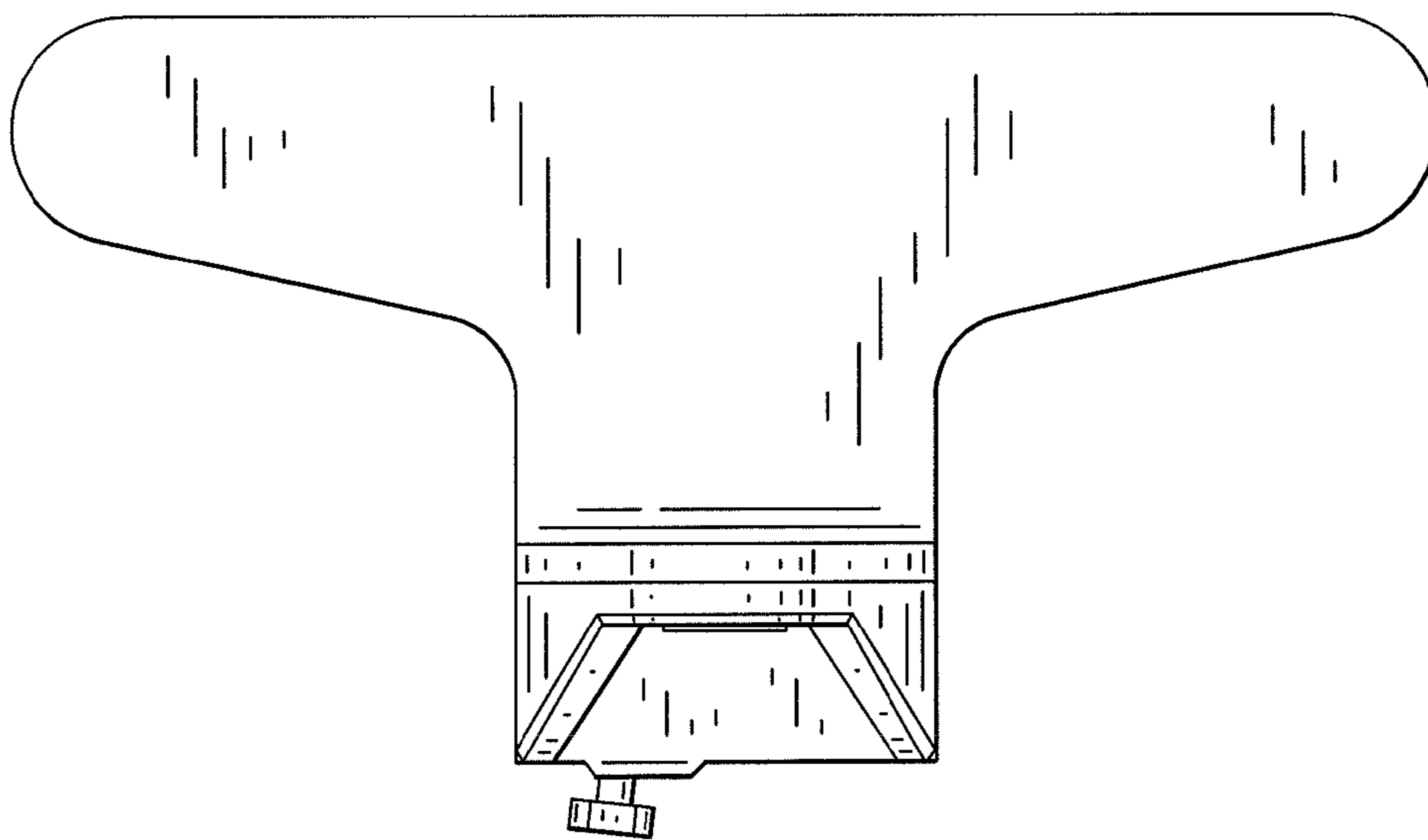


FIG. 4

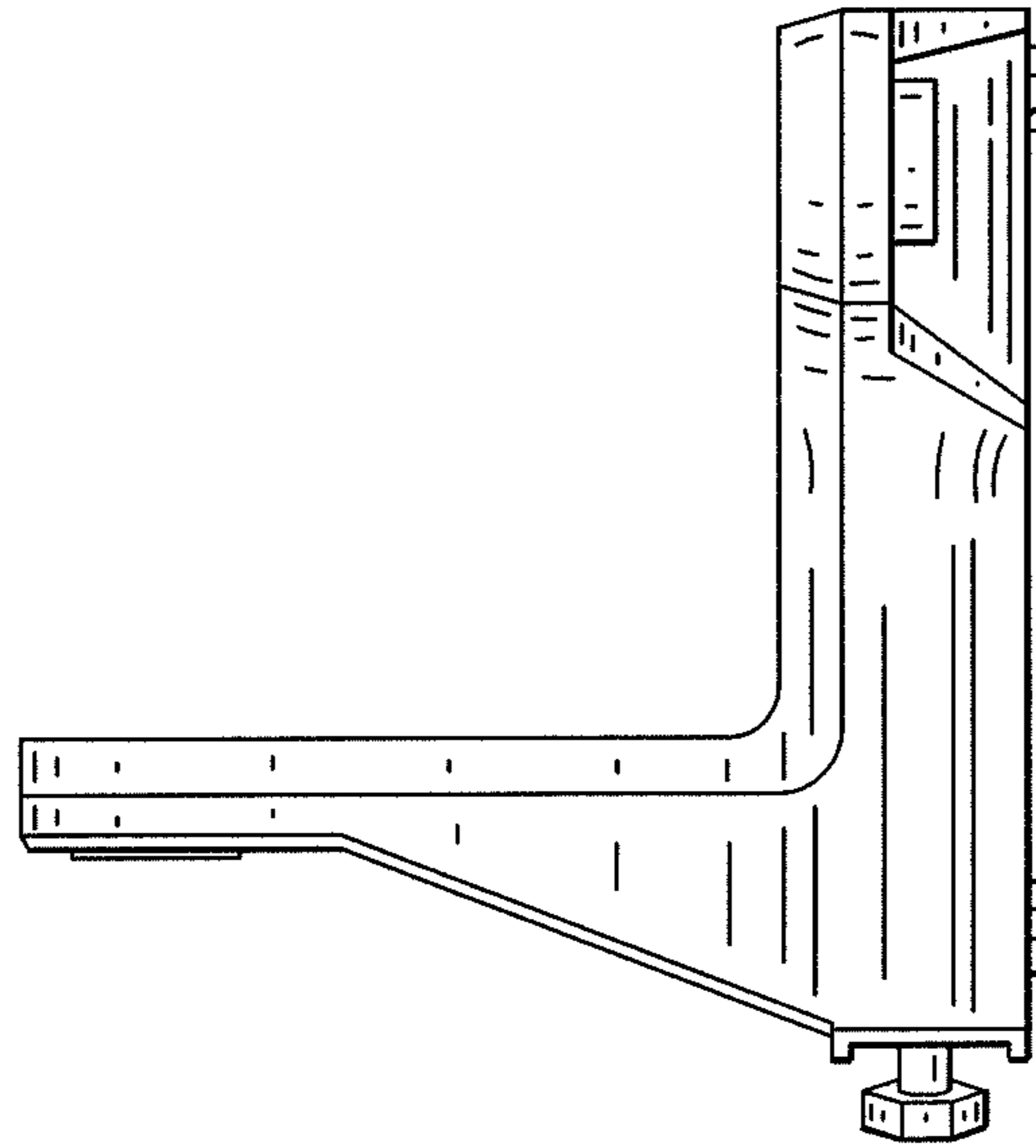


FIG. 5

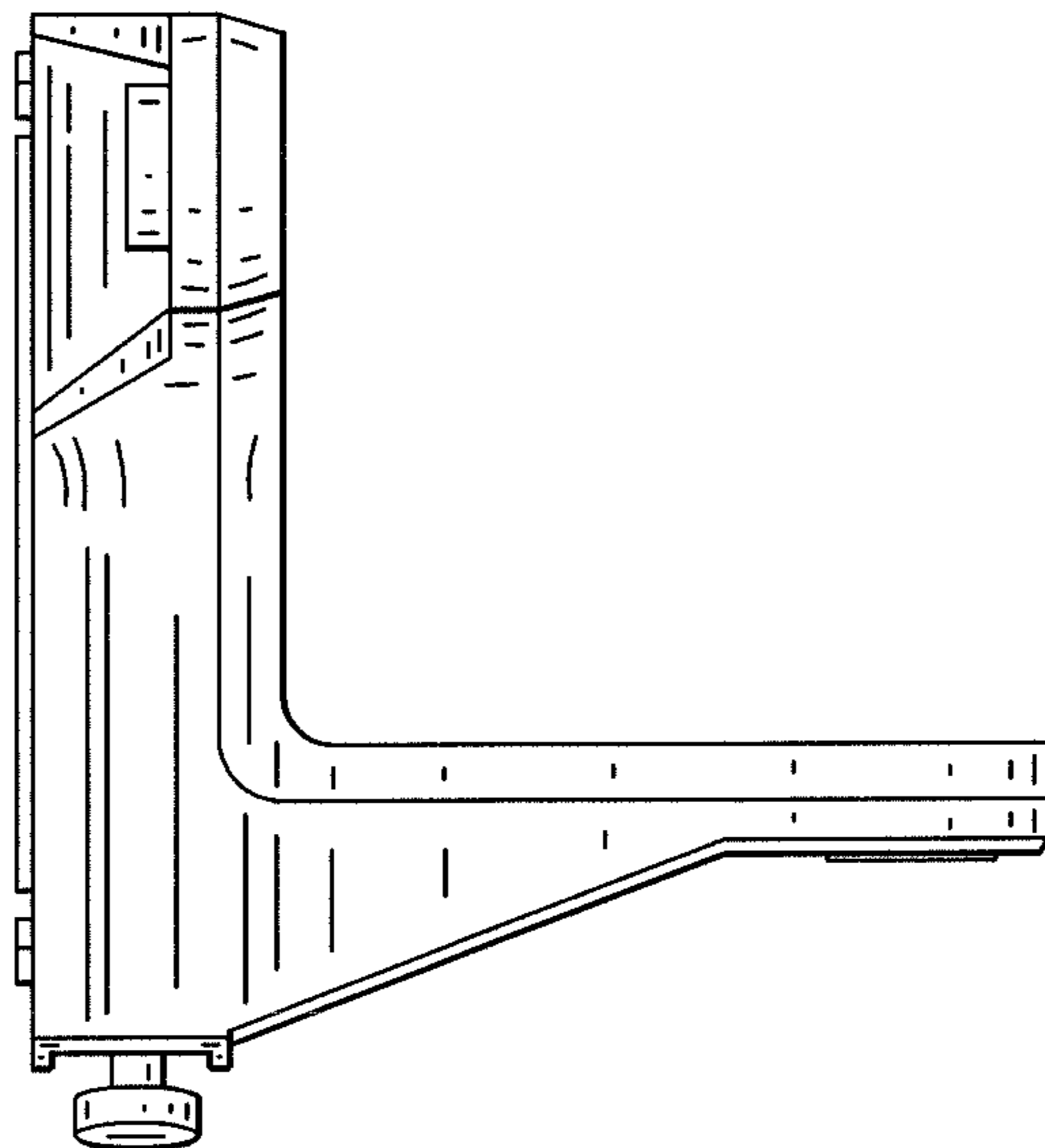


FIG. 6

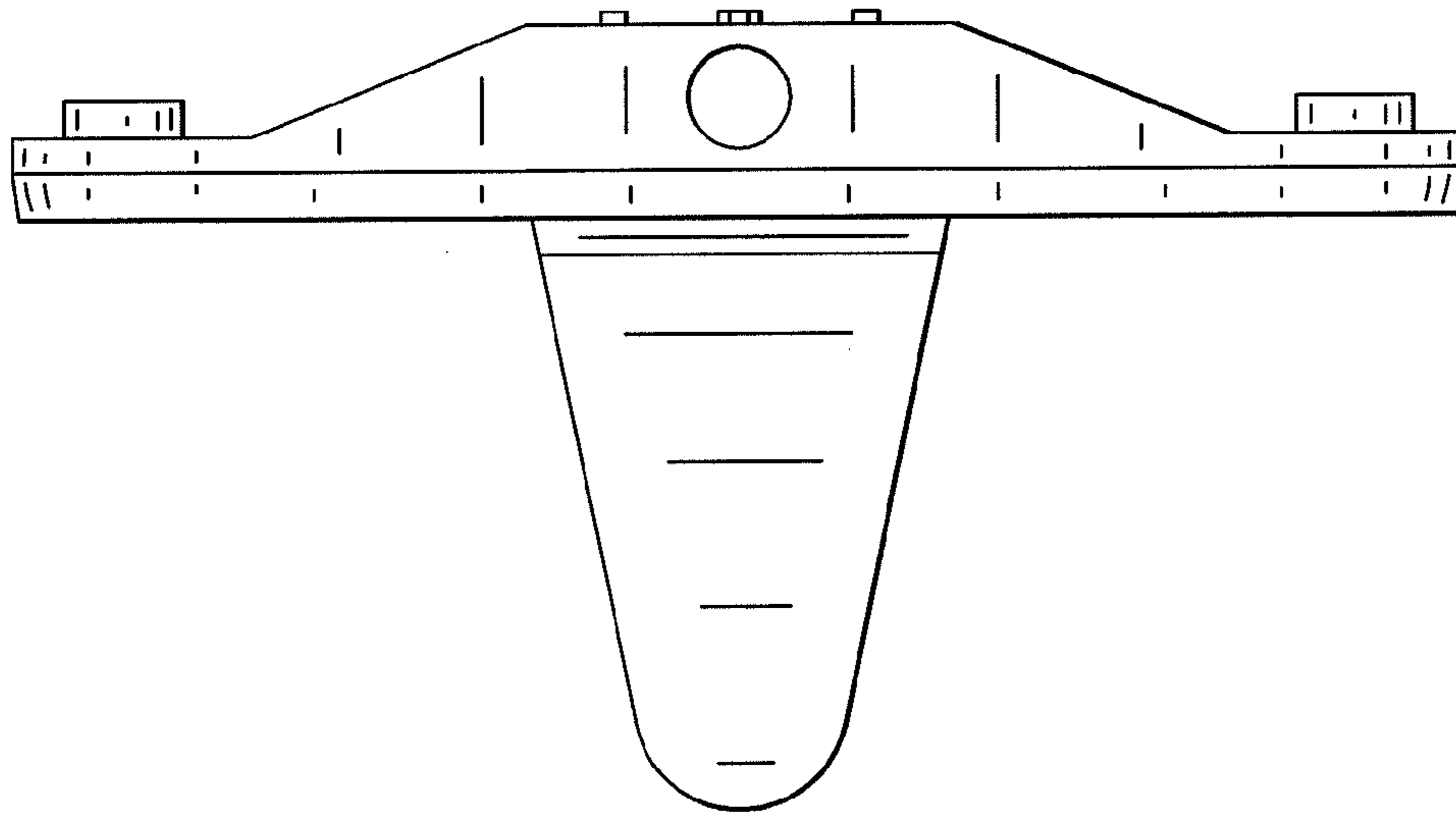


FIG. 7

