

US00D696928S

(12) **United States Design Patent**
Baxter, Jr.

(10) **Patent No.:** **US D696,928 S**
(45) **Date of Patent:** **** Jan. 7, 2014**

- (54) **SEAT BELT LATCH COVER**
- (71) Applicant: **Jerry M. Baxter, Jr.**, Starke, FL (US)
- (72) Inventor: **Jerry M. Baxter, Jr.**, Starke, FL (US)
- (**) Term: **14 Years**
- (21) Appl. No.: **29/421,952**
- (22) Filed: **Oct. 31, 2012**
- (51) **LOC (10) Cl.** **08-07**
- (52) **U.S. Cl.**
USPC **D8/346**
- (58) **Field of Classification Search**
USPC D8/330, 331, 346, 343, 344, 349;
70/14, 57, 57.1, 58, 52, 141, 158, 163,
70/DIG. 56, DIG. 43
See application file for complete search history.

D527,614	S	*	9/2006	St. James	D8/346
D579,314	S	*	10/2008	Tozer et al.	D8/331
D582,255	S	*	12/2008	Turpault et al.	D8/346
D652,708	S	*	1/2012	Figureida	D8/346
8,354,182	B2	*	1/2013	Yang	429/97
8,405,979	B2	*	3/2013	Chen et al.	361/679.58

* cited by examiner

Primary Examiner — Prabhakar Deshmukh
(74) *Attorney, Agent, or Firm* — Saliwanchik, Lloyd & Eisenschenk

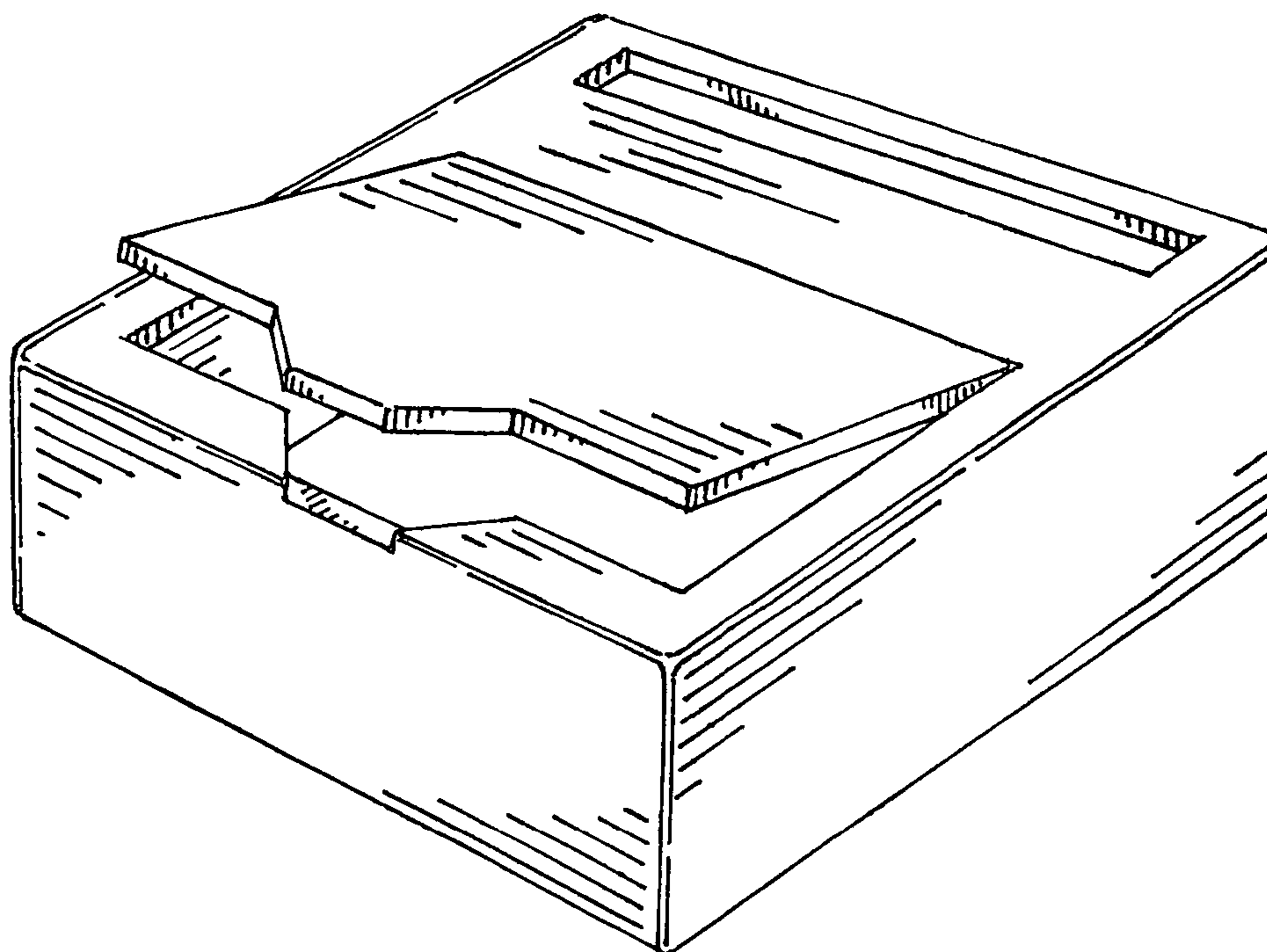
(57) **CLAIM**
The ornamental design for a seat belt latch cover, as shown and described.

DESCRIPTION

FIG. 1 is a perspective view of a seat belt latch cover showing my new design;
FIG. 2 is a front elevational view thereof;
FIG. 3 is a rear elevational view thereof;
FIG. 4 is a left side elevational view thereof, the right side elevational view being a mirror image thereof;
FIG. 5 is a bottom plan view thereof; and,
FIG. 6 is a top plan view thereof.

1 Claim, 2 Drawing Sheets

- (56) **References Cited**
U.S. PATENT DOCUMENTS
4,741,574 A * 5/1988 Weightman et al. 297/482
D325,374 S * 4/1992 Ashby D13/154
5,263,344 A * 11/1993 Madison 70/14
D344,443 S * 2/1994 Ashby D8/346
6,412,145 B1 * 7/2002 Rubel 16/412



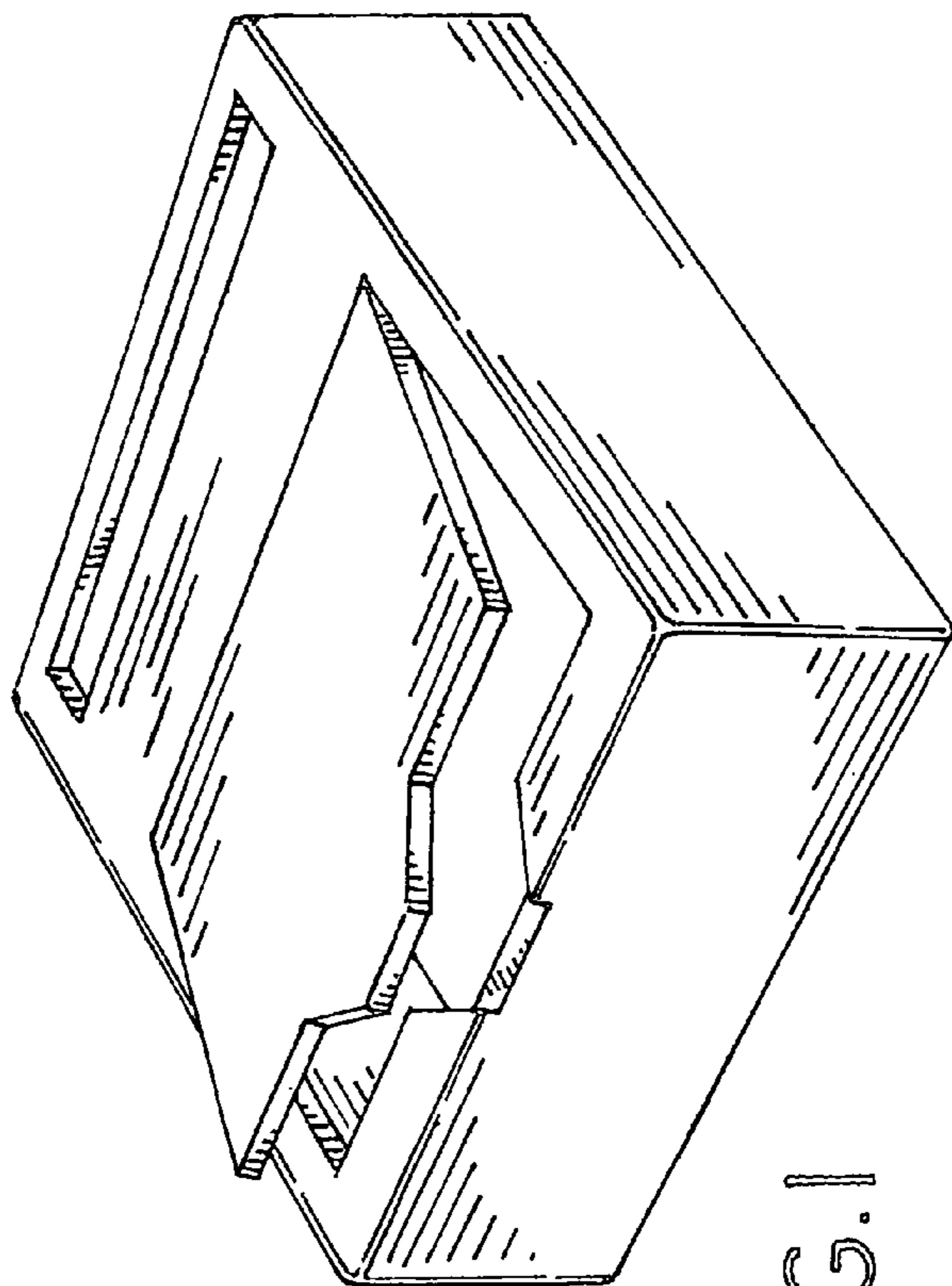


FIG. 1

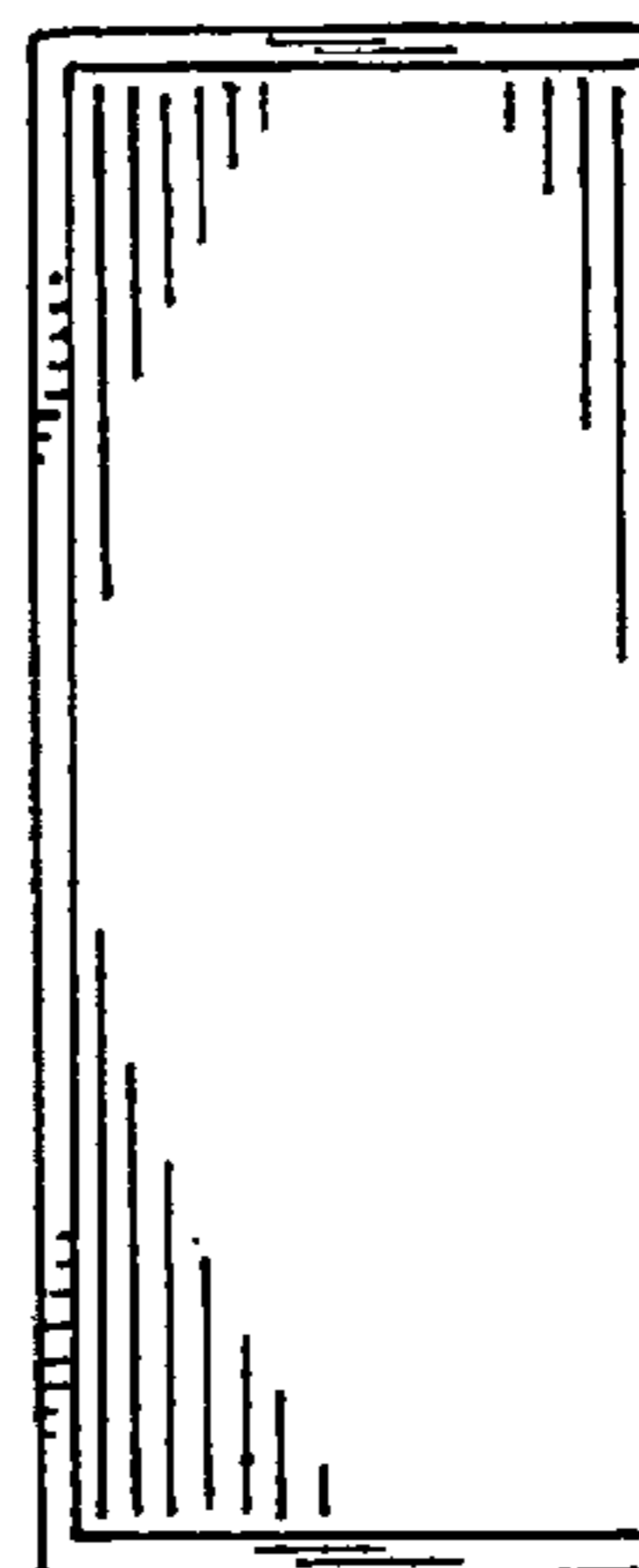


FIG 3



FIG. 2

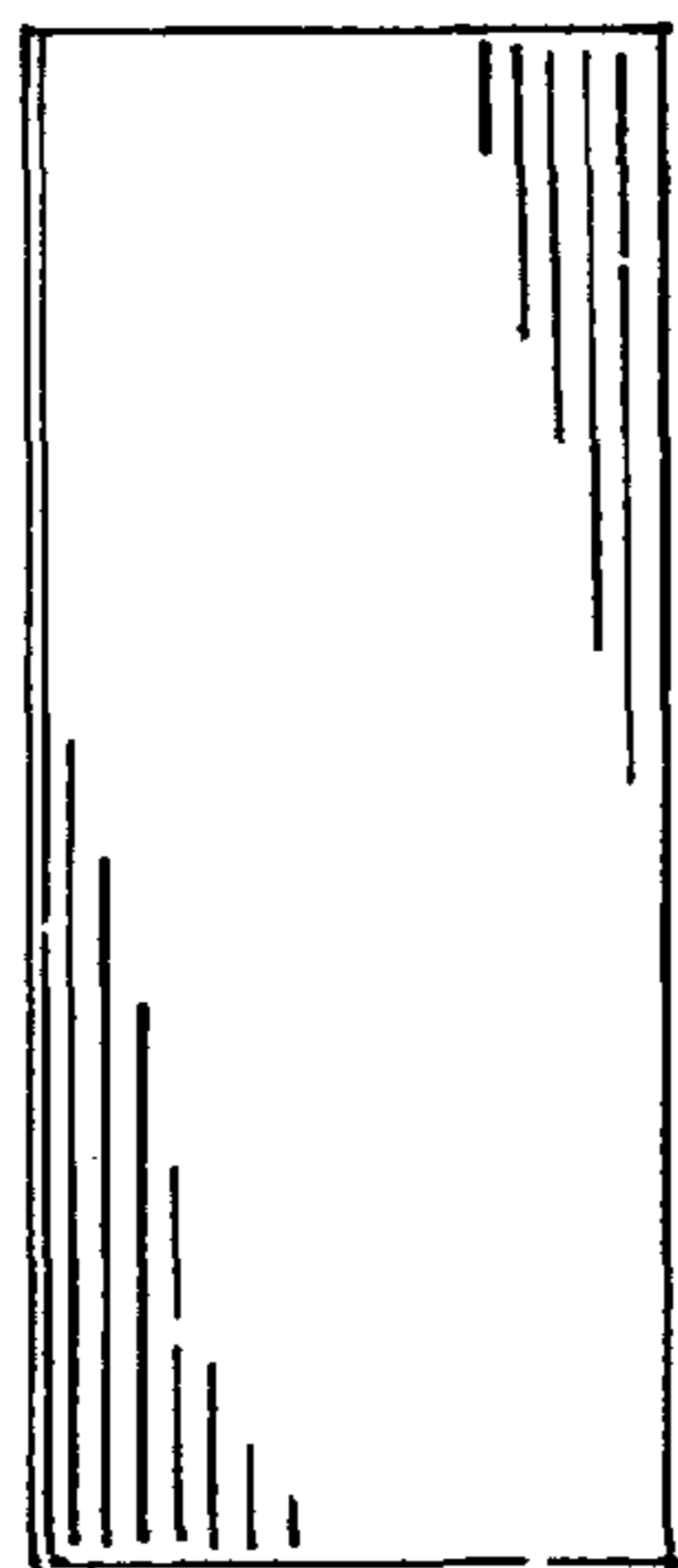


FIG. 4

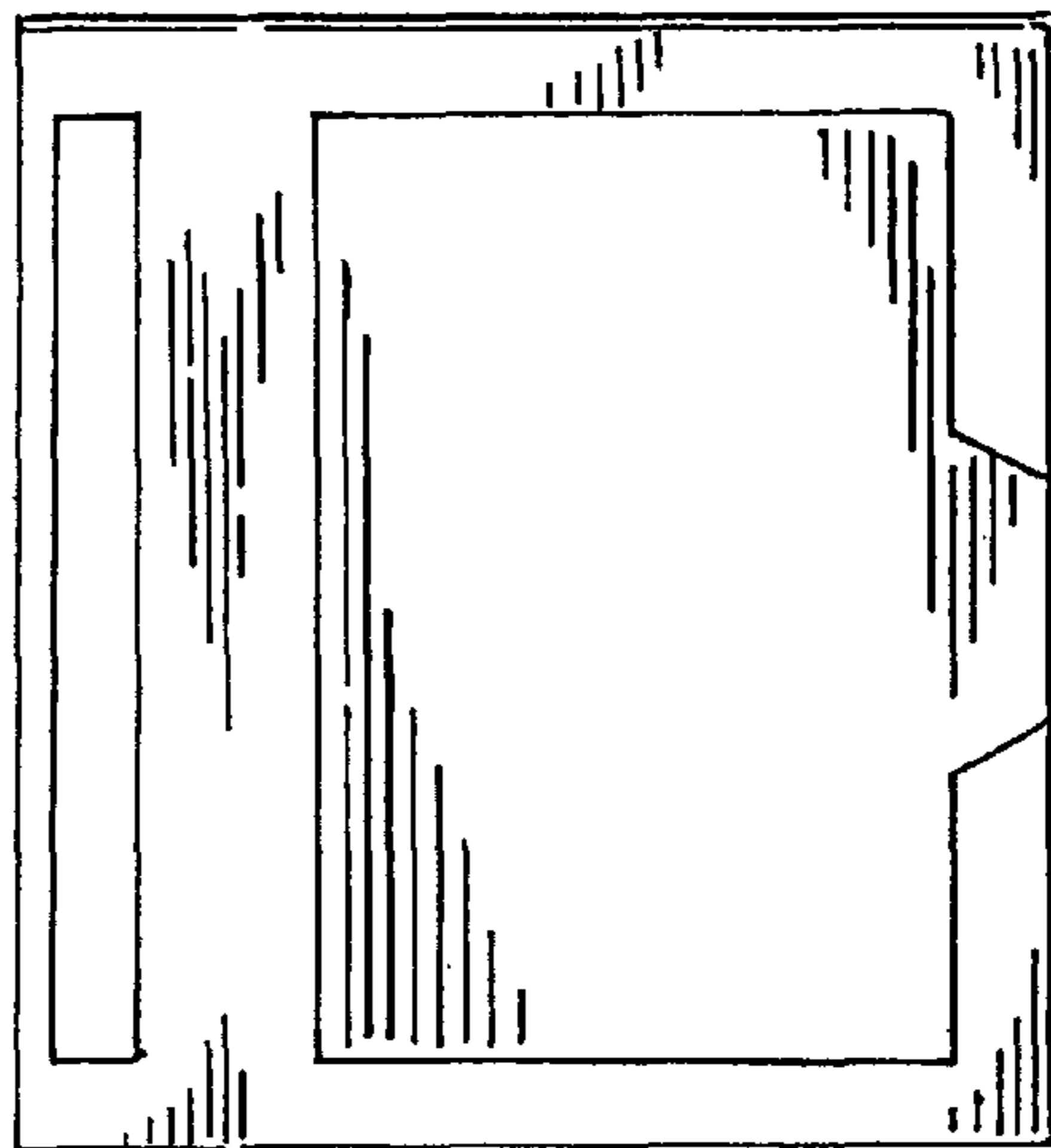


FIG. 6

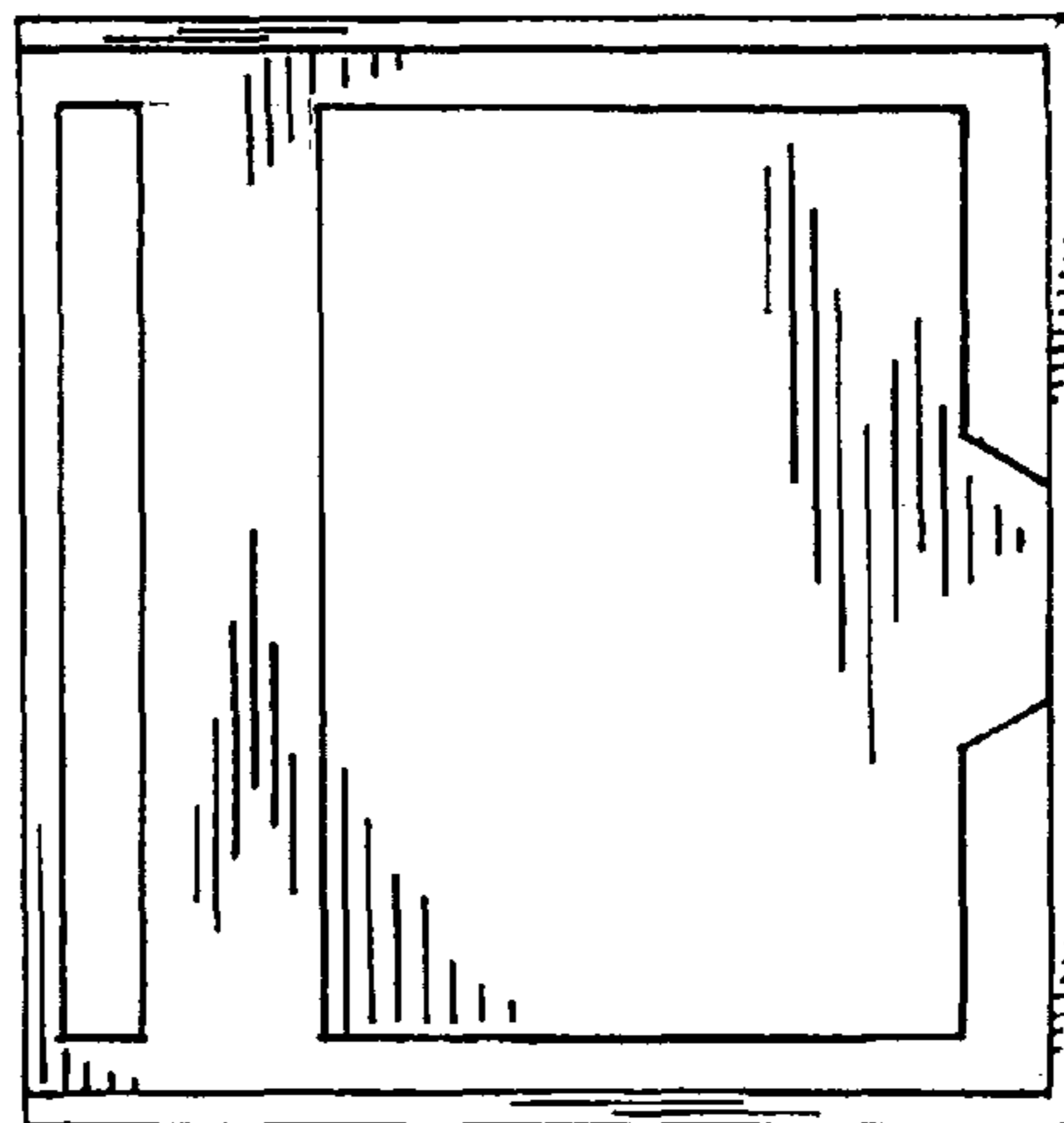


FIG. 5