

US00D696927S

(12) **United States Design Patent**
Wyers

(10) **Patent No.:** **US D696,927 S**
(45) **Date of Patent:** **** *Jan. 7, 2014**

- (54) **CHOCKING WHEEL LOCK**
- (71) Applicant: **Phillip W. Wyers**, Centennial, CO (US)
- (72) Inventor: **Phillip W. Wyers**, Centennial, CO (US)
- (*) Notice: This patent is subject to a terminal disclaimer.
- (**) Term: **14 Years**
- (21) Appl. No.: **29/434,093**
- (22) Filed: **Oct. 9, 2012**

5,247,815	A *	9/1993	Caldwell	70/19
5,385,038	A *	1/1995	Walker	70/14
D374,600	S	10/1996	Buttner	
D390,772	S *	2/1998	Hare	D8/333
5,873,275	A	2/1999	Lukich	
5,927,108	A *	7/1999	Pierce	70/19
D418,391	S	1/2000	Tsai	
6,360,571	B1 *	3/2002	O'Neal	70/226
6,662,607	B2 *	12/2003	O'Neal	70/226
D489,597	S	5/2004	Fulcher et al.	
6,938,734	B2	9/2005	Curl	
D513,975	S	1/2006	Falconer et al.	
D541,626	S *	5/2007	Mechalchuk	D8/330
D567,062	S *	4/2008	Meyer et al.	D8/330
D626,400	S *	11/2010	Chestham	D8/333
D658,968	S *	5/2012	Wyers	D8/333

Related U.S. Application Data

- (63) Continuation of application No. 12/290,439, filed on Oct. 30, 2008, now abandoned.
- (51) **LOC (10) Cl.** **08-07**
- (52) **U.S. Cl.**
USPC **D8/336**
- (58) **Field of Classification Search**
USPC D8/330, 331, 336, 333, 339, 343, 349;
70/14, 19, 57, 57.1, 141, 163,
70/223-228, 237, 209, 259, 260, 466;
D12/217, 400
See application file for complete search history.

* cited by examiner

Primary Examiner — Prabhakar Deshmukh
(74) *Attorney, Agent, or Firm* — Brian D. Smith P.C.

(57) **CLAIM**

The ornamental design for a chocking wheel lock, as shown and described.

DESCRIPTION

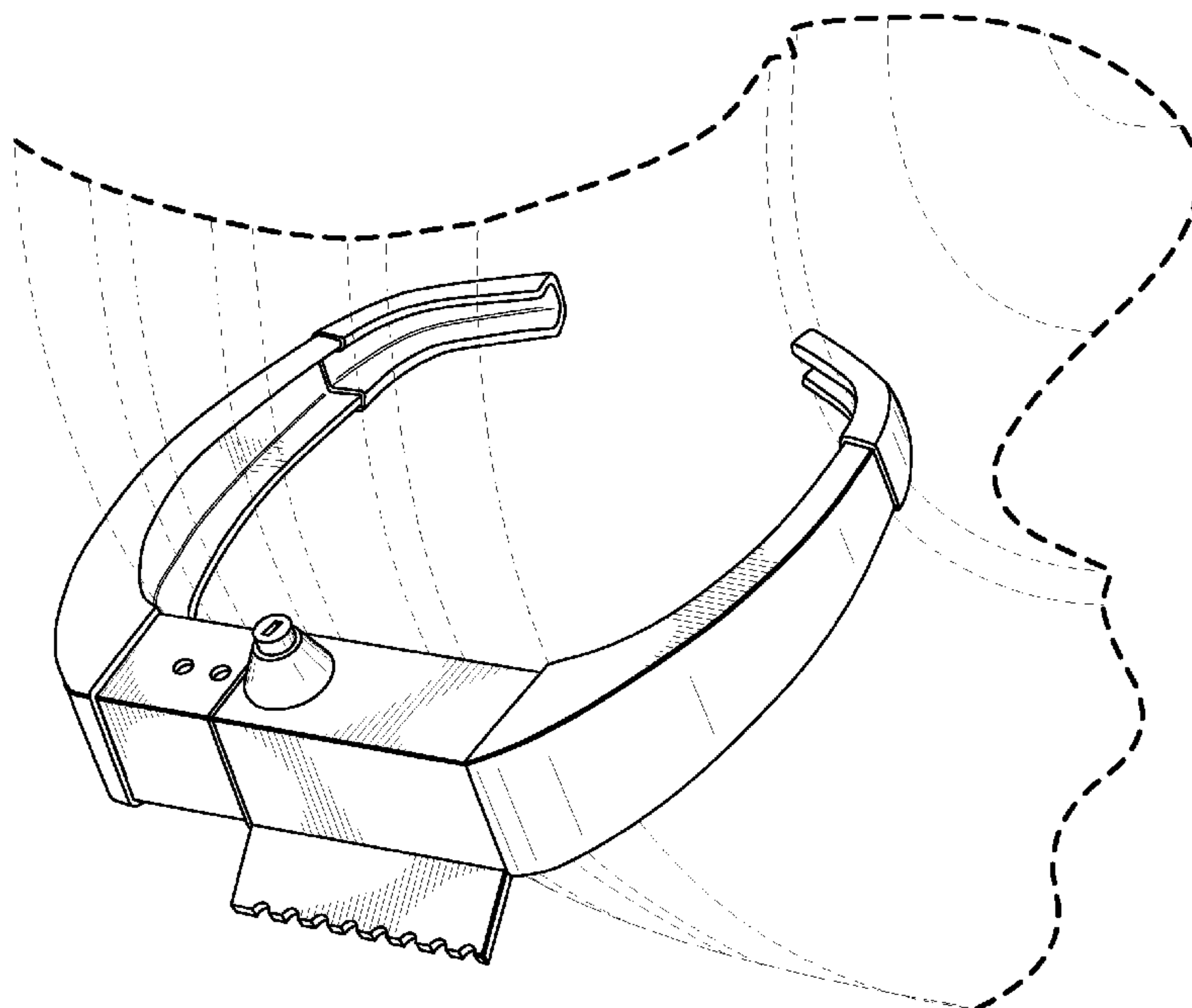
FIG. 1 is a perspective view of a chocking wheel lock showing my new design, shown in the environmental use;
FIG. 2 is a top plan view thereof;
FIG. 3 is a bottom plan view thereof;
FIG. 4 is a right side elevational view thereof;
FIG. 5 is a left side elevational view thereof;
FIG. 6 is a front elevational view thereof; and,
FIG. 7 is a rear elevational view thereof.
The broken lines environment in FIG. 1 is for illustrative purpose only and forms no part of the claimed design.

(56) **References Cited**

U.S. PATENT DOCUMENTS

D221,417	S *	8/1971	Prichard	D8/333
4,164,131	A	8/1979	Desmond et al.	
4,441,586	A	4/1984	Bernier	
4,819,462	A *	4/1989	Apsell	70/14
4,833,442	A	5/1989	Von Heck	
5,134,868	A	8/1992	Bethards	

1 Claim, 3 Drawing Sheets



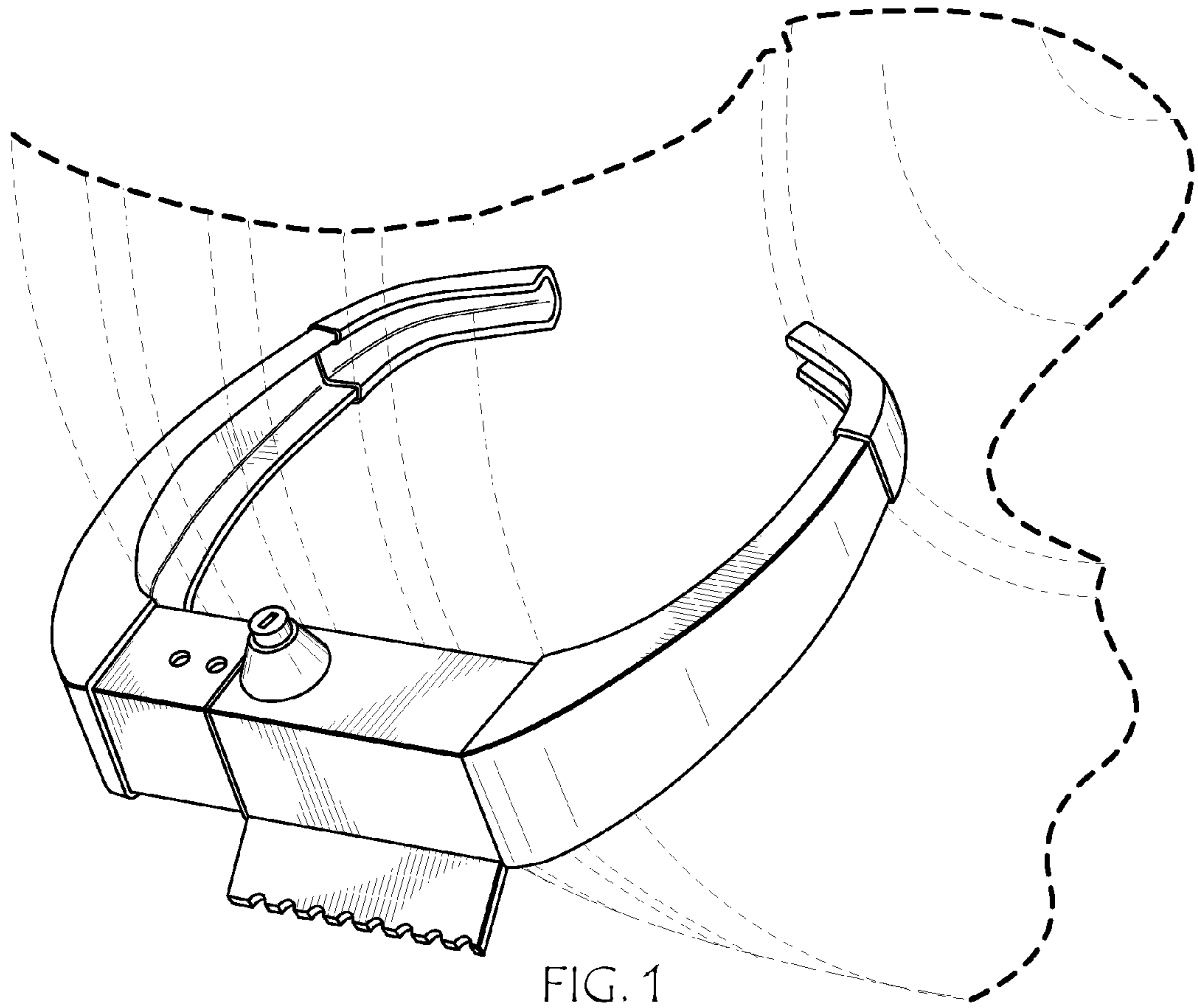


FIG. 1

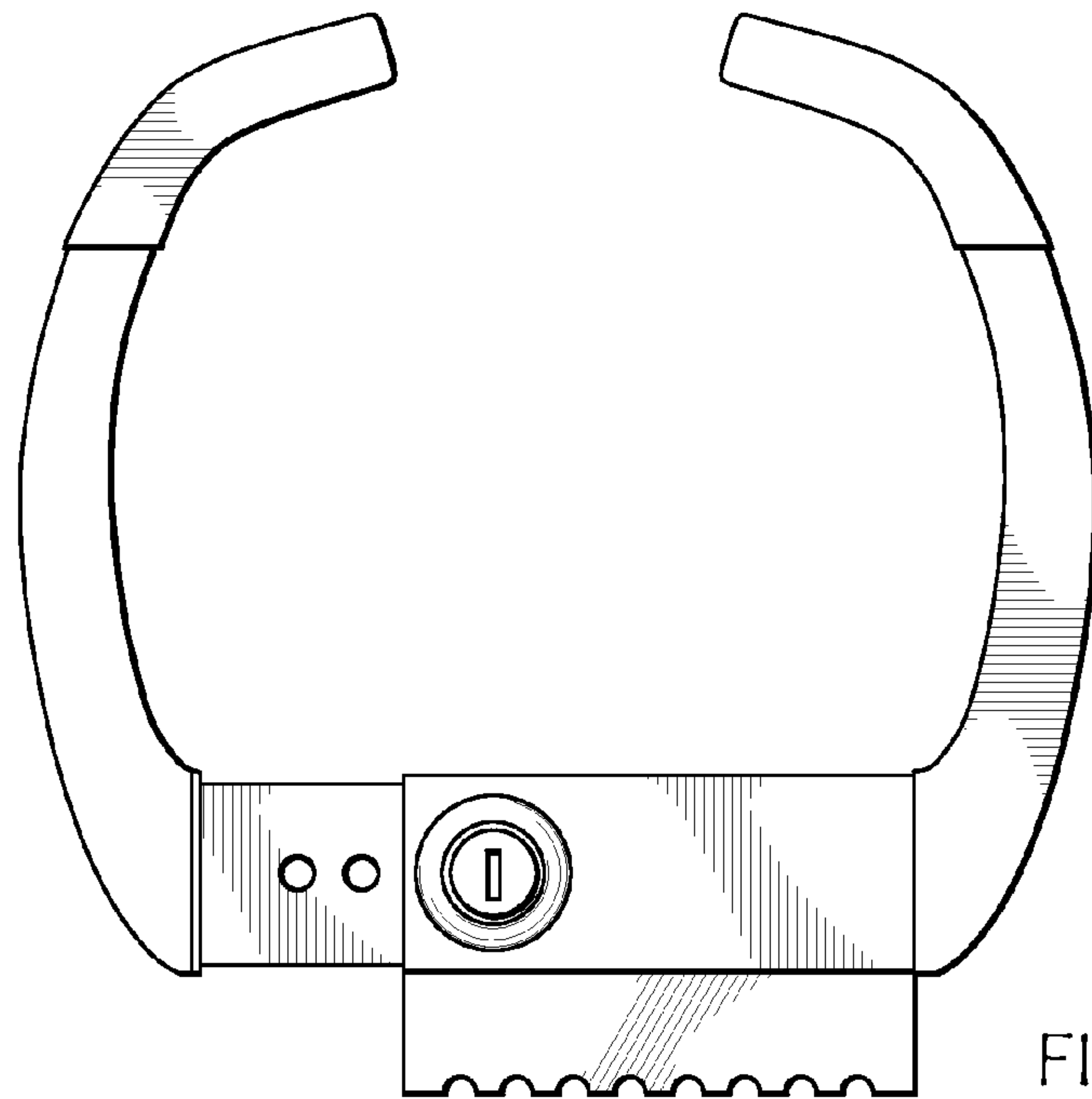
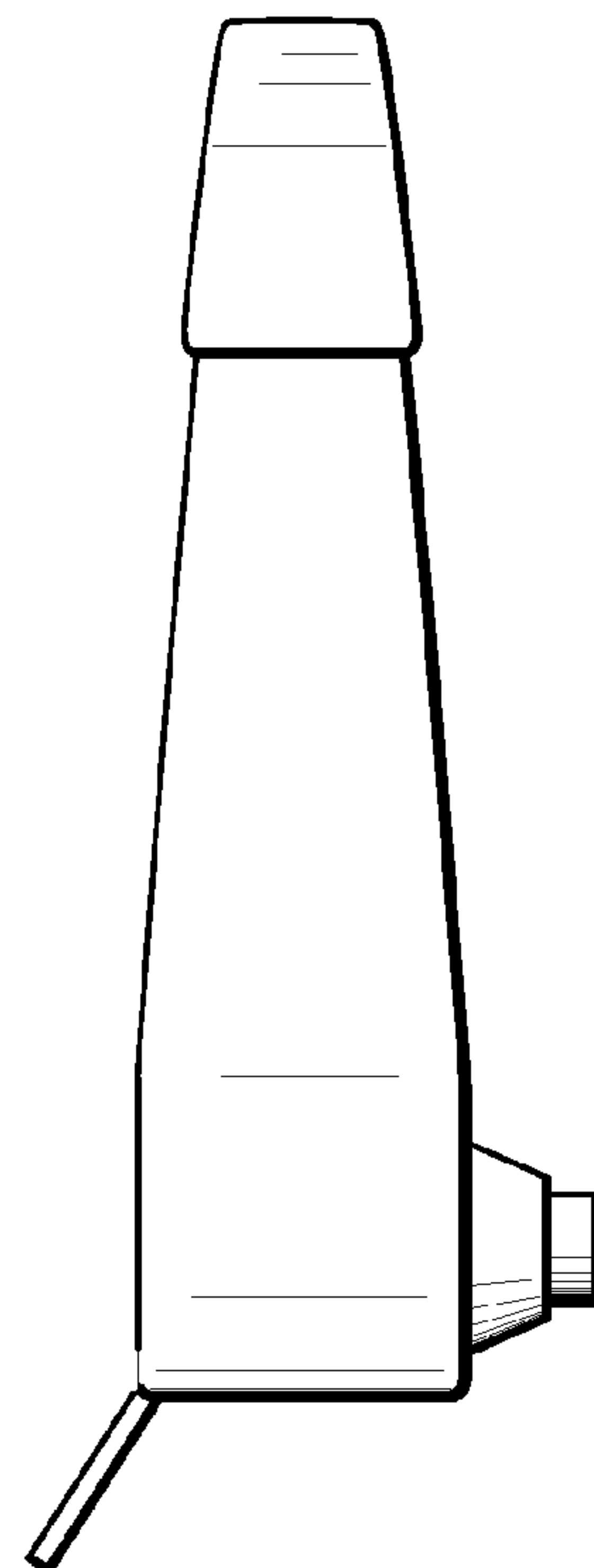
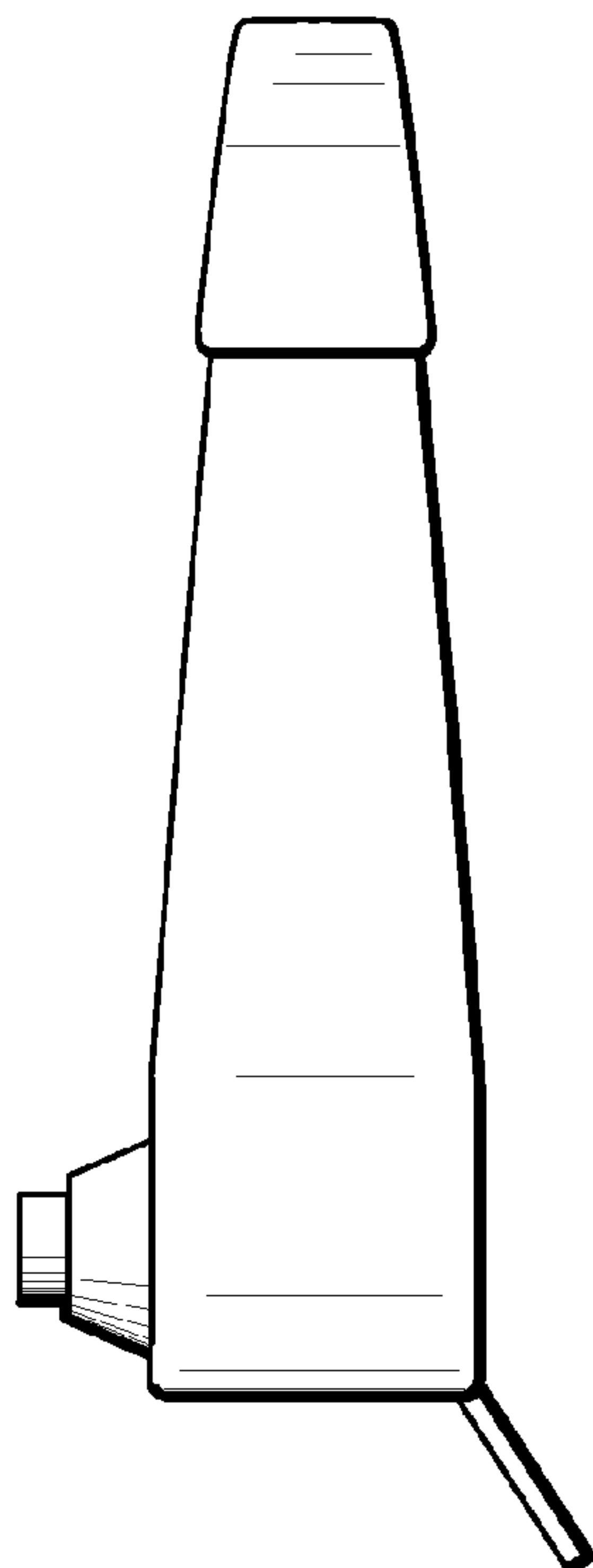
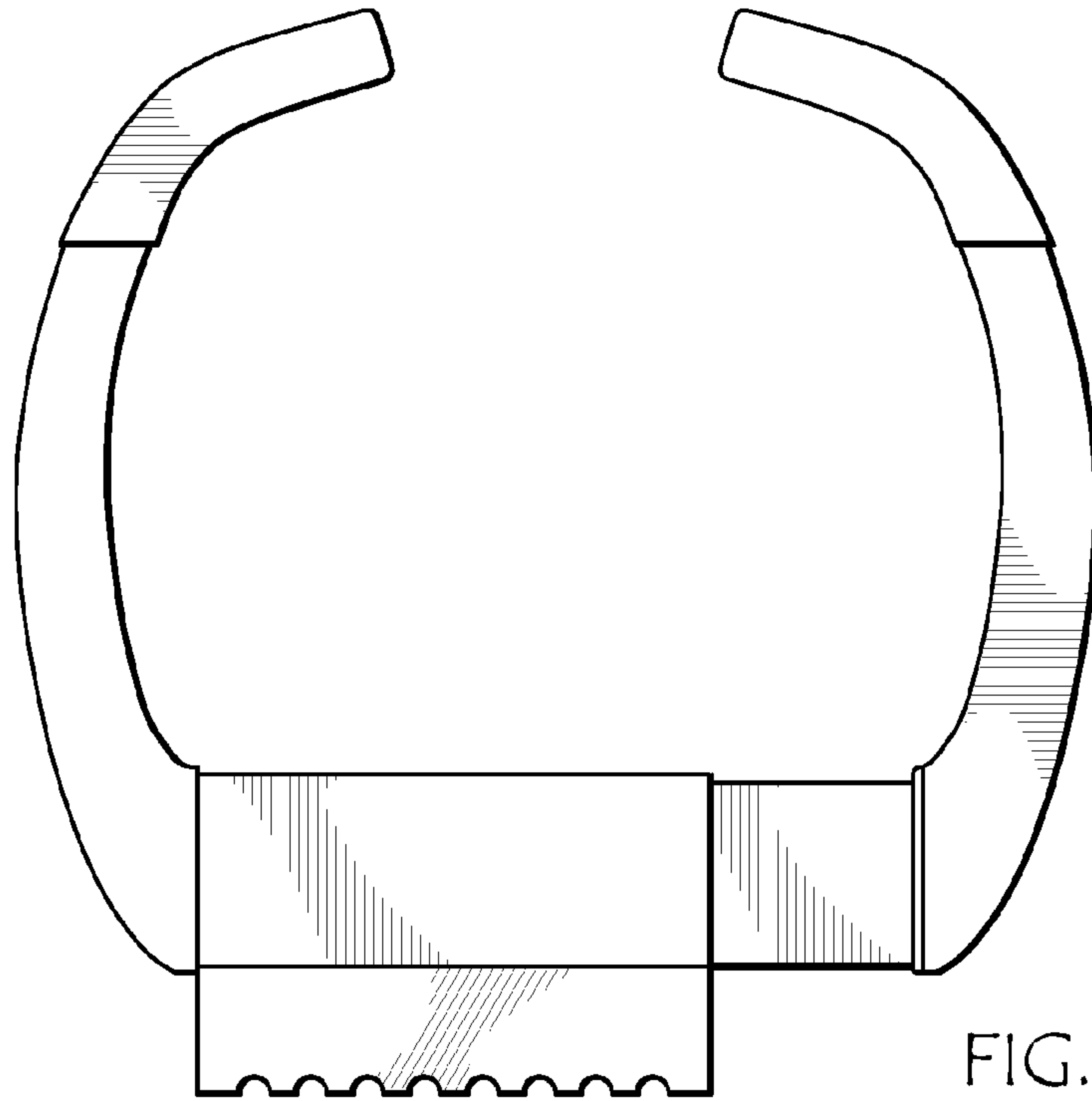


FIG. 2



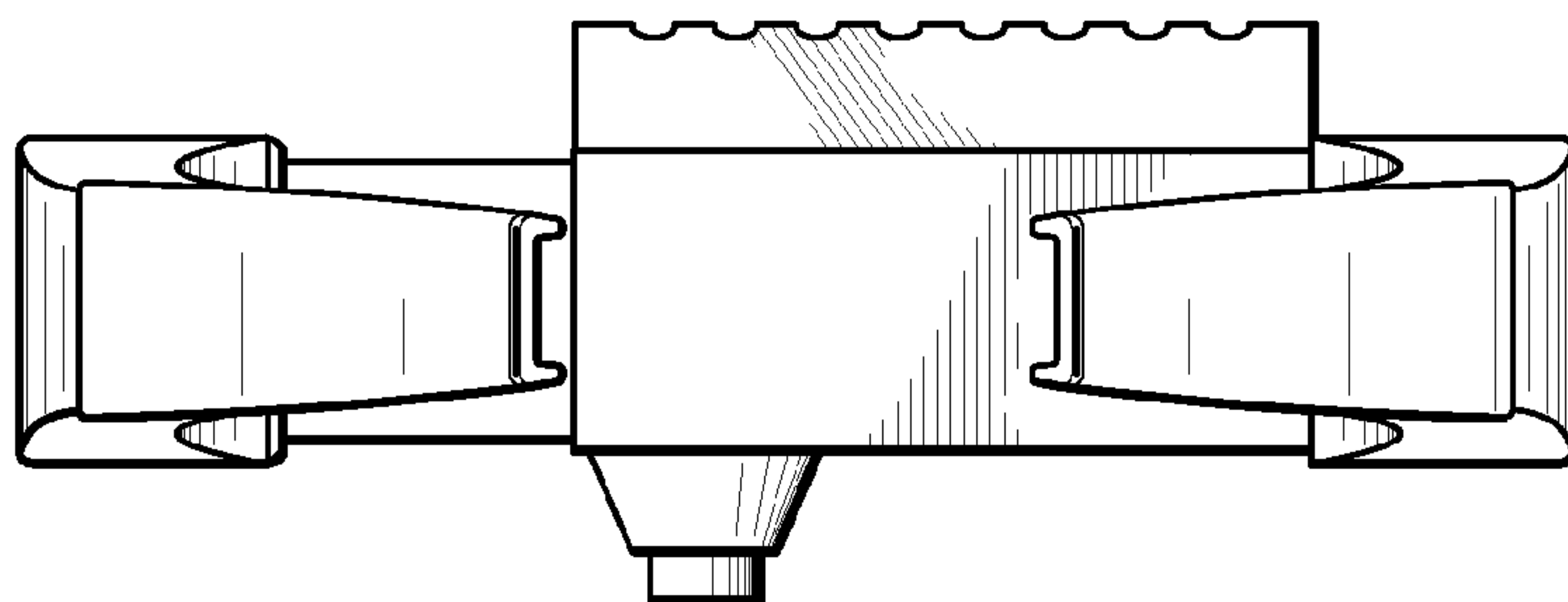


FIG. 6

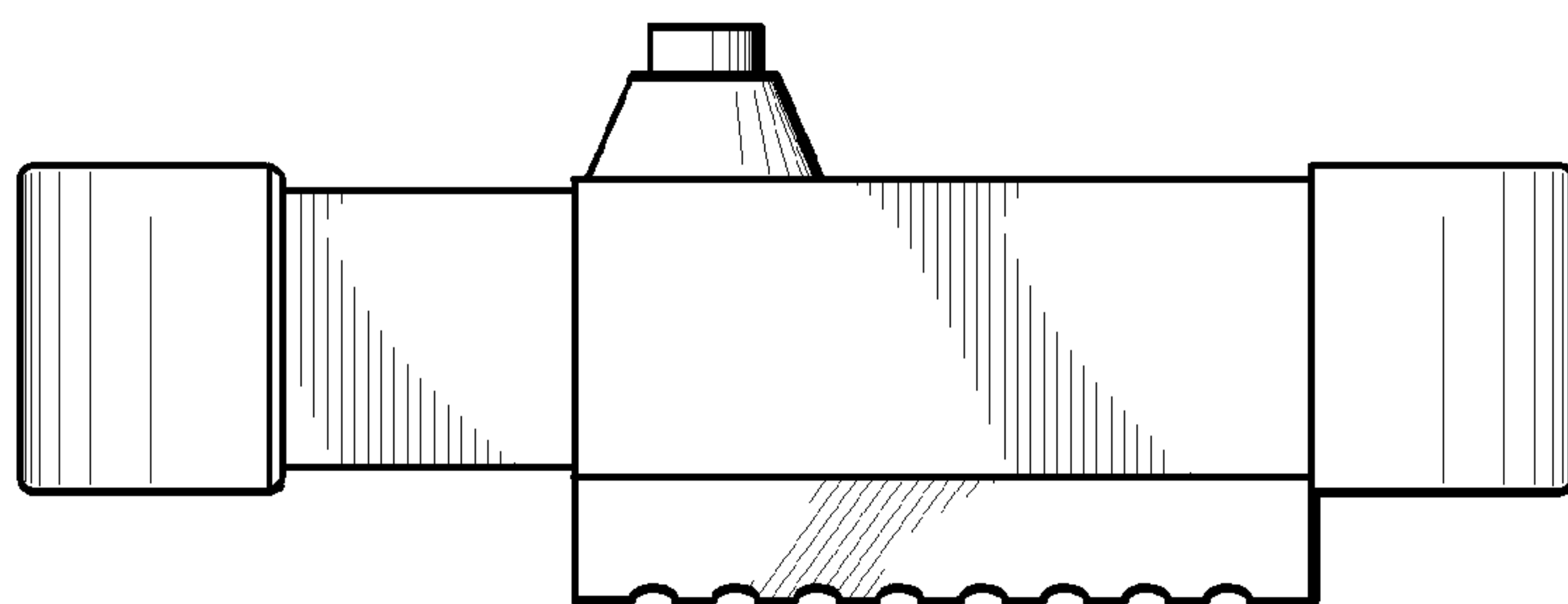


FIG. 7