



US00D696926S

(12) **United States Design Patent**
Kemppainen

(10) **Patent No.:** **US D696,926 S**
(45) **Date of Patent:** **** Jan. 7, 2014**

- (54) **COMBINATION LOCK**
- (75) Inventor: **Kurt Kemppainen**, Mound, MN (US)
- (73) Assignee: **Wordlock, Inc.**, Santa Clara, CA (US)
- (**) Term: **14 Years**
- (21) Appl. No.: **29/427,099**
- (22) Filed: **Jul. 13, 2012**
- (51) **LOC (10) Cl.** **08-07**
- (52) **U.S. Cl.**
USPC **D8/334**
- (58) **Field of Classification Search**
USPC D8/330, 331, 334, 333, 335, 339;
70/20, 24-29, 31, 35, 38 R, 40-48, 14
See application file for complete search history.

- D418,392 S * 1/2000 Kelley D8/334
- D459,971 S * 7/2002 Quan et al. D8/343
- D473,446 S * 4/2003 Quan et al. D8/343
- D507,474 S * 7/2005 Welch D8/334
- D606,494 S * 12/2009 Holliday D13/133
- D662,394 S * 6/2012 Schmidt et al. D8/334

* cited by examiner

Primary Examiner — Prabhakar Deshmukh
(74) *Attorney, Agent, or Firm* — Lucas & Mercanti, LLP

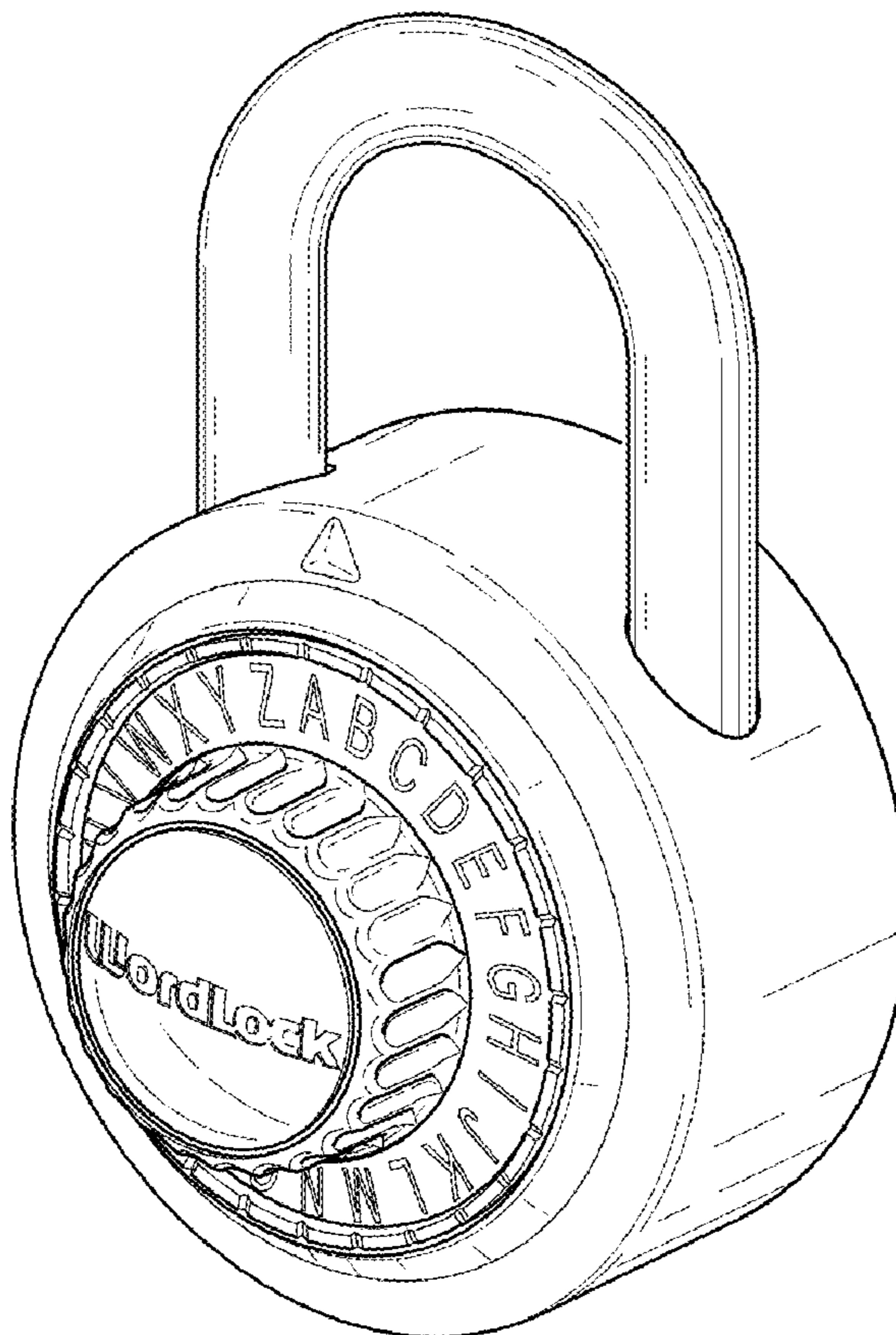
(57) **CLAIM**
The ornamental design for a combination lock, as shown and described.

DESCRIPTION

FIG. 1 is a perspective view of a combination lock showing my new design;
FIG. 2 is a front elevational view thereof;
FIG. 3 is a rear elevational view thereof;
FIG. 4 is a right side elevational view thereof, the left side elevational view being a mirror image thereof;
FIG. 5 is atop plan view thereof; and,
FIG. 6 is a bottom plan view thereof.
The broken lines indicate disclaimed portion and form no part of the claimed design.

- (56) **References Cited**
U.S. PATENT DOCUMENTS
- D95,463 S * 4/1935 Soref et al. D8/334
- 2,378,768 A * 6/1945 Heyer 70/21
- 2,931,204 A * 4/1960 Check 70/21
- 4,055,972 A * 11/1977 Calegan 70/21
- 4,422,311 A * 12/1983 Zabel et al. 70/25
- 4,462,231 A * 7/1984 Zabel 70/21
- D276,408 S * 11/1984 Zabel et al. D8/334

1 Claim, 2 Drawing Sheets



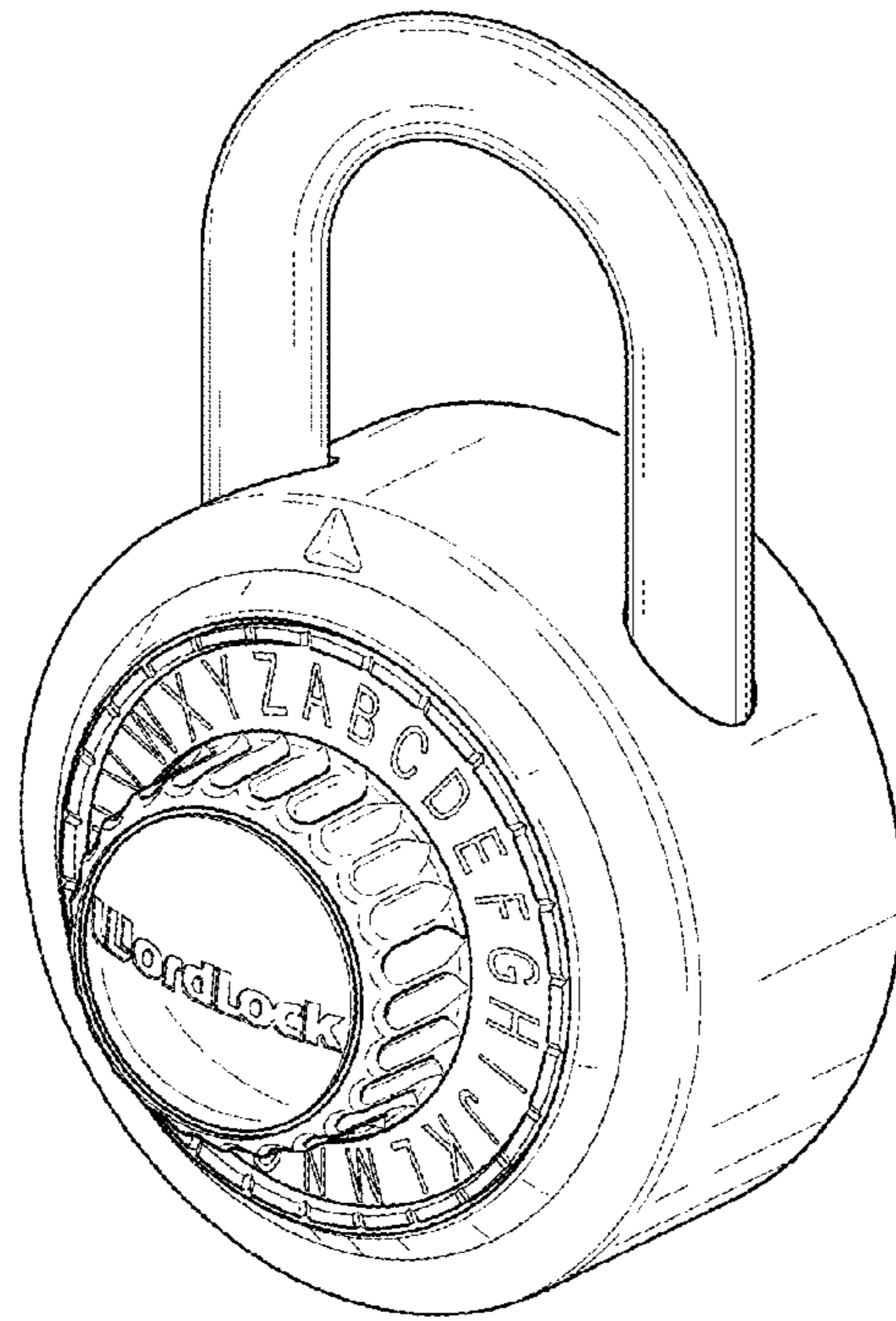


Fig. 1

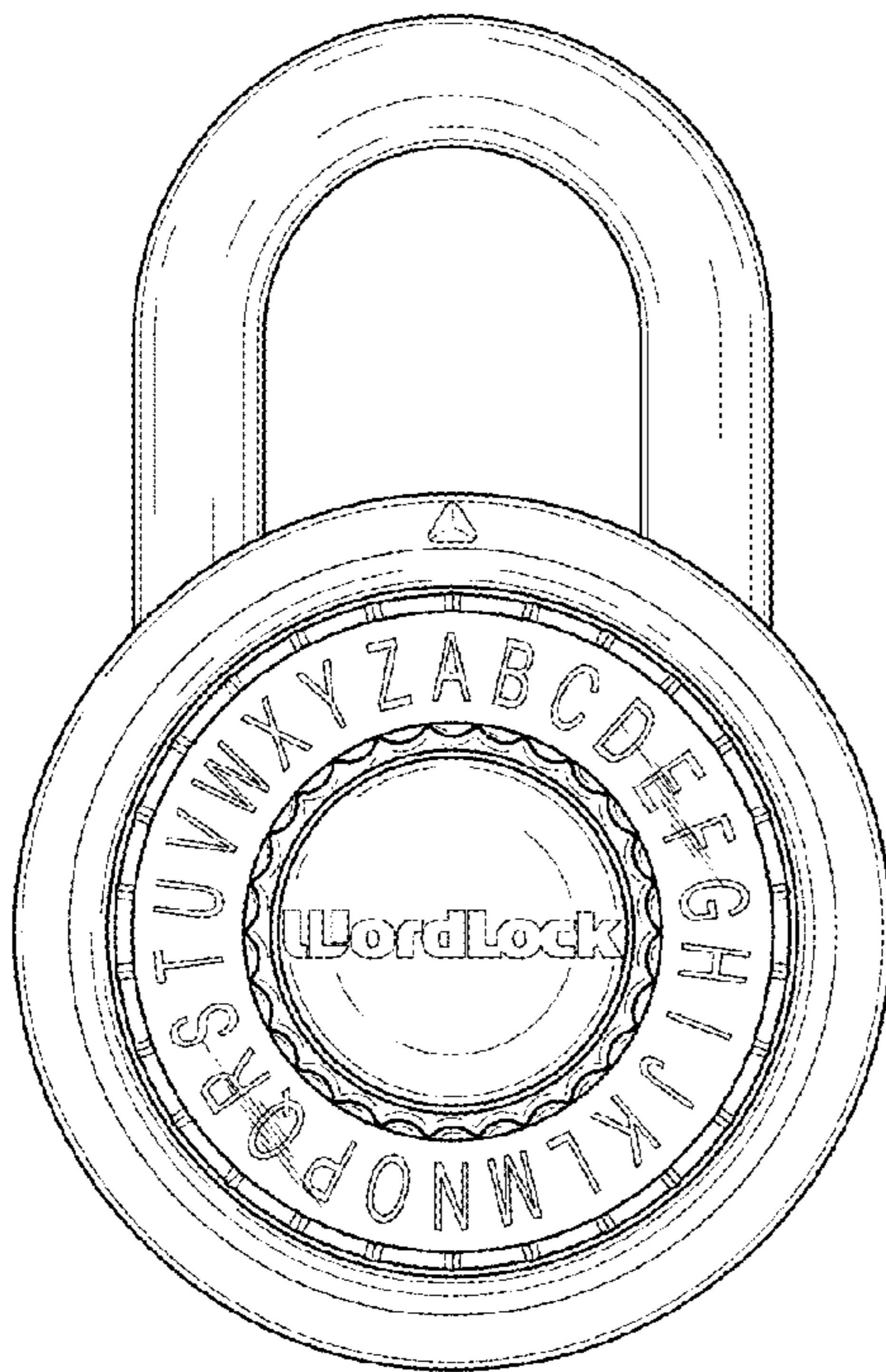


Fig. 2

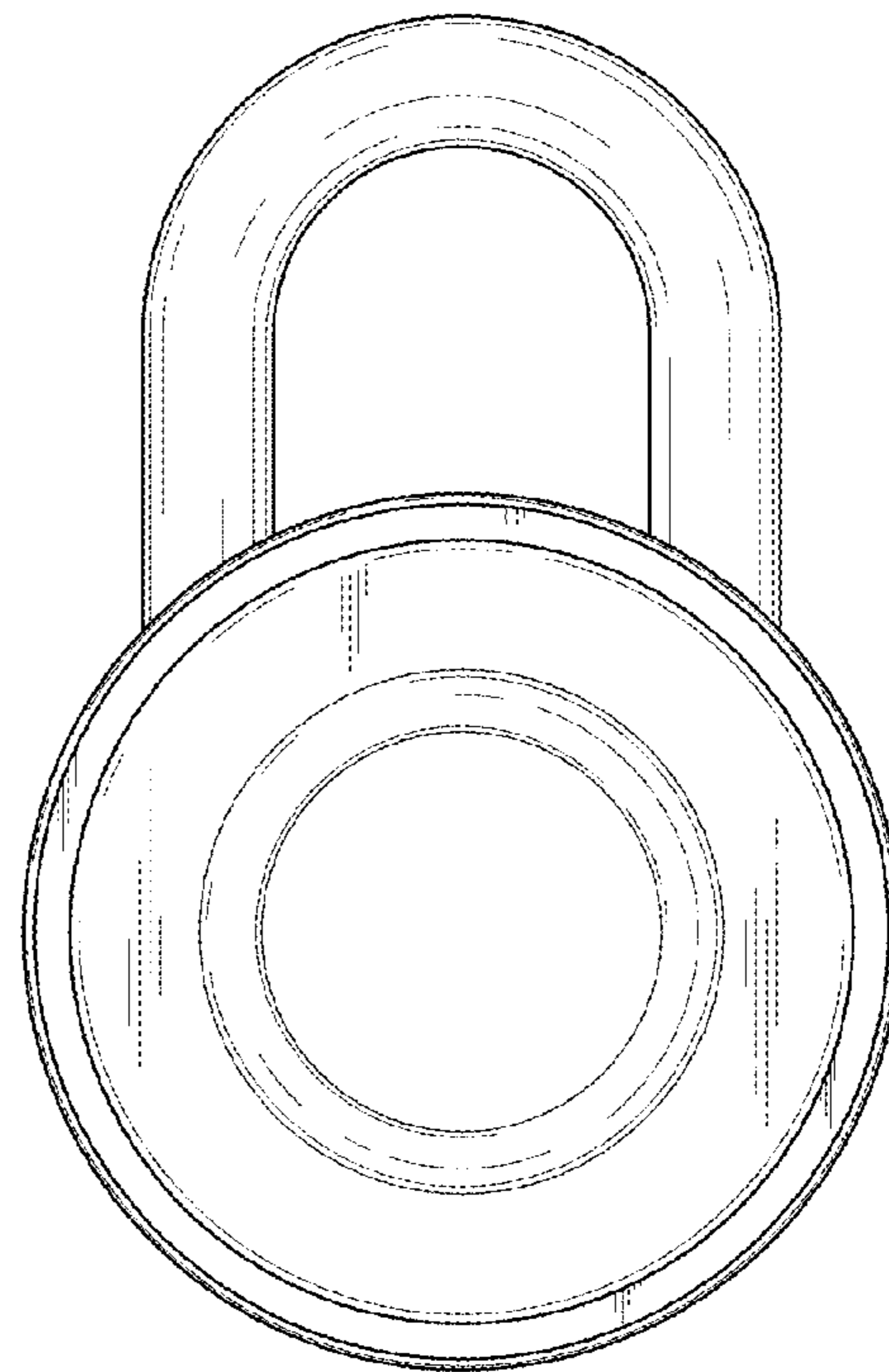


Fig. 3

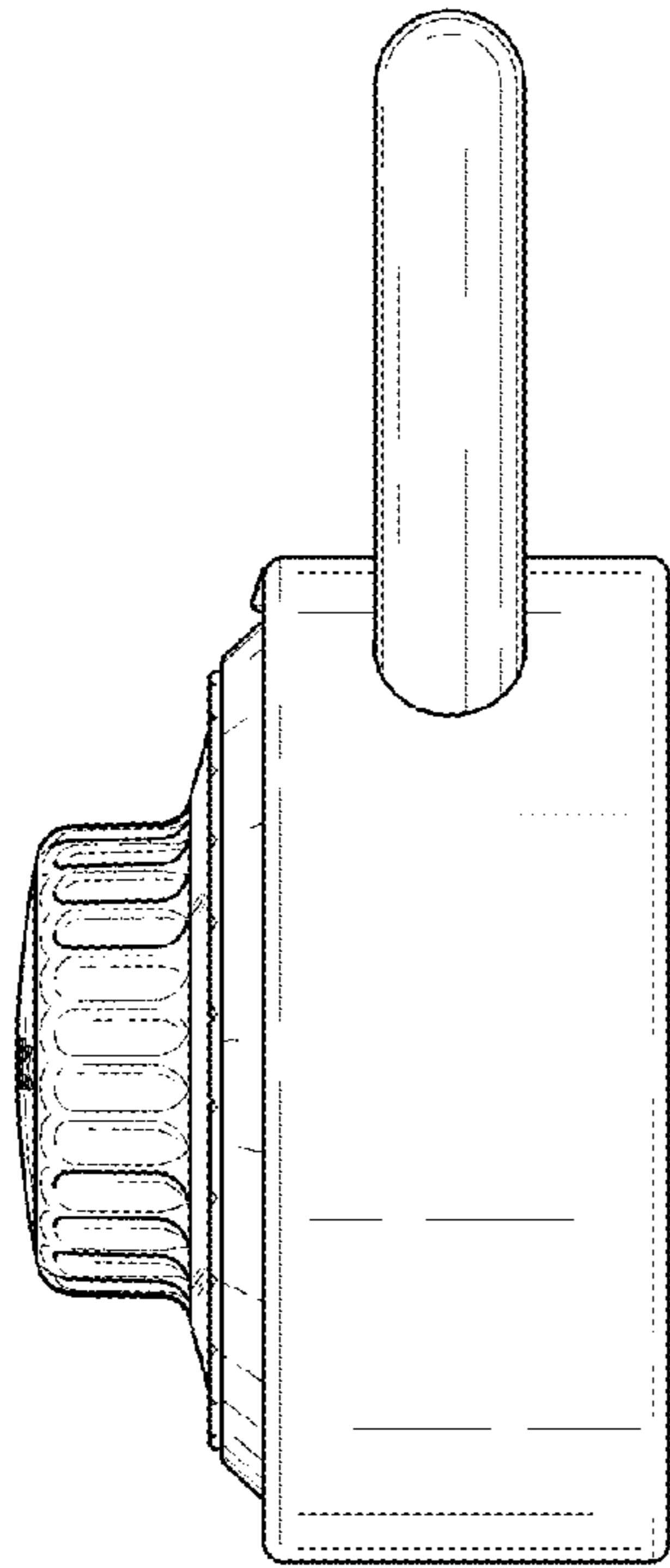


Fig. 4

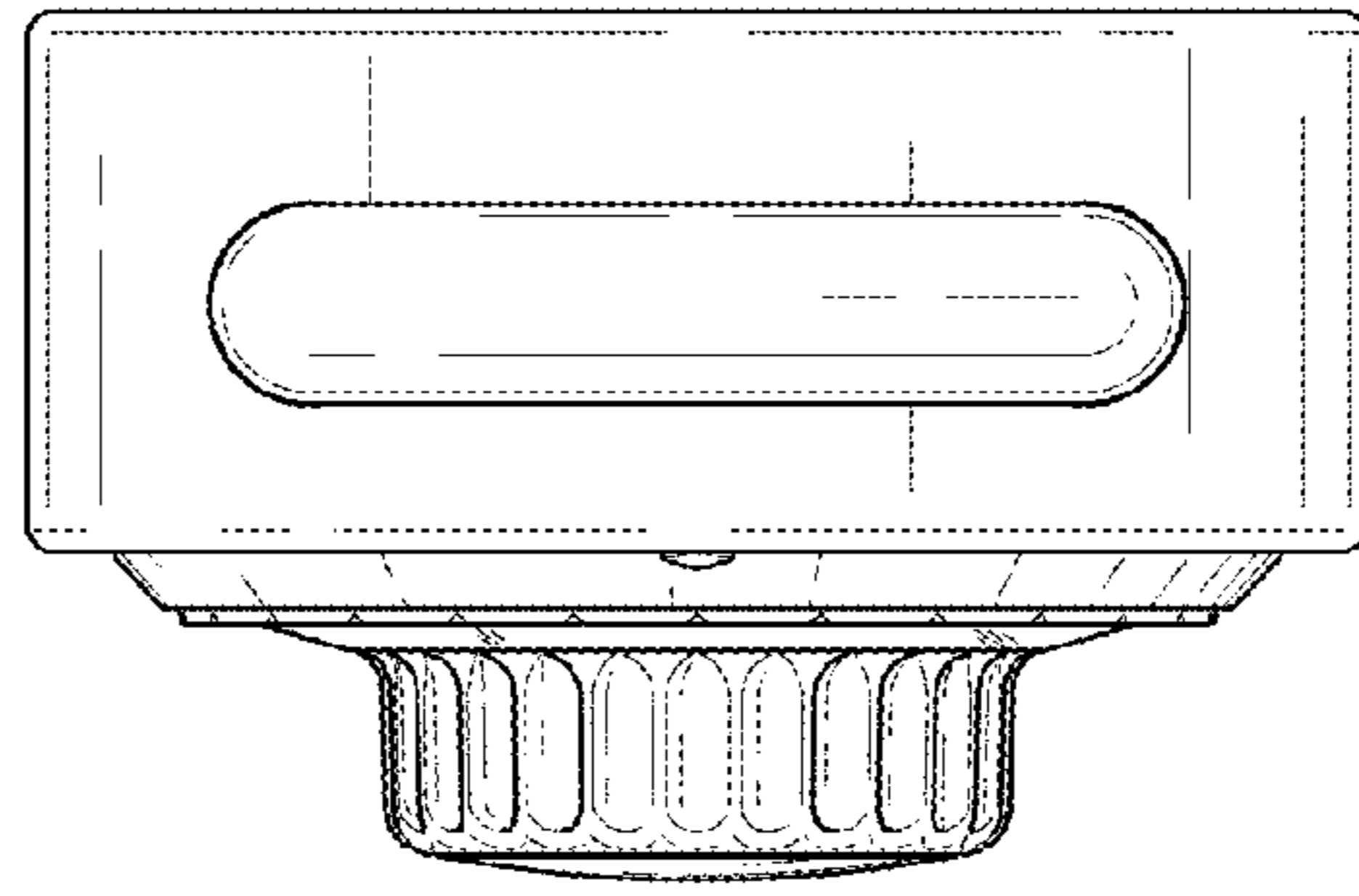


Fig. 5

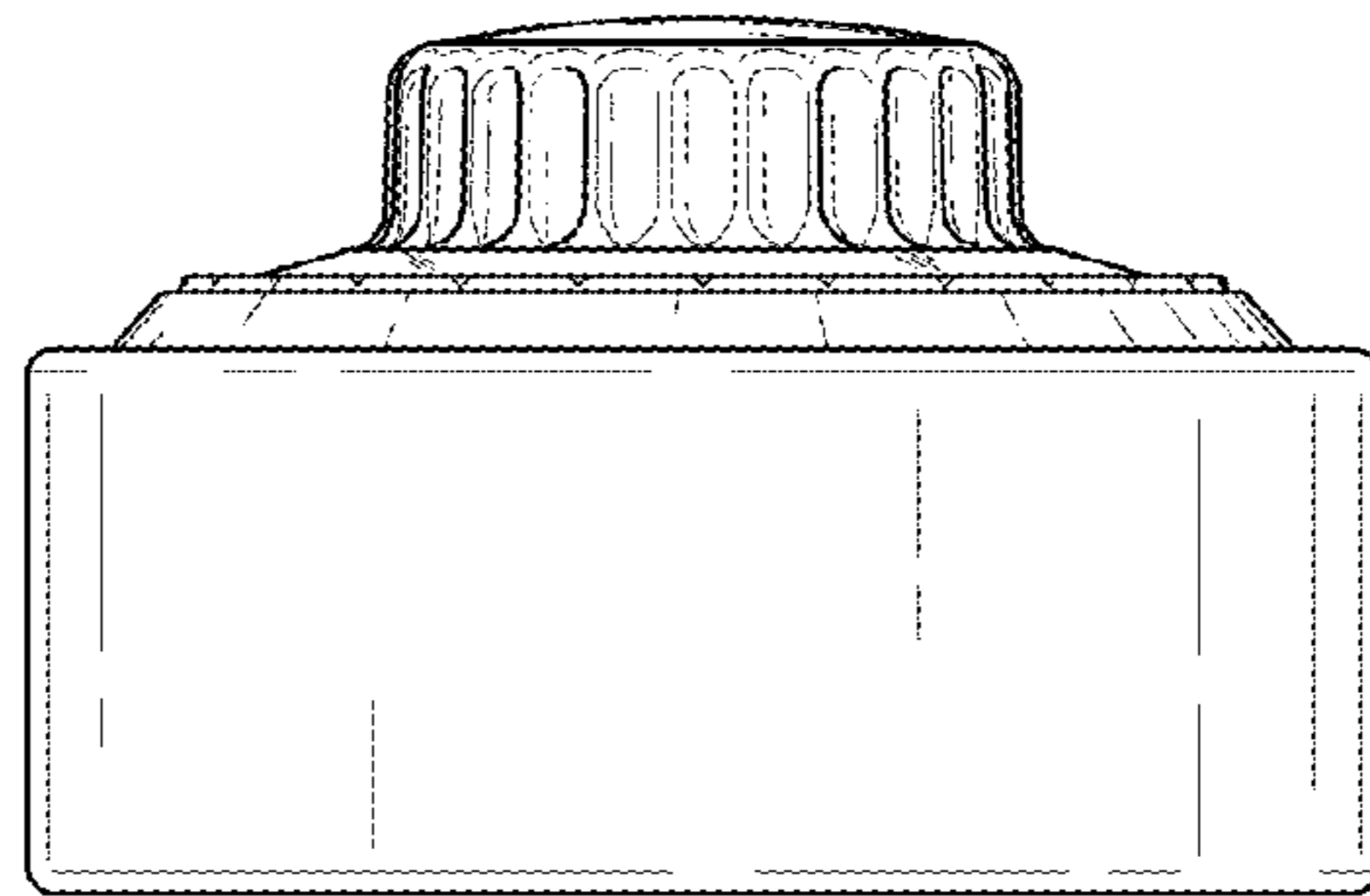


Fig. 6