



US00D696923S

(12) **United States Design Patent**
Ichikawa

(10) **Patent No.:** **US D696,923 S**
(45) **Date of Patent:** **** Jan. 7, 2014**

(54) **BICYCLE GRIP**

(76) Inventor: **Tomonari Ichikawa**, Nishinomiya (JP)

(**) Term: **14 Years**

(21) Appl. No.: **29/431,474**

(22) Filed: **Sep. 7, 2012**

(51) **LOC (10) Cl.** **12-11**

(52) **U.S. Cl.**
USPC **D8/303**

(58) **Field of Classification Search**
USPC D8/300, 303, 107; D12/178; 16/110.1,
16/421, 430, DIG. 12; 74/551.8, 551.9,
74/488, 489, 502.2

See application file for complete search history.

(56) **References Cited**

U.S. PATENT DOCUMENTS

| | | | | |
|-----------|------|---------|--------------------|----------|
| 3,344,684 | A * | 10/1967 | Steere, Jr. et al. | 74/551.9 |
| D269,408 | S * | 6/1983 | Merritt | D8/303 |
| D284,259 | S * | 6/1986 | Oury | D8/303 |
| D441,162 | S | 4/2001 | Grove et al. | |
| 7,044,020 | B2 * | 5/2006 | Rosenthal | 74/551.9 |
| D554,465 | S | 11/2007 | Laurienzo et al. | |
| D565,384 | S * | 4/2008 | Chen | D8/303 |
| D648,204 | S * | 11/2011 | Parvey | D8/303 |

OTHER PUBLICATIONS

Tips for Custom <Bar/Tape/Grip>, Bicycle Custom Book, May 19, 2012, Ei-Publishing Co Ltd., Japan.

* cited by examiner

Primary Examiner — Susan M Lee

Assistant Examiner — Linda Brooks

(74) *Attorney, Agent, or Firm* — John D. Long, Esq; Long & Chybik

(57) **CLAIM**

The ornamental design for bicycle grip, as shown and described.

DESCRIPTION

FIG. 1 is a perspective view of a bicycle grip showing my new design;

FIG. 2 is a front elevation view thereof;

FIG. 3 is a rear elevation view thereof;

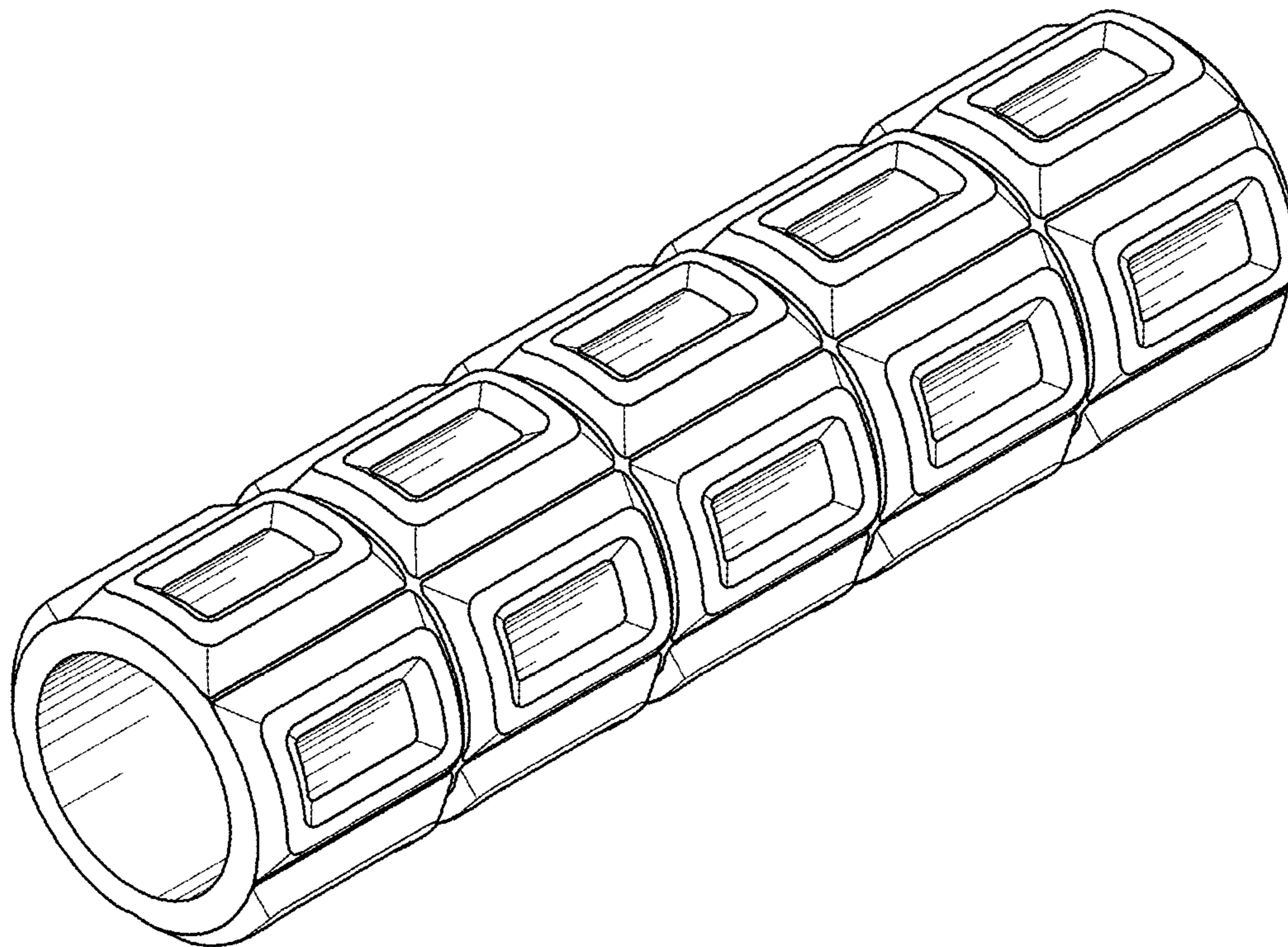
FIG. 4 is a left side view thereof;

FIG. 5 is a right side view thereof;

FIG. 6 is a top plan view thereof; and,

FIG. 7 is a bottom plan view thereof.

1 Claim, 7 Drawing Sheets



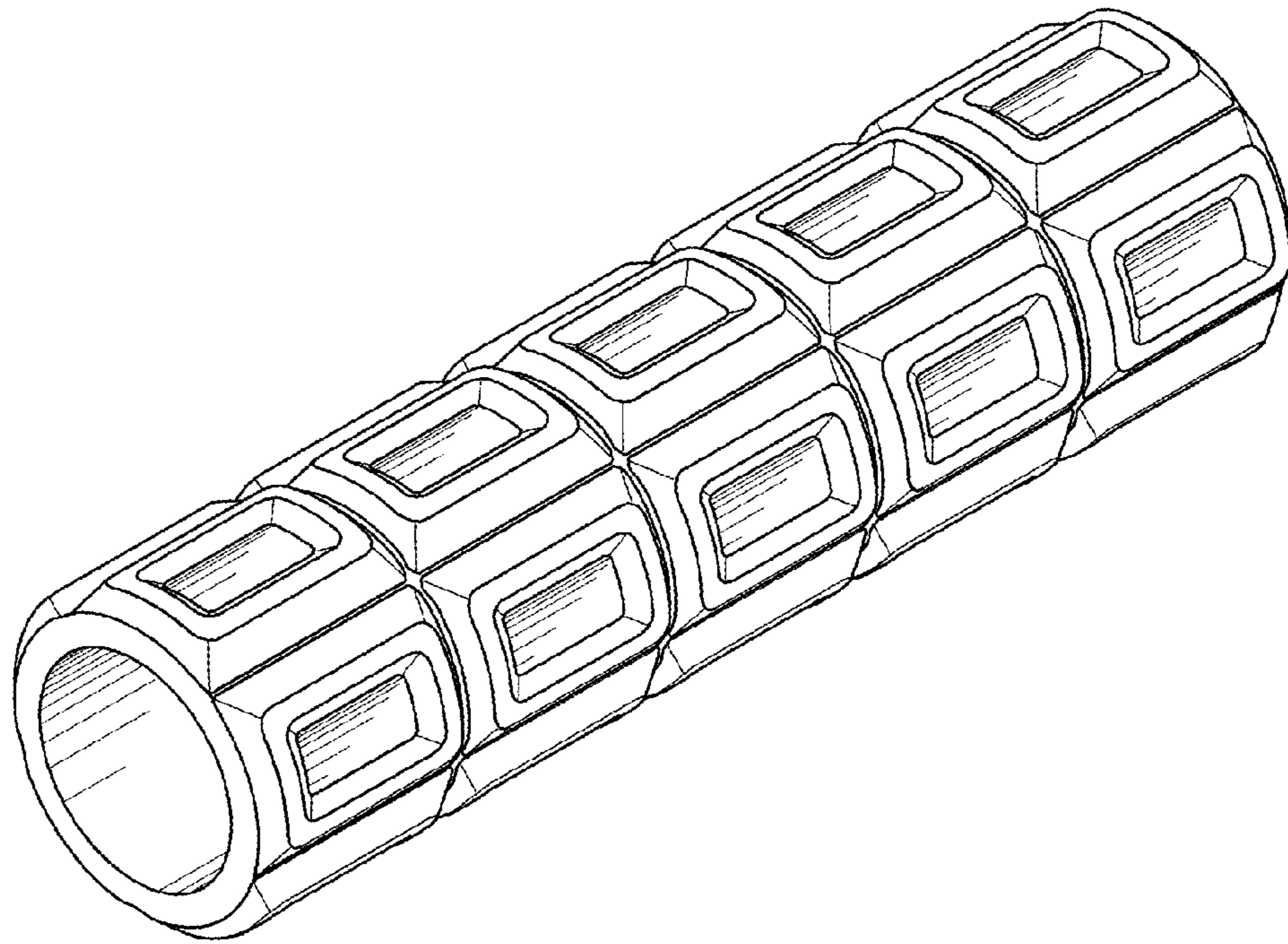


FIG. 1

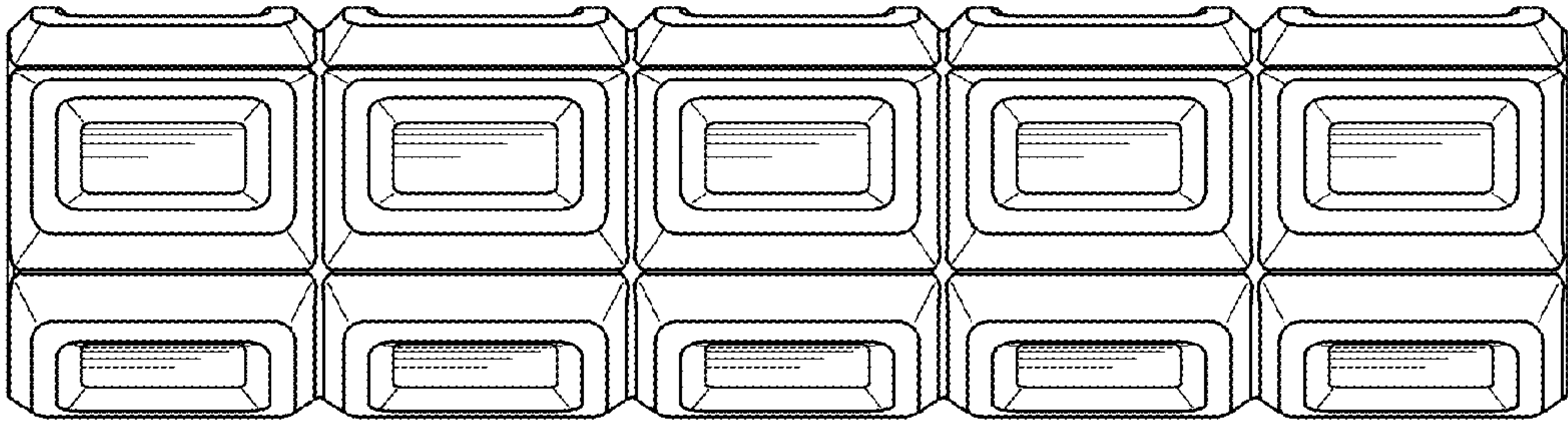


FIG. 2

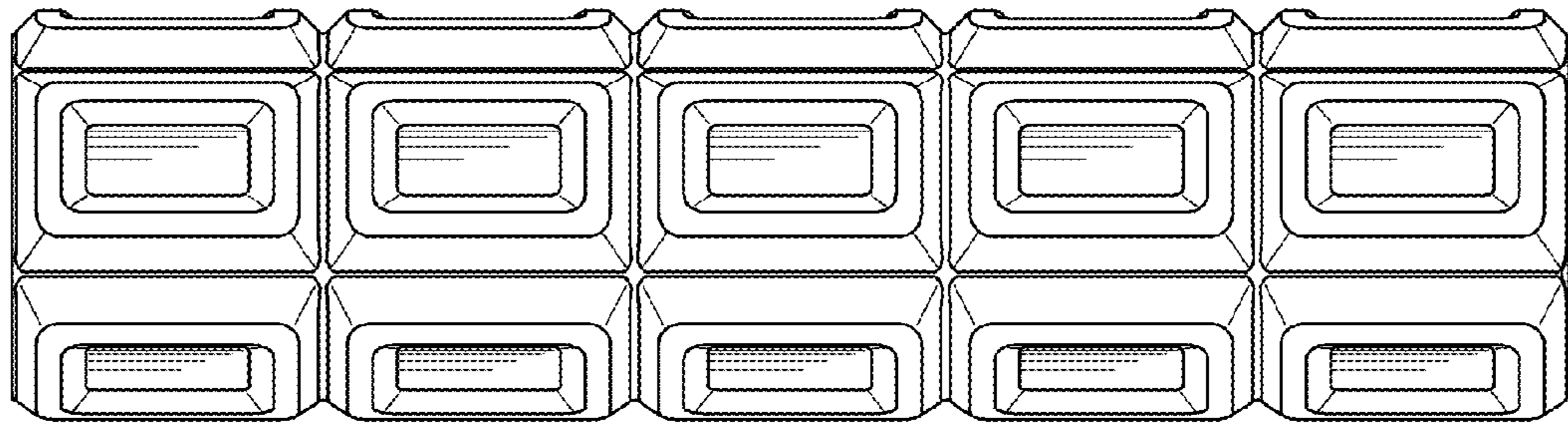


FIG. 3

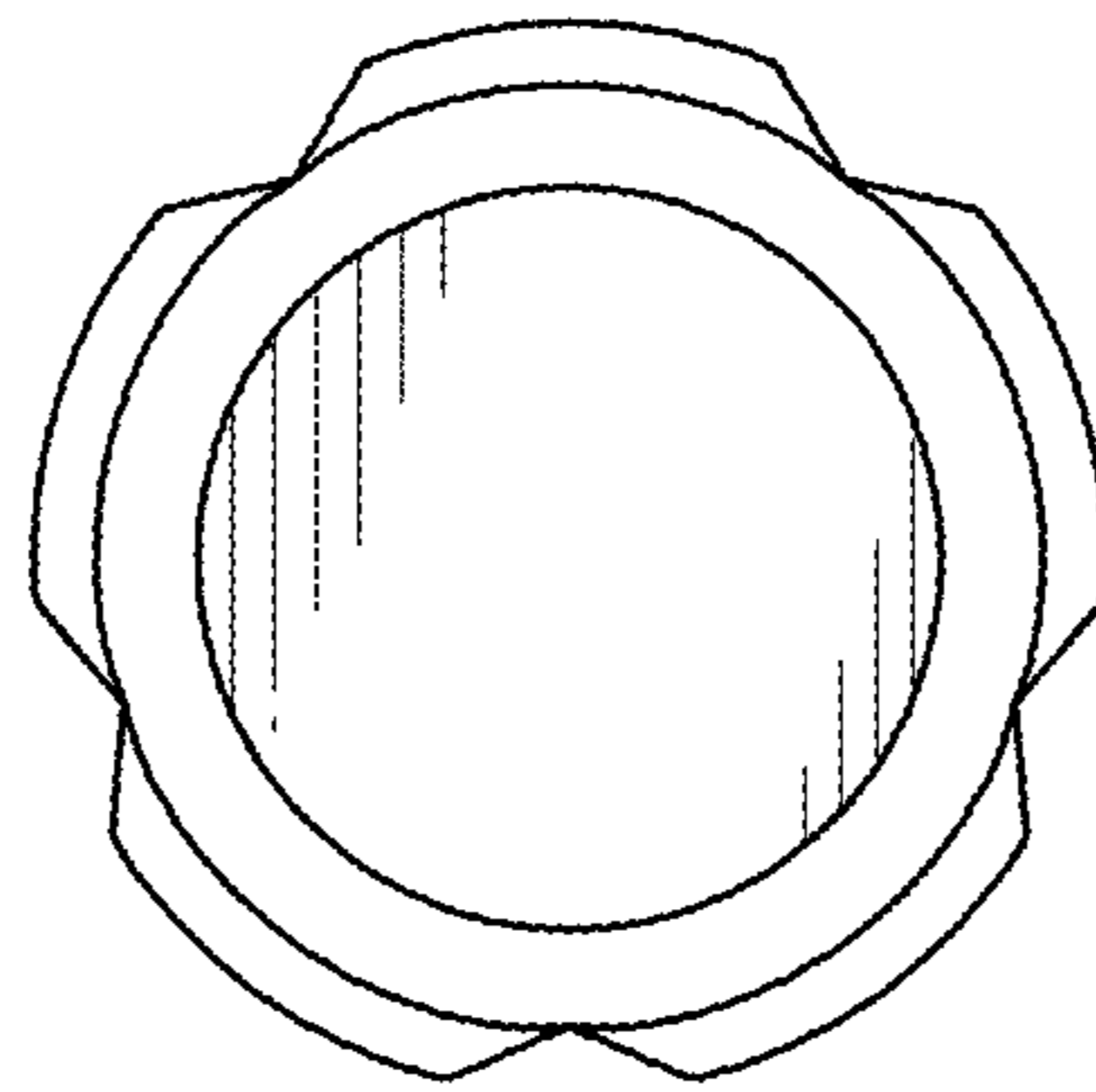


FIG. 4

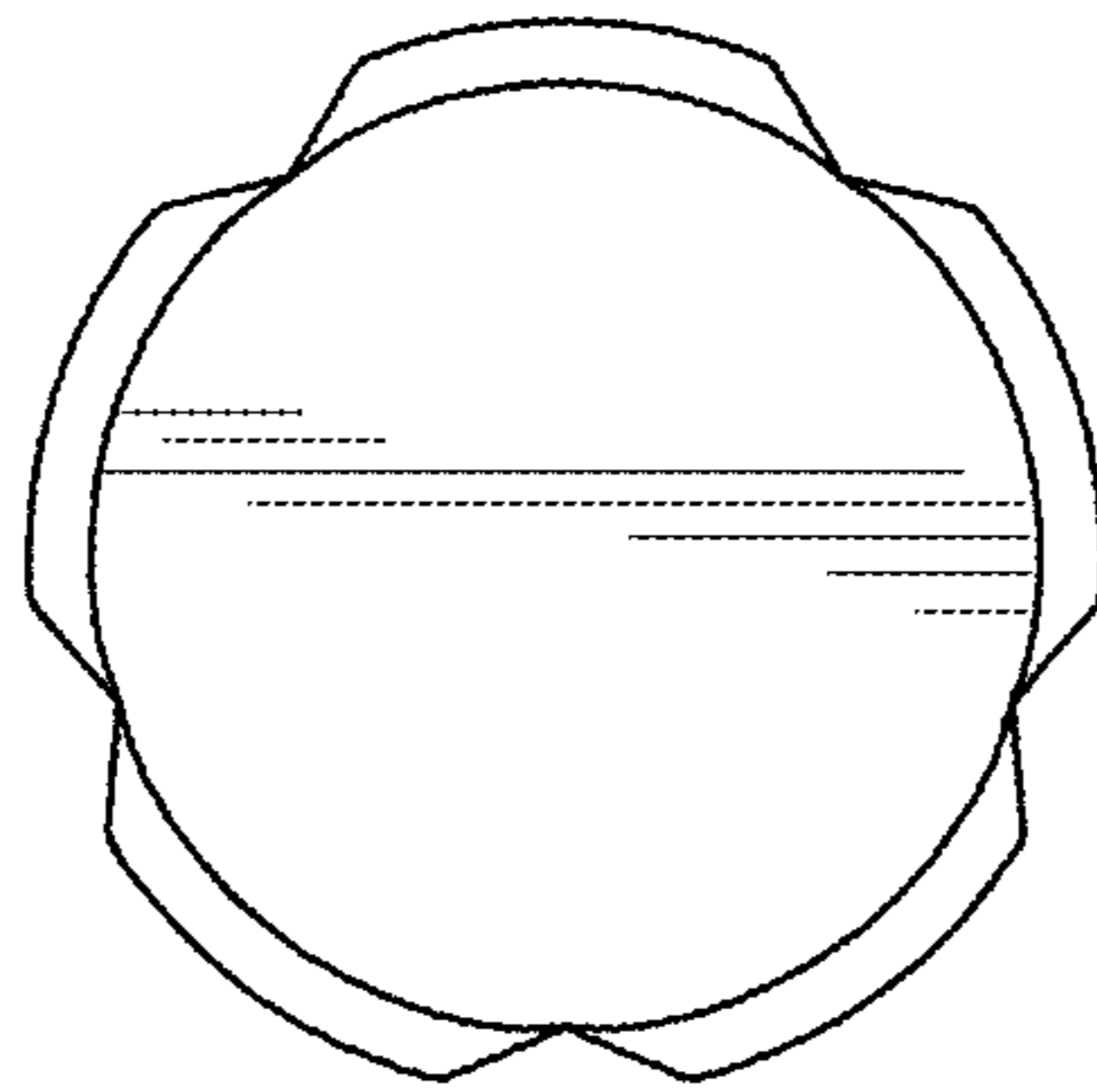


FIG. 5

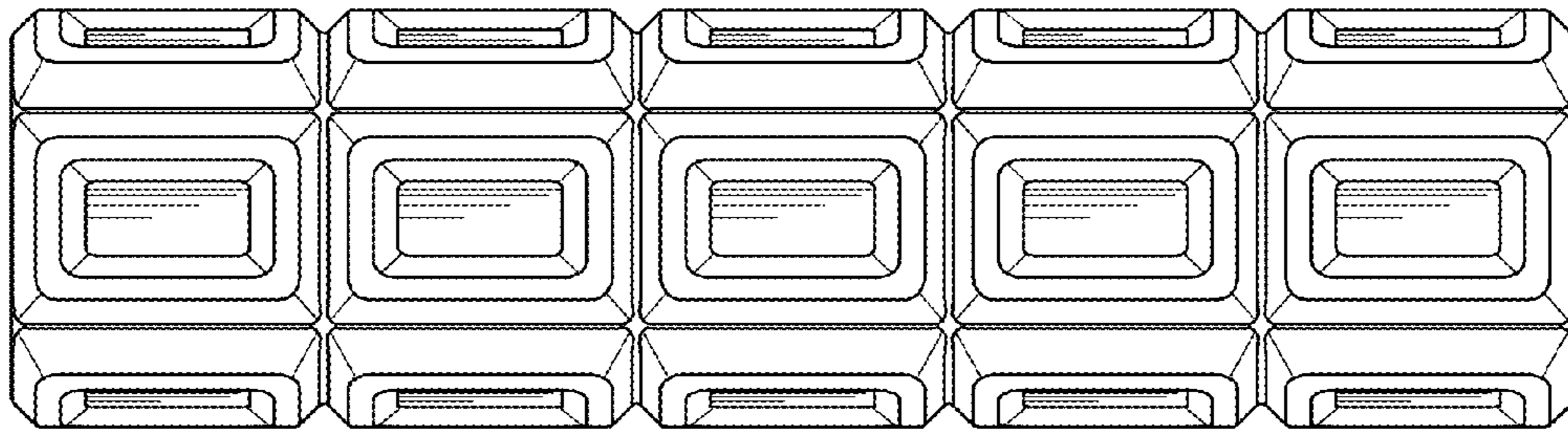


FIG. 6

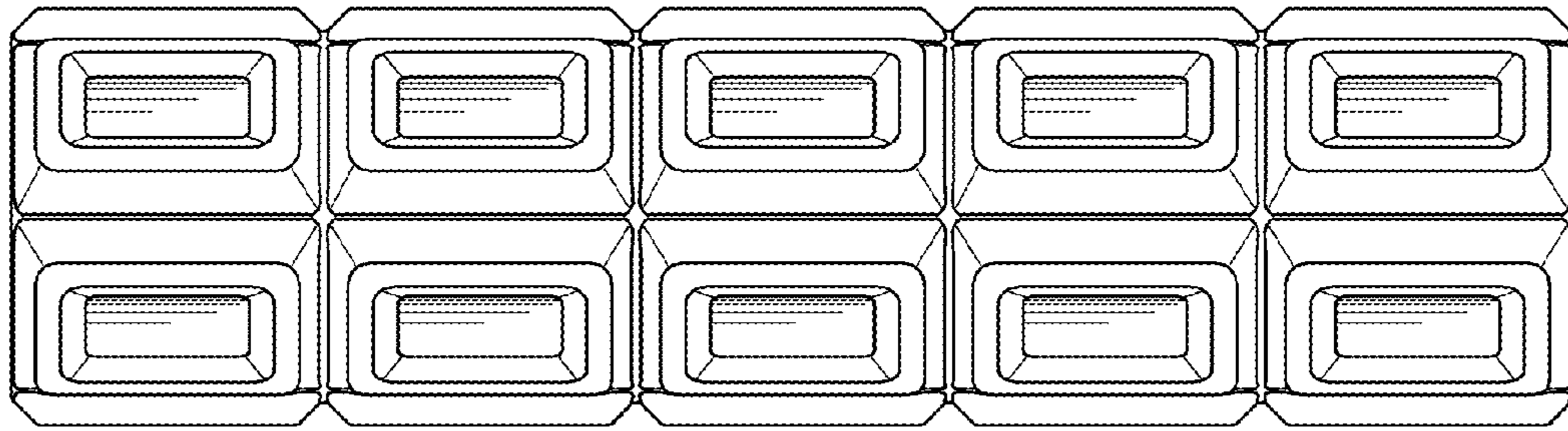


FIG. 7