



US00D696922S

(12) **United States Design Patent**
Cubillo

(10) **Patent No.:** **US D696,922 S**
(45) **Date of Patent:** **** Jan. 7, 2014**

- (54) **SKATEBOARD SPIKE HANDLE**
- (76) Inventor: **Enrique G. Cubillo**, New York, NY
(US)
- (**) Term: **14 Years**
- (21) Appl. No.: **29/429,286**
- (22) Filed: **Aug. 8, 2012**
- (51) **LOC (10) Cl.** **08-06**
- (52) **U.S. Cl.**
USPC **D8/303**
- (58) **Field of Classification Search**
USPC D8/300, 303, 307, 308, 107, 82, 83;
D3/5, 7, 8, 12; 16/110.1, 412, 415,
16/417, 430, 900, DIG. 12, DIG. 19;
280/821, 819; 81/177.4, 177.1;
74/551.9, 551.8
See application file for complete search history.

(56) **References Cited**

U.S. PATENT DOCUMENTS

1,970,409	A *	8/1934	Wiedemann	81/30
D94,406	S *	1/1935	Carlson	D8/302
D94,408	S *	1/1935	Carlson	D8/302
D104,502	S *	5/1937	Overmyer	D8/310
D187,842	S *	5/1960	Jeys	D3/16
D204,461	S *	4/1966	Volker	D22/108
3,651,718	A *	3/1972	Thomasian	81/480
D225,047	S *	11/1972	Torne et al.	D8/307

3,922,935	A *	12/1975	Dahlem	81/480
D260,599	S *	9/1981	Wong	D8/82
D339,279	S *	9/1993	Baum	D8/83
D369,816	S *	5/1996	Kingsley et al.	D15/142
D377,444	S *	1/1997	Lin	D8/107
6,347,450	B1 *	2/2002	Langlois et al.	29/748
7,373,860	B1 *	5/2008	Rinner	81/177.1
D613,144	S *	4/2010	Lin	D8/83
7,861,373	B2 *	1/2011	Fawcett, Jr.	16/110.1
D646,783	S *	10/2011	Bast et al.	D24/133
D654,589	S *	2/2012	Bast et al.	D24/133
8,167,669	B1 *	5/2012	Xie et al.	440/102

* cited by examiner

Primary Examiner — Paula Greene

(57) **CLAIM**

The ornamental design for the skateboard spike handle, as shown and described.

DESCRIPTION

FIG. 1 is a perspective view of one side and the front of the skateboard spike handle according to one embodiment of my new design;

FIG. 2 is a front view thereof;

FIG. 3 is a back view thereof;

FIG. 4 is a left side view thereof;

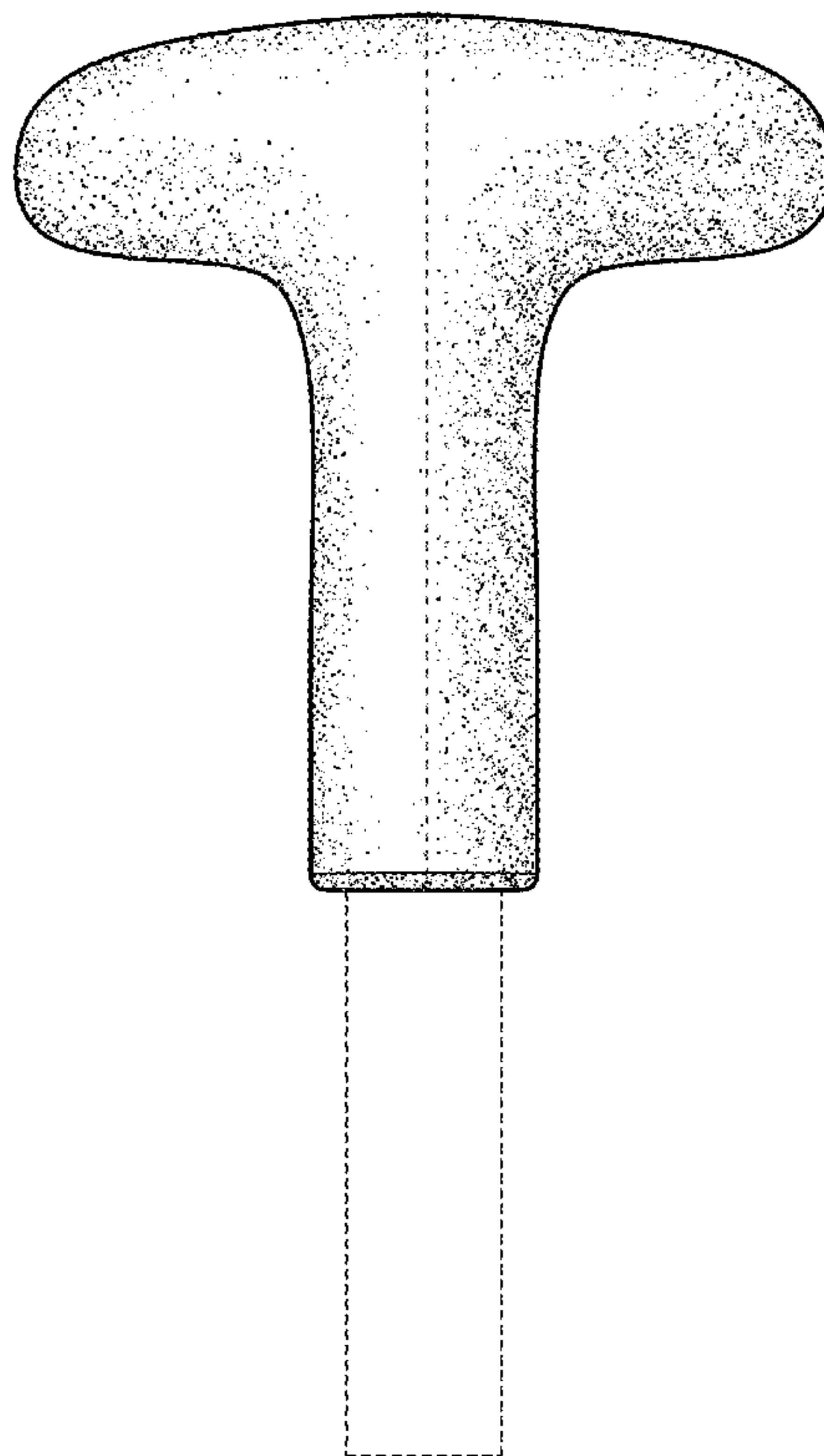
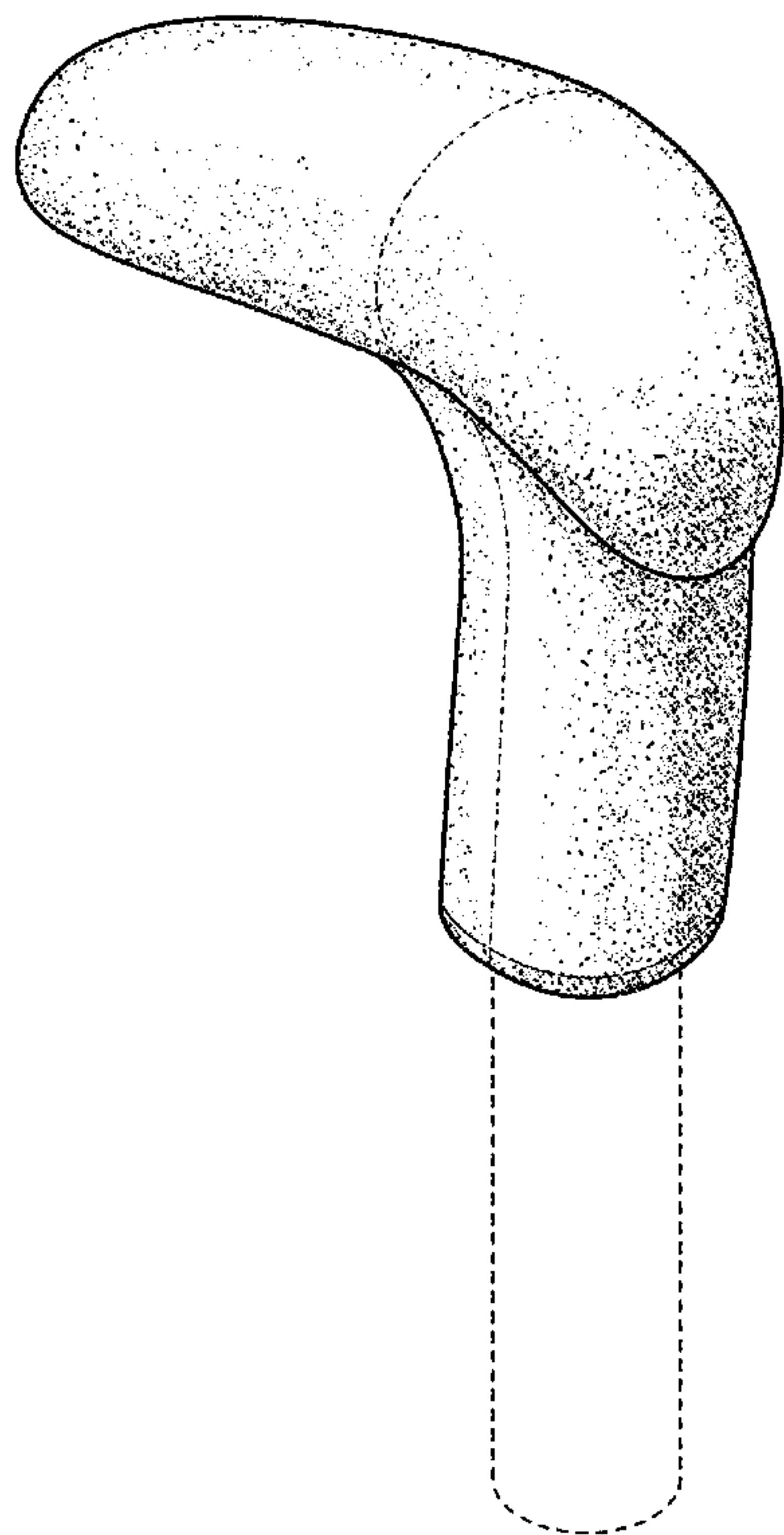
FIG. 5 is a right side view thereof;

FIG. 6 is a top view thereof; and,

FIG. 7 is a bottom view thereof.

The broken lines are for illustrative purposes only and form no part of the claimed design.

1 Claim, 7 Drawing Sheets



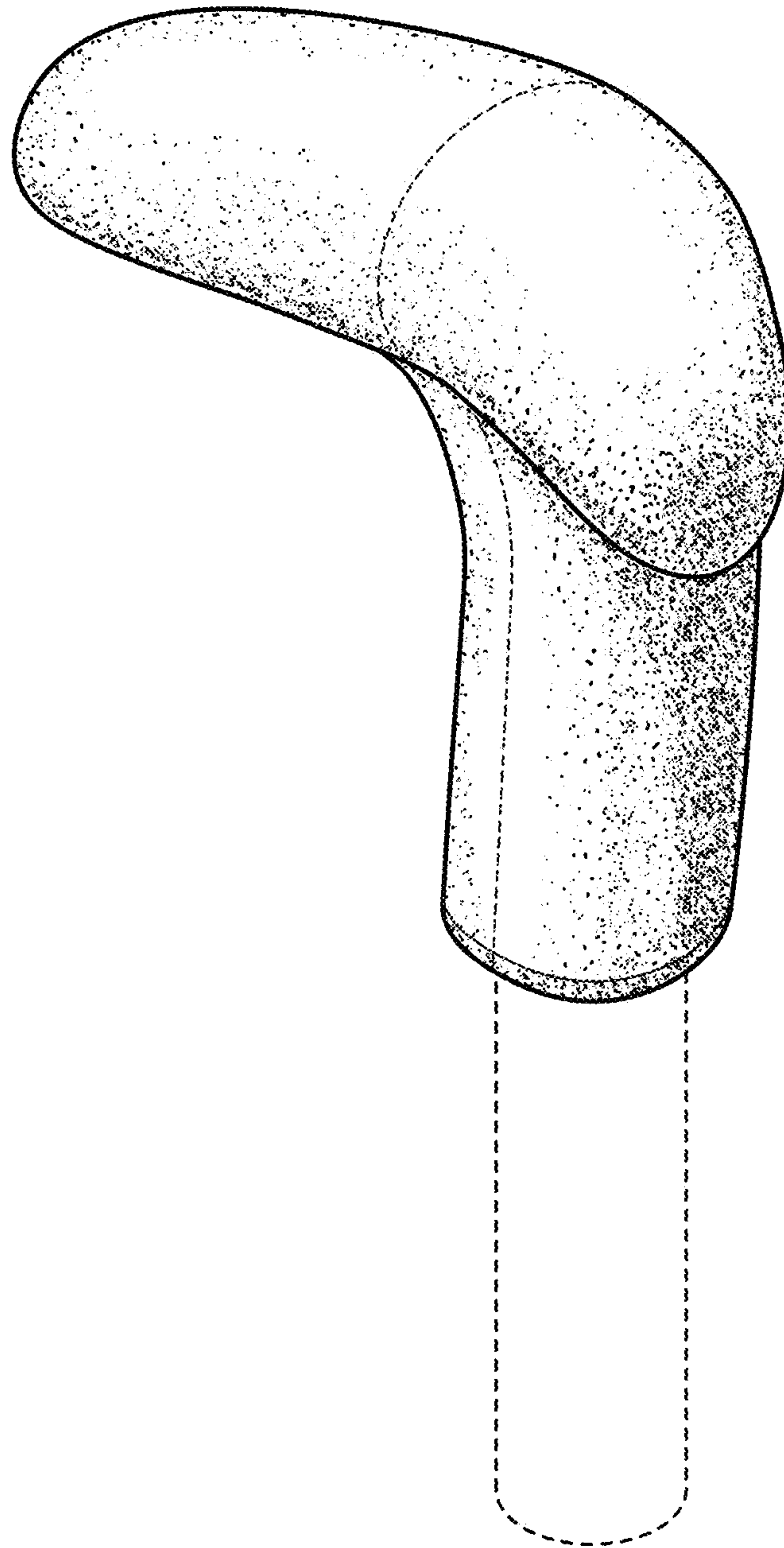


FIG. 1

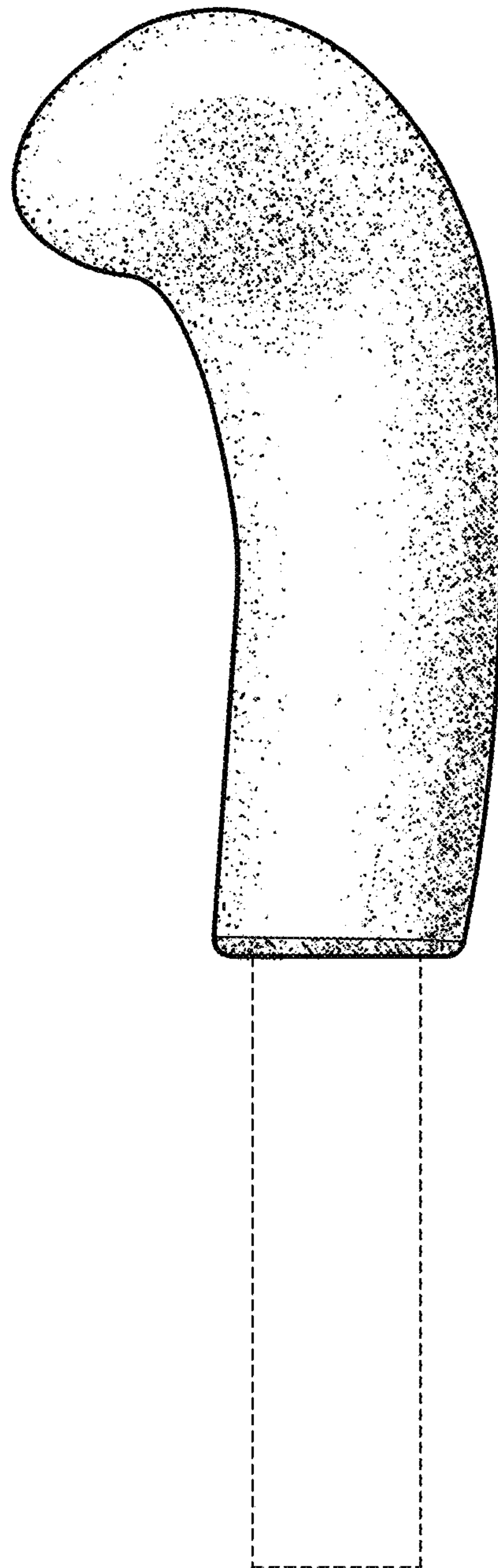


FIG. 2

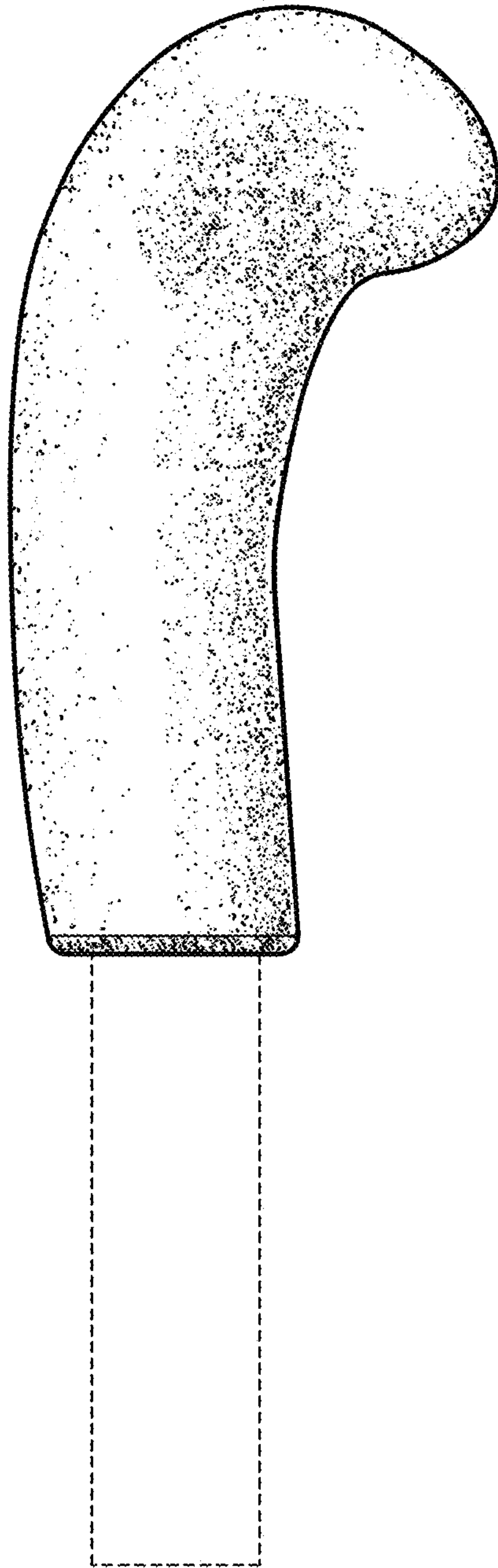


FIG. 3

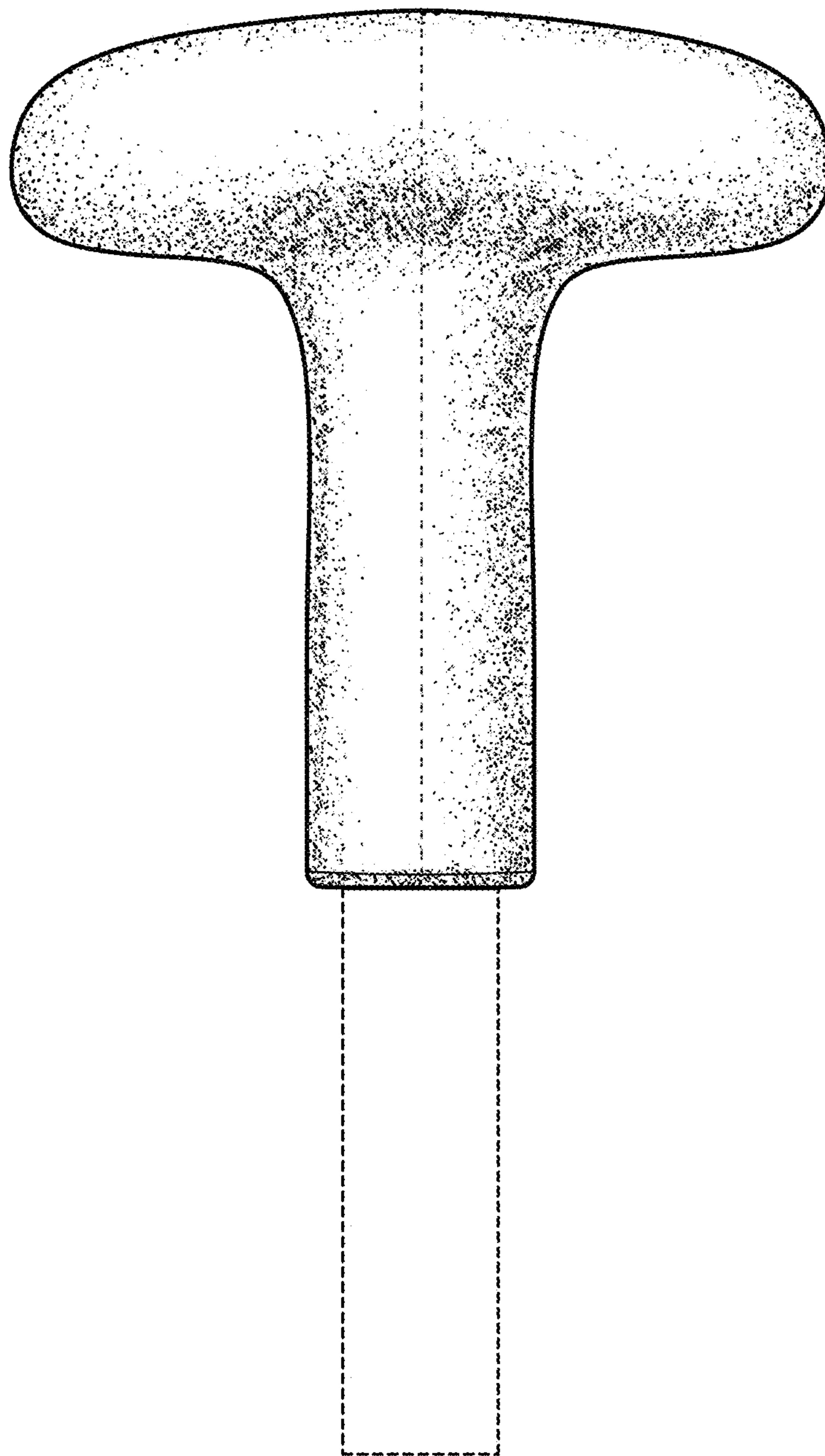


FIG. 4

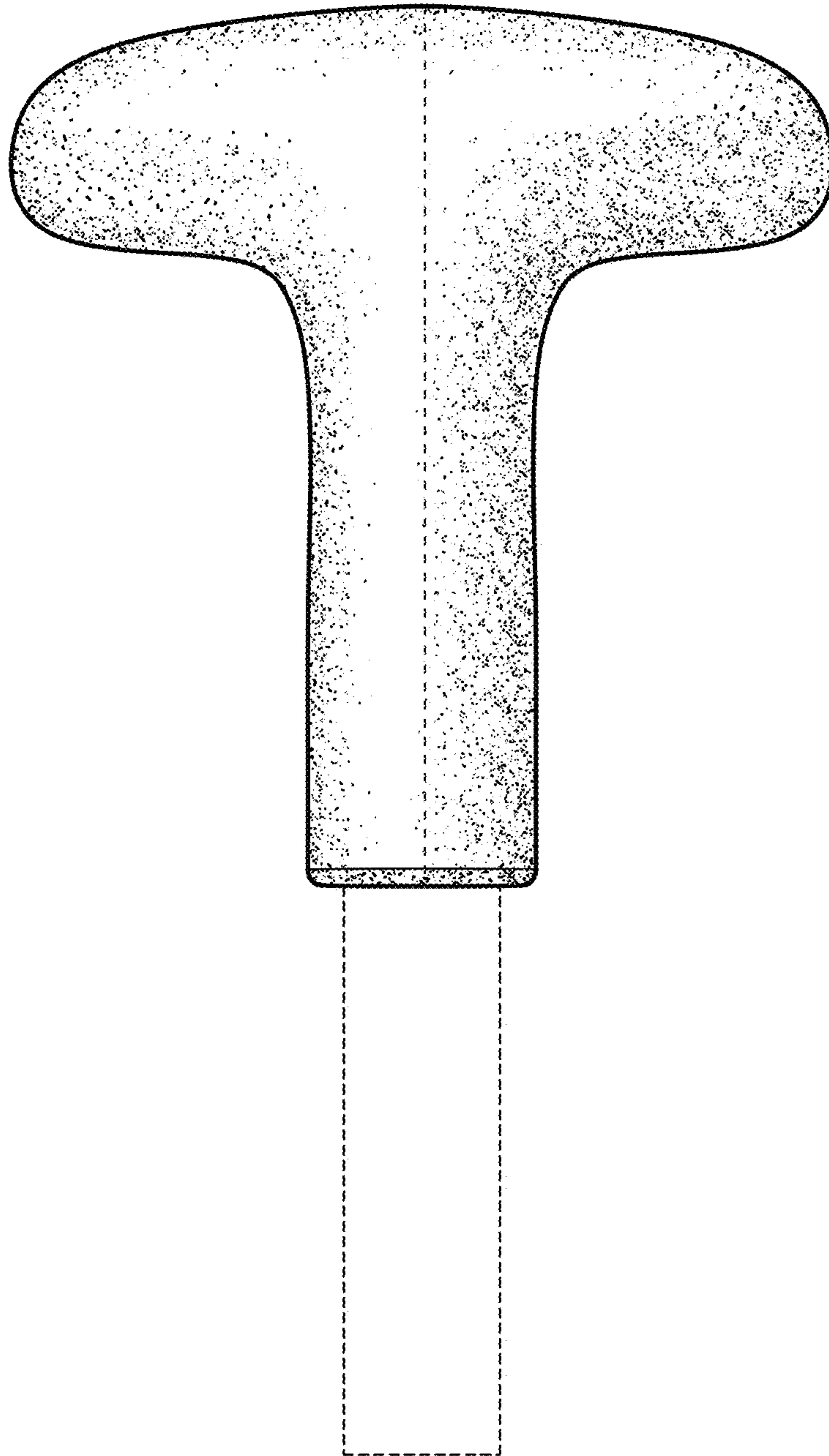


FIG. 5

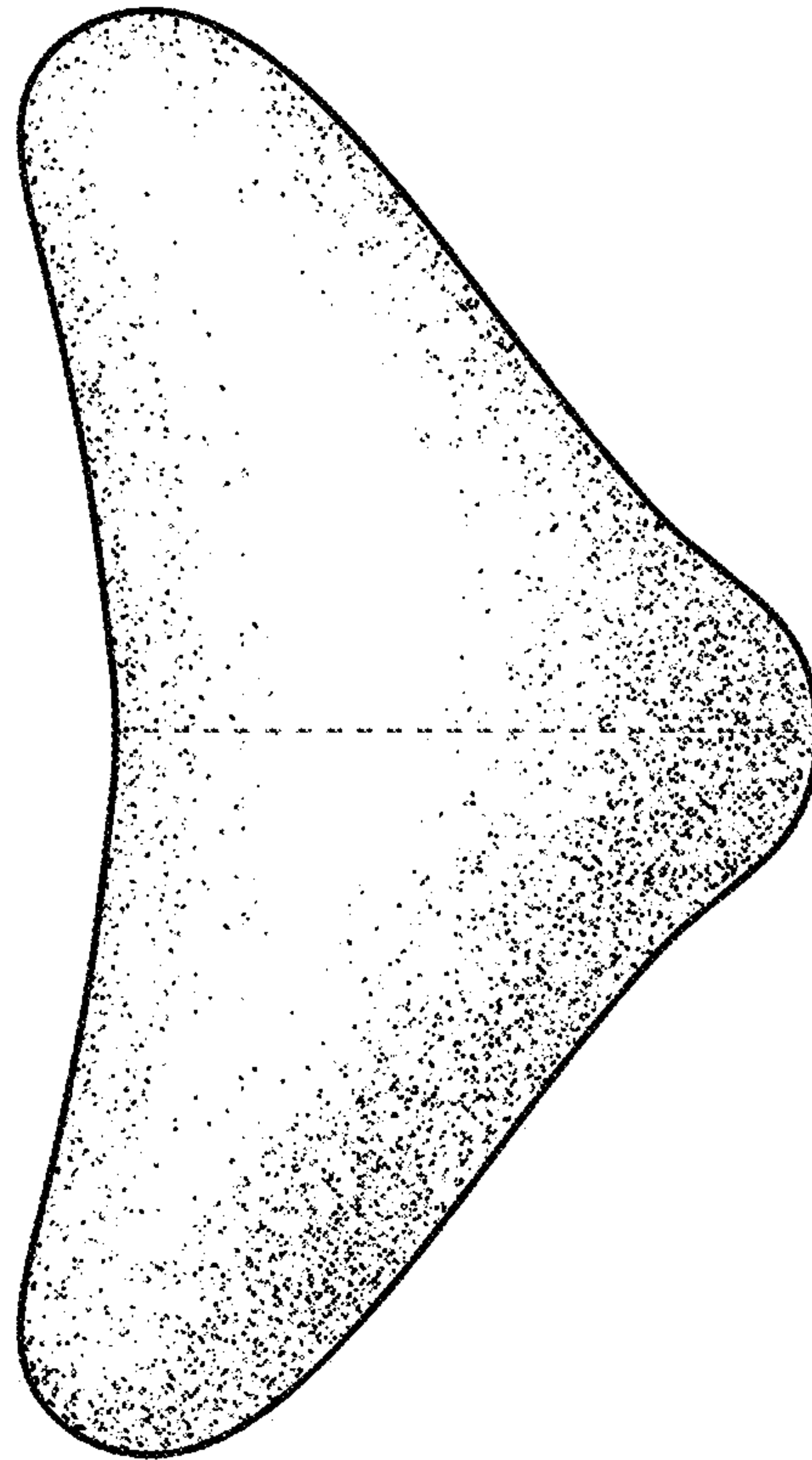


FIG. 6

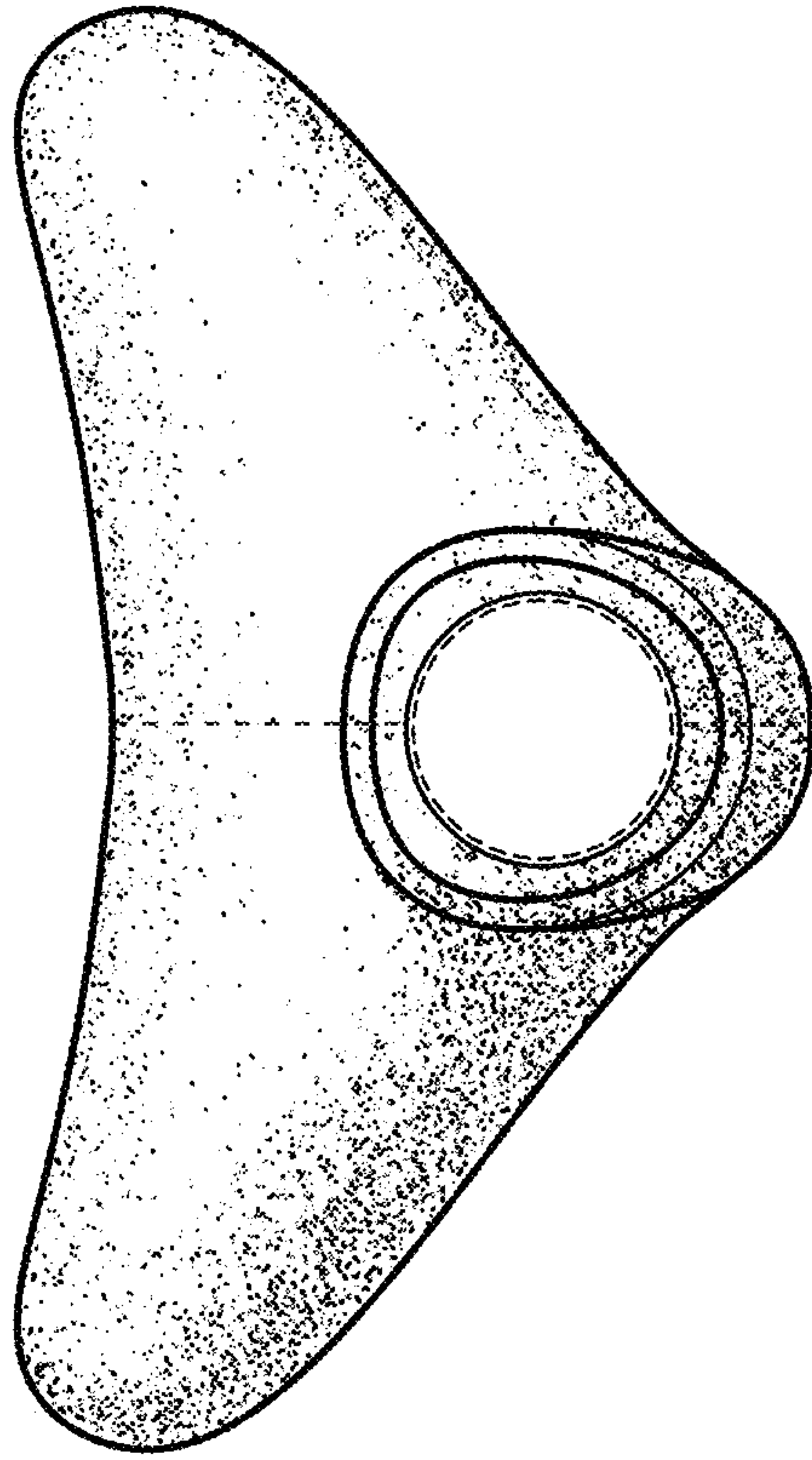


FIG. 7