



US00D696921S

(12) **United States Design Patent**
Sutter

(10) **Patent No.:** **US D696,921 S**
(45) **Date of Patent:** **** Jan. 7, 2014**

(54) **COMPRESSION TOOL**

(75) Inventor: **Robert W. Sutter**, DeKalb, IL (US)

(73) Assignee: **Ideal Industries, Inc.**, Sycamore, IL (US)

(**) Term: **14 Years**

(21) Appl. No.: **29/390,124**

(22) Filed: **Apr. 20, 2011**

(51) **LOC (10) Cl.** **08-05**

(52) **U.S. Cl.**
USPC **D8/105**

(58) **Field of Classification Search**
USPC D8/56, 105, 68, 61, 52, 51, 14, 107;
72/409.14, 402, 416; 29/751, 747, 753;
81/310, 313

See application file for complete search history.

(56) **References Cited**

U.S. PATENT DOCUMENTS

6,293,004	B1 *	9/2001	Holliday	29/751
6,591,487	B2 *	7/2003	Chang	29/751
6,594,888	B2 *	7/2003	Chang	29/751
6,708,396	B2 *	3/2004	Holliday	29/751
7,096,573	B2 *	8/2006	Holliday	29/751
7,188,507	B2 *	3/2007	Holliday et al.	72/409.14
D594,722	S *	6/2009	Hedrick et al.	D8/56
7,594,315	B2 *	9/2009	Montena	29/751
7,596,860	B2 *	10/2009	Sutter et al.	29/751

7,627,944	B2 *	12/2009	Holliday	29/751
7,703,196	B2 *	4/2010	Chawgo	29/751
7,761,979	B2 *	7/2010	Wang	29/758
7,797,827	B2 *	9/2010	Sutter	29/861
D625,980	S *	10/2010	Liu	D8/56
8,006,537	B2 *	8/2011	Liu	72/409.14
8,015,698	B2 *	9/2011	Sutter et al.	29/751
D653,921	S *	2/2012	Sutter	D8/56
D660,677	S *	5/2012	Sutter	D8/105
D670,147	S *	11/2012	Willard et al.	D8/56
2009/0004914	A1 *	1/2009	Sutter	439/578

* cited by examiner

Primary Examiner — Austin Murphy

(74) *Attorney, Agent, or Firm* — Greenberg Traurig, LLP

(57) **CLAIM**

What is claimed is the ornamental design for a compression tool, as shown and described.

DESCRIPTION

FIG. 1 is a perspective view of a compression tool showing the new design;

FIG. 2 is a left side elevational view thereof;

FIG. 3 is a right side elevational view thereof;

FIG. 4 is a top plan view thereof;

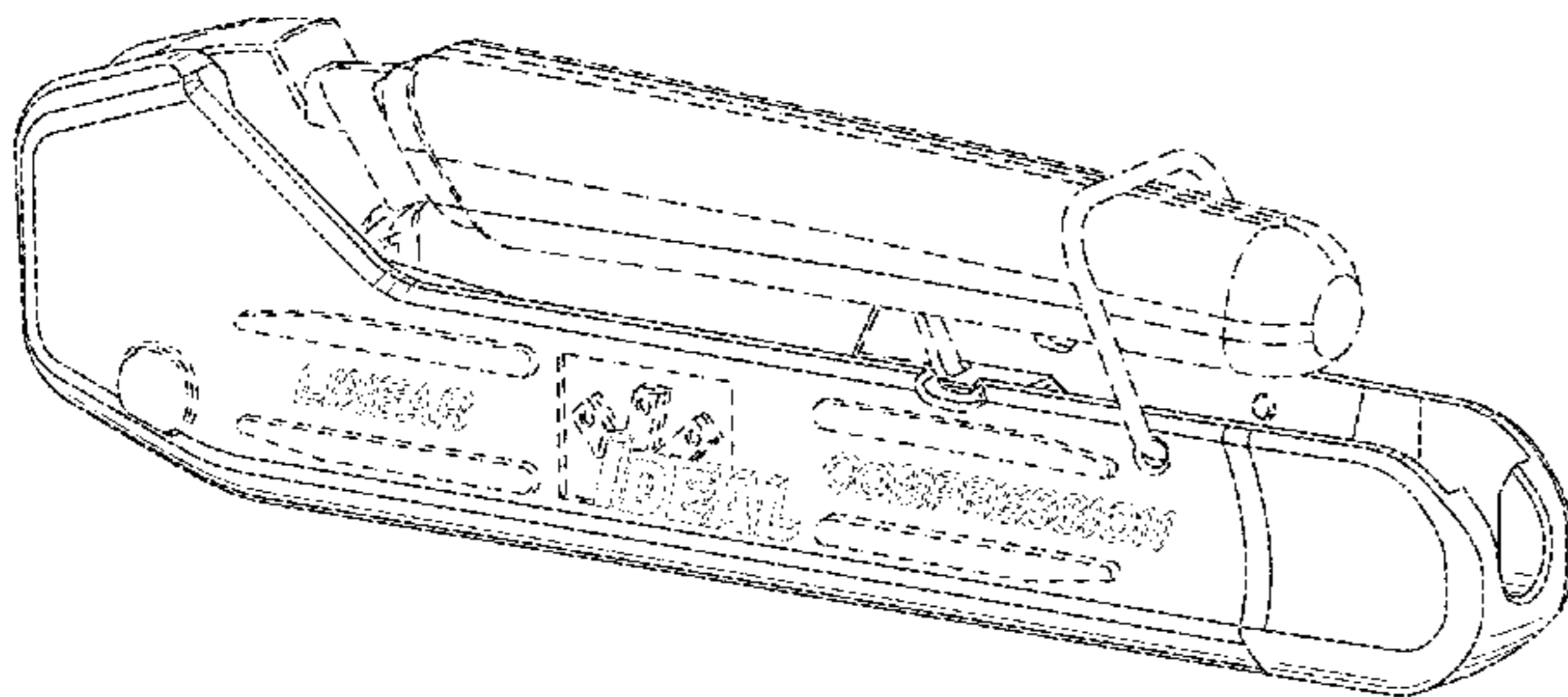
FIG. 5 is a bottom plan view thereof;

FIG. 6 is a rear side elevational view thereof; and,

FIG. 7 is a front side elevational view thereof.

The elements shown in dotted lines are provided for illustrative purposes only and form no part of the design claimed.

1 Claim, 4 Drawing Sheets



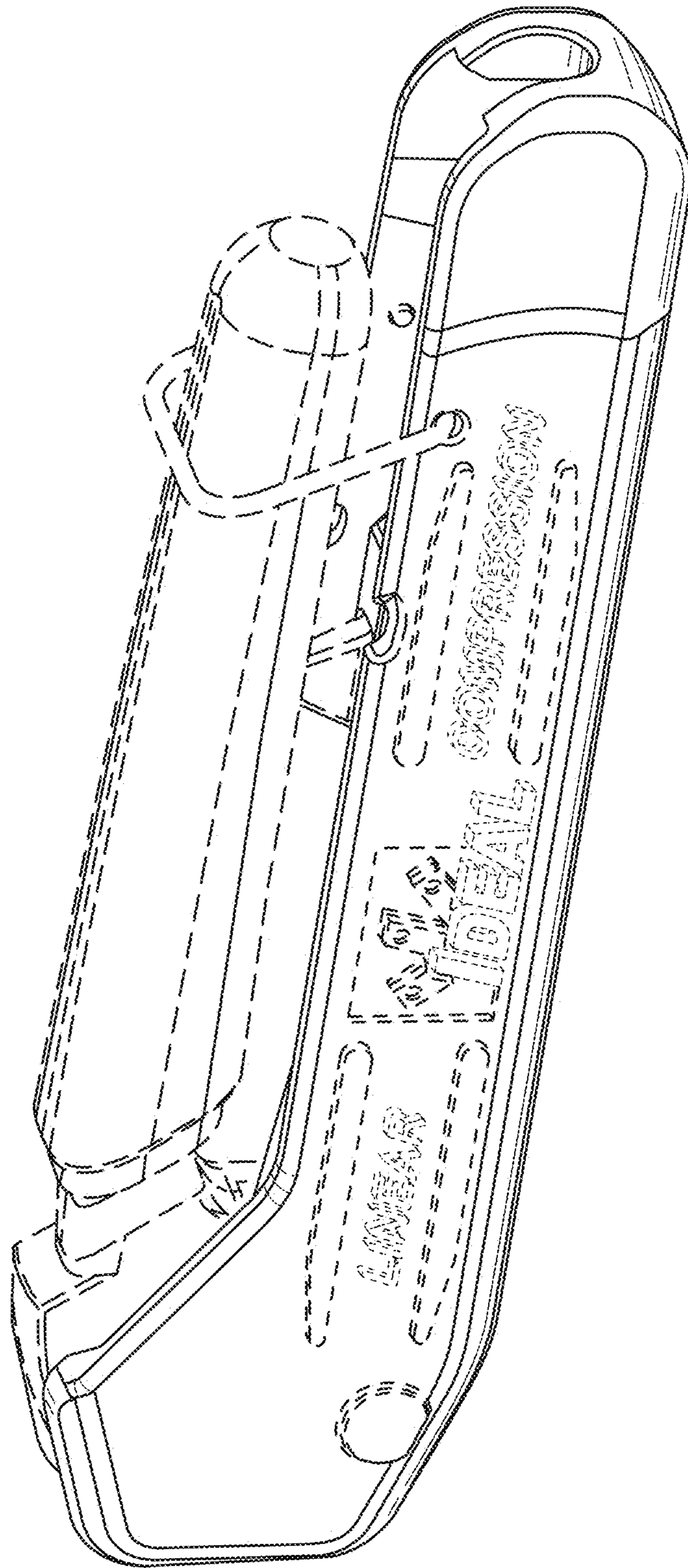


FIG. 1

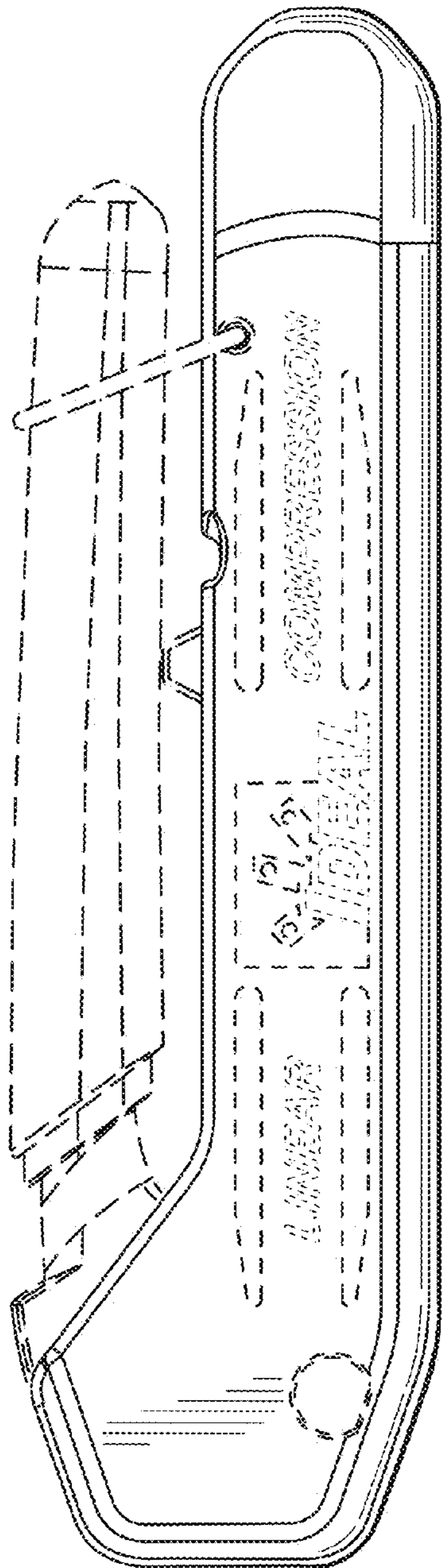


FIG. 2

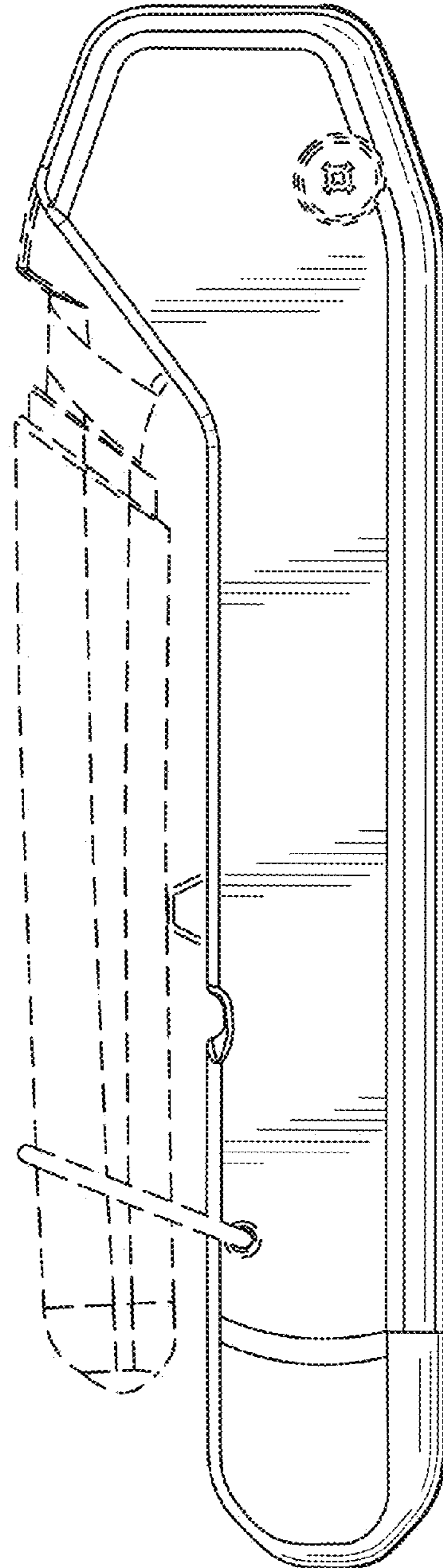


FIG. 3

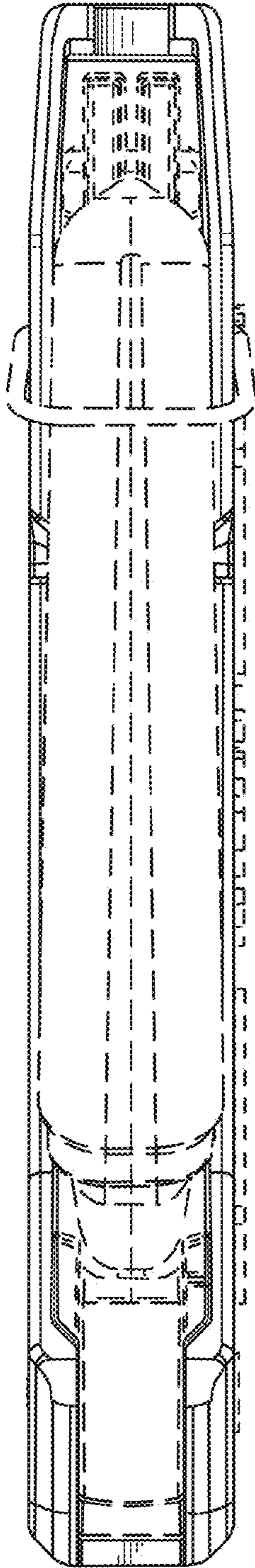


FIG. 4

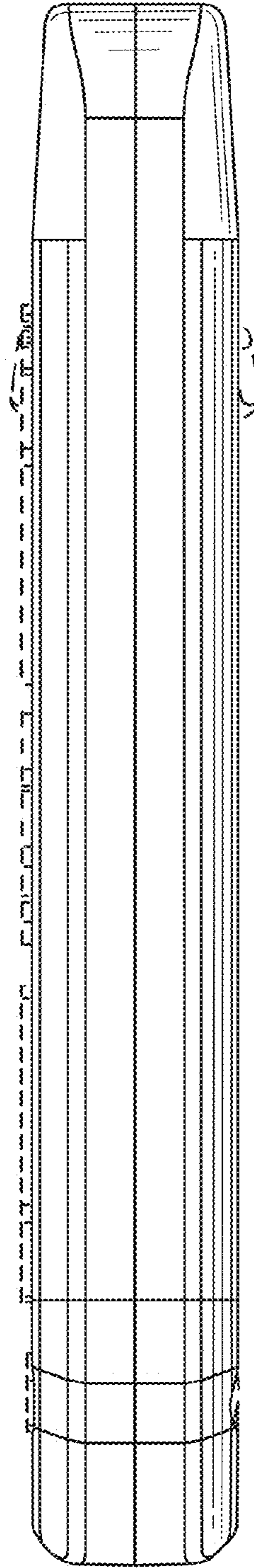


FIG. 5

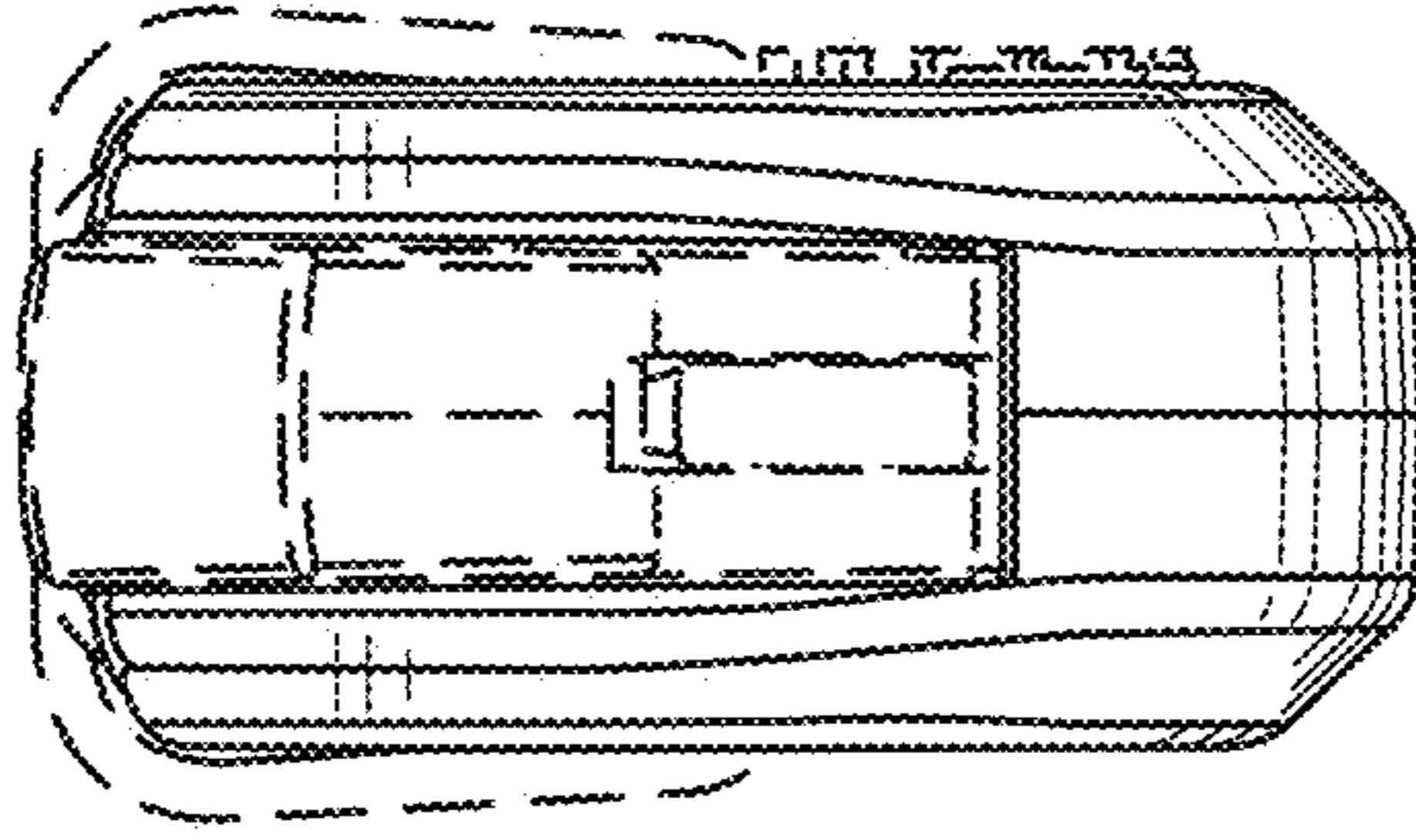


FIG. 7

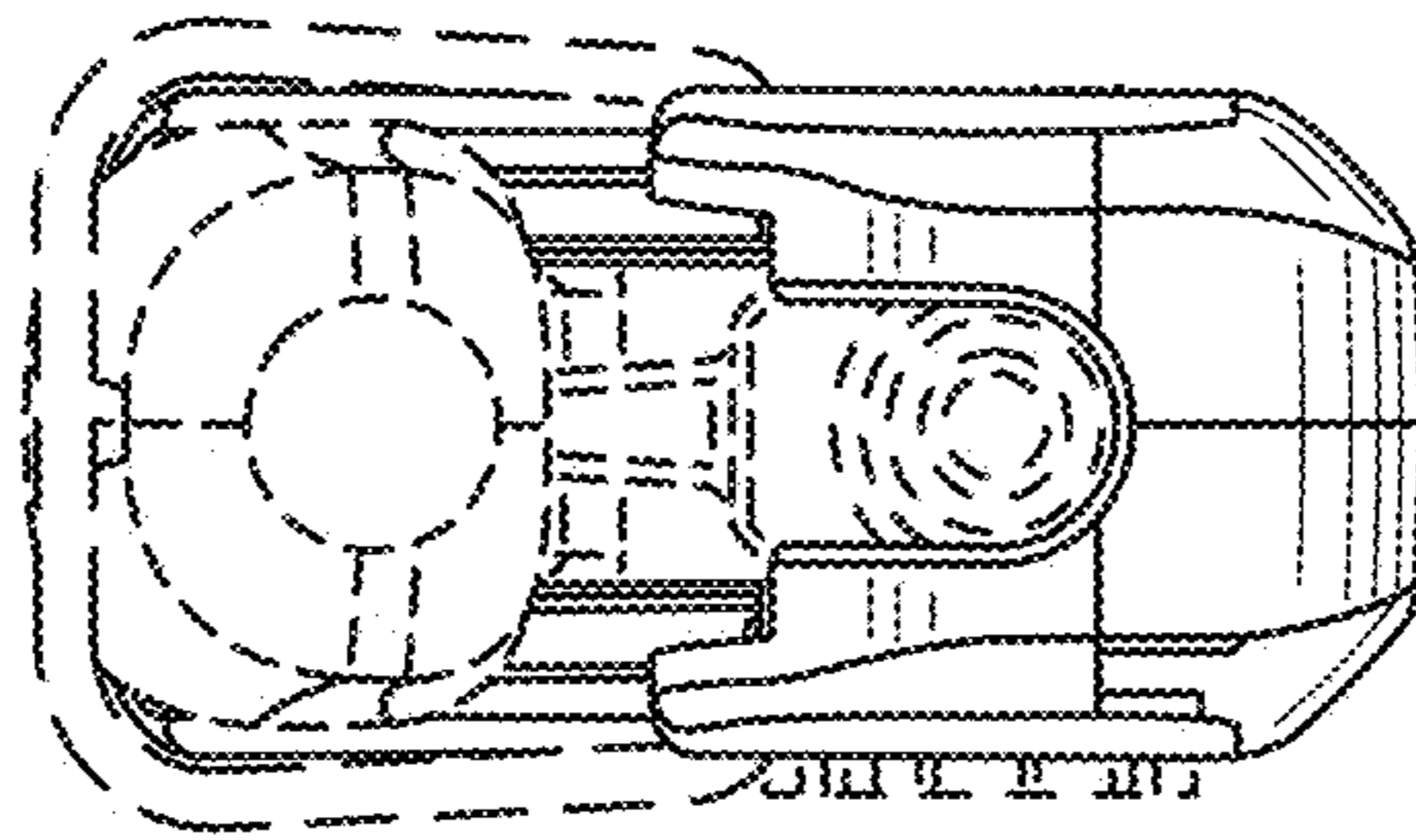


FIG. 6