



US00D696918S

(12) **United States Design Patent**  
**Rubin et al.**

(10) **Patent No.:** **US D696,918 S**  
(45) **Date of Patent:** **\*\* \*Jan. 7, 2014**

(54) **POCKET DRIVER TOOL**

(75) Inventors: **Bennett S. Rubin**, Pepper Pike, OH (US); **Richard C. Adamany**, Chagrin Falls, OH (US)

(73) Assignee: **InterDesign, Inc.**, Solon, OH (US)

(\*) Notice: This patent is subject to a terminal disclaimer.

(\*\*) Term: **14 Years**

(21) Appl. No.: **29/427,293**

(22) Filed: **Jul. 16, 2012**

(51) **LOC (10) Cl.** ..... **08-04**

(52) **U.S. Cl.**  
USPC ..... **D8/85; D8/87**

(58) **Field of Classification Search**  
USPC ..... D3/210, 215, 274, 294, 905; D8/82-87, D8/98-99, 105, 107; 7/165, 167, 169; 81/177.1-177.7, 436, 438, 489; 362/120

See application file for complete search history.

(56) **References Cited**

**U.S. PATENT DOCUMENTS**

4,283,757	A	8/1981	Nalbandian et al.	
5,515,249	A	5/1996	Shiao	
5,669,492	A *	9/1997	Chao	206/234
D385,172	S	10/1997	Bramsiepe et al.	
5,704,260	A	1/1998	Huang	
5,772,308	A	6/1998	Lin	
5,782,150	A	7/1998	Huang	
D400,775	S	11/1998	Hus	
5,887,306	A	3/1999	Huang	
5,896,606	A	4/1999	Huang	
5,967,641	A	10/1999	Sung et al.	
D425,228	S *	5/2000	Kibler	D26/46

(Continued)

**OTHER PUBLICATIONS**

“Swiss+Tech” XDrive™ Pocket Driver 6-in-1. Downloaded Jun. 10, 2013 from <http://www.kmart.com/34-swiss-tech-34-xdrive-8482-pocket-driver-6-in-1/p-082W005219> . . . \*

(Continued)

*Primary Examiner* — Philip S Hyder

*Assistant Examiner* — Roselynn Cody

(74) *Attorney, Agent, or Firm* — D. Peter Hochberg; Sean F. Mellino

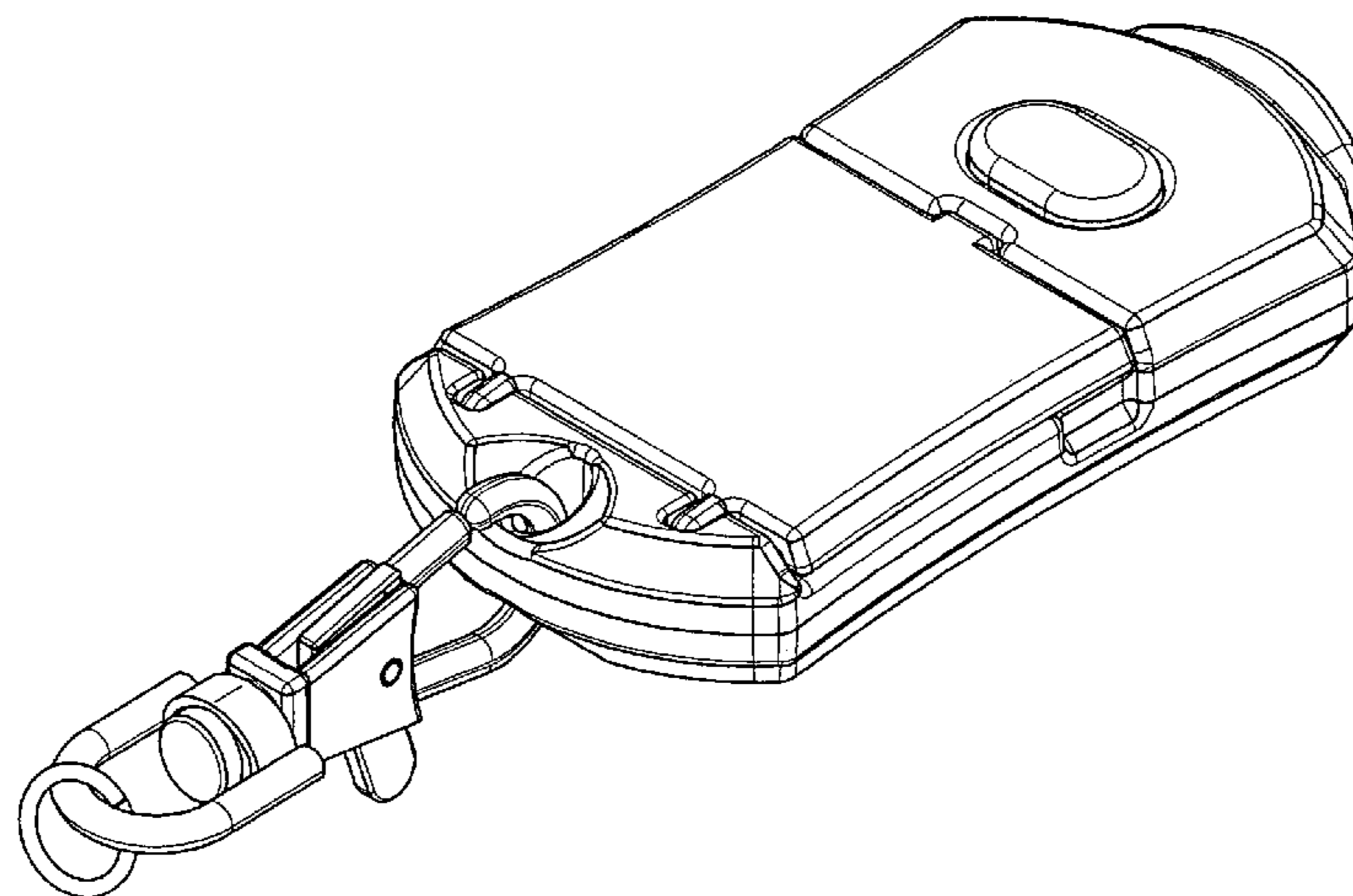
(57) **CLAIM**

The ornamental design for a pocket driver tool, as shown and described.

**DESCRIPTION**

FIG. 1 is a top and rear perspective view of the pocket driver tool;  
FIG. 2 is a bottom and front perspective view thereof;  
FIG. 3 is a bottom plan view thereof;  
FIG. 4 is a top plan view thereof;  
FIG. 5 is a side view of the tool with the top in the up position;  
FIG. 6 is an opposite side view of the tool with the top in the down position;  
FIG. 7 is a rear view of the pocket driver tool;  
FIG. 8 is front view thereof;  
FIG. 9 is a top and front perspective view of the pocket driver tool showing a component storage compartment cover in an open position, with the drivers in their storage stalls;  
FIG. 10 is a top and front perspective view thereof showing the storage compartment cover in an open position, with the drivers removed from their stalls;  
FIG. 11 is a top plan view thereof showing the component storage compartment cover in an open position, with the drivers in their storage stalls;  
FIG. 12 is a side view thereof; and,  
FIG. 13 is front view thereof.

**1 Claim, 7 Drawing Sheets**



(56)

**References Cited**

U.S. PATENT DOCUMENTS

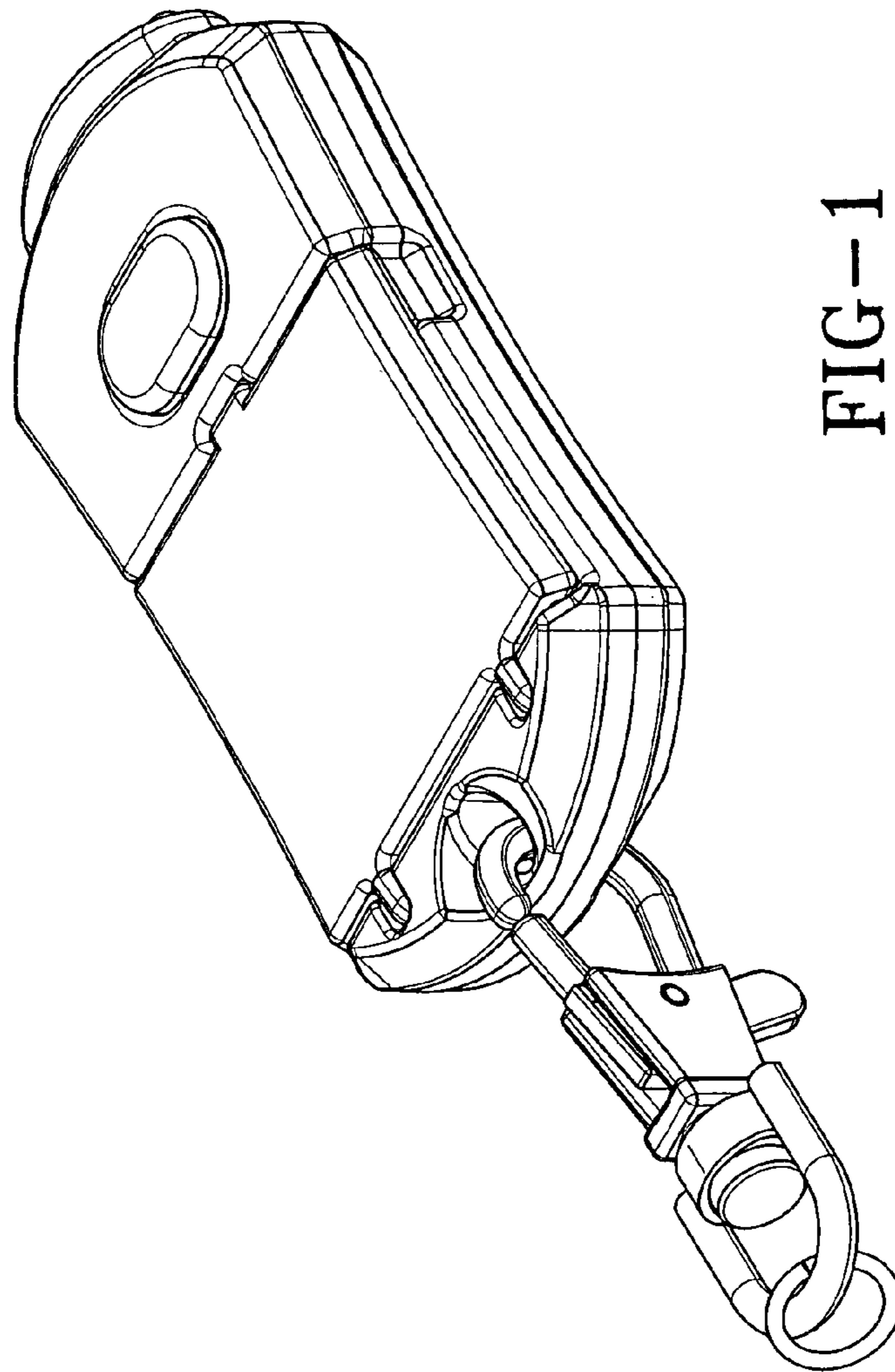
6,216,858 B1 4/2001 Chiu  
6,431,034 B1 8/2002 Chen  
6,640,675 B1 11/2003 Chuang  
D509,656 S \* 9/2005 Pangerc et al. .... D3/294  
7,032,483 B2 4/2006 Liu  
D523,743 S \* 6/2006 Solowiejko et al. .... D9/417  
D580,655 S 11/2008 Kao  
D592,930 S 5/2009 Cai  
D648,522 S \* 11/2011 Gorman ..... D3/215  
2007/0251355 A1 11/2007 Kao

2008/0041746 A1 2/2008 Hsiao  
2008/0083304 A1 4/2008 Finn  
2011/0226098 A1 9/2011 Zhang

OTHER PUBLICATIONS

Various Images of Pocket Driver Tool snagged Jun. 10, 2013 from  
[https://www.google.com/  
search?q=Swiss+Tech+pocket+driver+tool&tbm+32+isch&tbo=u  
&source=univ&sa=X&ei=UFi2UYXuFOnI0gGvp4DgDA  
&ved=0CFUQsAQ&biw=1680&bih=802.\\*](https://www.google.com/search?q=Swiss+Tech+pocket+driver+tool&tbm+32+isch&tbo=u&source=univ&sa=X&ei=UFi2UYXuFOnI0gGvp4DgDA&ved=0CFUQsAQ&biw=1680&bih=802.*)

\* cited by examiner



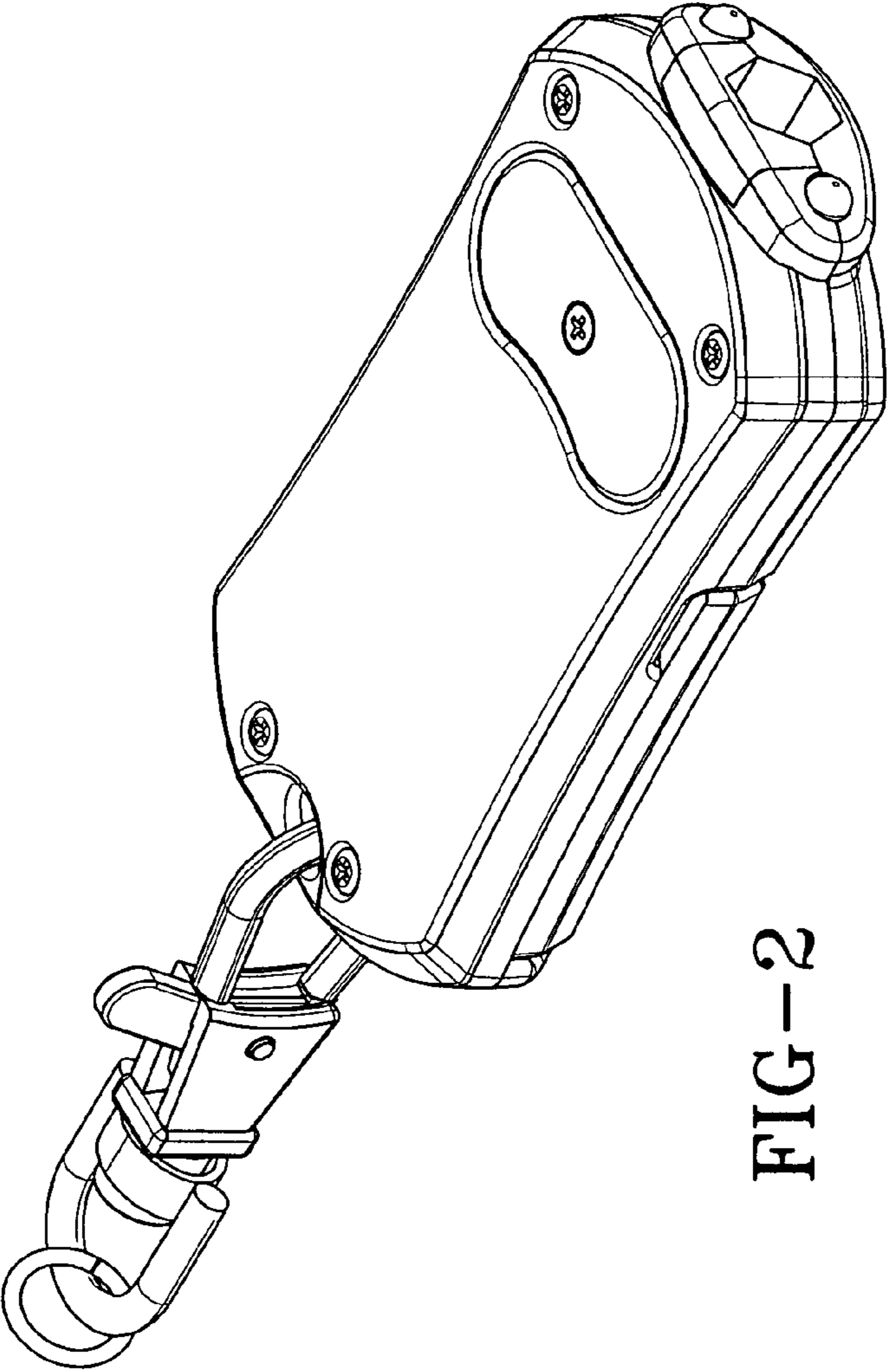


FIG-2

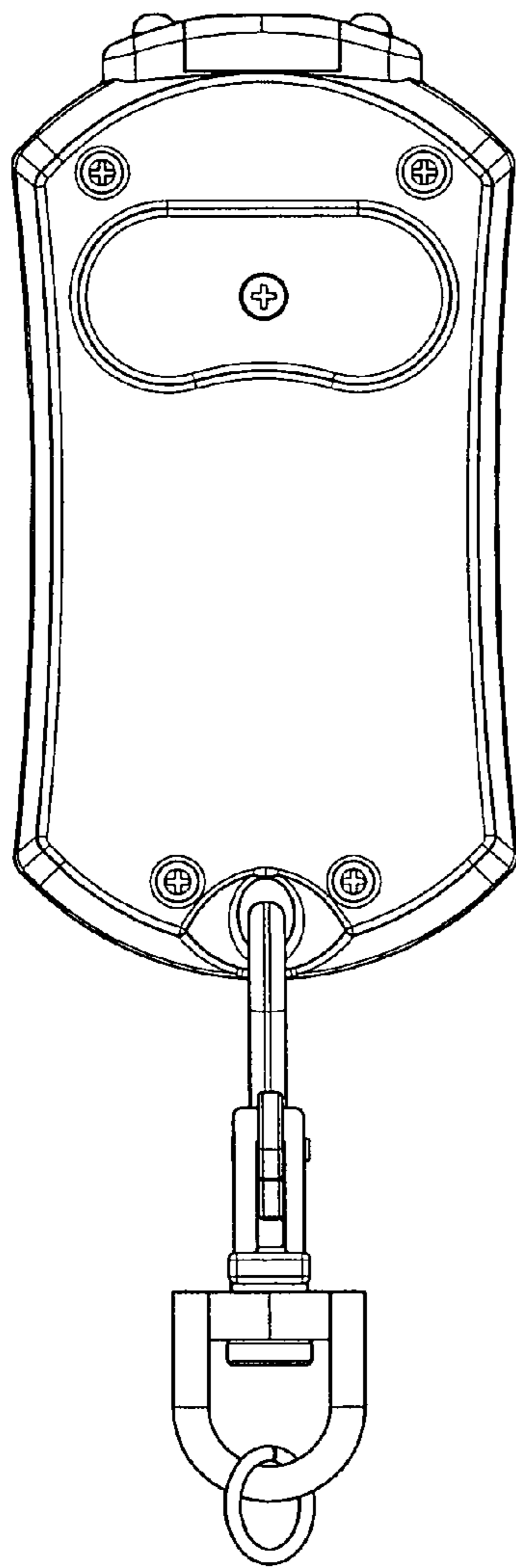


FIG-3

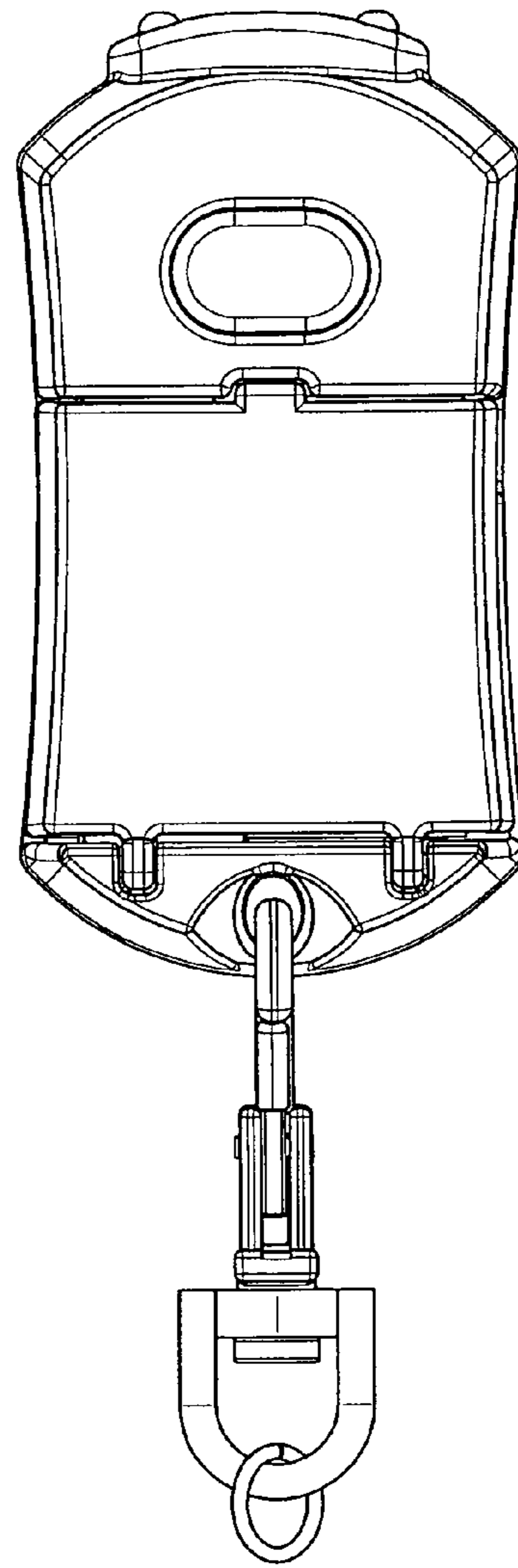


FIG-4

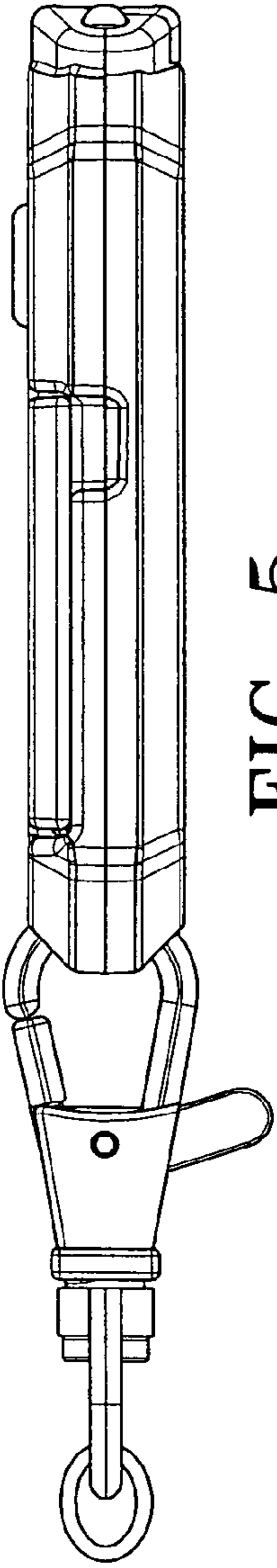


FIG-5

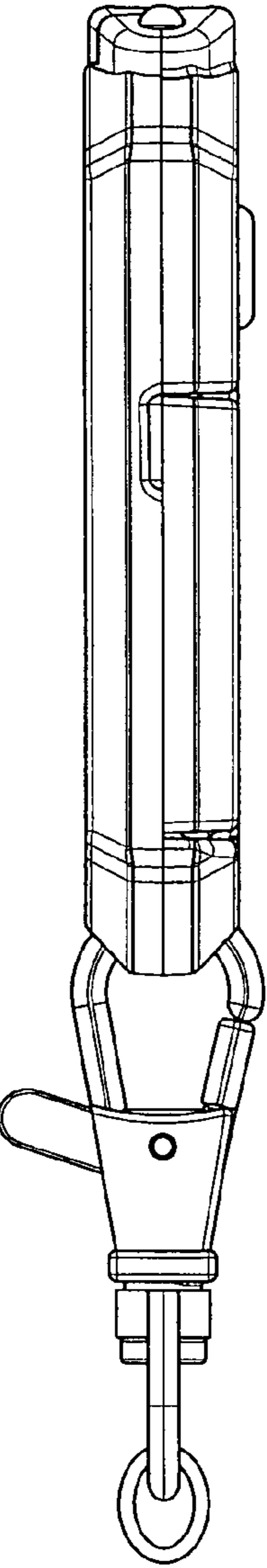


FIG-6

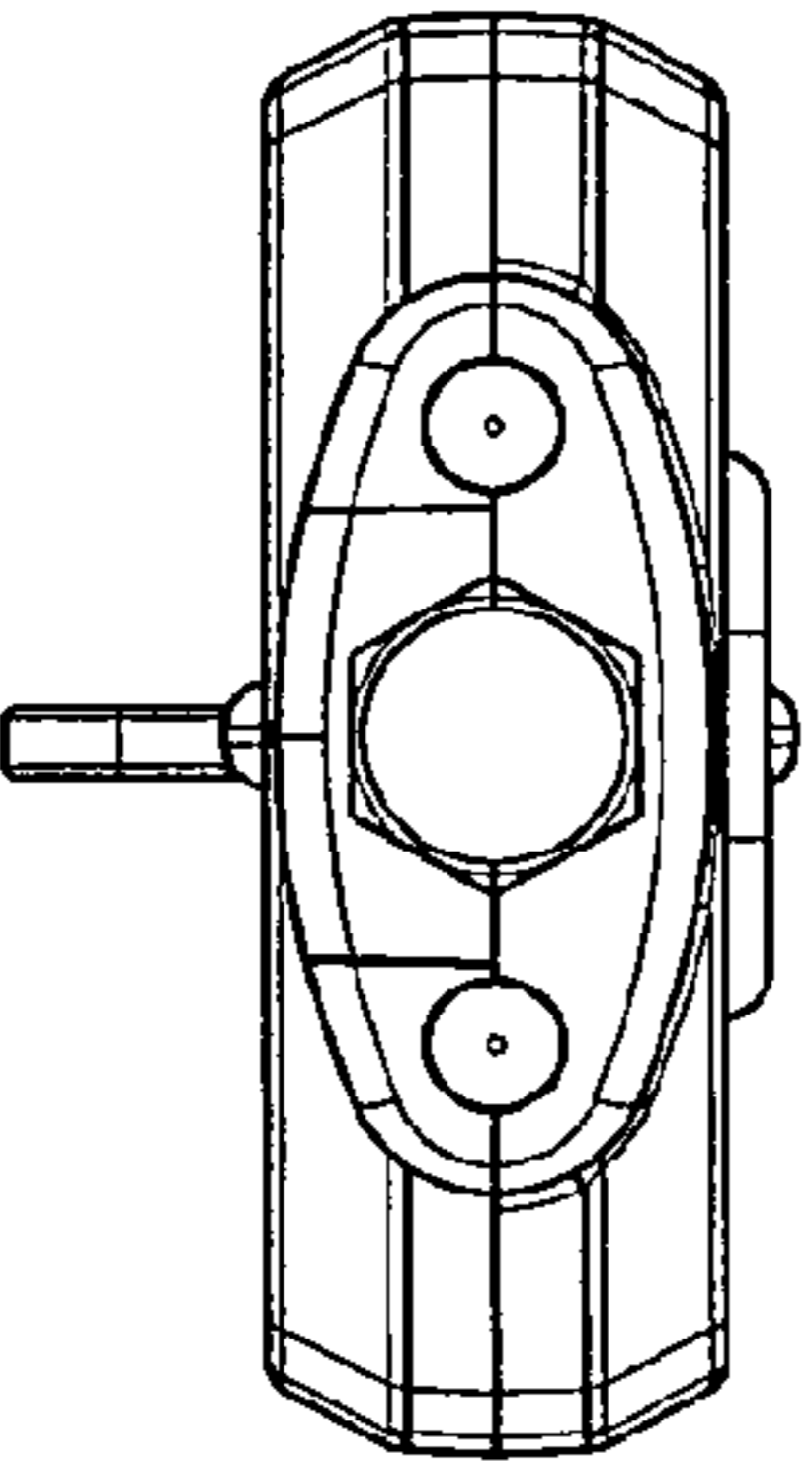


FIG-8

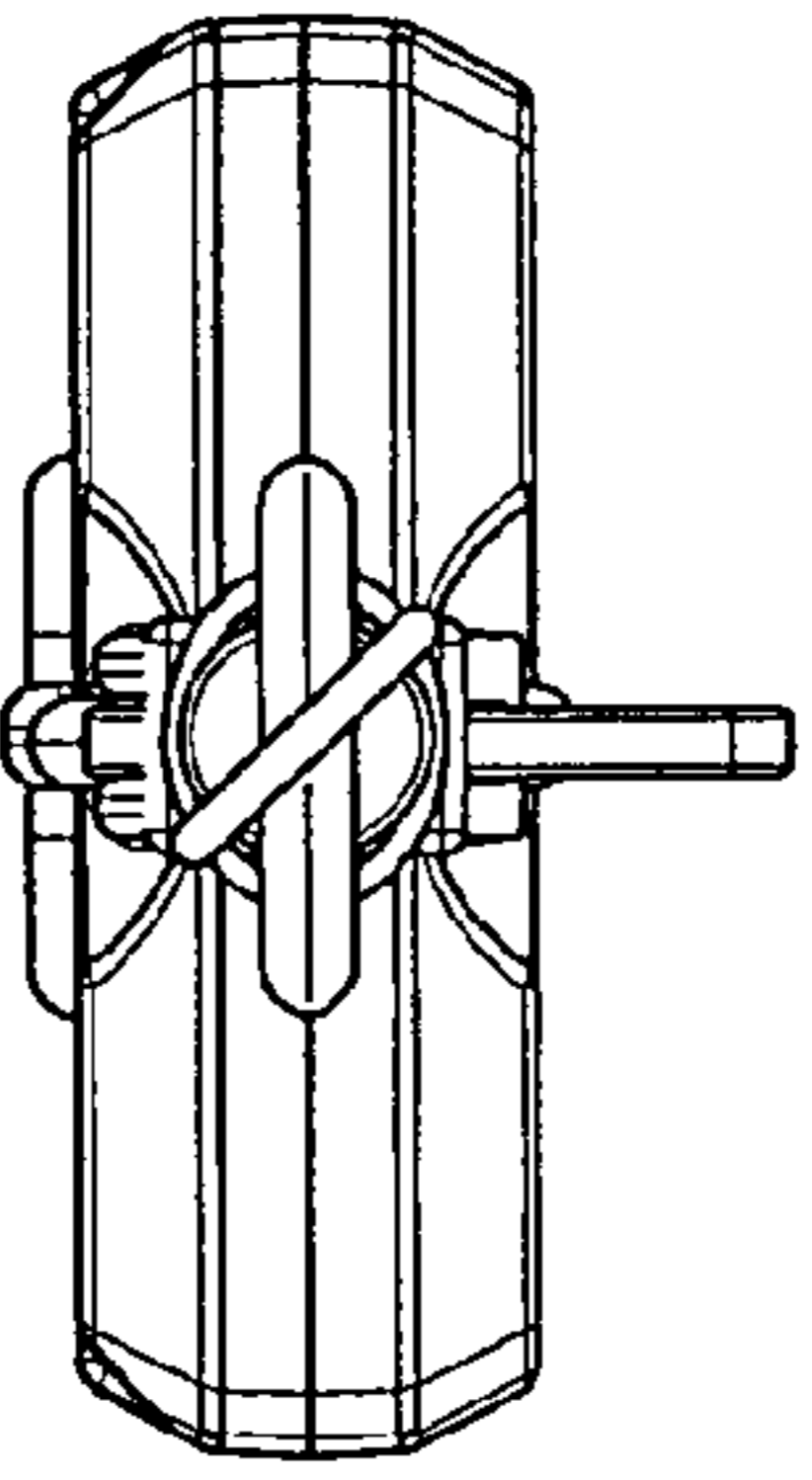


FIG-7

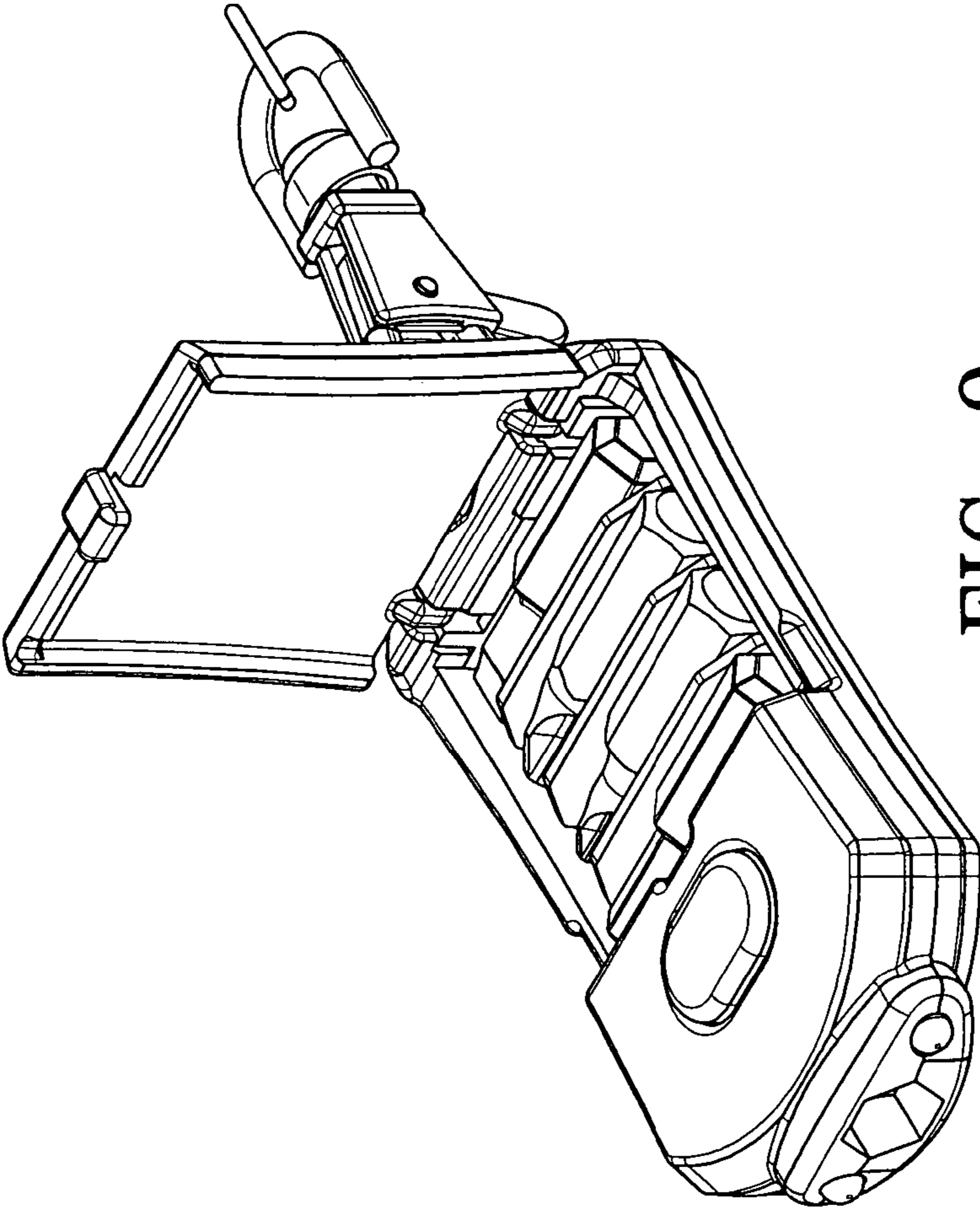
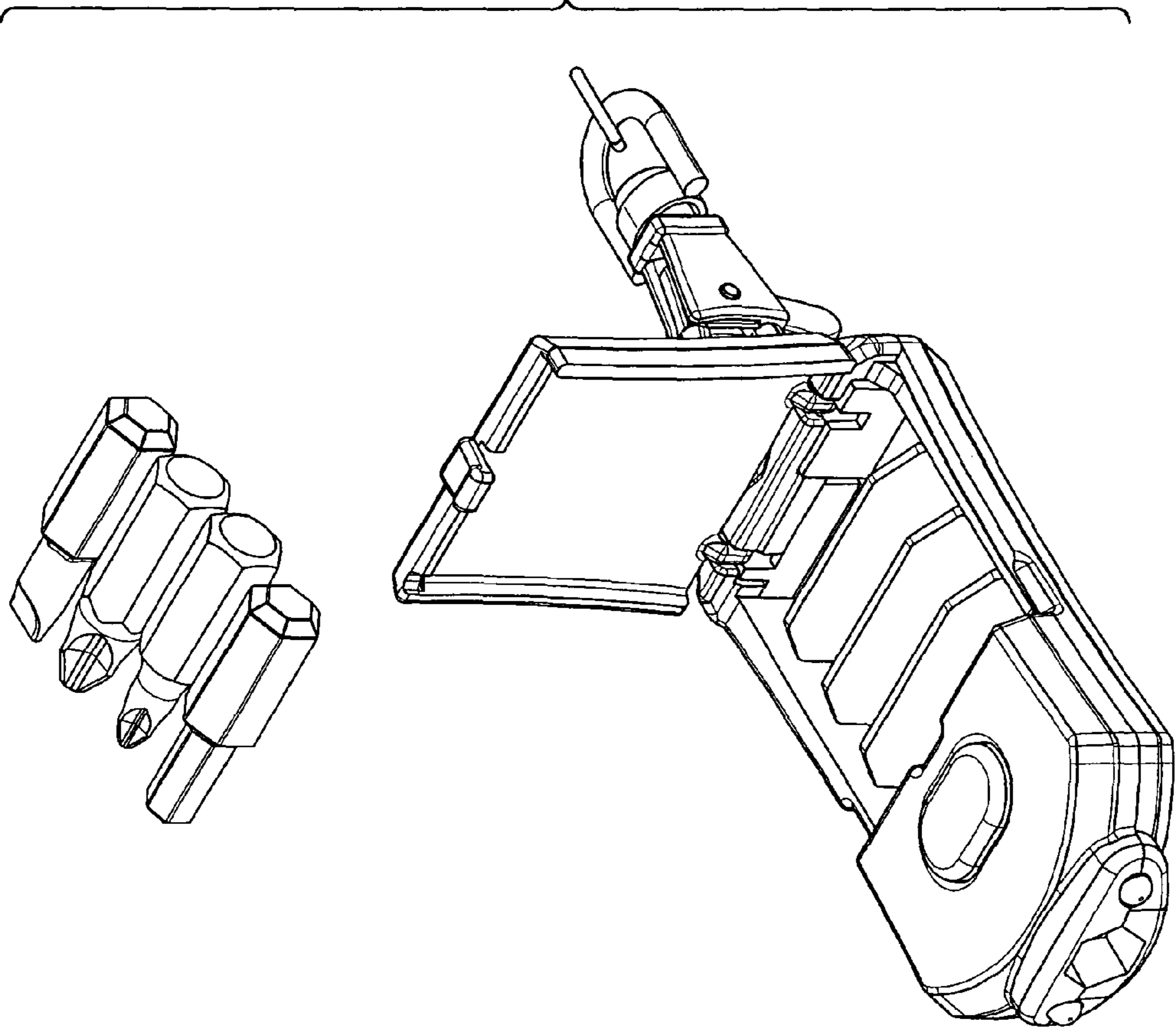


FIG-9

FIG-10





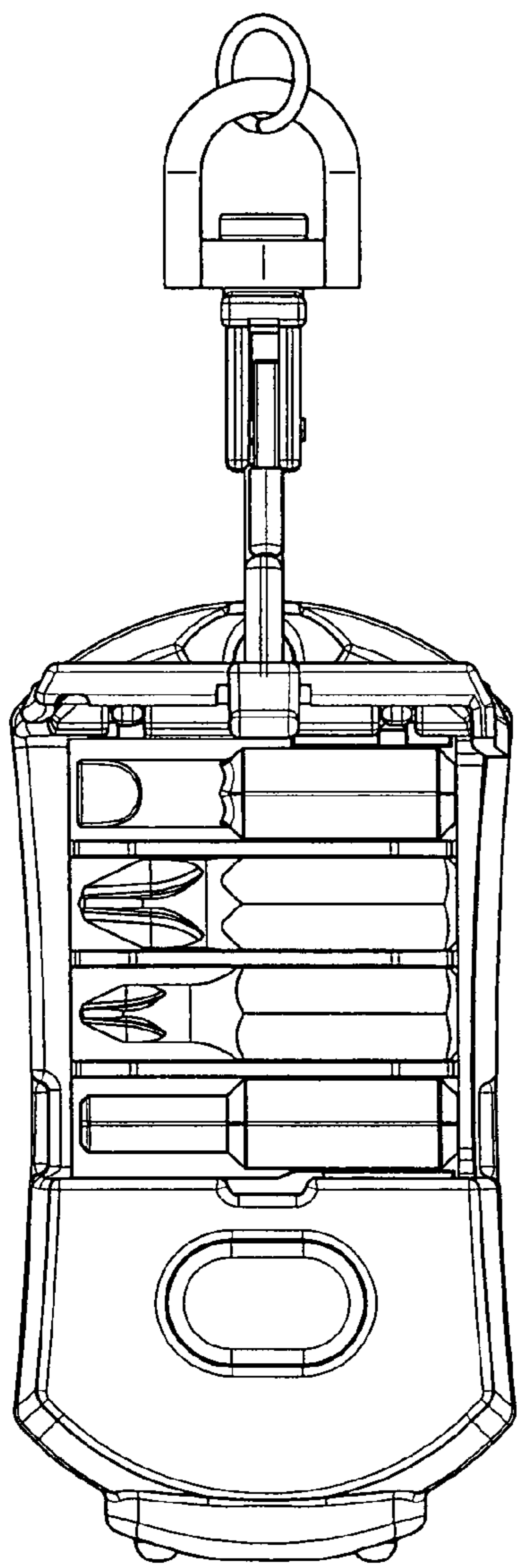


FIG-11

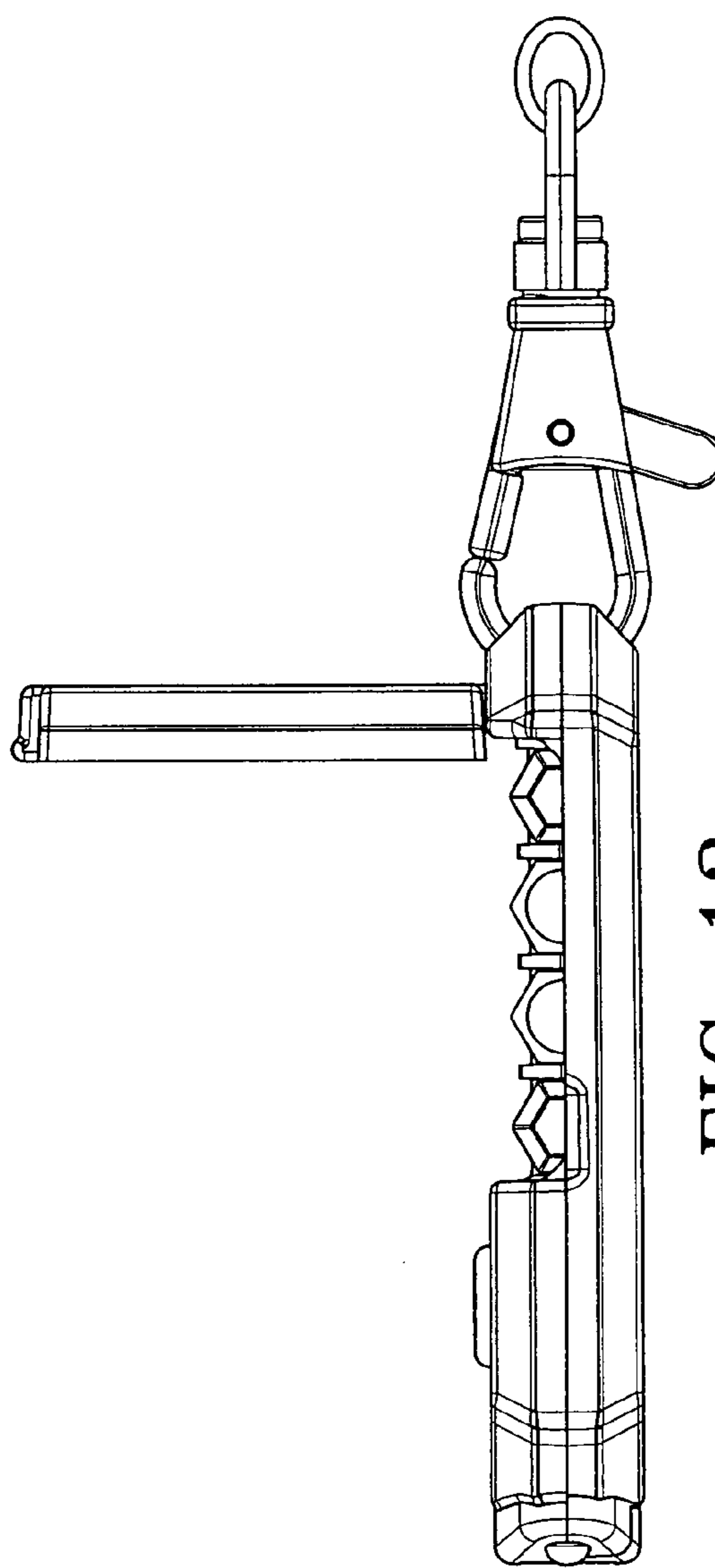


FIG-12

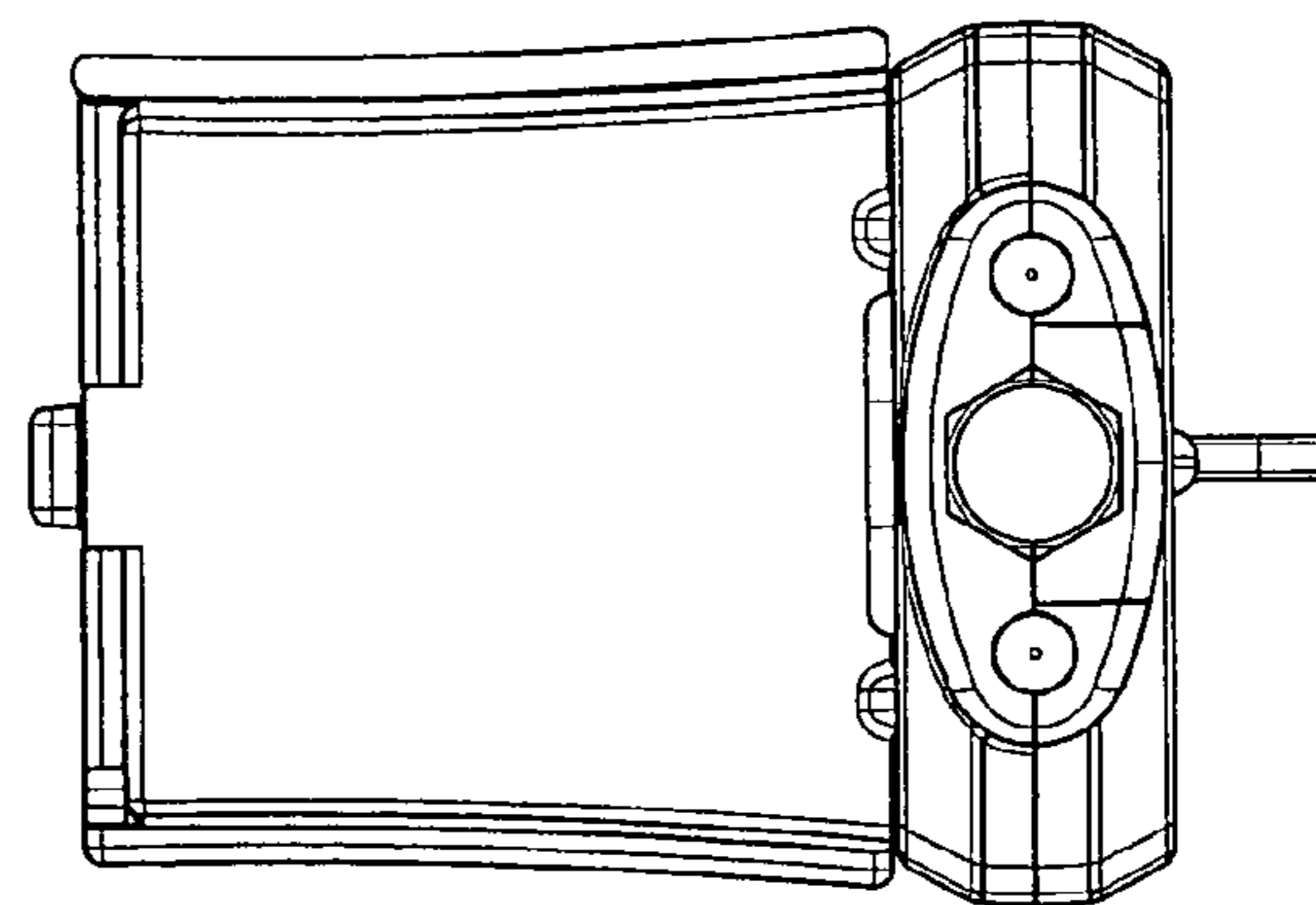


FIG-13