

US00D696915S

(12) **United States Design Patent**  
**Lee**

(10) **Patent No.:** **US D696,915 S**  
(45) **Date of Patent:** **\*\* Jan. 7, 2014**

(54) **TUBE CUTTER**  
(76) Inventor: **Tai-Hung Lee**, Taichung (TW)  
(\*\*) Term: **14 Years**  
(21) Appl. No.: **29/415,933**  
(22) Filed: **Mar. 15, 2012**  
(51) **LOC (10) Cl.** ..... **08-05**  
(52) **U.S. Cl.**  
USPC ..... **D8/60**  
(58) **Field of Classification Search**  
USPC ..... D8/60; 30/95, 96, 101, 102, 91.2  
See application file for complete search history.

3,171,199 A \* 3/1965 Meese ..... 30/94  
3,403,442 A \* 10/1968 Reese et al. .... 30/164.95  
5,345,682 A \* 9/1994 Dubinsky et al. .... 30/102  
D399,399 S \* 10/1998 Huang ..... D8/60  
7,934,317 B2 \* 5/2011 Chiu ..... 30/102  
D675,499 S \* 2/2013 Faucher ..... D8/60

\* cited by examiner

*Primary Examiner* — Sheryl Lane

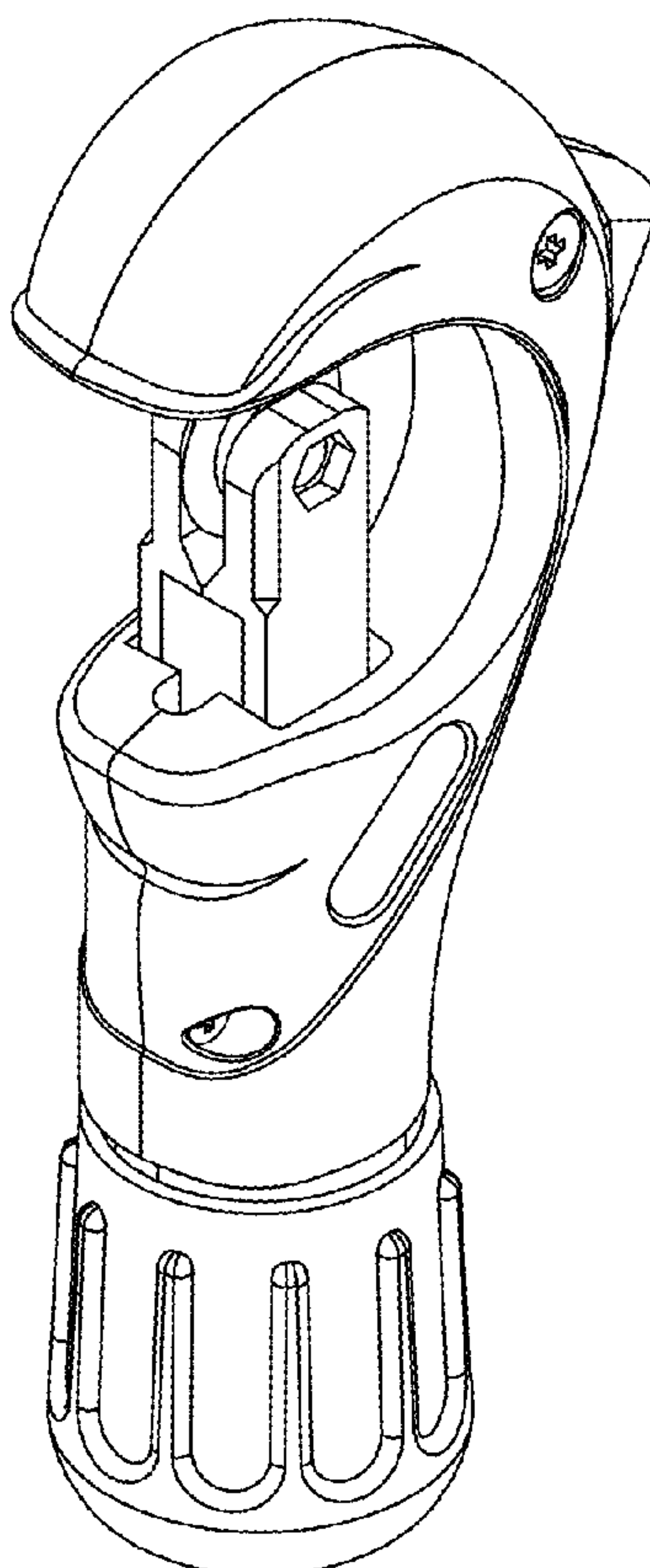
(57) **CLAIM**  
The ornamental design for a tube cutter, as shown and described.

**DESCRIPTION**

FIG. 1 is a perspective view showing my design.  
FIG. 2 is a front view.  
FIG. 3 is a back view.  
FIG. 4 is a left side view.  
FIG. 5 is a right side view.  
FIG. 6 is a top view; and,  
FIG. 7 is a bottom view.

**1 Claim, 7 Drawing Sheets**

(56) **References Cited**  
U.S. PATENT DOCUMENTS  
D158,536 S \* 5/1950 Wolcott ..... D8/60  
D161,438 S \* 1/1951 Franck ..... D8/60  
2,787,054 A \* 4/1957 Franck ..... 30/102  
D191,011 S \* 8/1961 Noveske ..... D8/60  
3,022,575 A \* 2/1962 Wright ..... 30/102  
D192,447 S \* 3/1962 Ayer ..... D8/60



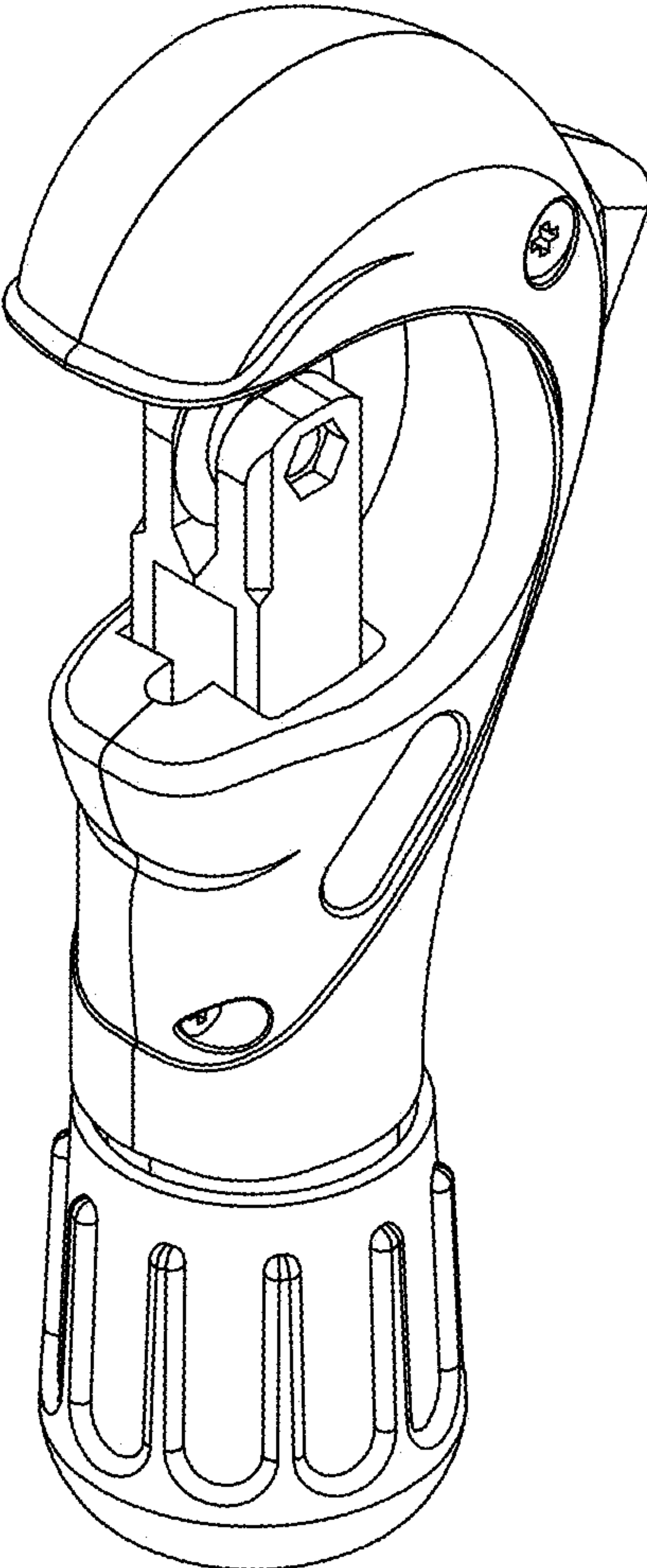


FIG. 1

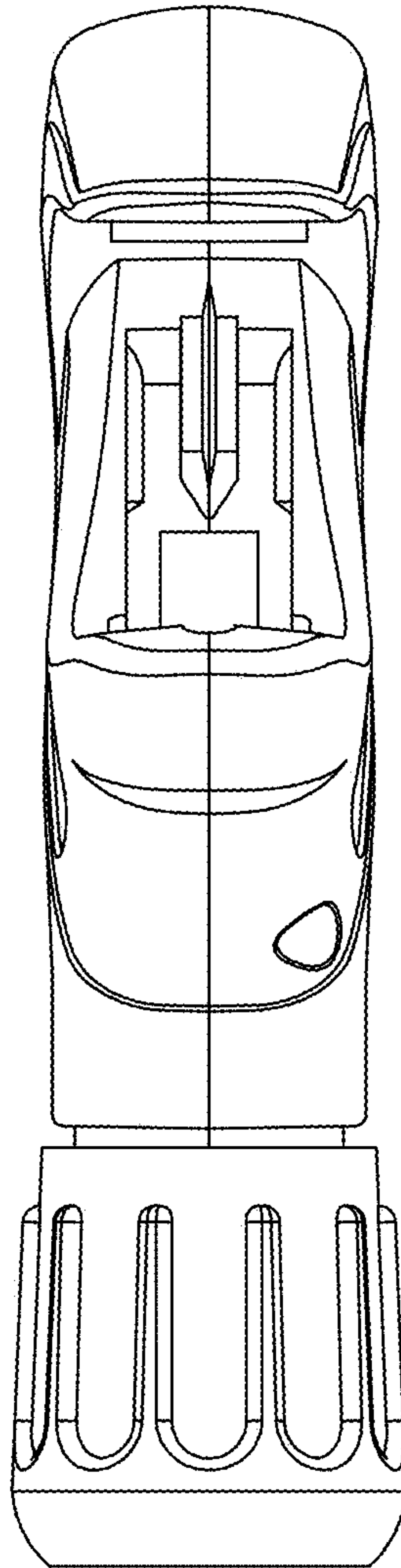


FIG. 2

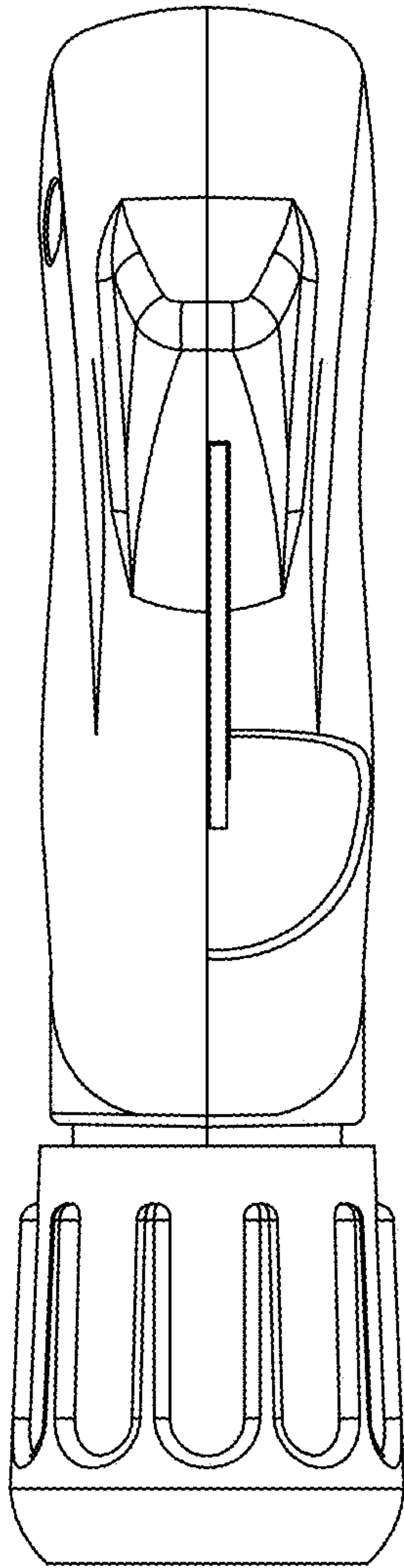


FIG. 3

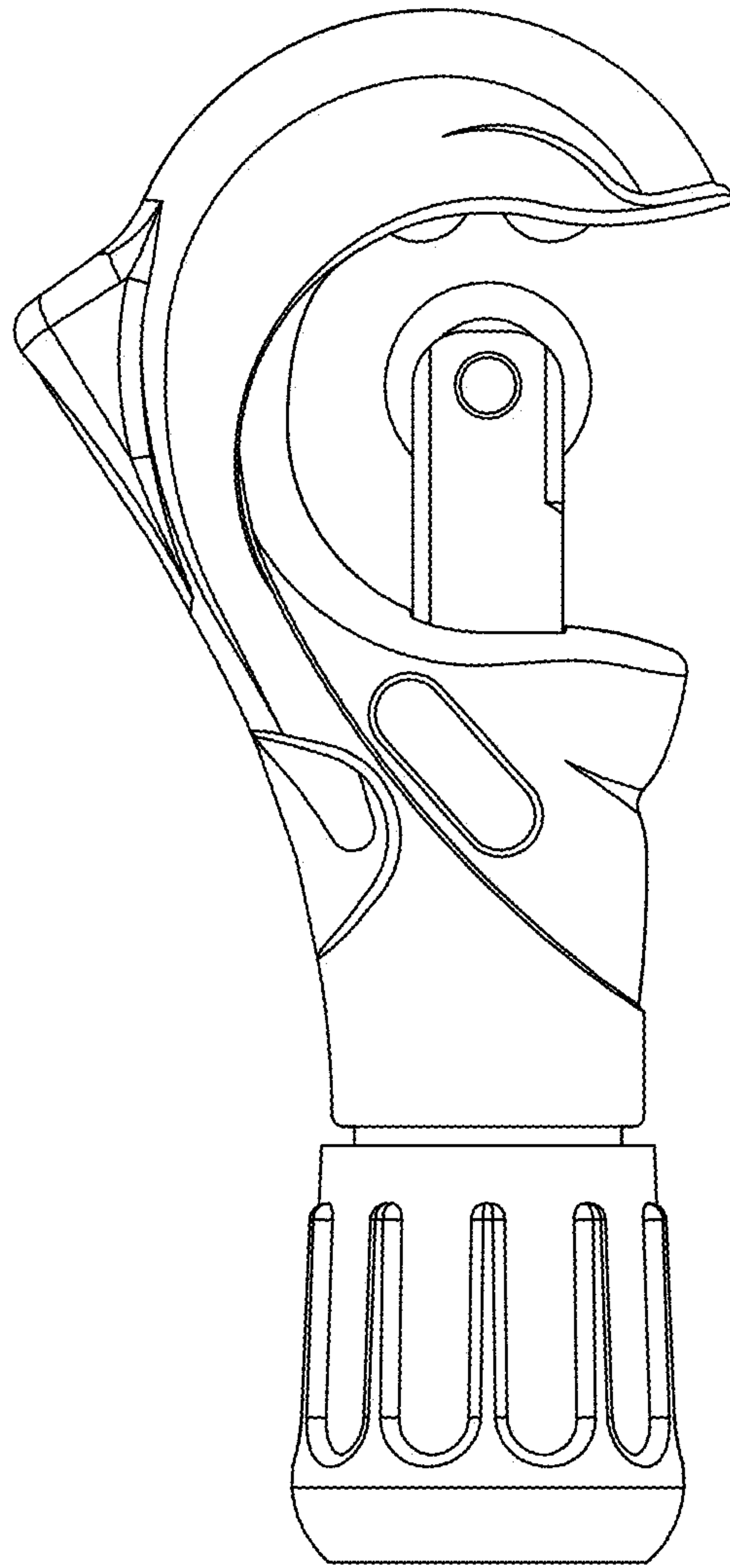


FIG. 4

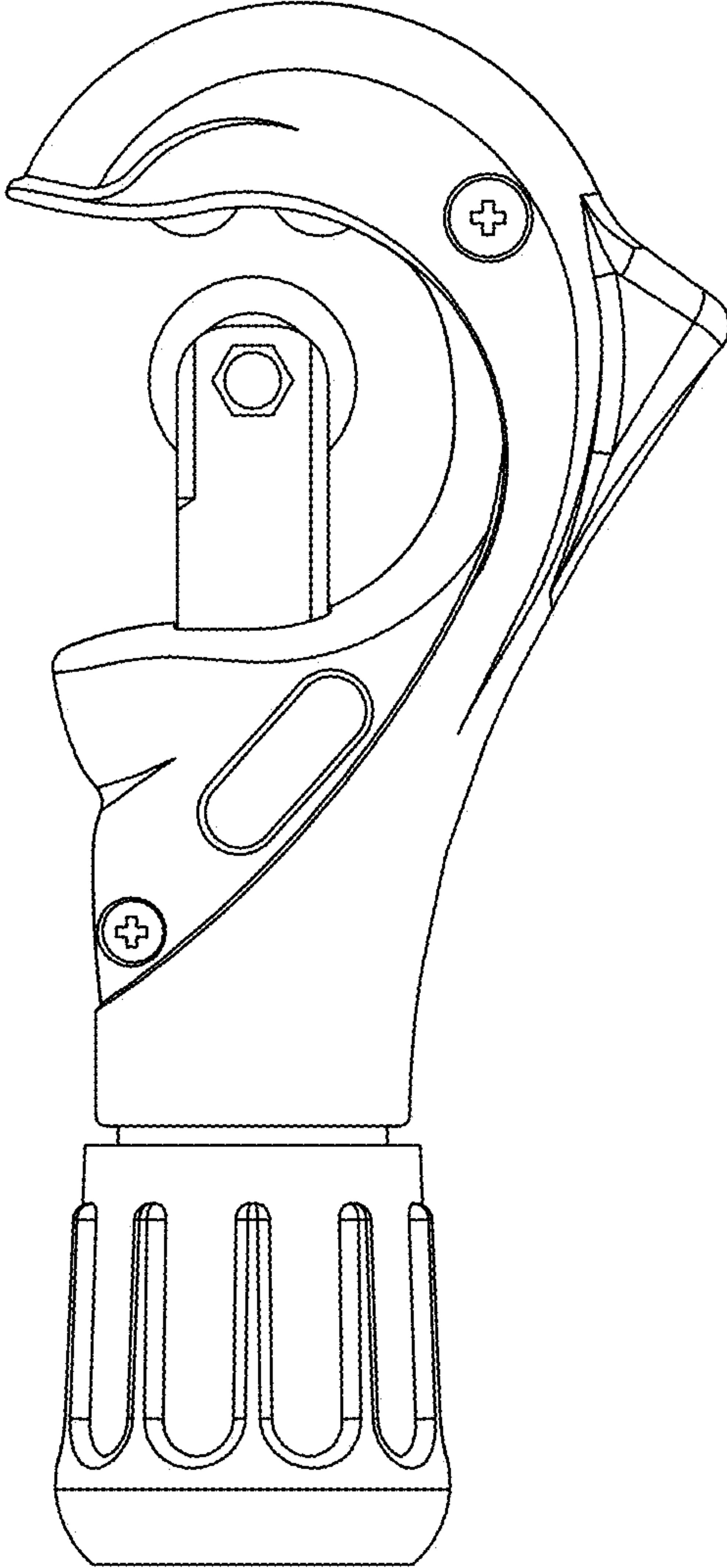


FIG. 5

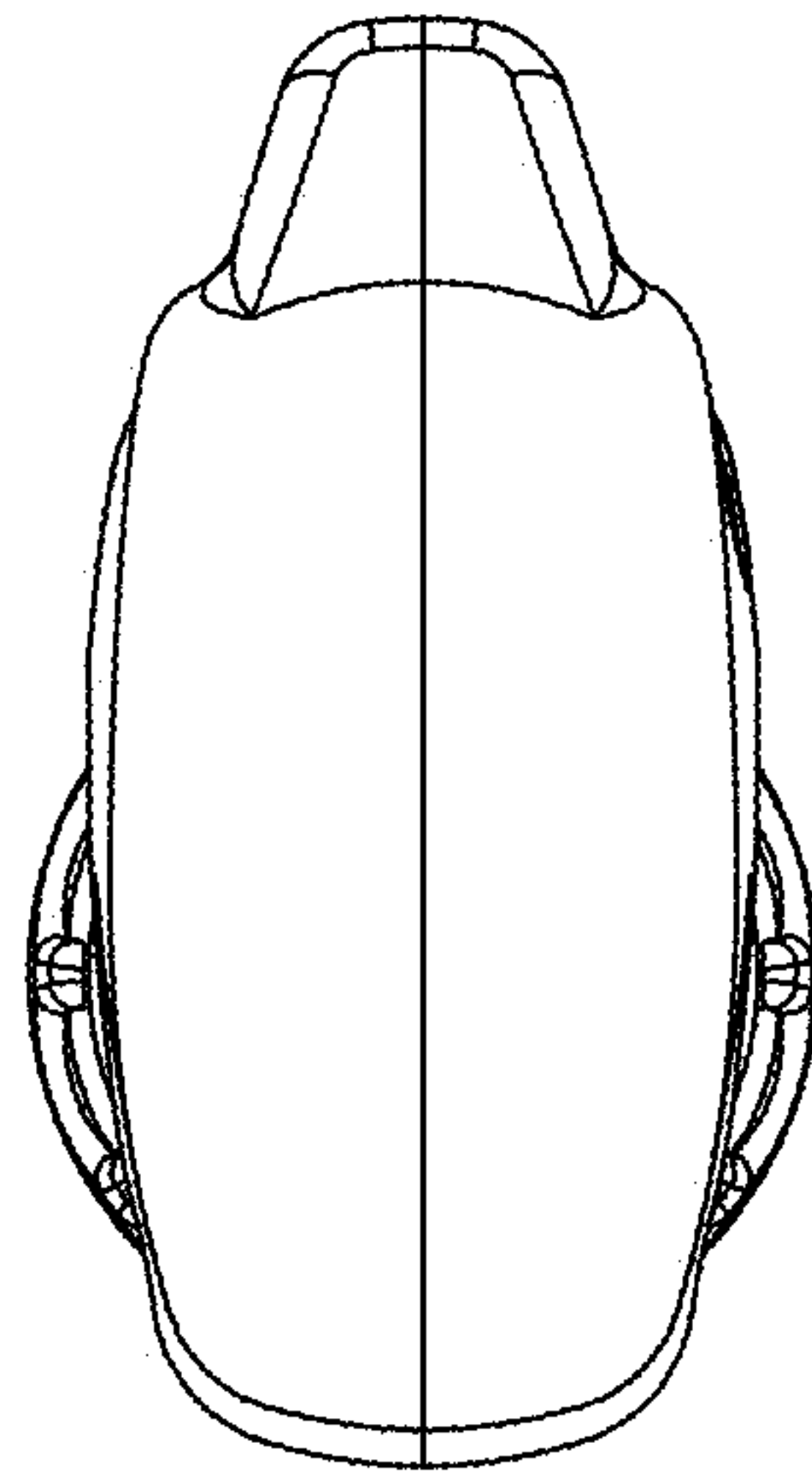


FIG. 6

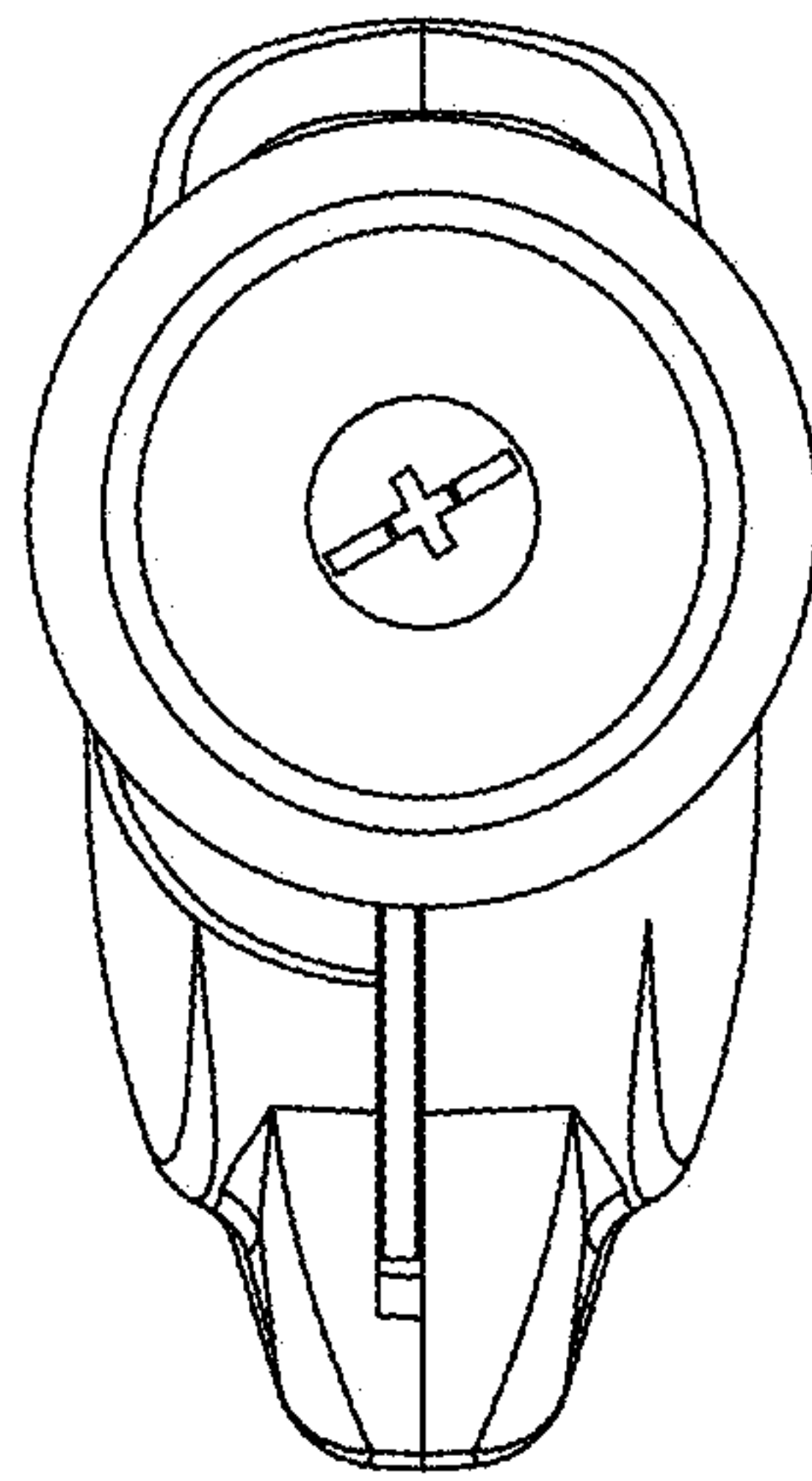


FIG. 7