



US00D696914S

(12) **United States Design Patent**  
**Clemmer**

(10) **Patent No.:** **US D696,914 S**  
(45) **Date of Patent:** **\*\* Jan. 7, 2014**

- (54) **ICE CREAM SANDWICH MAKER**
- (75) Inventor: **Jesse Clemmer**, Lake Forest, CA (US)
- (73) Assignee: **Evrholder Products, LLC**, Anaheim, CA (US)
- (\*\*) Term: **14 Years**
- (21) Appl. No.: **29/424,887**
- (22) Filed: **Jun. 16, 2012**
- (51) **LOC (10) Cl.** ..... **07-04**
- (52) **U.S. Cl.**  
USPC ..... **D7/677**
- (58) **Field of Classification Search**  
USPC ..... D7/672-676, 638, 669, 323, 354, 376, D7/543-546, 549, 555, 601, 602, 677, 681, D7/701, 705, 708; D1/101, 102, 105, 103, D1/705; D18/15, 16; D15/82, 83; 425/118, 425/126.2, 276, 279, 281, 298, 299, 383, 425/394, 398, 406, 412, 110, 134; 249/91, 249/92, 118-121, 117, 135; 294/87.11; 206/563, 423, 822; 220/659, 669, 674, 220/675, 400, 403, 405, 406, 407, 800  
See application file for complete search history.

5,022,235 A *	6/1991	Grissom	.....	62/457.4
D349,433 S *	8/1994	Tran	.....	D7/693
D464,853 S *	10/2002	Klamer	.....	D7/693
D481,913 S *	11/2003	Wright	.....	D7/672
D489,585 S *	5/2004	Wong	.....	D7/693
D517,859 S *	3/2006	Fung	.....	D7/372
D521,328 S *	5/2006	Morgan	.....	D7/672
D561,032 S *	2/2008	Fuchs	.....	D9/529
D581,750 S *	12/2008	de Groote	.....	D7/679
D585,932 S *	2/2009	Kida et al.	.....	D18/15

\* cited by examiner

*Primary Examiner* — Ian Simmons  
*Assistant Examiner* — Shannon Weekley

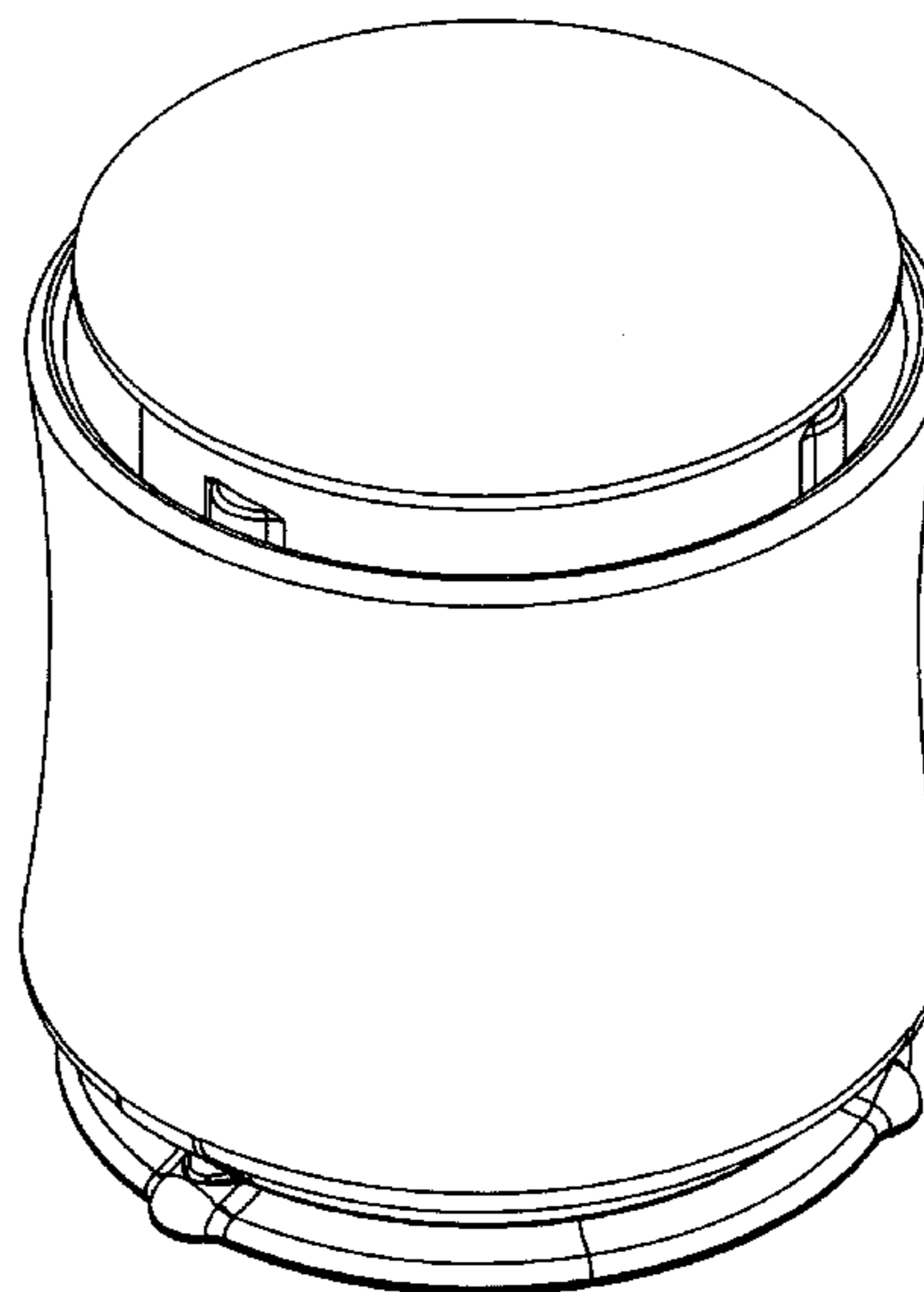
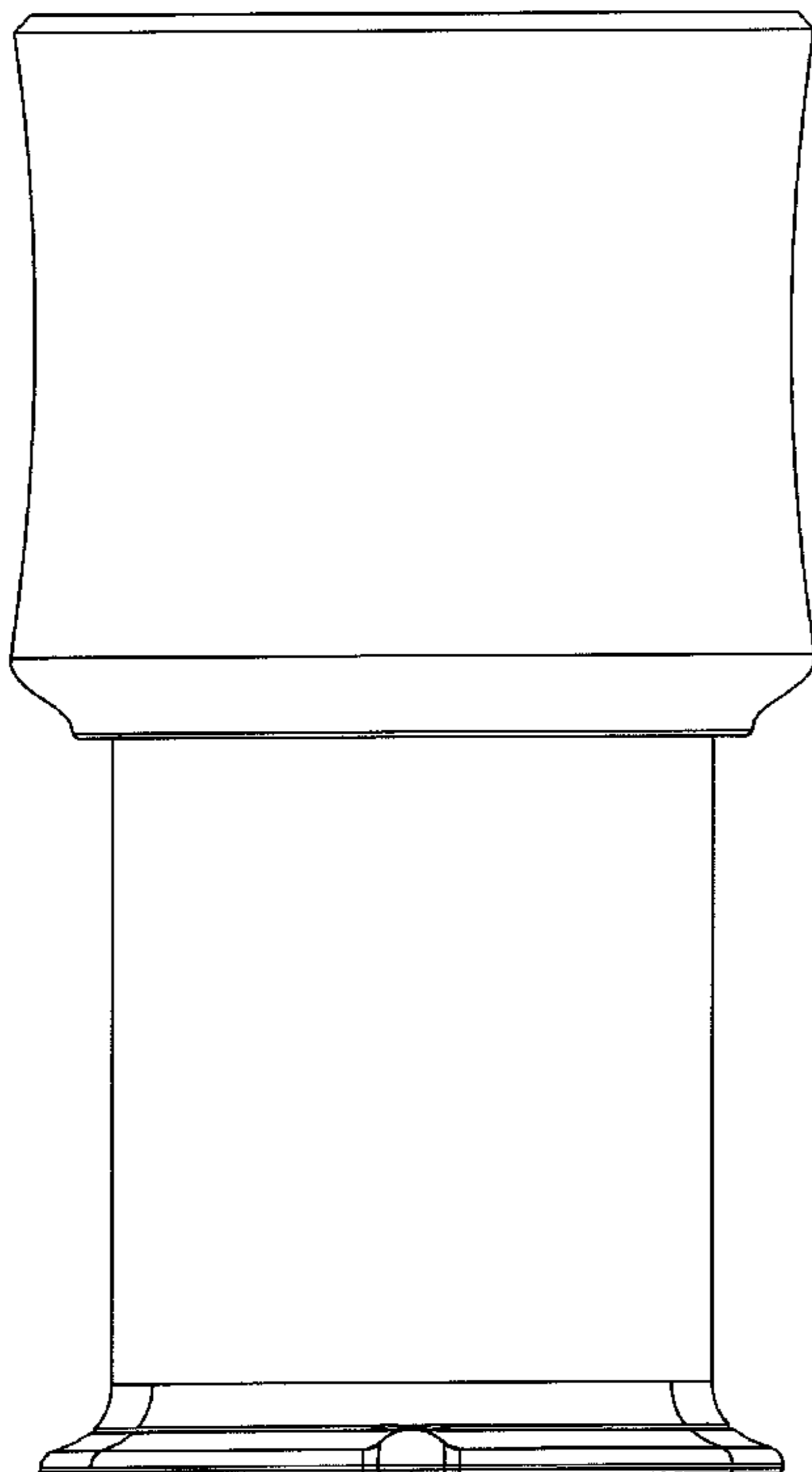
(57) **CLAIM**  
The ornamental design for an ice cream sandwich maker, as shown and described.

**DESCRIPTION**

FIG. 1 is a front view showing my new design of an ice cream sandwich maker thereof;  
 FIG. 2 is a bottom view thereof;  
 FIG. 3 is a left-side elevational view thereof;  
 FIG. 4 is a right-side elevational view thereof;  
 FIG. 5 is a top view thereof;  
 FIG. 6 is a rear view thereof;  
 FIG. 7 is a cross-sectional view taken along line 7-7 of FIG. 1 thereof;  
 FIG. 8 is a front, top perspective view shown in an uncompressed state thereof; and,  
 FIG. is a front, top perspective view shown in a compressed state thereof.

**1 Claim, 9 Drawing Sheets**

- (56) **References Cited**  
U.S. PATENT DOCUMENTS  
D185,465 S \* 6/1959 Schlumbohm ..... D7/608  
D234,319 S \* 2/1975 Knight, Jr. .... D15/82  
4,537,194 A \* 8/1985 Hanson et al. .... 607/96



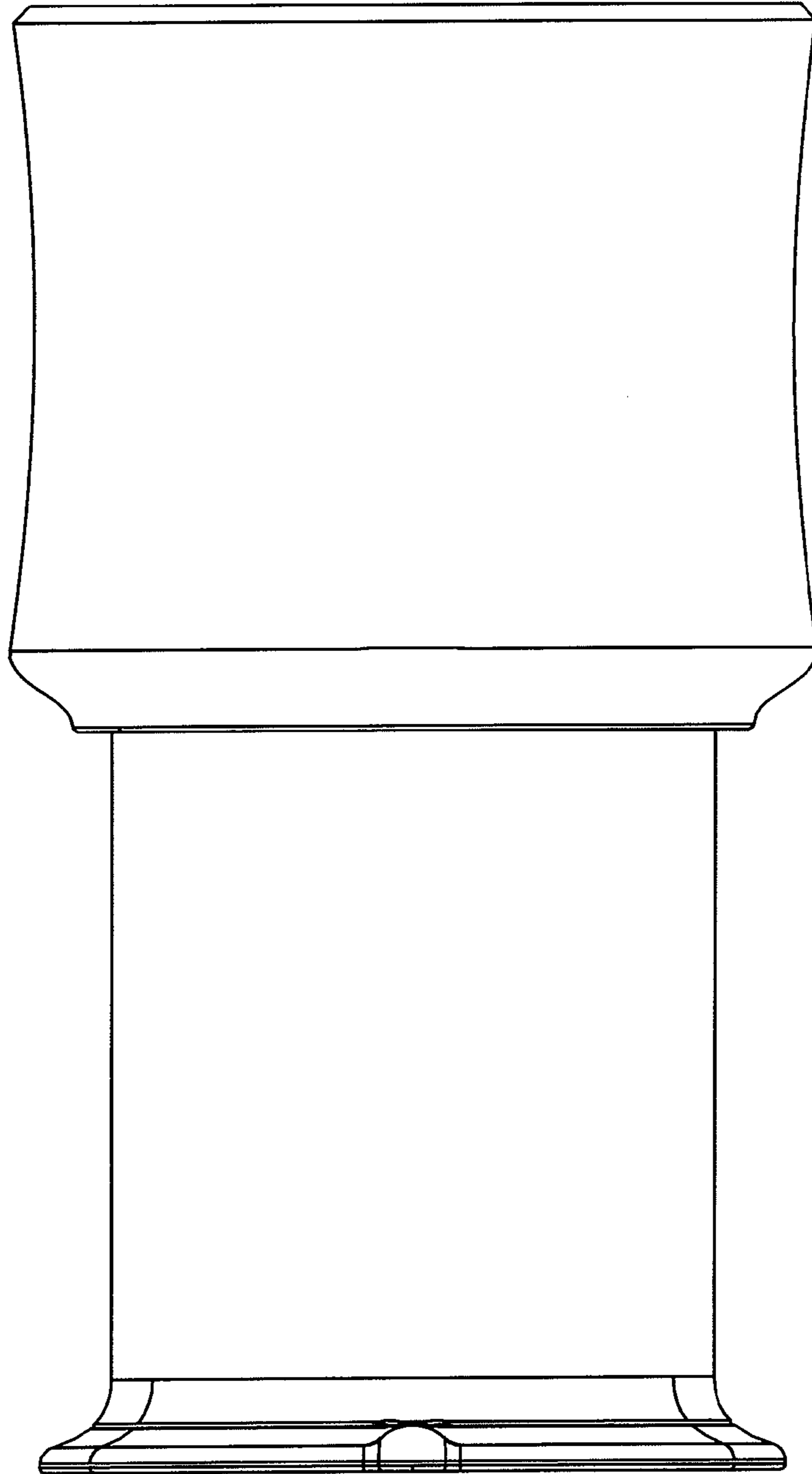


FIG. 1

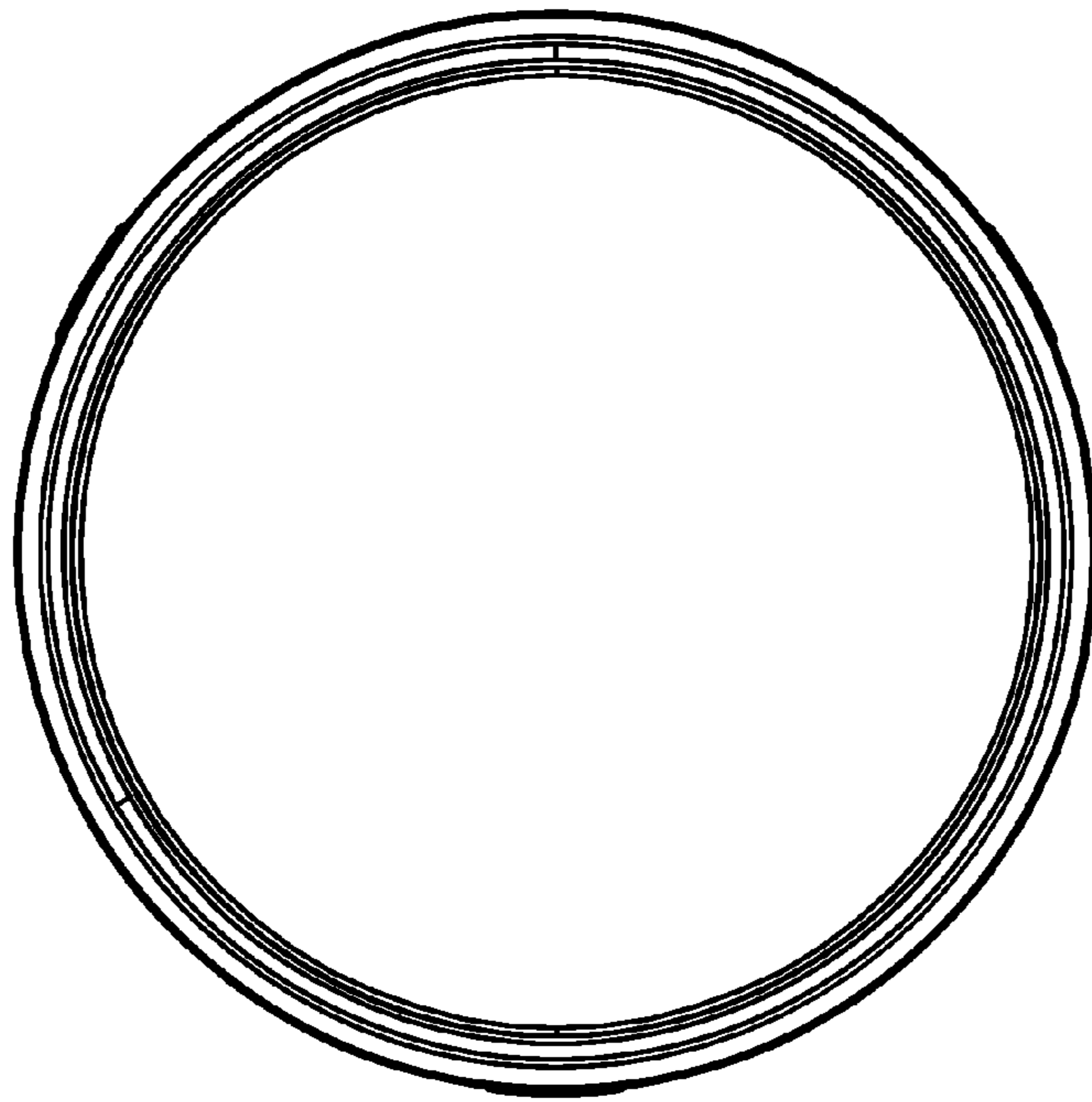


FIG. 2

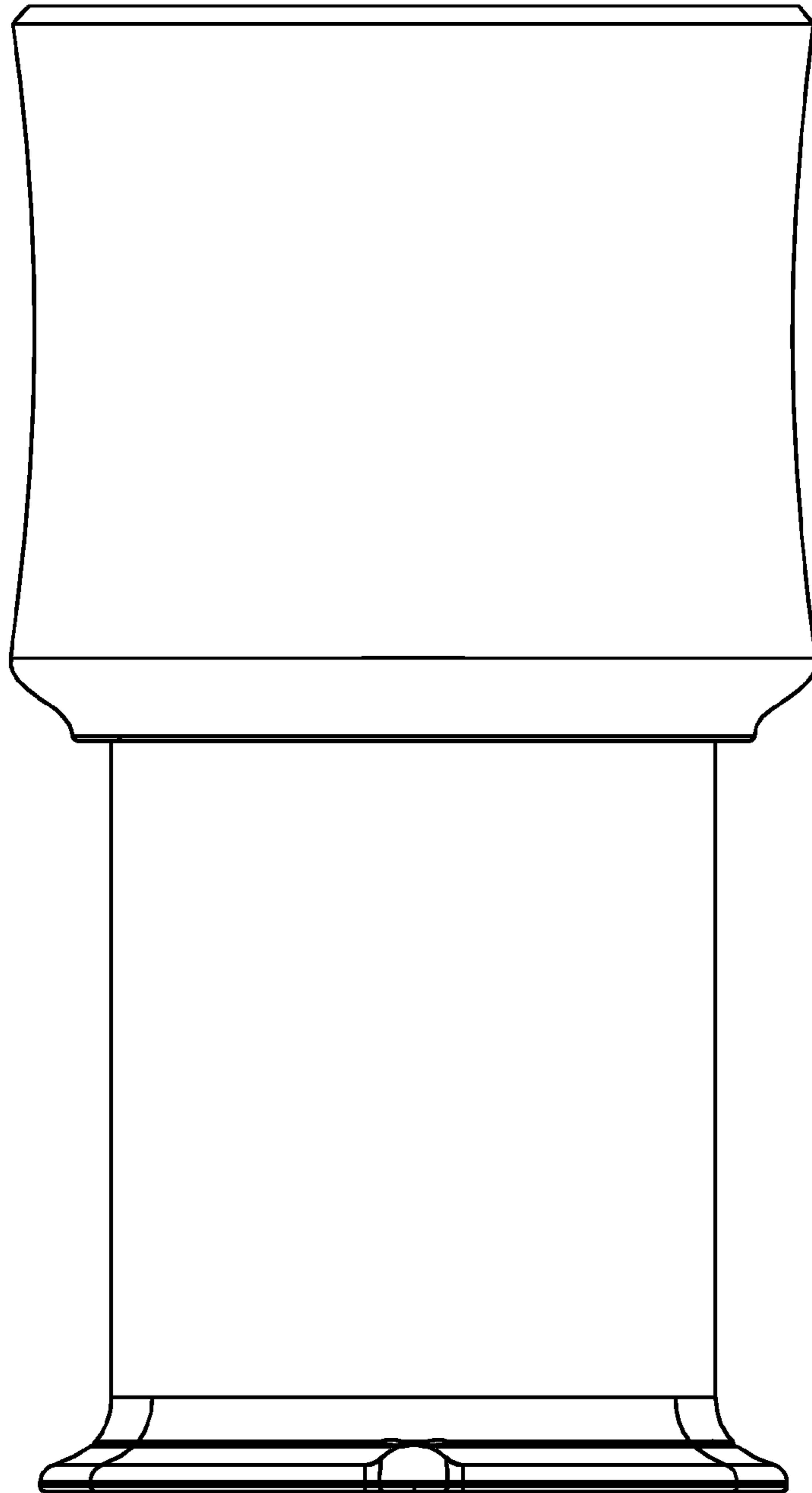


FIG. 3

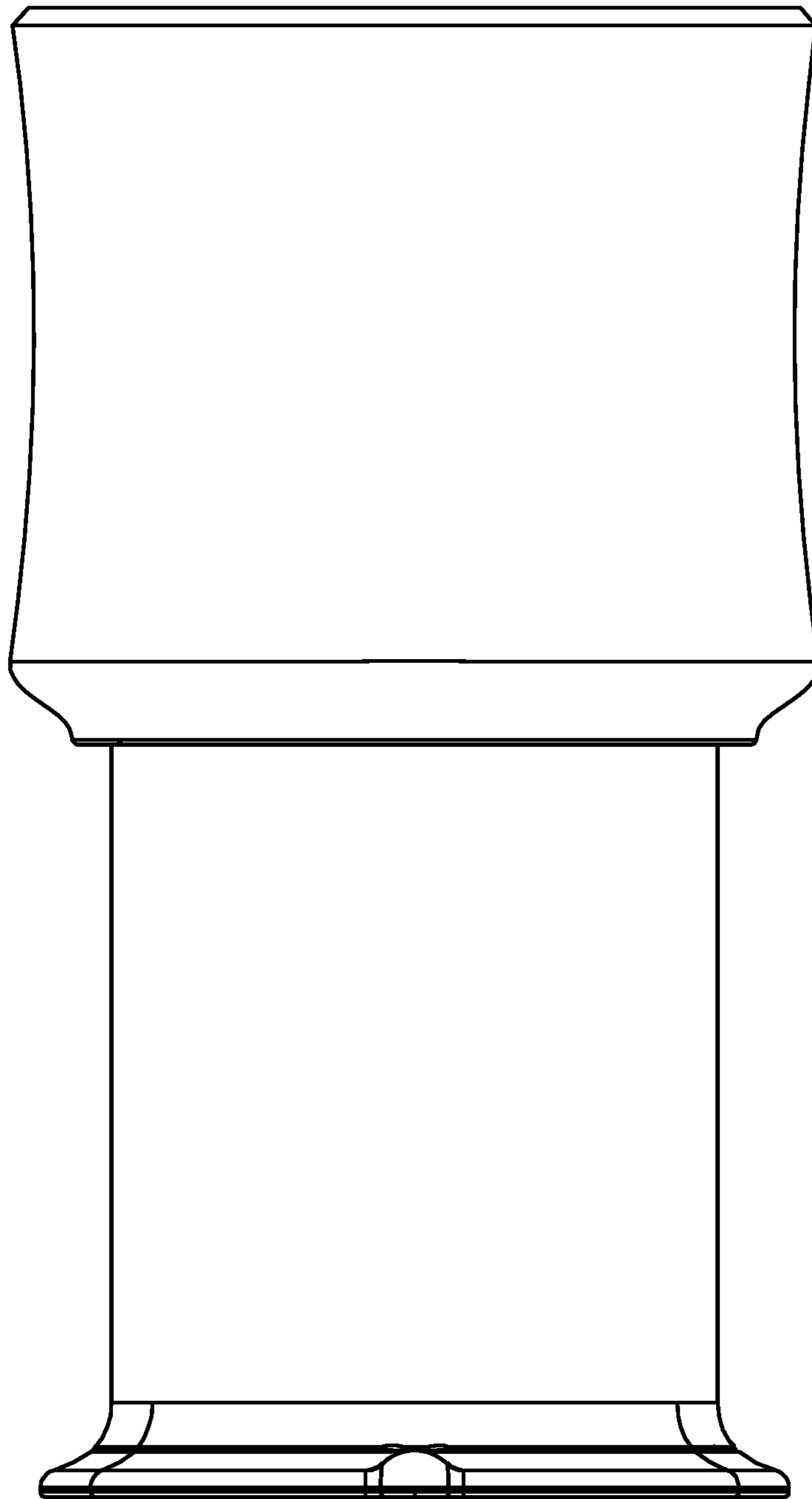


FIG. 4

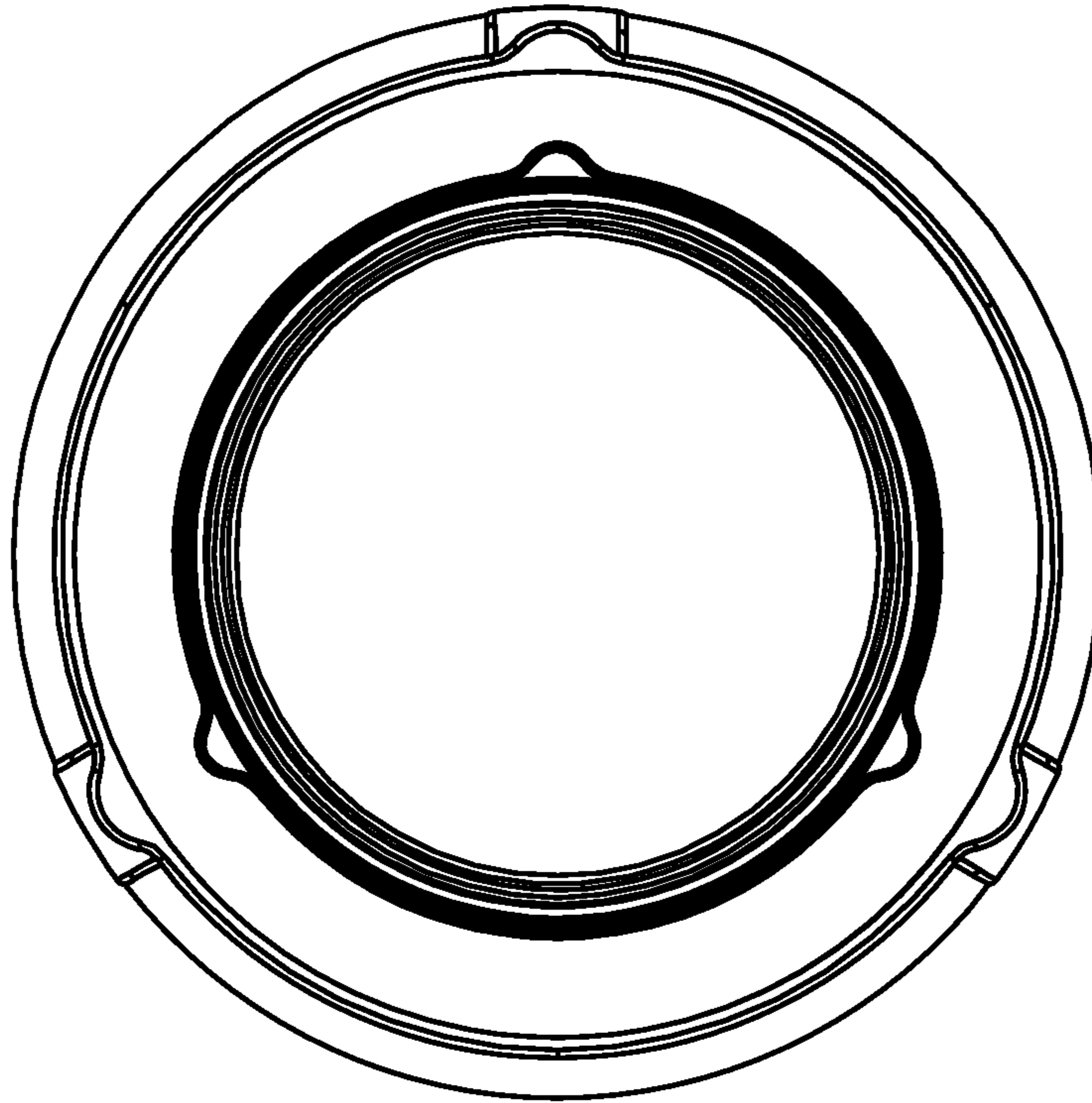


FIG. 5

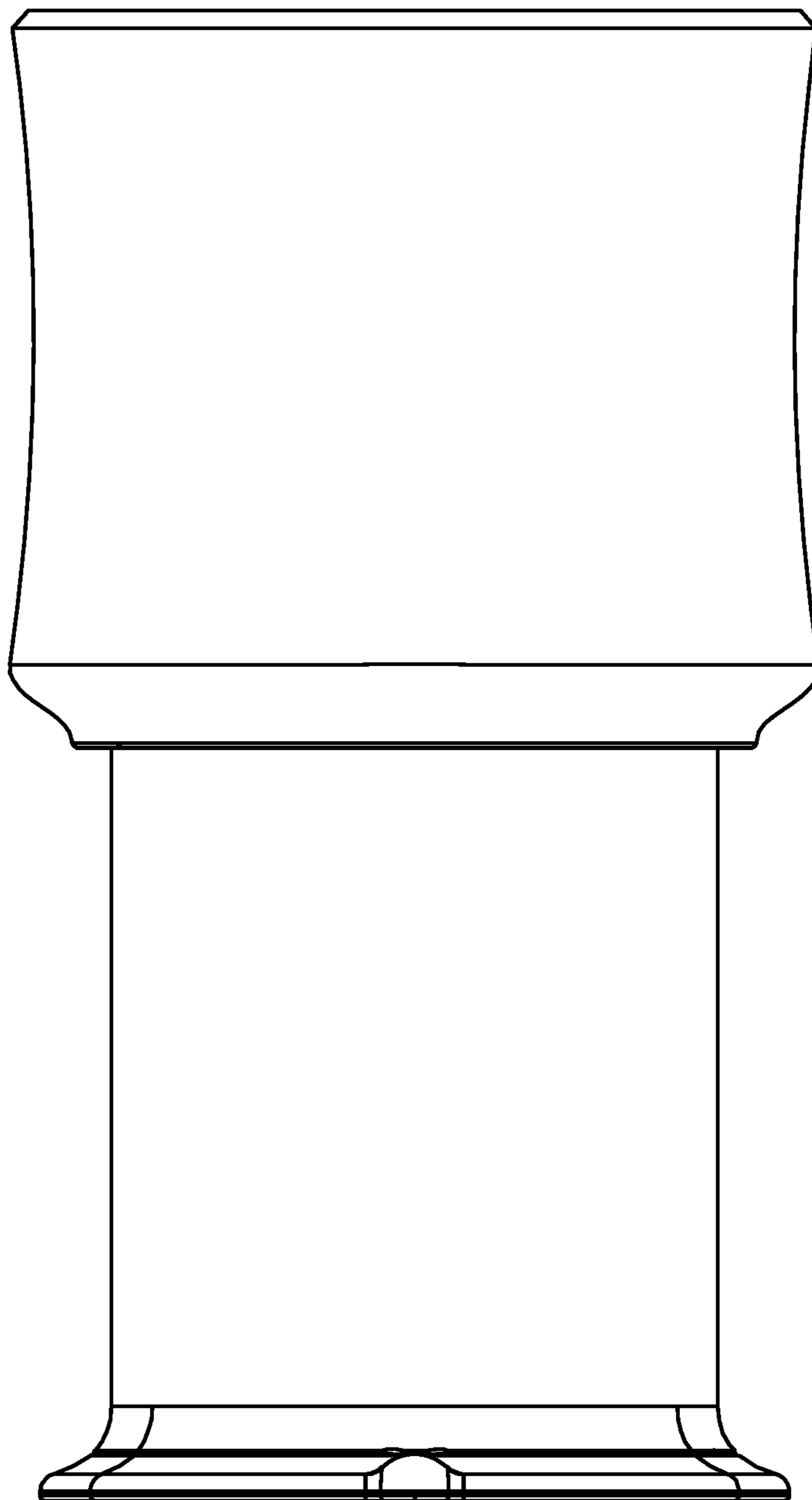


FIG. 6

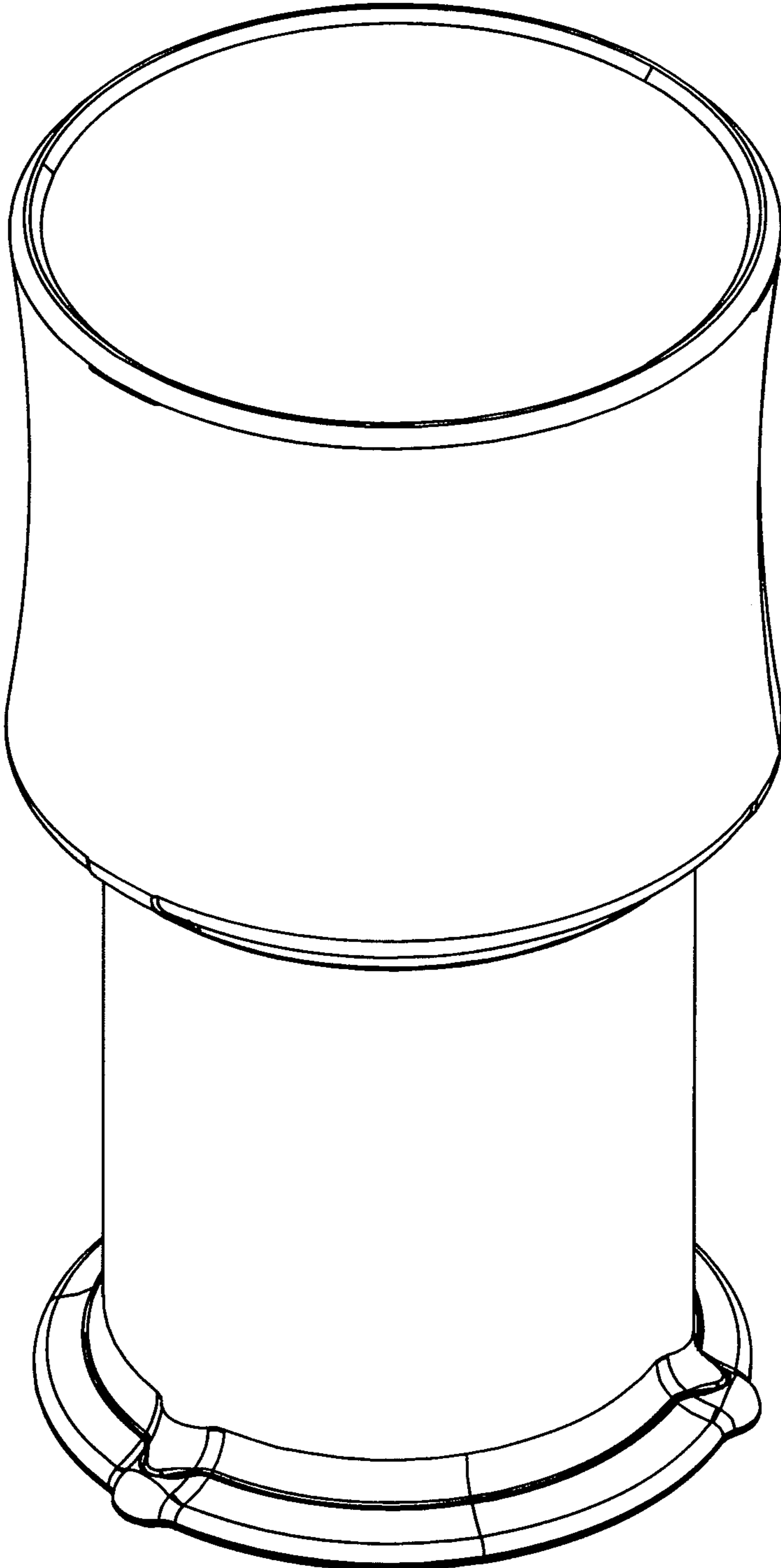


FIG. 7



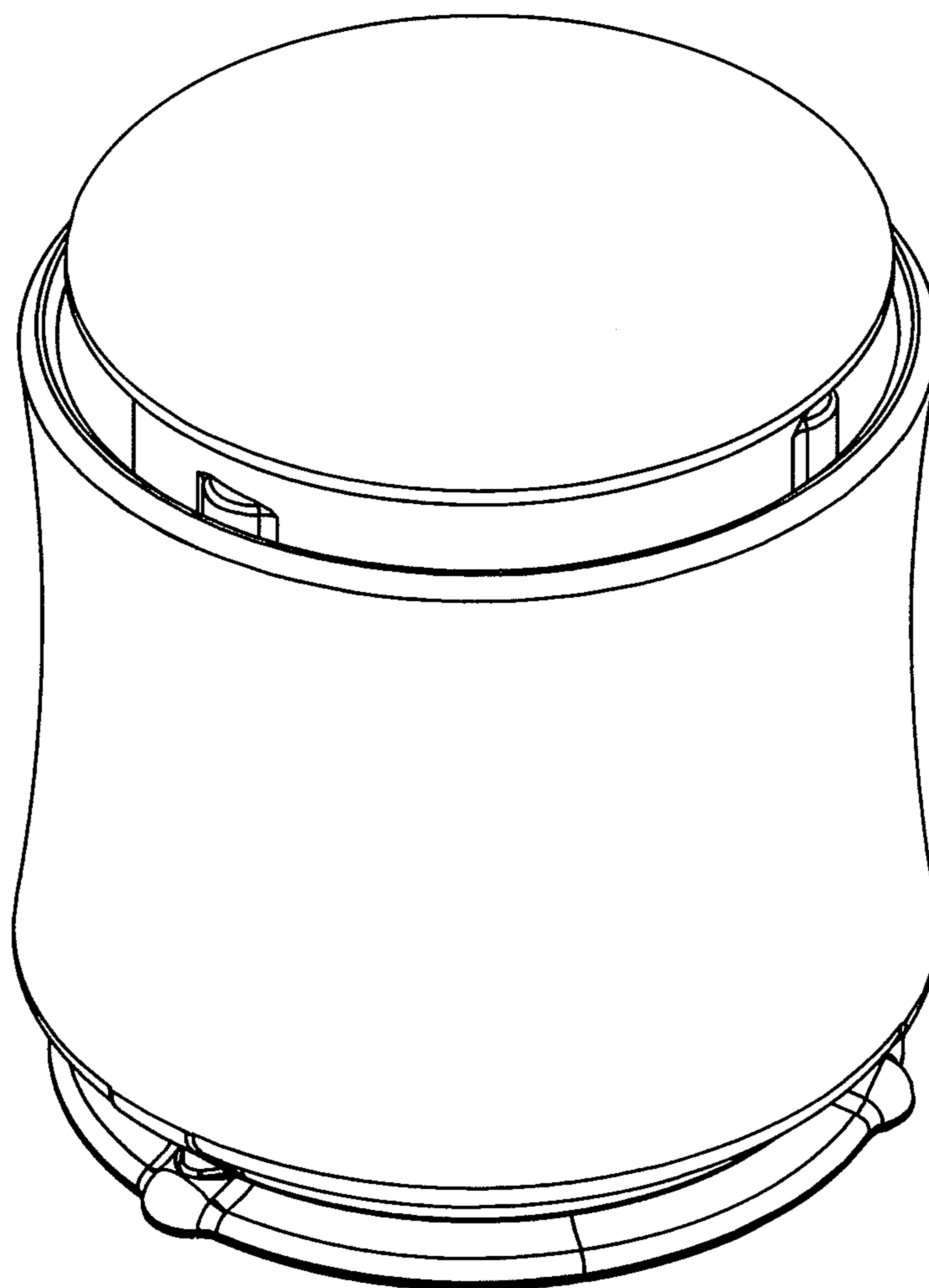


FIG. 8

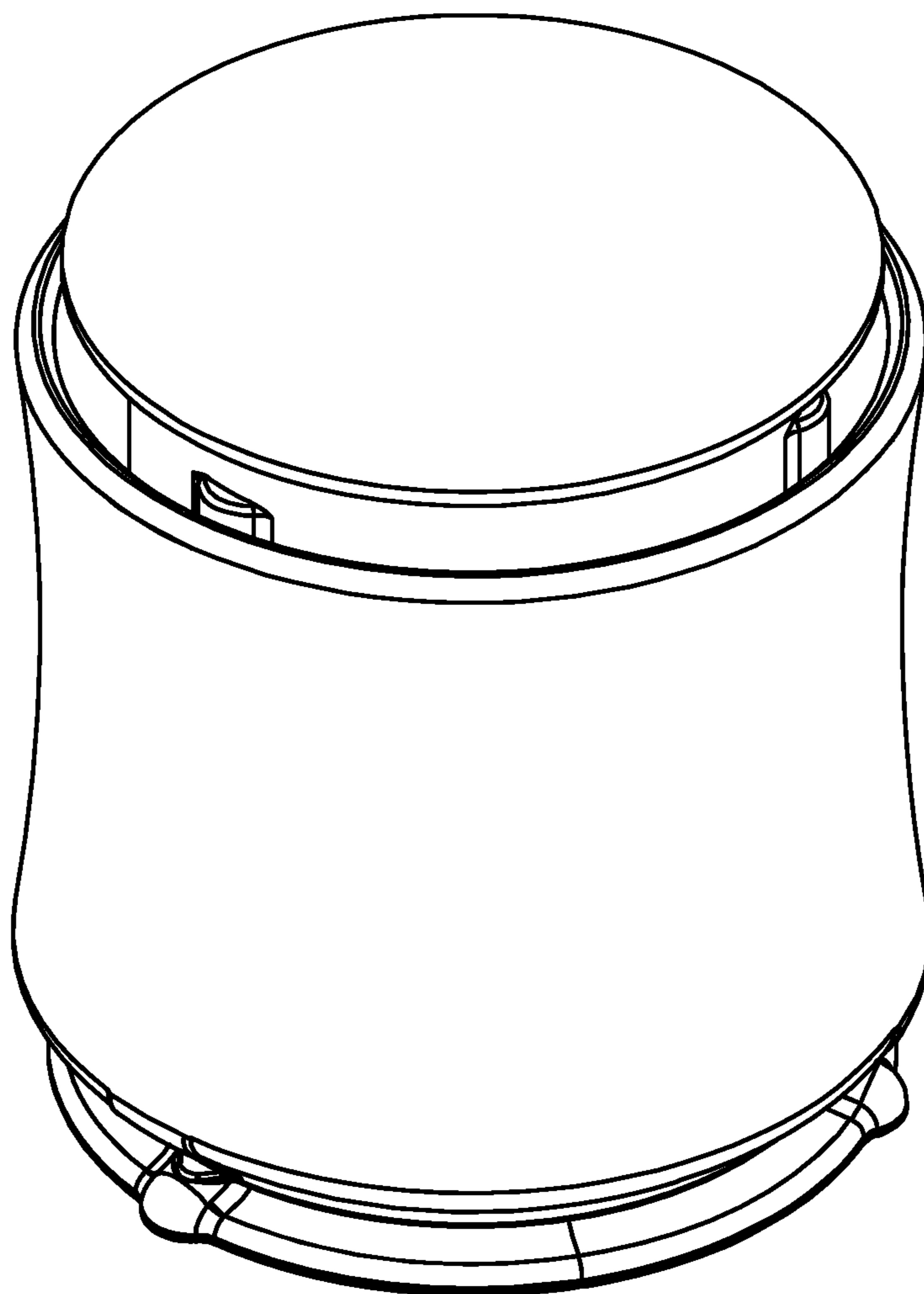


FIG. 9