



US00D696912S

(12) **United States Design Patent**
Magnin

(10) **Patent No.:** **US D696,912 S**
(45) **Date of Patent:** **** Jan. 7, 2014**

- (54) **FONDUE FORK**
- (71) Applicant: **Georges Magnin**, Chene-Bougeries (CH)
- (72) Inventor: **Georges Magnin**, Chene-Bougeries (CH)
- (**) Term: **14 Years**
- (21) Appl. No.: **29/441,217**
- (22) Filed: **Jan. 2, 2013**
- (30) **Foreign Application Priority Data**
 - Jul. 4, 2012 (WO) 67875701
- (51) **LOC (10) Cl.** **07-03**
- (52) **U.S. Cl.**
USPC **D7/642; D7/653; D7/654**
- (58) **Field of Classification Search**
USPC D7/368, 393-395, 401.2, 505, 637, D7/642-648, 649-654, 660-664, 669, D7/675-676, 683, 688-692, 695-696; D8/1, 14; D21/796; D32/49; 15/236.06; 30/129, 137, 141-143, 30/147-150, 322-327, 329, 340, 342-344, 30/408, 425; 99/394, 419; 222/191; 294/10, 50, 55.5; 374/155; 416/70 R, 416/75
See application file for complete search history.

- (56) **References Cited**
U.S. PATENT DOCUMENTS
 - 286,668 A * 10/1883 Wiswell 30/323
 - 858,429 A * 7/1907 Webb 30/129
 - 968,968 A * 8/1910 Oblosser 294/55.5
 - 1,327,438 A * 1/1920 Lewis 30/137
 - 2,521,032 A * 9/1950 Becker 30/129
 - D166,441 S * 4/1952 Bert, Jr. D7/663
 - 2,864,163 A * 12/1958 Boruvka 30/129
 - 3,078,787 A * 2/1963 Arseneault 99/419
 - 3,410,457 A * 11/1968 Brown 222/191
 - 3,552,210 A * 1/1971 Wright, Jr. 374/155
 - 3,602,541 A * 8/1971 Sharpe 294/50

- D224,337 S * 7/1972 Nocero D7/643
- 3,745,910 A * 7/1973 Delamater 99/419
- D228,337 S * 9/1973 Maynard D7/683
- 3,800,354 A * 4/1974 Stephens 15/236.06
- 3,858,320 A * 1/1975 Neal et al. 30/323
- D234,743 S * 4/1975 Andersen D32/49
- 4,103,420 A * 8/1978 Davis 30/129
- 4,176,592 A * 12/1979 Doyle, Jr. 99/419
- D253,989 S * 1/1980 Rhoades D7/683
- D292,059 S * 9/1987 Heitfield D8/1
- 4,734,984 A * 4/1988 Snell et al. 30/322
- 5,117,558 A * 6/1992 Hull 30/323
- D360,451 S * 7/1995 Levocz et al. D21/796
- D366,196 S * 1/1996 Gulu et al. D8/14
- D377,888 S * 2/1997 Griffin D7/683
- D395,988 S * 7/1998 Badour D7/683
- 5,775,207 A * 7/1998 Warren 99/394
- 5,896,668 A * 4/1999 Murrell 30/322
- 6,485,074 B1 * 11/2002 Floyd 294/10
- D519,331 S * 4/2006 Camp D7/683
- D540,128 S * 4/2007 Pontzious D7/683
- D542,101 S * 5/2007 Fung D7/690
- D546,635 S * 7/2007 Bodum D7/653
- D555,436 S * 11/2007 Slothower D7/683
- 7,395,602 B2 * 7/2008 Backus et al. 30/322
- D588,421 S * 3/2009 Schultz D7/692
- D621,232 S * 8/2010 Lion et al. D7/653
- D657,207 S * 4/2012 Habig et al. D7/683

* cited by examiner

Primary Examiner — Ricky Pham
(74) *Attorney, Agent, or Firm* — DLA Piper LLP US

(57) **CLAIM**
The ornamental designs for a fondue fork, as shown and described.

DESCRIPTION

- FIG. 1 is a left side view of a fondue fork, according to a first embodiment;
- FIG. 2 is a front view of a fondue fork, according to a first embodiment;
- FIG. 3 is a back view of a fondue fork, according to a first embodiment;
- FIG. 4 is a top view of a fondue fork, according to a first embodiment;
- FIG. 5 is a bottom view of a fondue fork, according to a first embodiment;

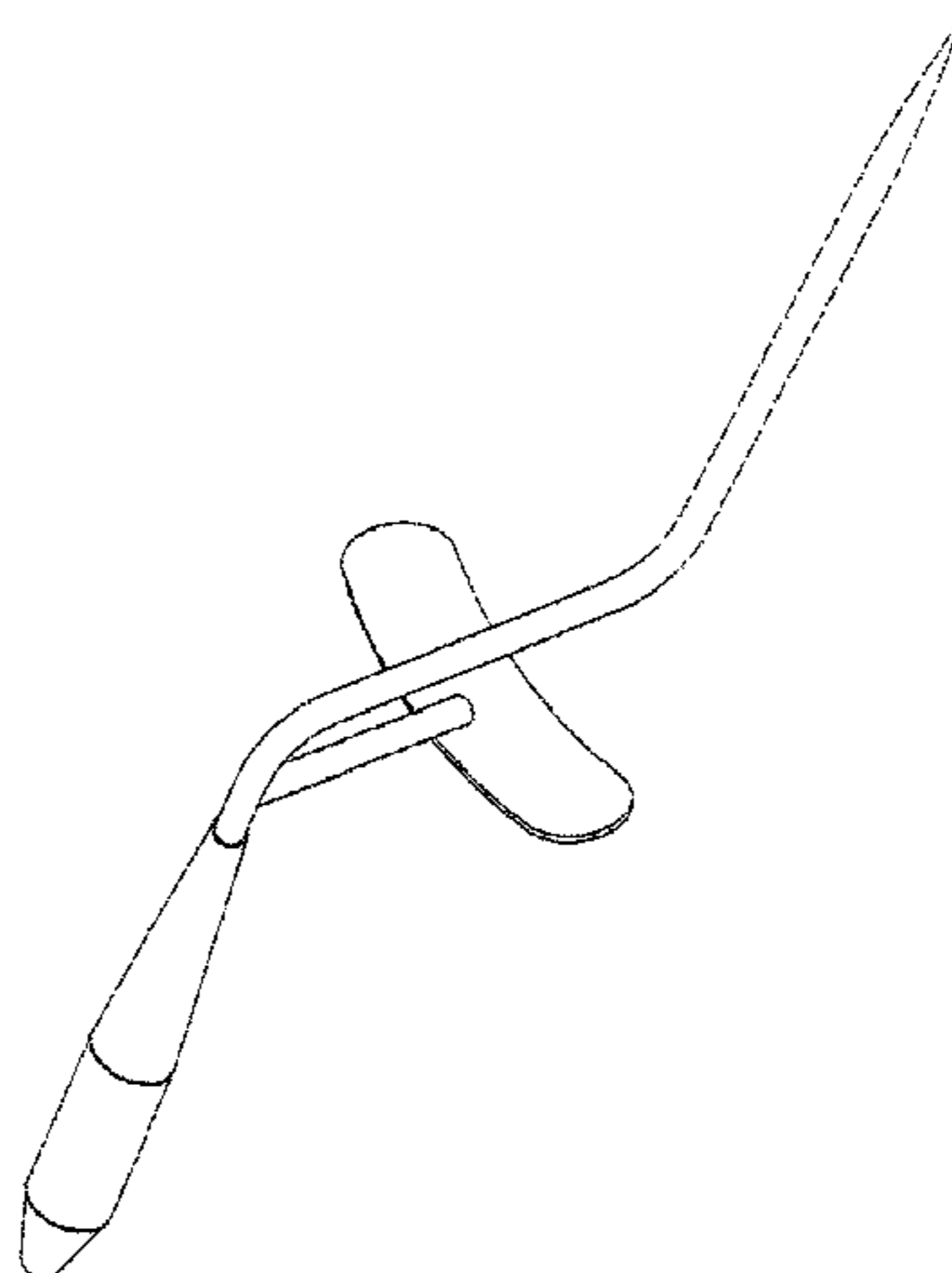


FIG. 6 is a top perspective view of a fondue fork, according to a first embodiment;

FIG. 7 is a bottom perspective view of a fondue fork, according to a first embodiment;

FIG. 8 is a left side view of a fondue fork, according to a second embodiment;

FIG. 9 is a top perspective view of a fondue fork, according to a second embodiment;

FIG. 10 is a left side view of a fondue fork, according to a third embodiment;

FIG. 11 is a top perspective view of a fondue fork, according to a third embodiment;

FIG. 12 is a left side view of a fondue fork, according to a fourth embodiment;

FIG. 13 is a top view of a fondue fork, according to a fourth embodiment;

FIG. 14 is a top perspective view of a fondue fork, according to a fourth embodiment;

FIG. 15 is a left side view of a fondue fork, according to a fifth embodiment;

FIG. 16 is a top perspective view of a fondue fork, according to a fifth embodiment;

FIG. 17 is a left side view of a fondue fork, according to a sixth embodiment;

FIG. 18 is a top view of a fondue fork, according to a sixth embodiment;

FIG. 19 is a top perspective view of a fondue fork, according to a sixth embodiment;

FIG. 20 is a left side view of a fondue fork, according to a seventh embodiment;

FIG. 21 is a top view of a fondue fork, according to a seventh embodiment; and,

FIG. 22 is a top perspective view of a fondue fork, according to a seventh embodiment.

The right side of each embodiment is a mirror image of its left side.

Note that any broken line illustration of environmental structure in the drawing is not part of the design sought to be patented.

1 Claim, 22 Drawing Sheets

FIGURE 1

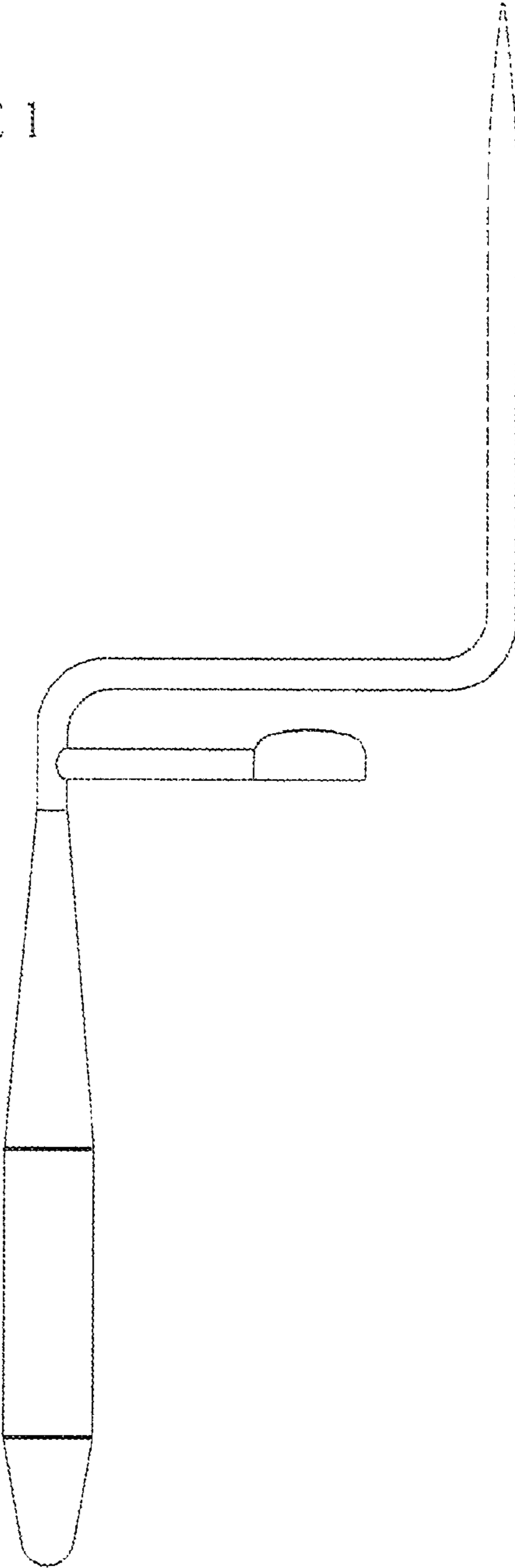


FIGURE 2

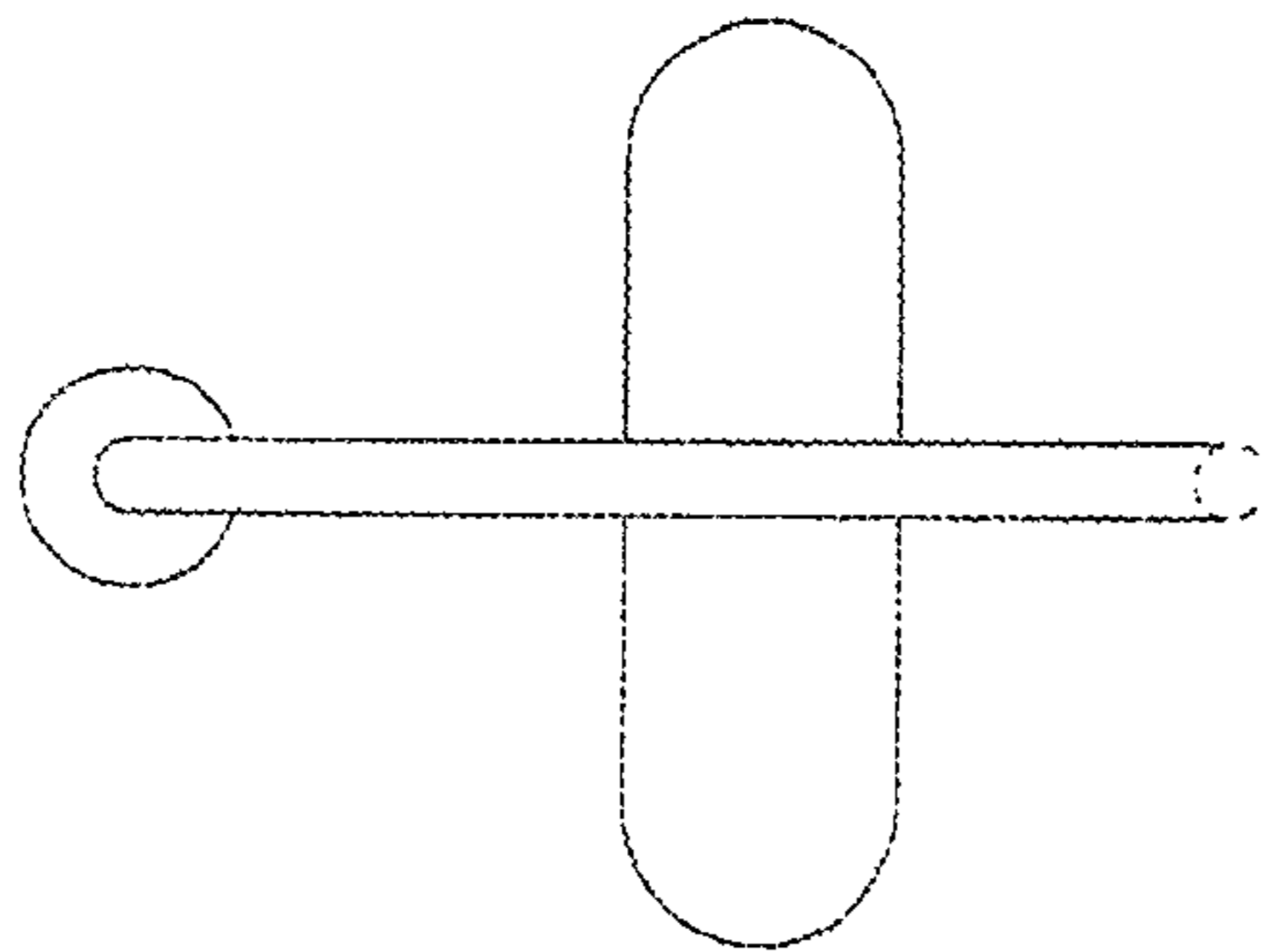


FIGURE 3

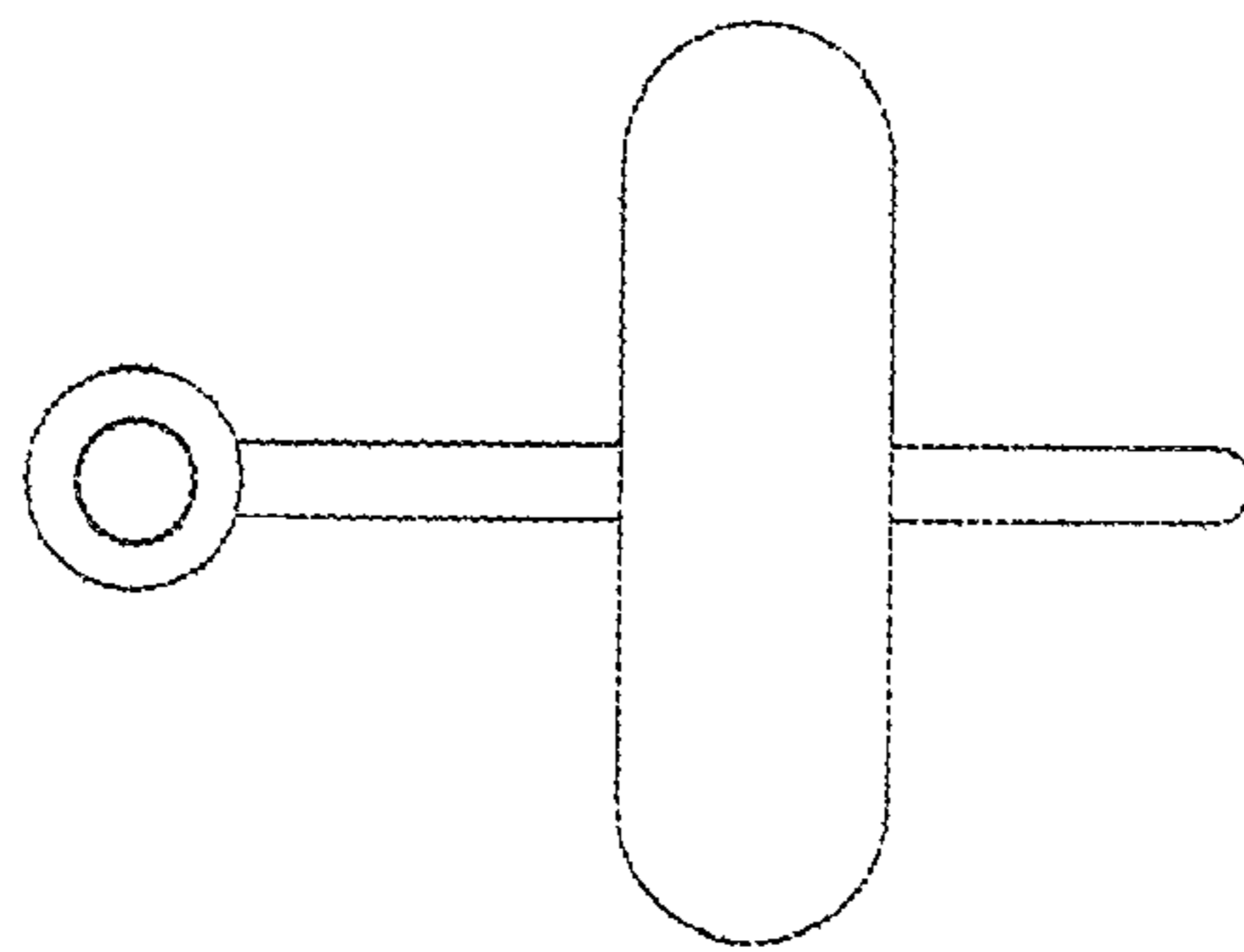


FIGURE 4

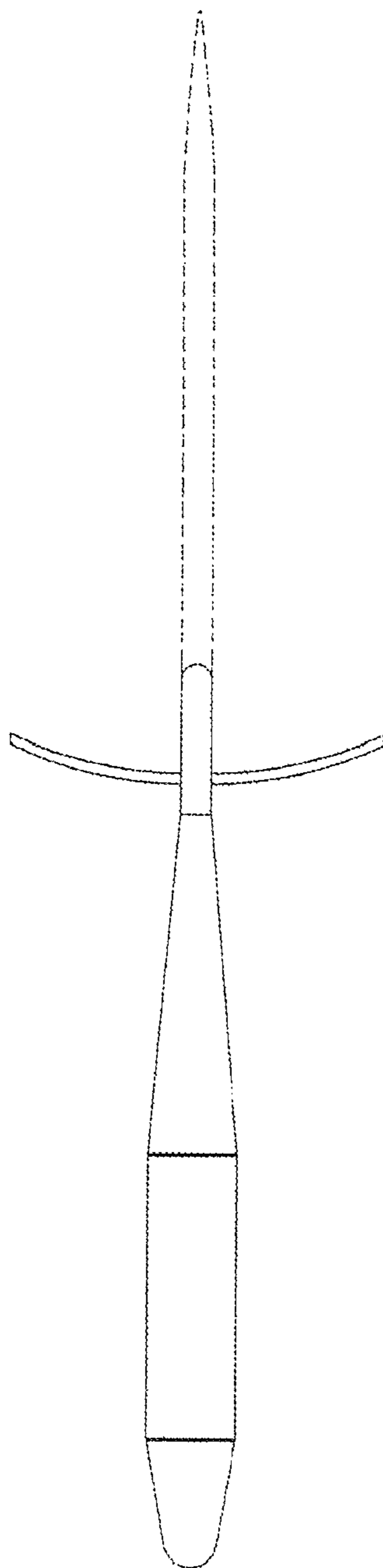


FIGURE 5

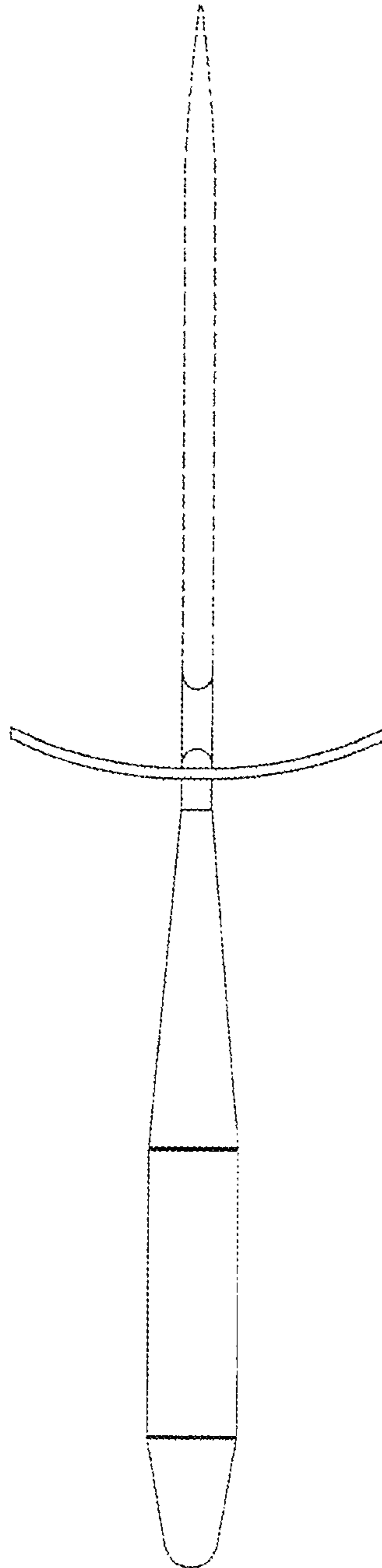


FIGURE 6

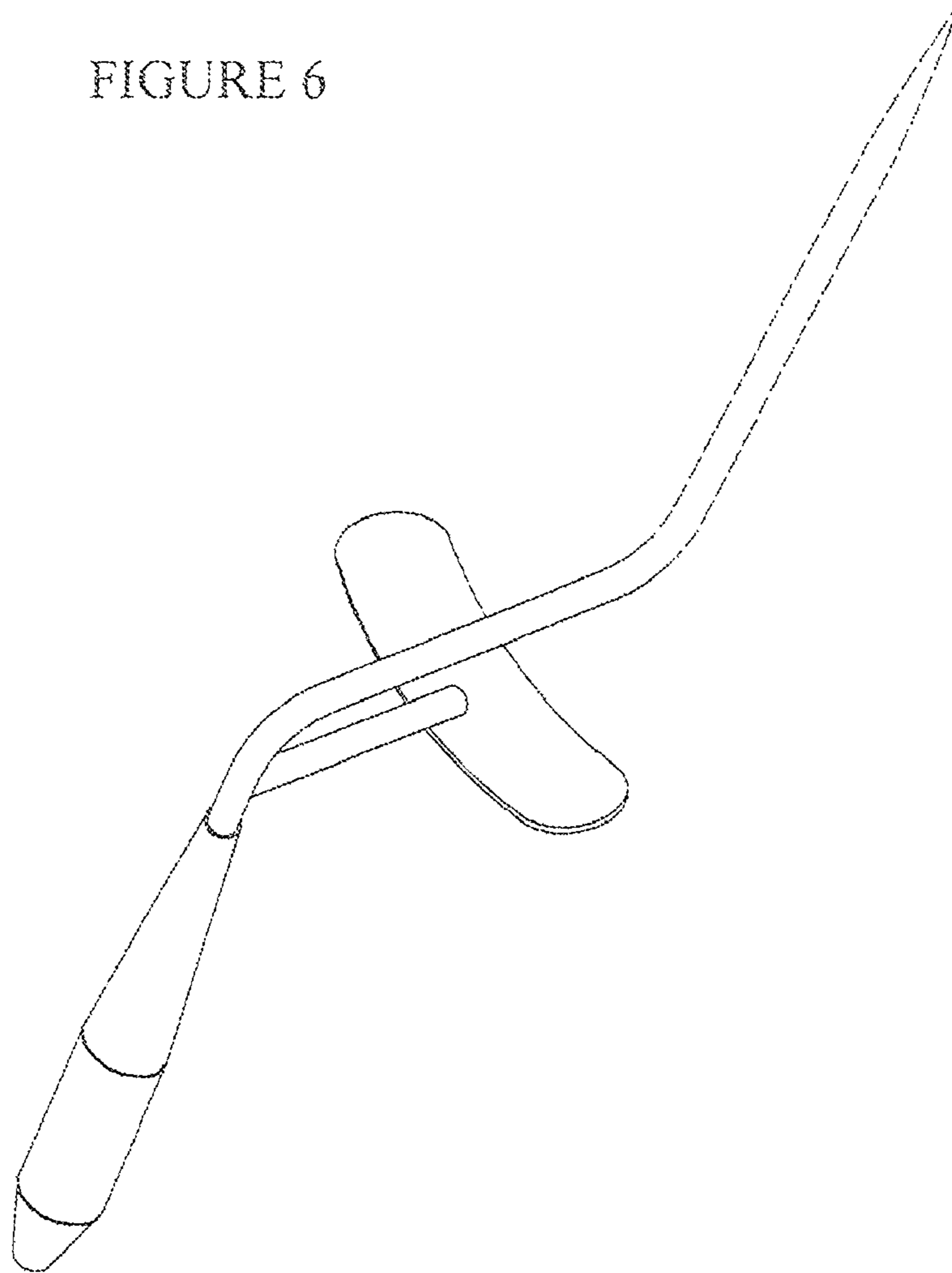


FIGURE 7

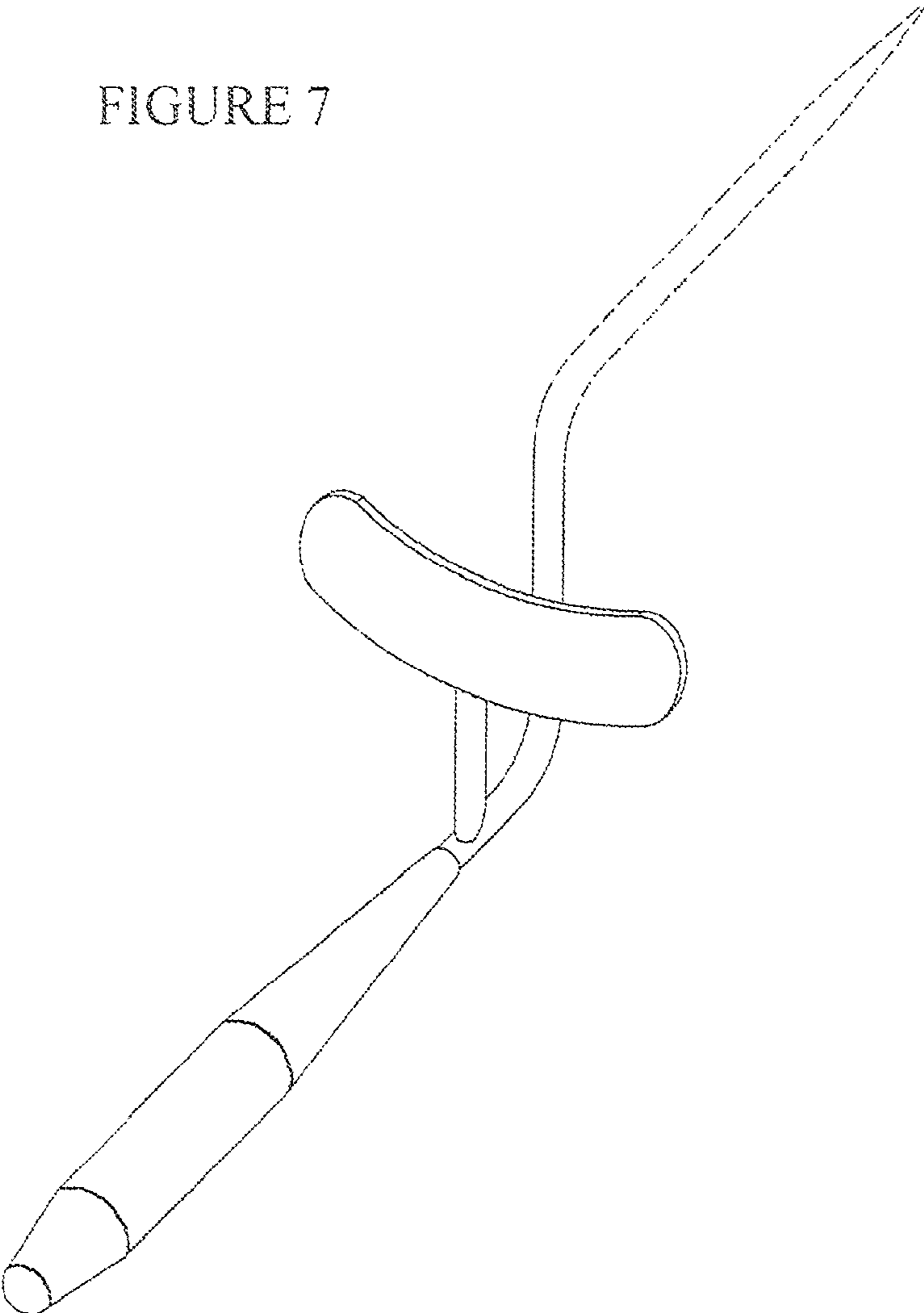


FIGURE 8

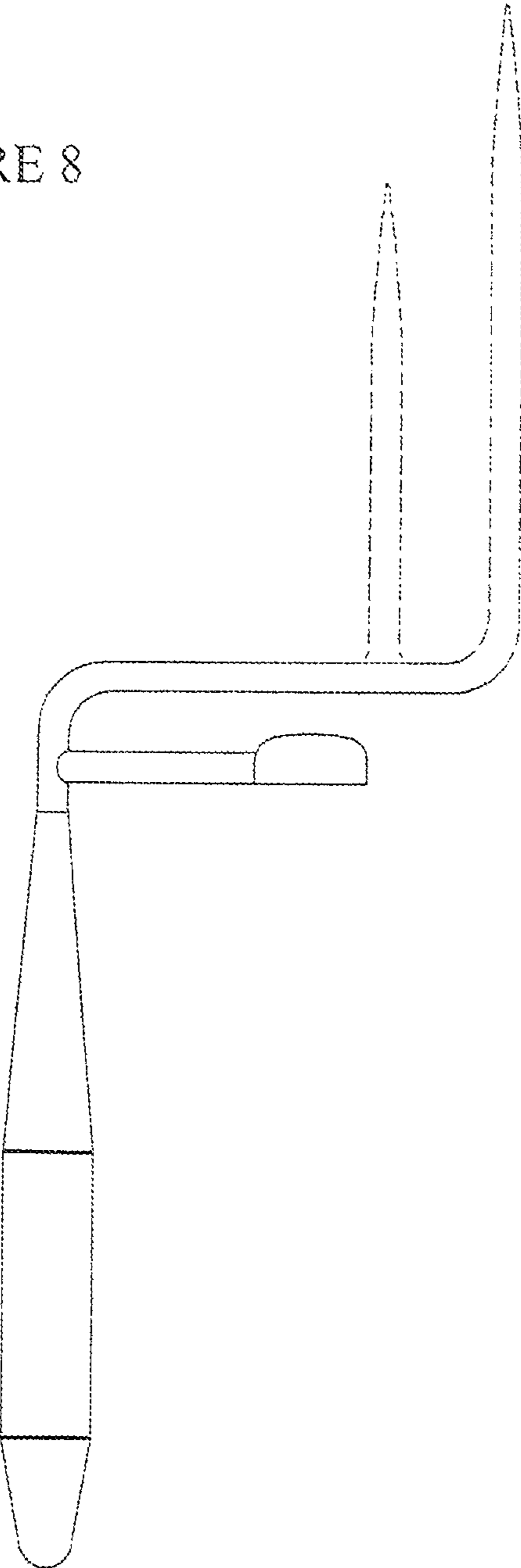


FIGURE 9

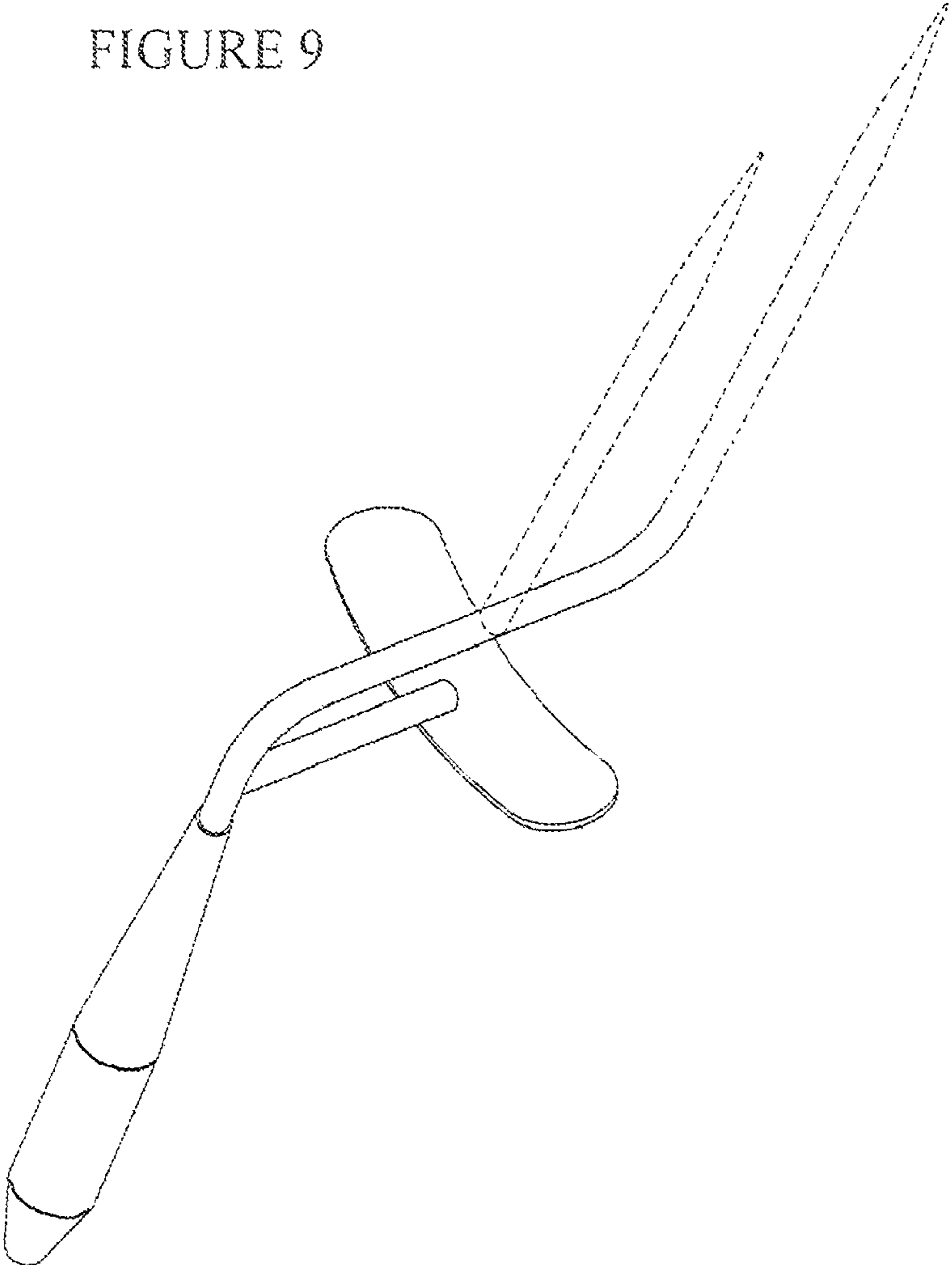


FIGURE 10

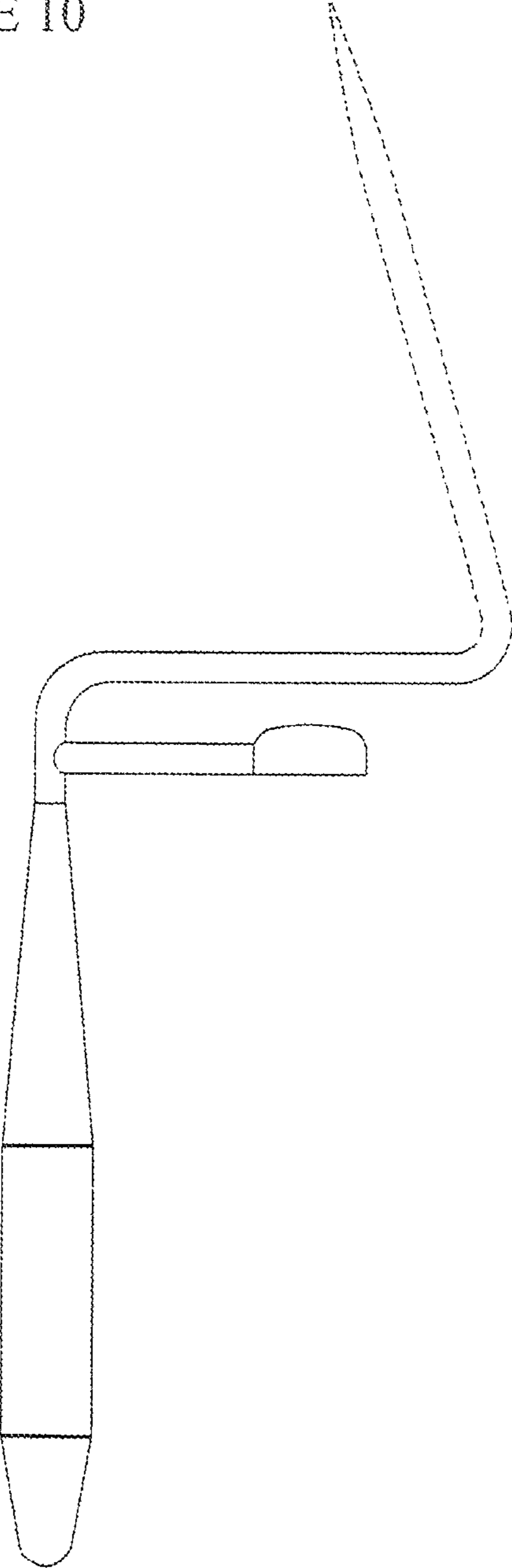


FIGURE 11

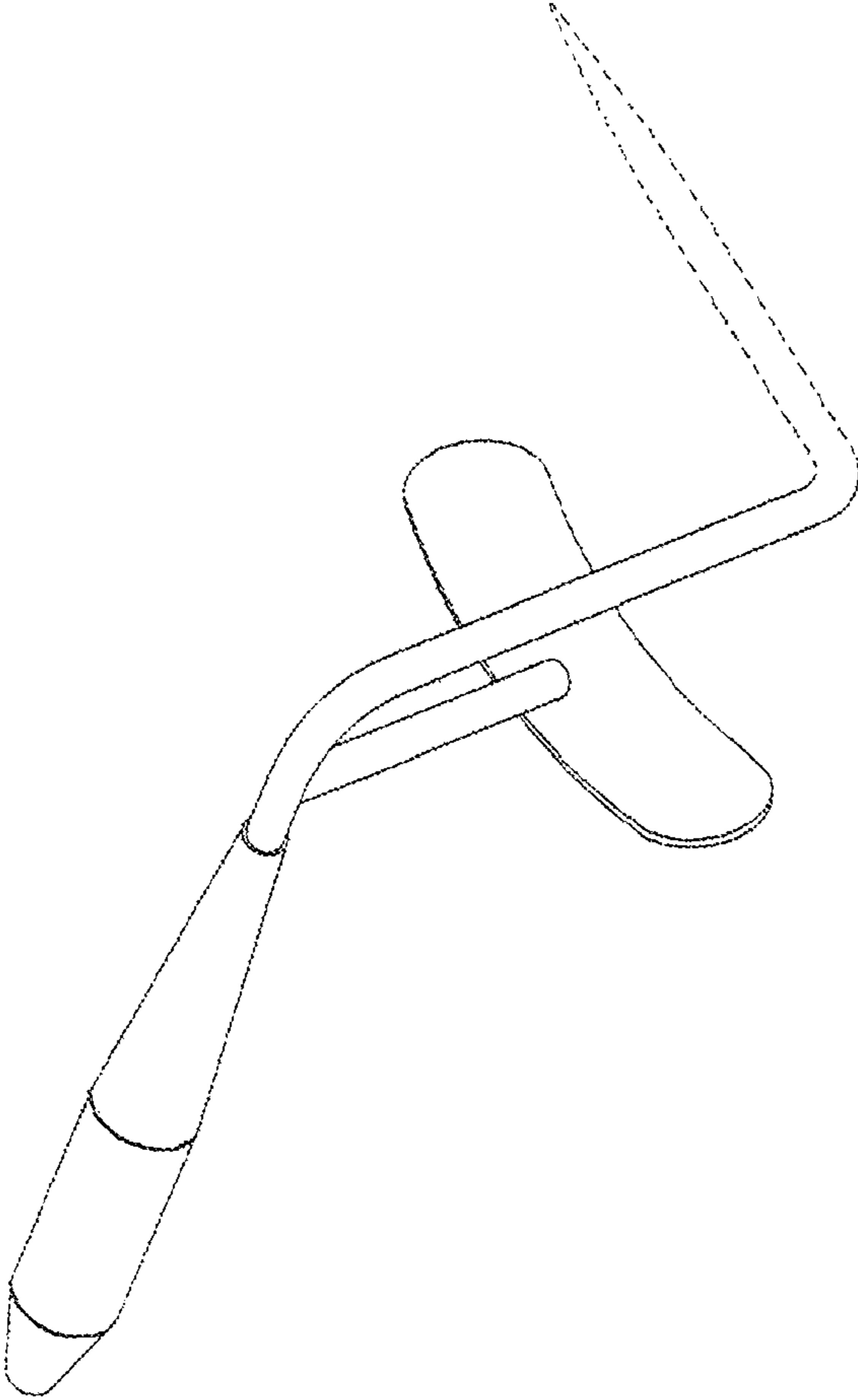


FIGURE 12

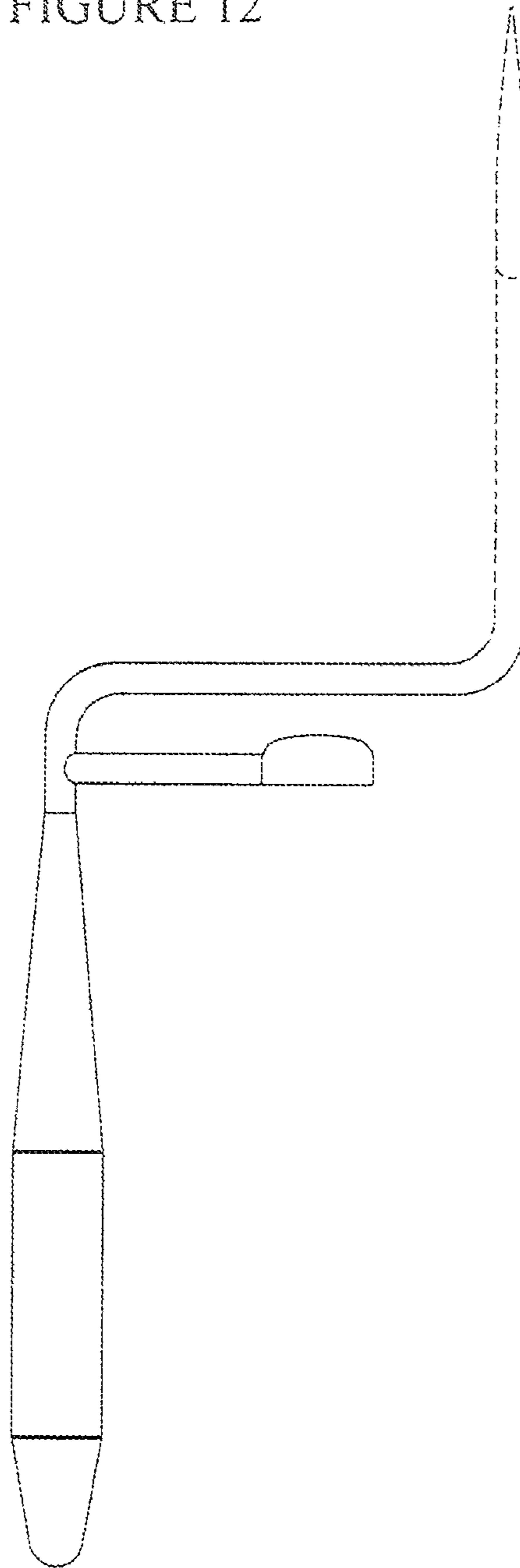


FIGURE 13

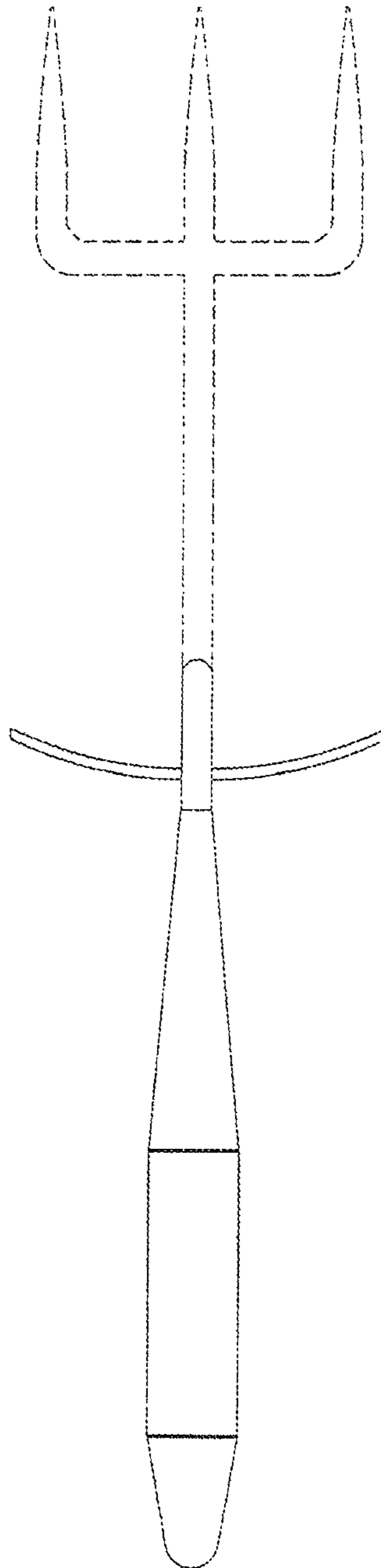


FIGURE 14

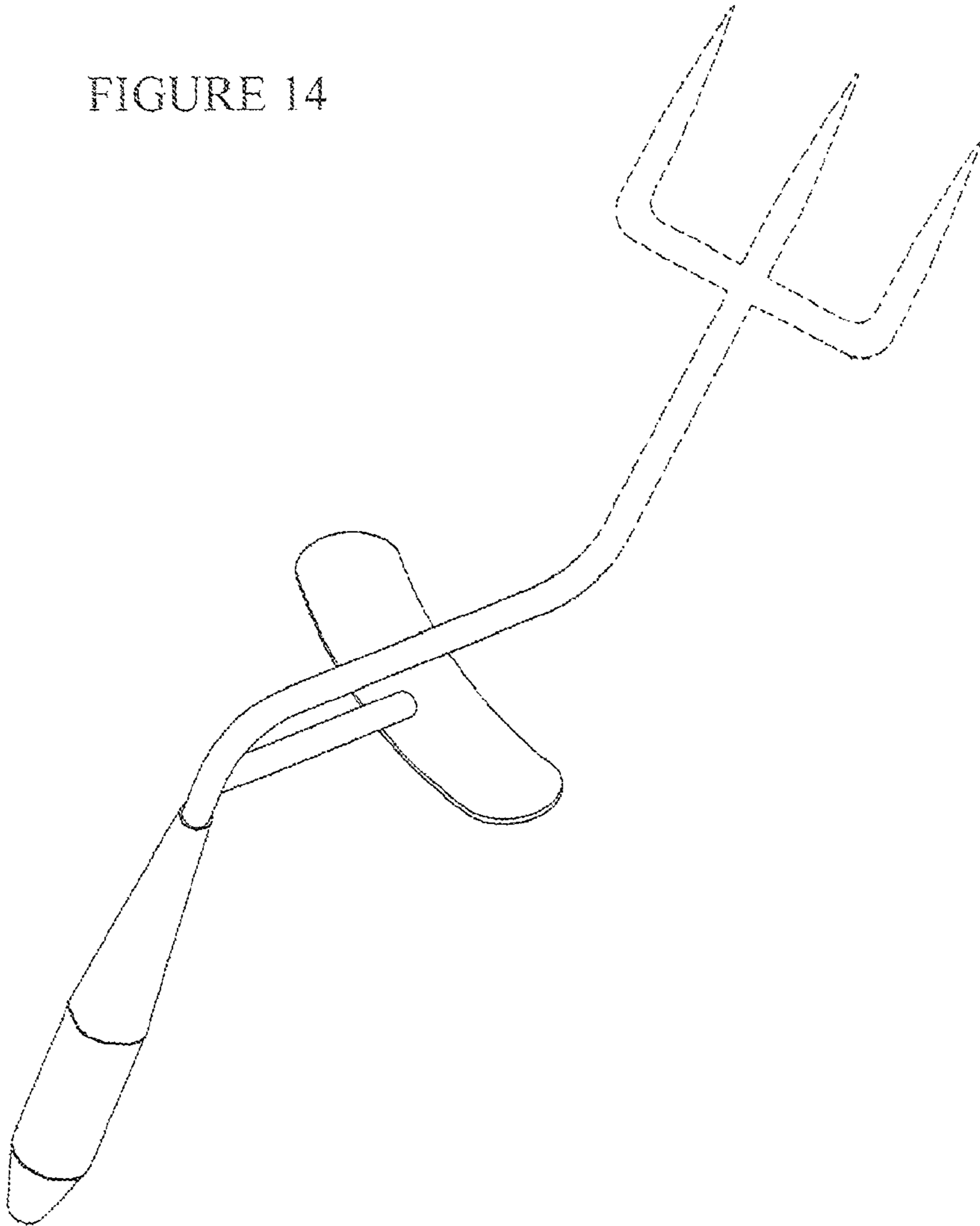


FIGURE 15

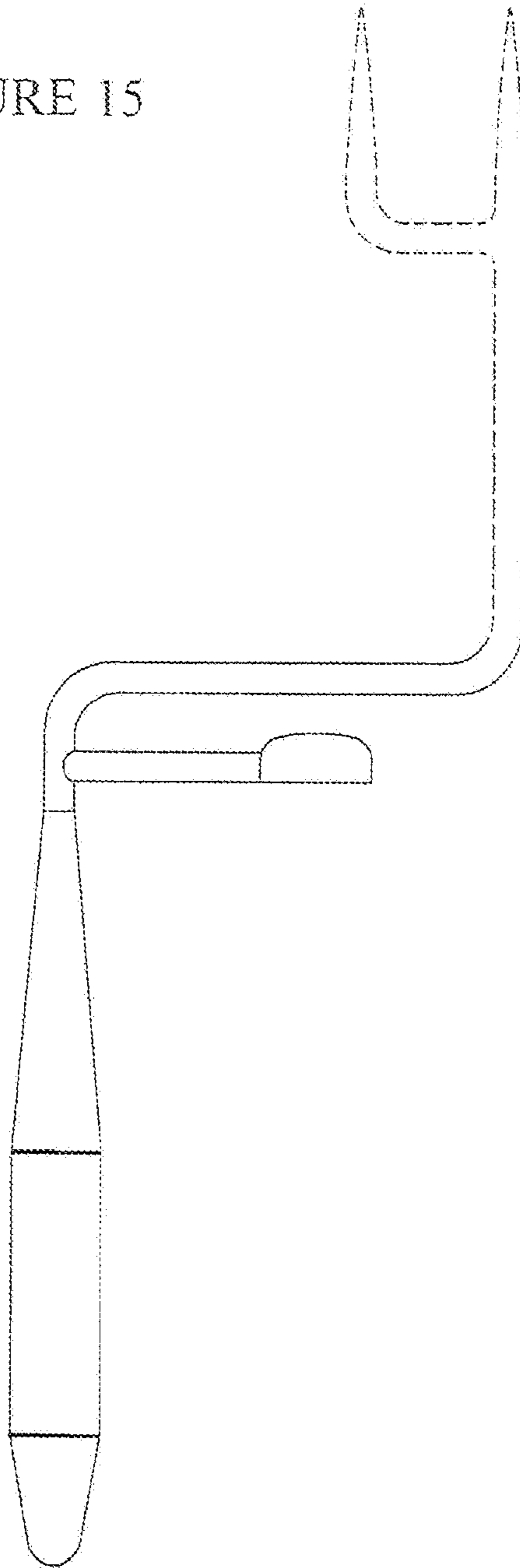


FIGURE 16

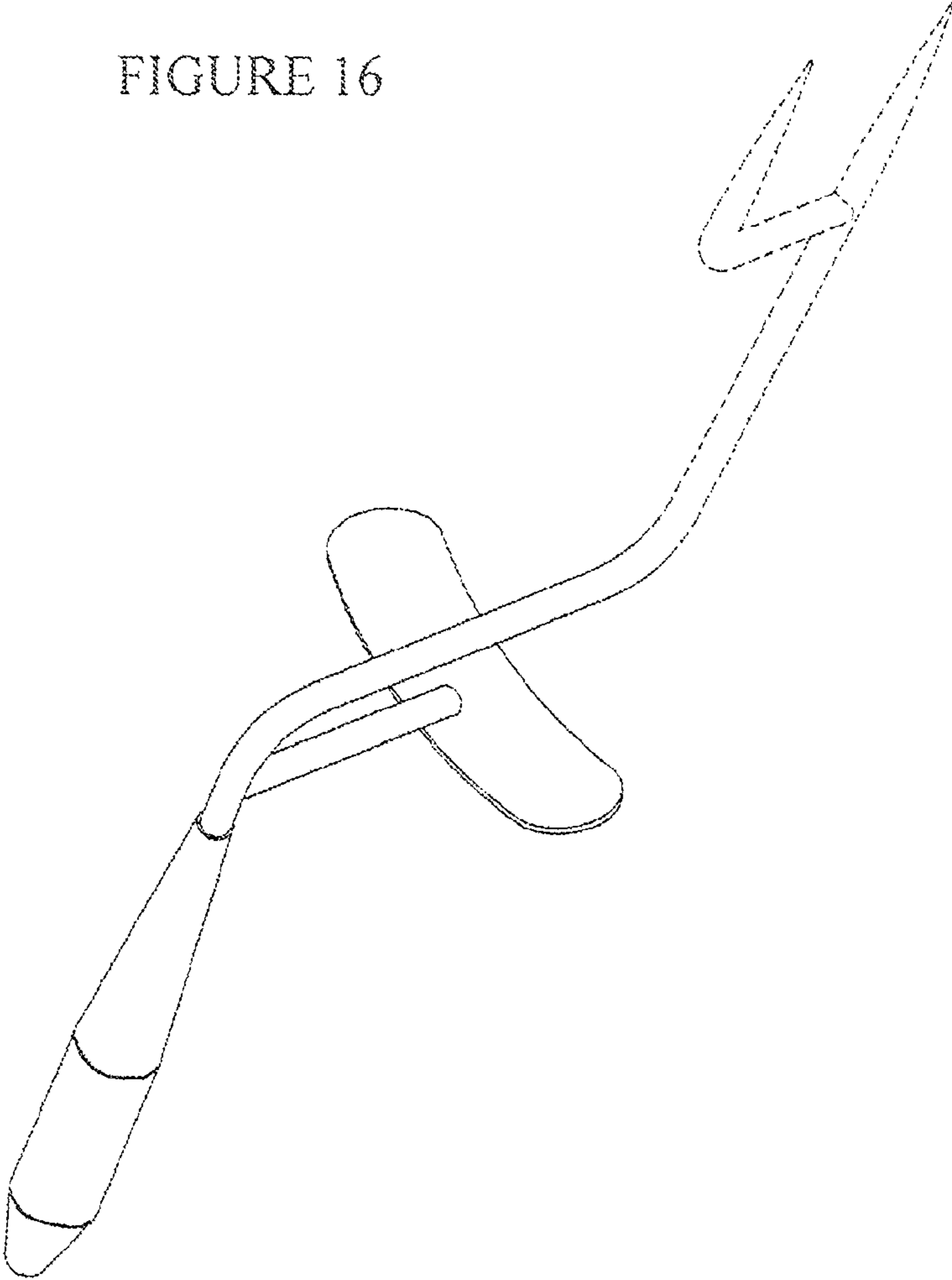
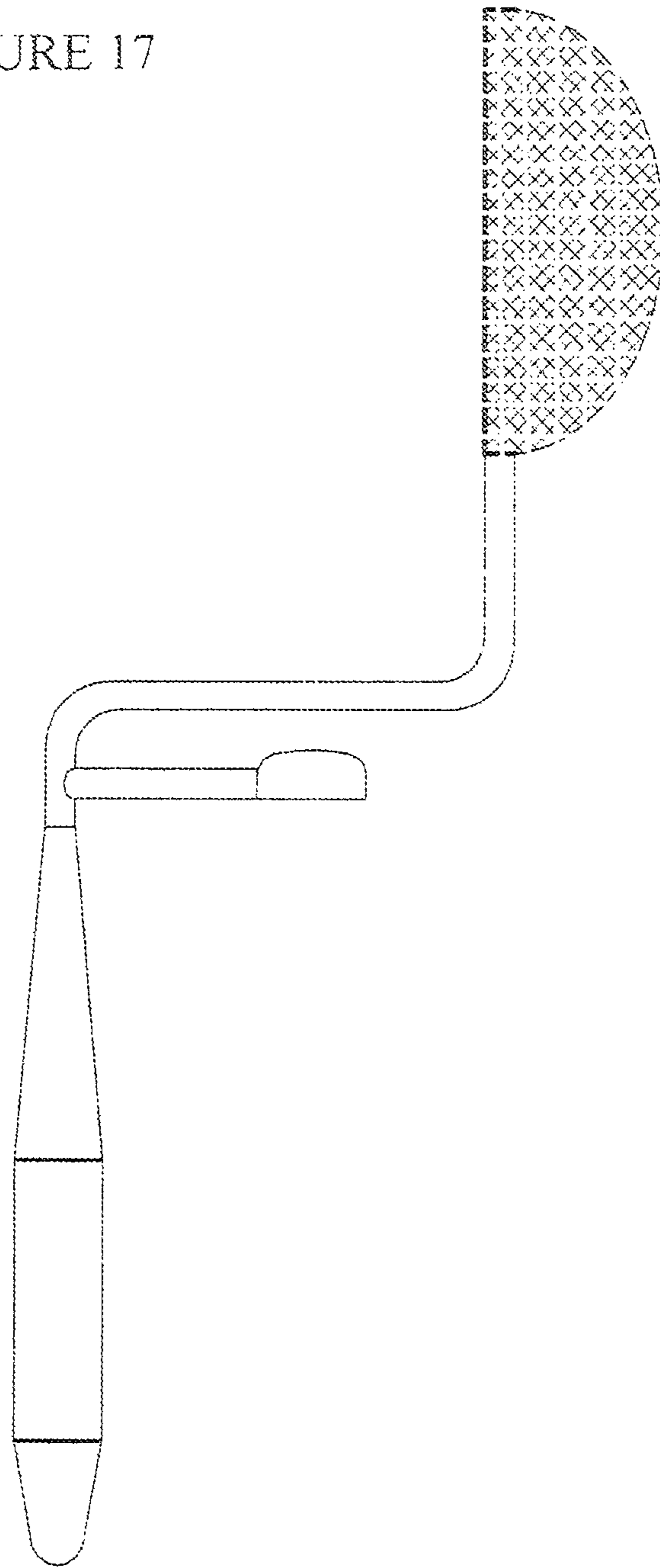


FIGURE 17



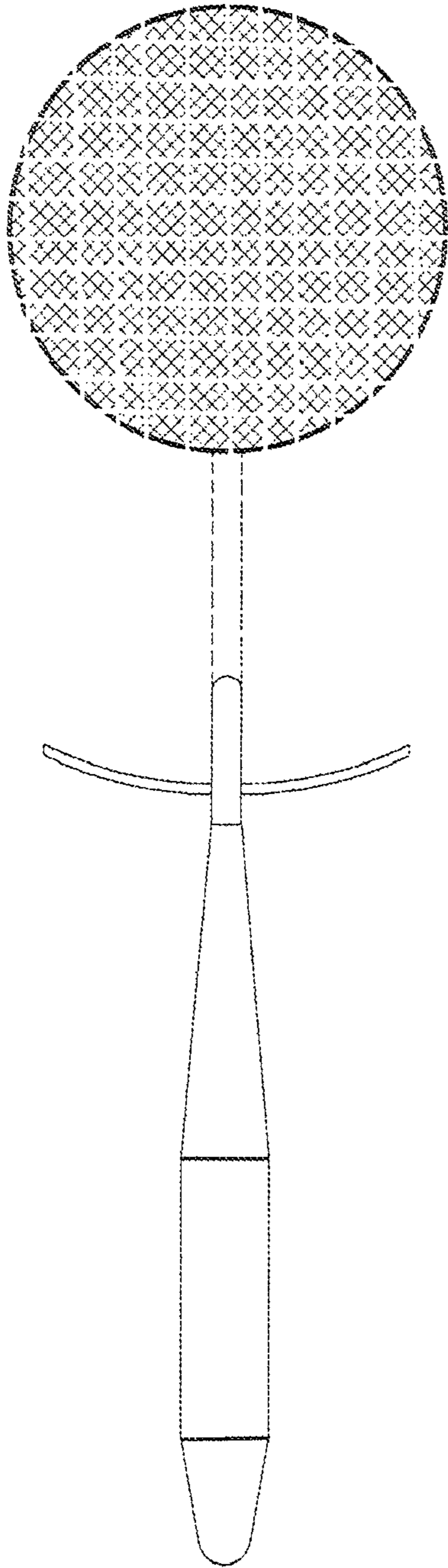


FIGURE 18

FIGURE 19

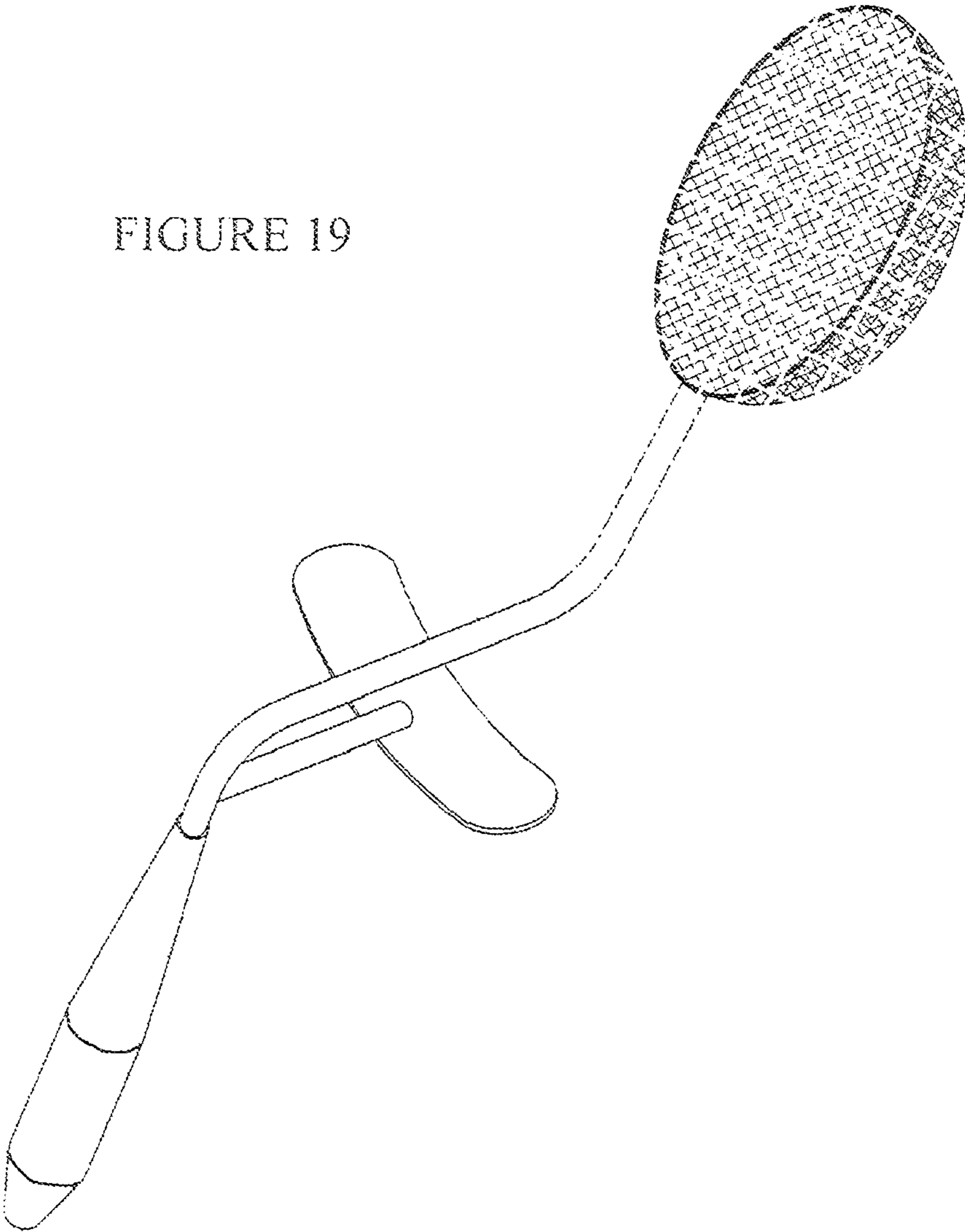


FIGURE 20

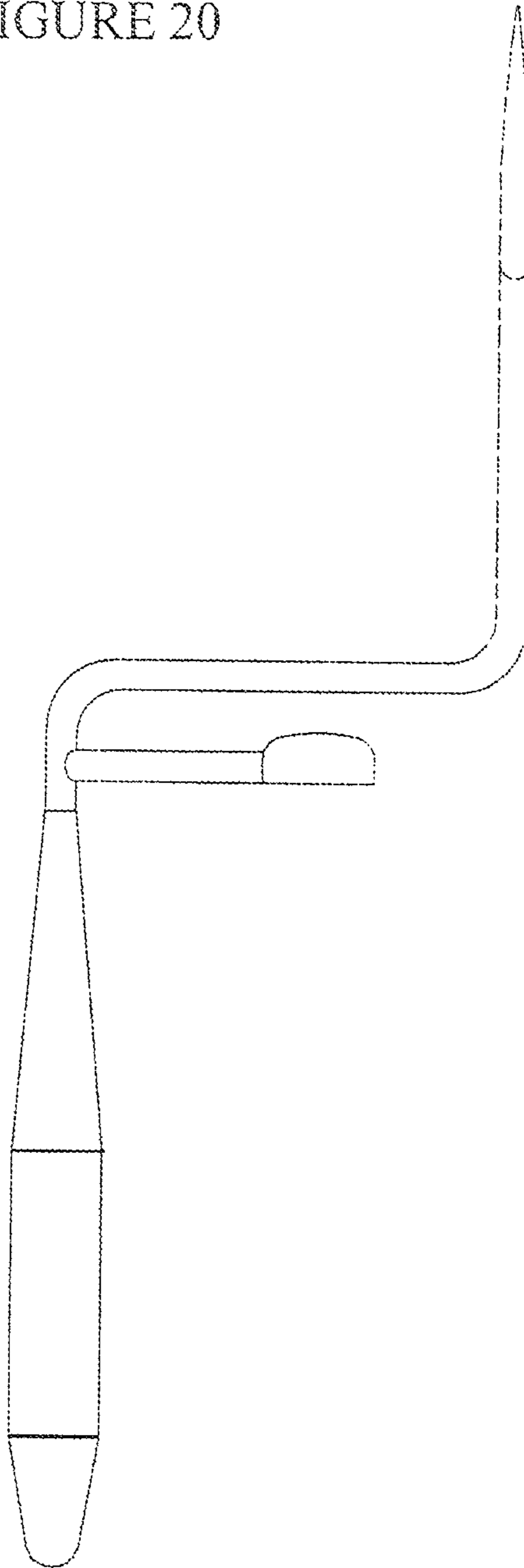


FIGURE 21

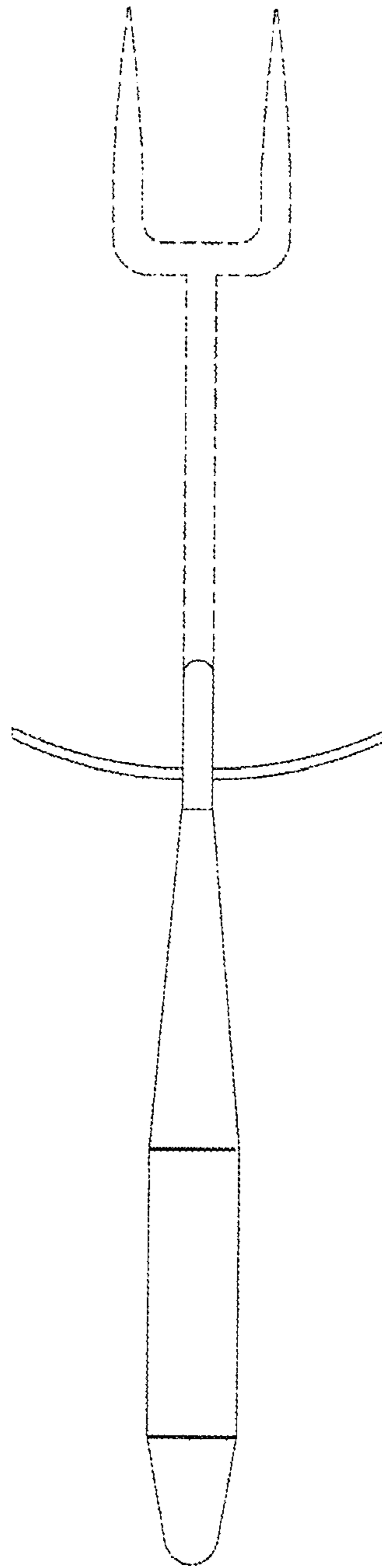


FIGURE 22

