



US00D696911S

(12) **United States Design Patent**  
**Goodman et al.**

(10) **Patent No.:** **US D696,911 S**  
(45) **Date of Patent:** **\*\* Jan. 7, 2014**

- (54) **NAPKIN HOLDER**
- (71) Applicant: **Spectrum Diversified Designs, Inc.**,  
Streetsboro, OH (US)
- (72) Inventors: **Sheldon H. Goodman**, Solon, OH (US);  
**Phaysouk Xayoiphonh**, Akron, OH (US)
- (73) Assignee: **Spectrum Diversified Designs, Inc.**,  
Streetsboro, OH (US)

D479,100 S *	9/2003	Ancona .....	D7/631
D484,008 S *	12/2003	Goodman et al. ....	D7/631
D519,000 S *	4/2006	Goodman et al. ....	D7/631
D563,734 S *	3/2008	Snell .....	D7/631
D594,286 S *	6/2009	Goodman et al. ....	D7/631
D633,343 S *	3/2011	Goodman et al. ....	D7/631

\* cited by examiner

*Primary Examiner* — Terry Wallace

(74) *Attorney, Agent, or Firm* — Renner, Otto, Boisselle & Sklar LLP

(\*\*) Term: **14 Years**

(57) **CLAIM**

The ornamental design for a napkin holder, as shown and described.

(21) Appl. No.: **29/444,500**

**DESCRIPTION**

(22) Filed: **Jan. 31, 2013**

(51) **LOC (10) Cl.** ..... **07-06**

(52) **U.S. Cl.**  
USPC ..... **D7/631**

(58) **Field of Classification Search**  
USPC ..... D7/631–634, 704, 600.1–600.4;  
D19/90, 86, 75; D6/673, 675.2, 675.5,  
D6/676.5, 677.5, 678.4, 680.3; 211/181.1,  
211/85.31, 13.1, 41.1–41.4, 11, 126.9,  
211/133.5

See application file for complete search history.

FIG. 1 is a perspective view of a first embodiment of a napkin holder showing my new design;  
FIG. 2 is a front view of the napkin holder;  
FIG. 3 is a rear view of the napkin holder;  
FIG. 4 is a left side view of the napkin holder;  
FIG. 5 is a right side view of the napkin holder;  
FIG. 6 is a top view of the napkin holder;  
FIG. 7 is a bottom view of the napkin holder; and,  
FIG. 8 is a perspective view of a second embodiment of the napkin holder, which is the same as the first embodiment except for the shape of the wire; and,  
FIG. 9 is a cross-sectional view of the napkin holder, taken along line 9-9 of FIG. 4.

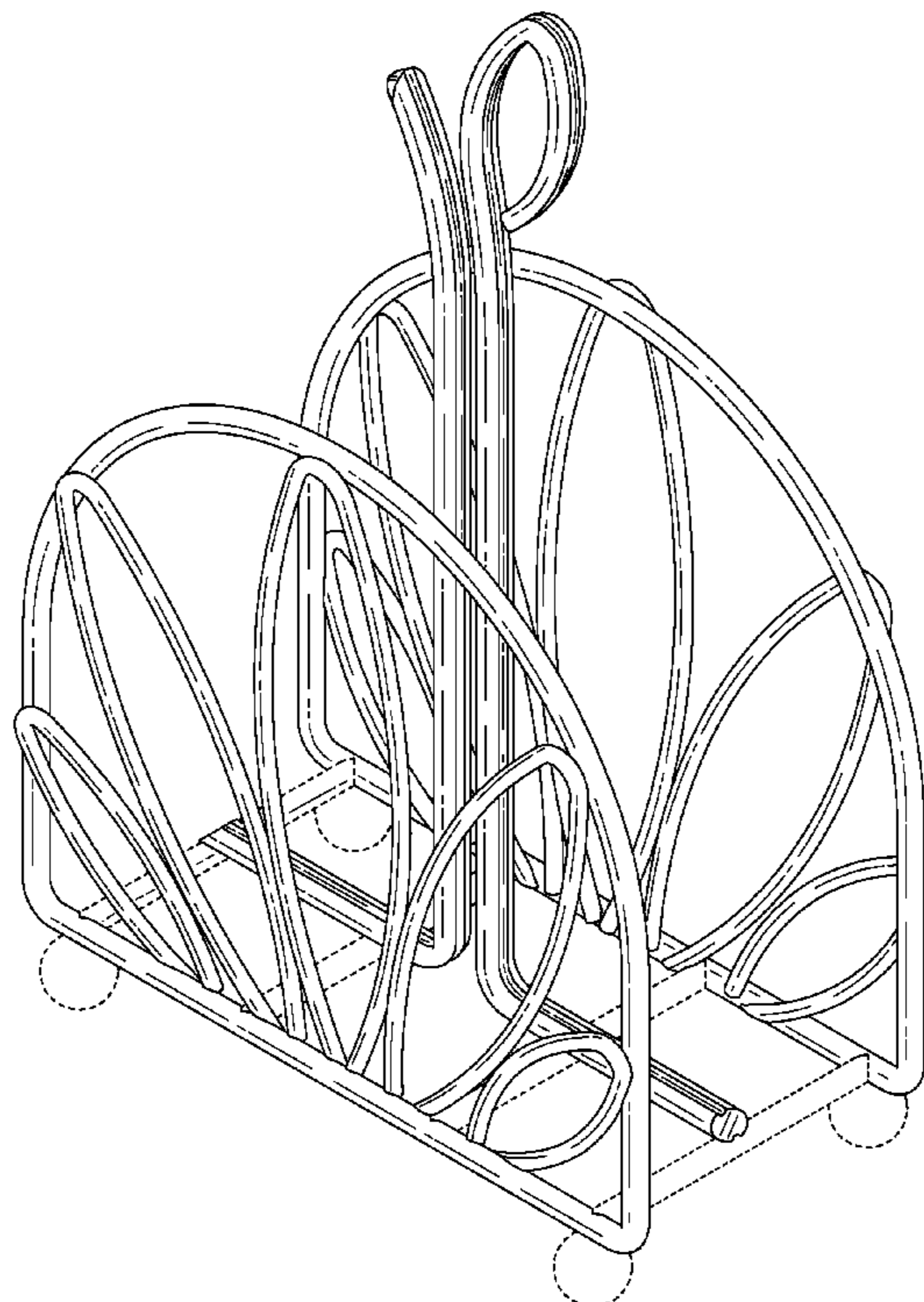
The broken lines in the drawing illustrate environmental matter and form no part of the claimed design.

(56) **References Cited**

U.S. PATENT DOCUMENTS

D421,062 S *	2/2000	Goodman et al. ....	D19/90
D436,463 S *	1/2001	Goodman et al. ....	D6/462
D456,177 S *	4/2002	Walker .....	D6/462

**1 Claim, 5 Drawing Sheets**



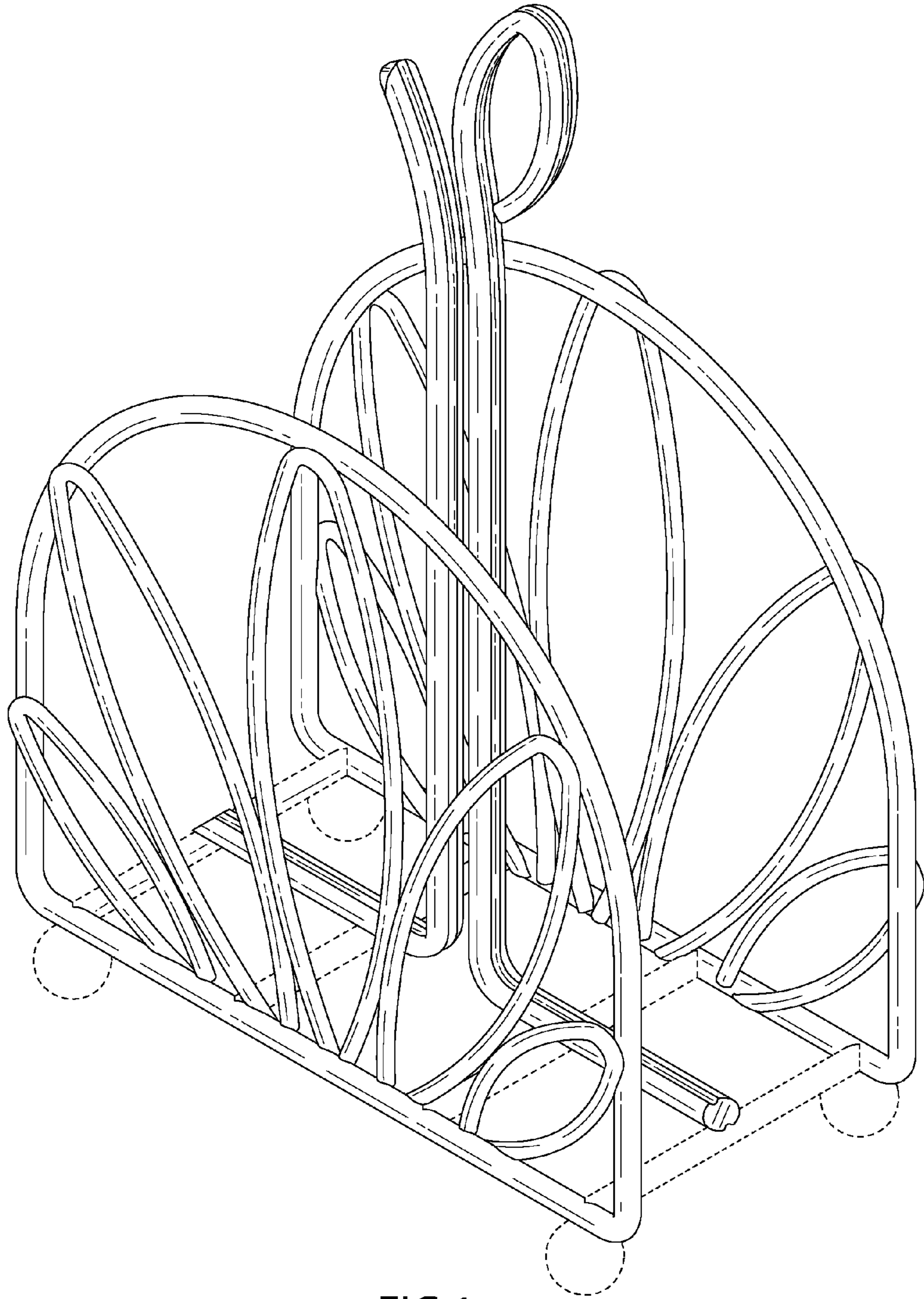


FIG 1

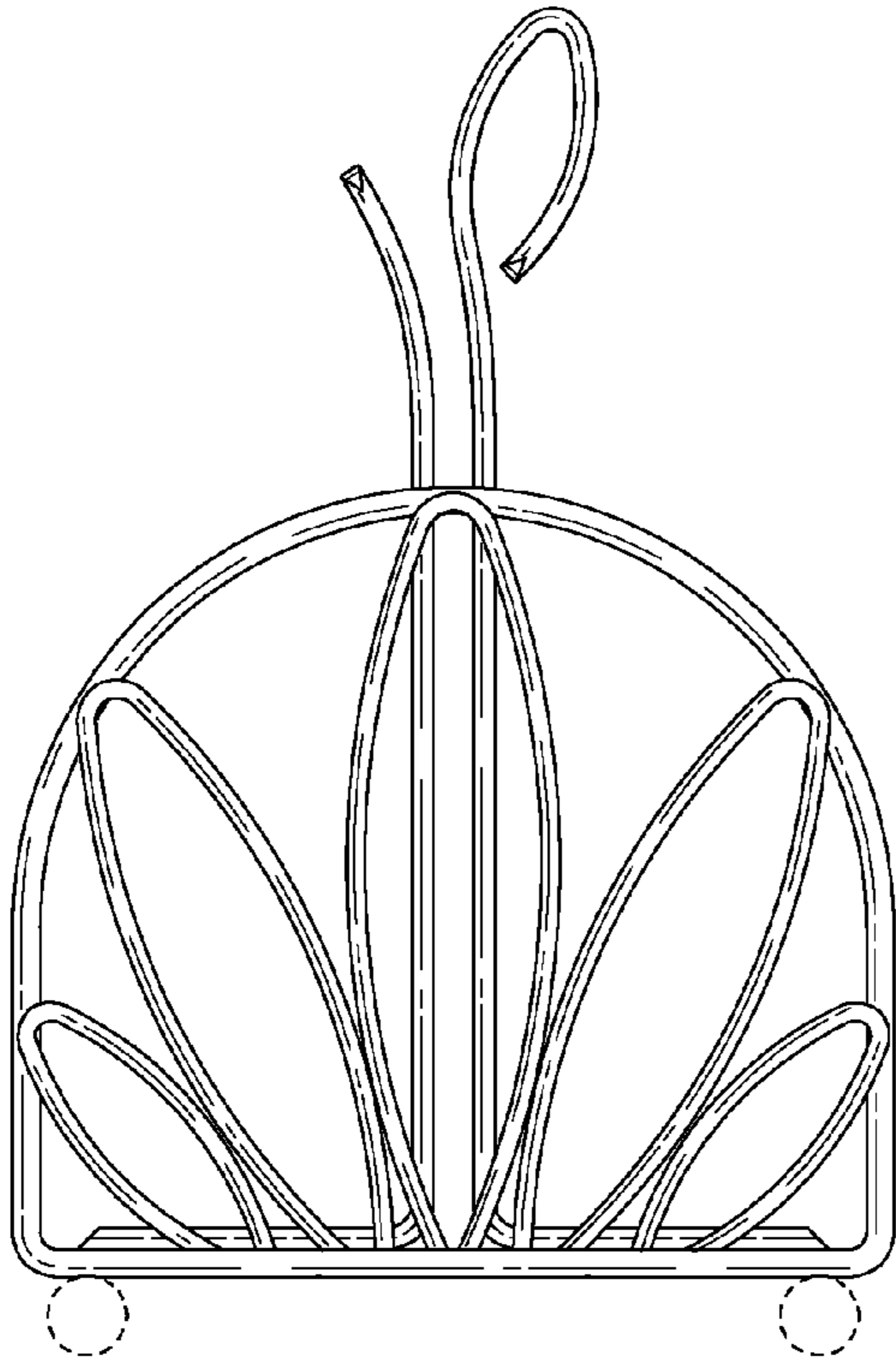


FIG 2

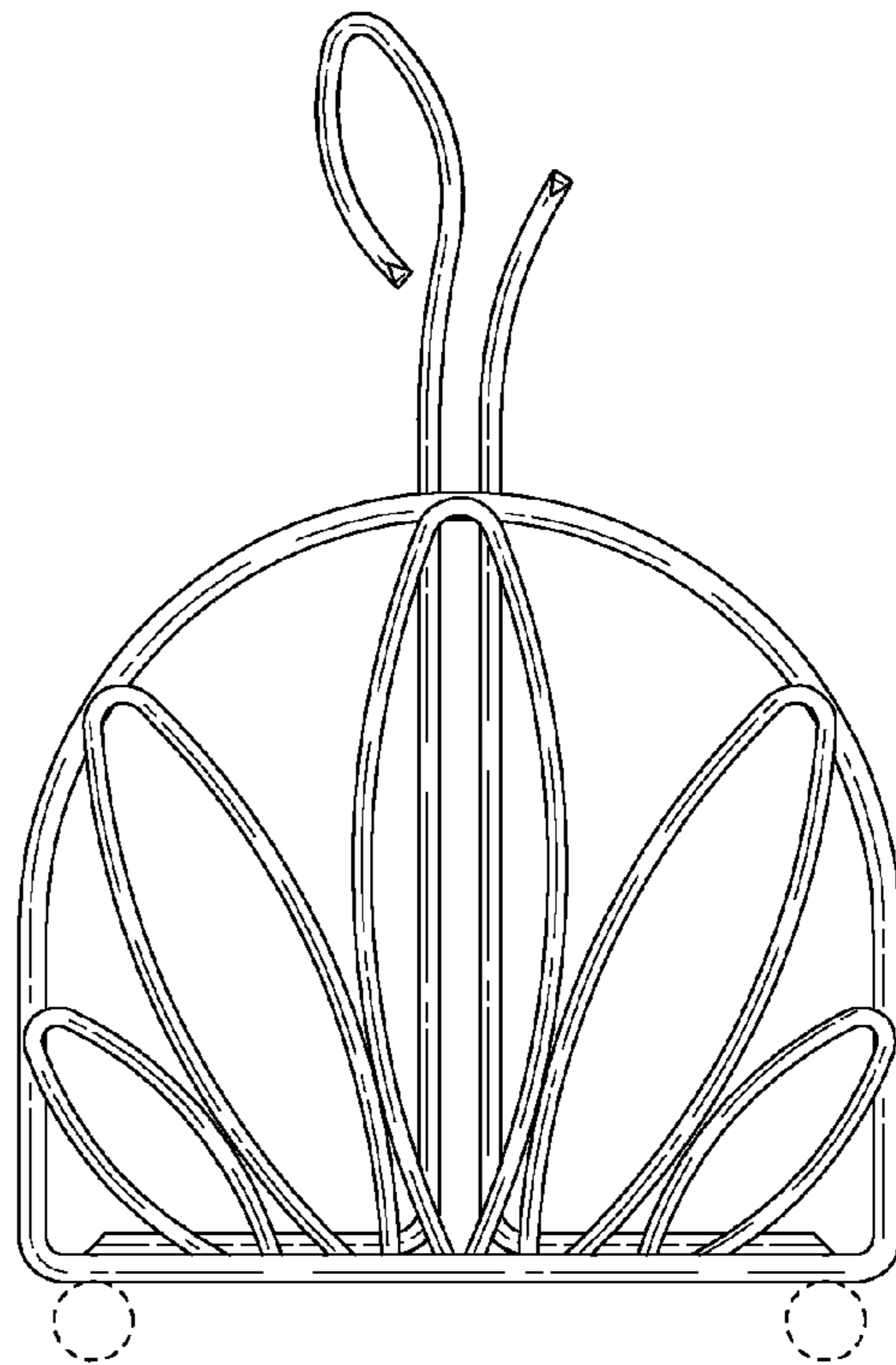


FIG 3

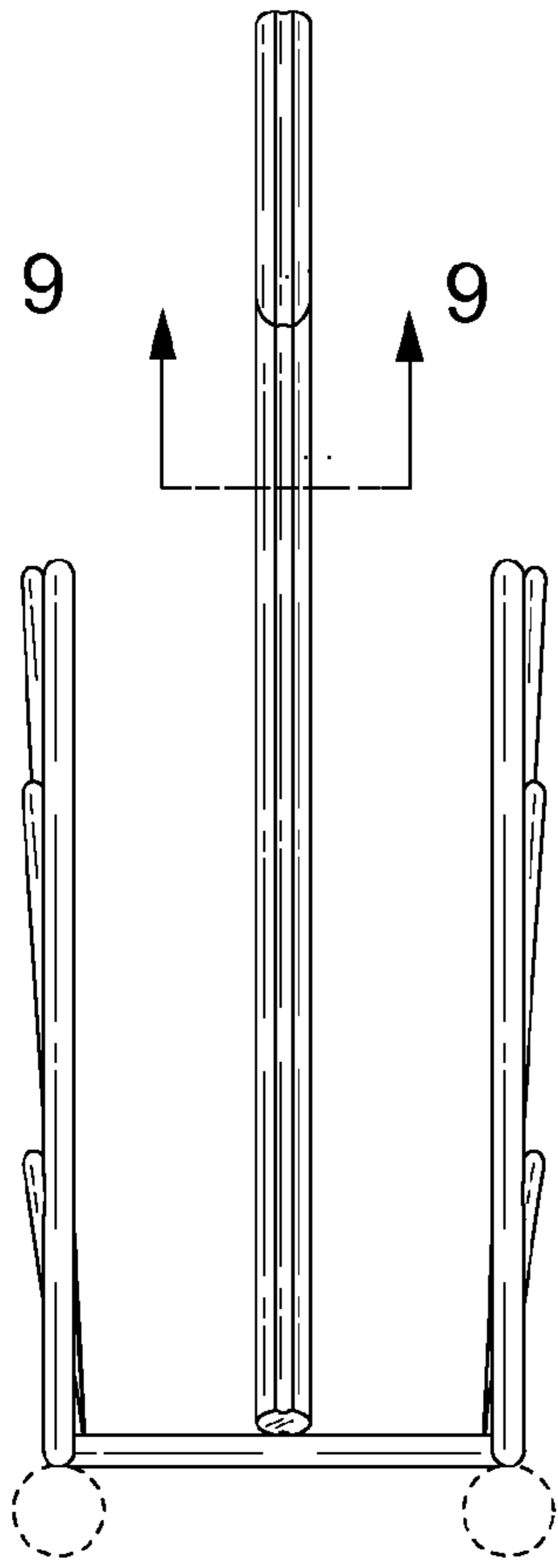


FIG 4



FIG 9

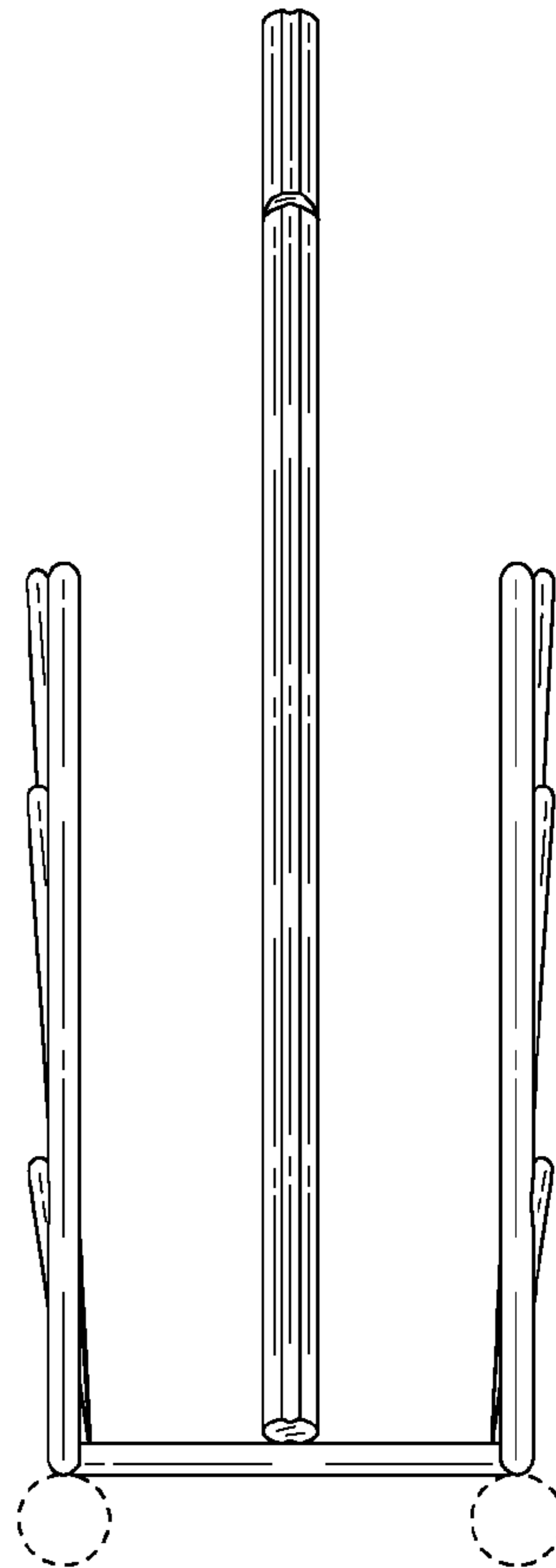


FIG 5

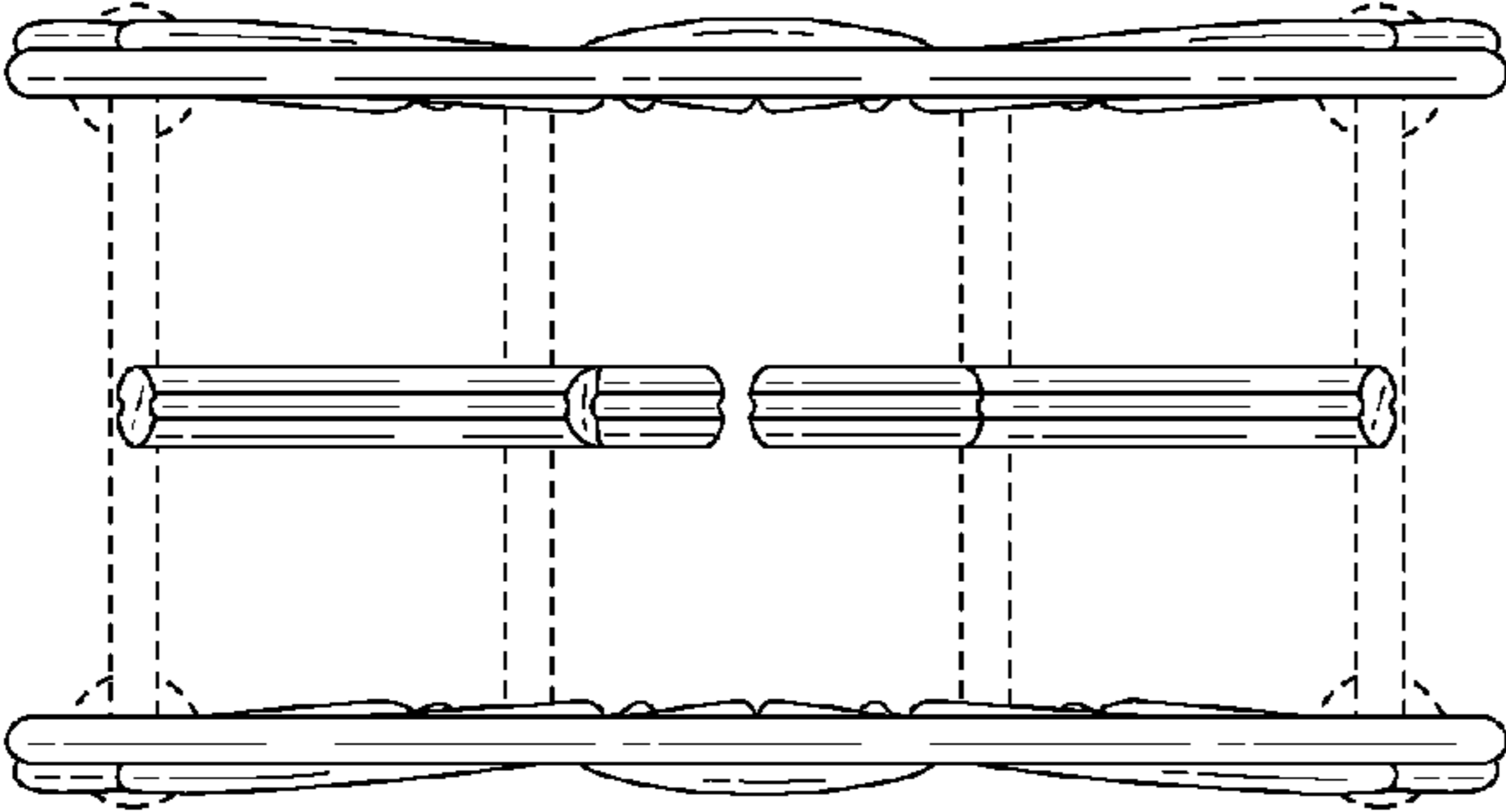


FIG 6

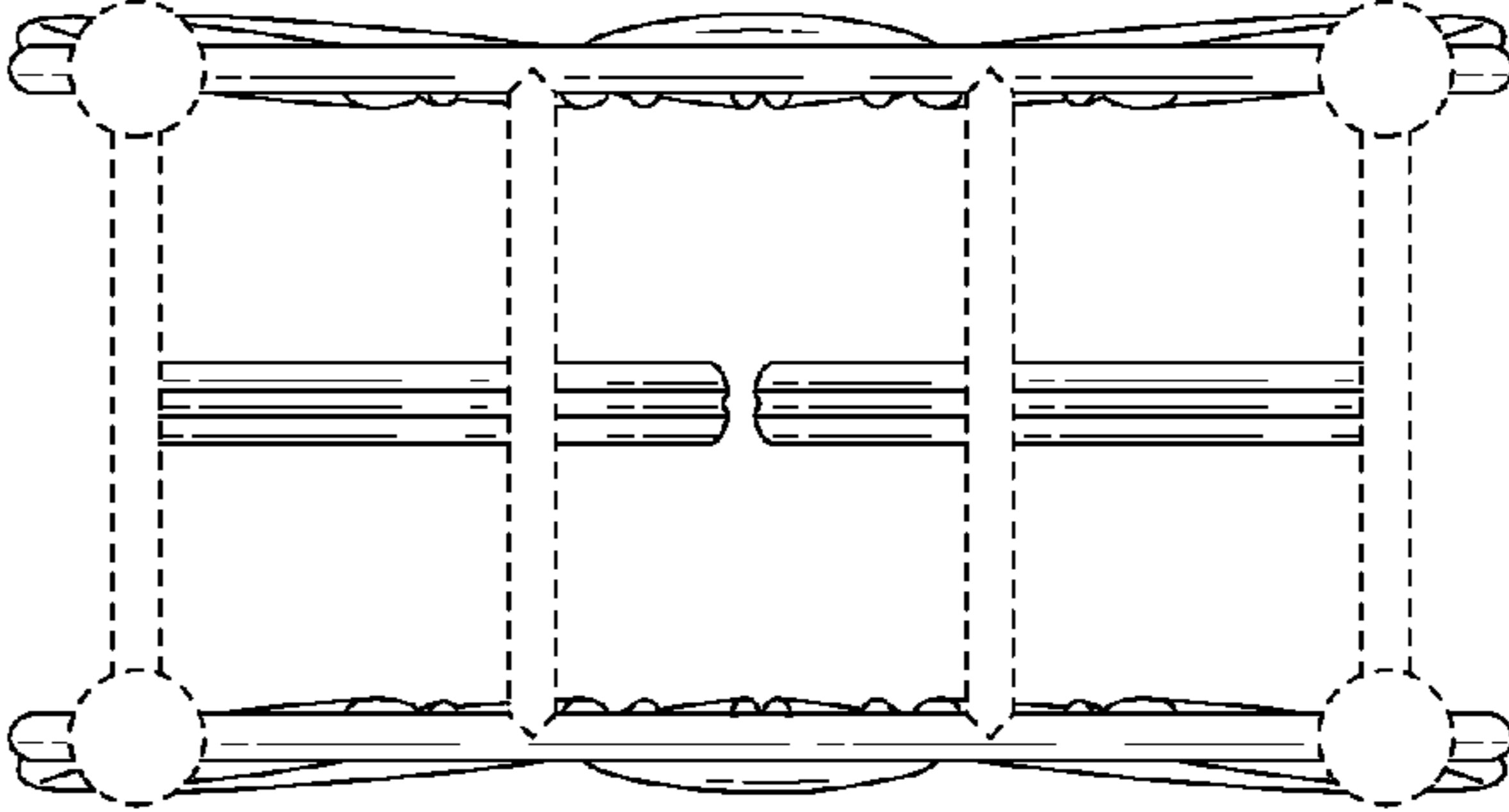


FIG 7



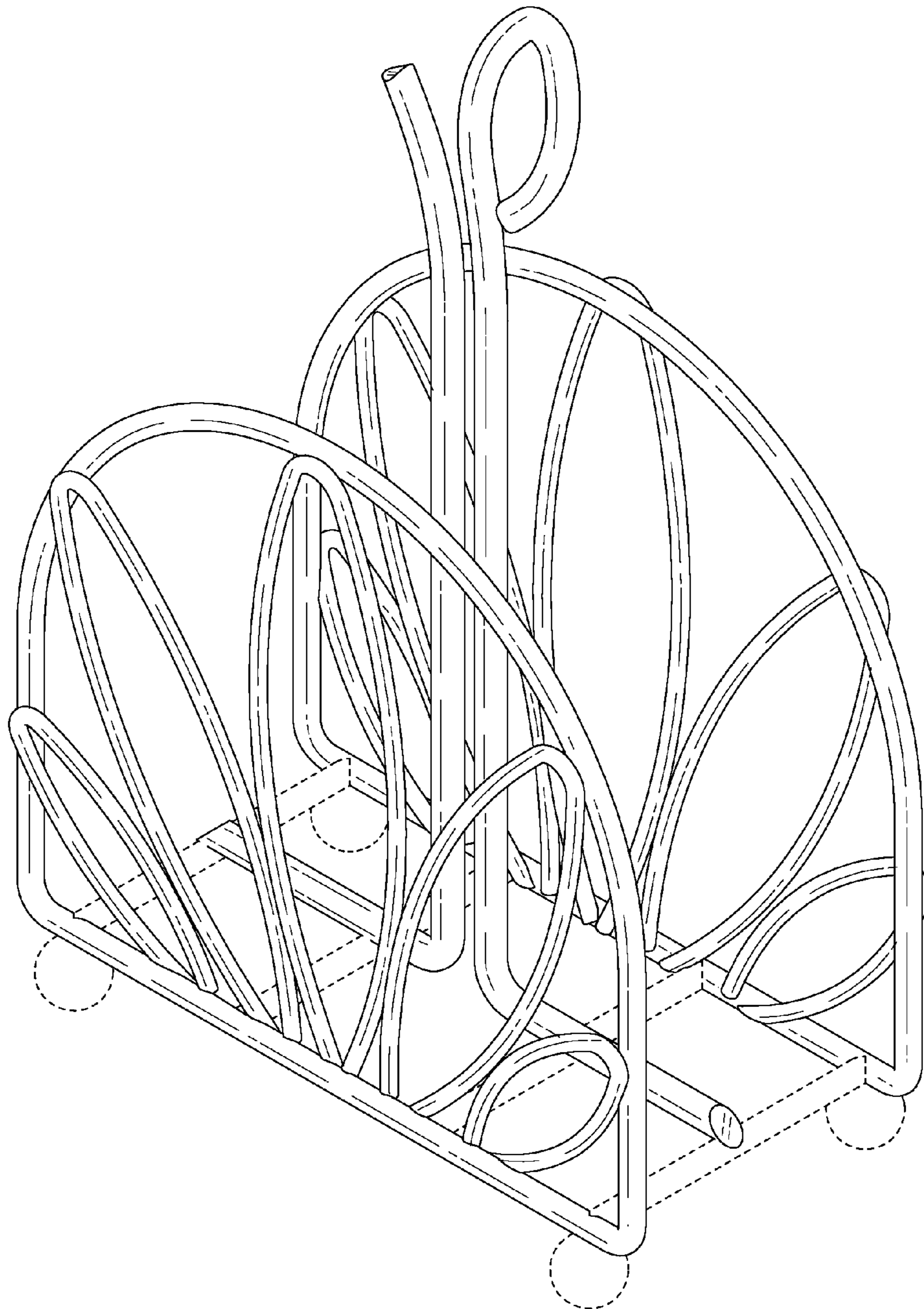


FIG 8