



US00D696910S

(12) **United States Design Patent**
Franczyk et al.

(10) **Patent No.:** **US D696,910 S**
(45) **Date of Patent:** **** Jan. 7, 2014**

(54) **FOOD CONTAINER**

(75) Inventors: **Erin Franczyk**, Naperville, IL (US);
Robert Michael Grennan, Naperville,
IL (US); **Miguel Cano**, Chicago, IL (US)

(73) Assignee: **Goodbyn, LLC**, Naperville, IL (US)

(**) Term: **14 Years**

(21) Appl. No.: **29/415,430**

(22) Filed: **Mar. 9, 2012**

(51) **LOC (10) Cl.** **07-01**

(52) **U.S. Cl.**
USPC **D7/629**

(58) **Field of Classification Search**
USPC D7/672, 601, 550.1, 551.1, 551.2,
D7/551.3, 552.1, 552.2, 553.1, 553.2,
D7/553.3, 553.4, 553.5, 553.7, 553.8,
D7/554.1, 554.3, 554.4, 555, 557, 602,
D7/629, 630, 538-542, 612-615, 584, 586,
D7/587, 392.1, 709, 502, 608, 622;
D9/424-432, 414-423; D3/273,
D3/201-206, 276, 283, 284, 295, 274,
D3/302; 229/107, 406, 120, 125.17, 4.5,
229/938; 220/669-673, 675, 574-575,
220/573.1, 4.21, 660, 326, 236, 780-795,
220/796-806, 4.24, 288, 260, 266, 306,
220/352, 356; 190/109, 110; 426/106;
206/216, 217, 541-550, 223, 467
See application file for complete search history.

(56) **References Cited**

U.S. PATENT DOCUMENTS

D157,699	S	*	3/1950	Pomeroy	D7/555
2,756,793	A	*	7/1956	Tupper	220/281
D224,553	S	*	8/1972	Swett et al.	D7/542
D256,557	S	*	8/1980	Ikushima et al.	D9/425
D257,555	S	*	11/1980	Ikushima et al.	D9/425
4,412,630	A	*	11/1983	Daenen	220/792

D378,563	S	*	3/1997	Ferris	D7/629
D411,741	S	*	6/1999	Wilson et al.	D9/425
D441,615	S	*	5/2001	Dretzka	D7/629
D442,484	S	*	5/2001	Maxwell et al.	D9/761
6,305,546	B1	*	10/2001	Saunders et al.	206/541
D450,983	S	*	11/2001	Tucker et al.	D7/629
D451,769	S	*	12/2001	Stanos et al.	D7/629
D489,975	S	*	5/2004	Jackson et al.	D9/425
D490,278	S	*	5/2004	Welsh	D7/629
D496,560	S	*	9/2004	Lerner	D7/629
D501,764	S	*	2/2005	Lerner	D7/629
D505,839	S	*	6/2005	Stanos et al.	D7/629
D515,880	S	*	2/2006	Lerner	D7/629
D551,515	S	*	9/2007	Ablo et al.	D7/629
D568,693	S	*	5/2008	Furlong	D7/629
D568,694	S	*	5/2008	Furlong	D7/629
D573,846	S	*	7/2008	Moghavem	D7/629
D585,734	S	*	2/2009	Doliwa	D9/425
D596,499	S	*	7/2009	Willis et al.	D9/761
D606,395	S	*	12/2009	Franczyk et al.	D9/756
D606,402	S	*	12/2009	Diss	D9/500

(Continued)

Primary Examiner — Rashida Johnson

Assistant Examiner — Shannon Morgan

(74) *Attorney, Agent, or Firm* — Christensen O'Connor
Johnson Kindness PLLC

(57) **CLAIM**

The ornamental design for a food container, as shown and described.

DESCRIPTION

FIG. 1 is a top perspective view of a food container showing our new design;

FIG. 2 is a bottom perspective view thereof;

FIG. 3 is a top plan view thereof;

FIG. 4 is a bottom plan view thereof;

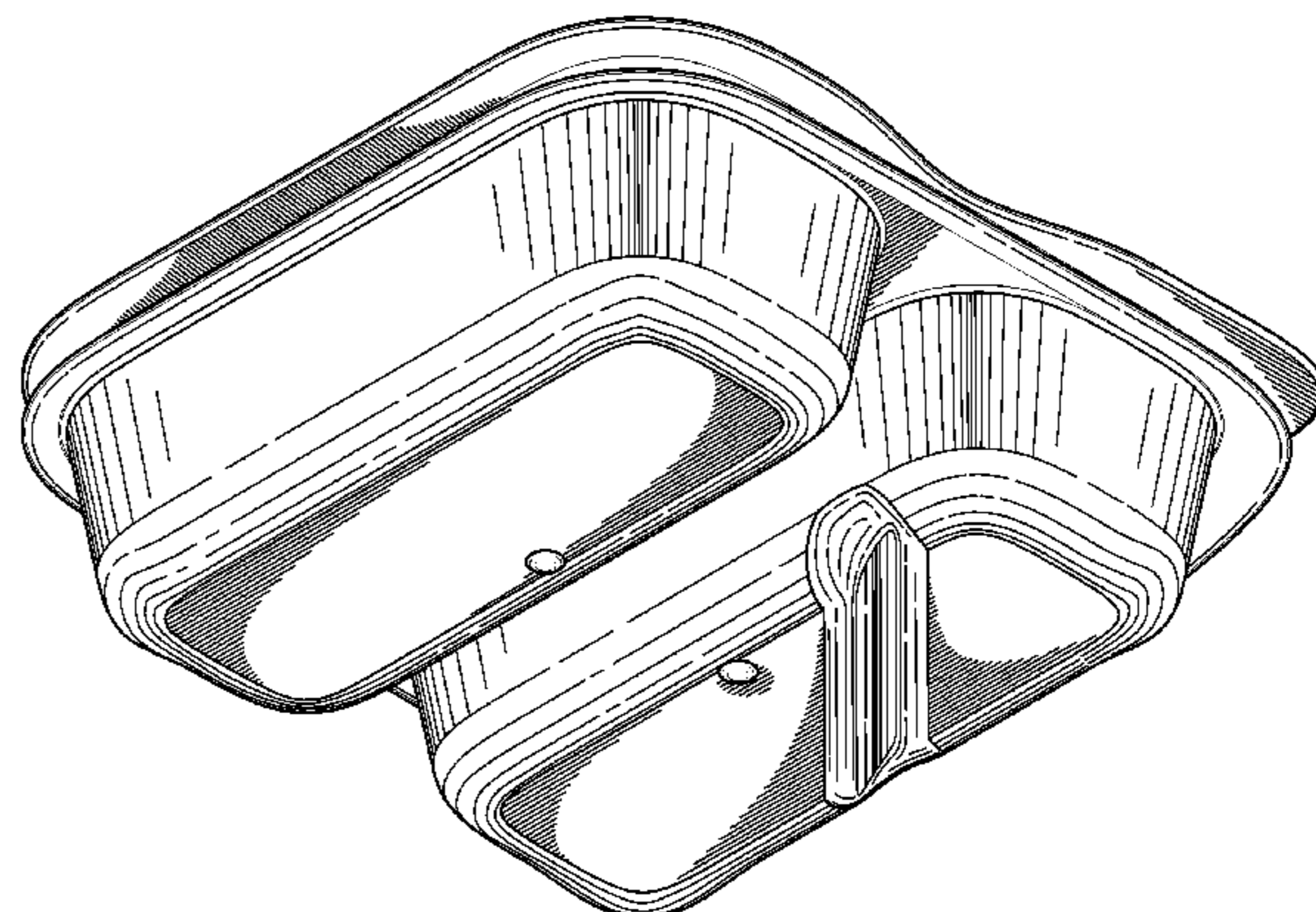
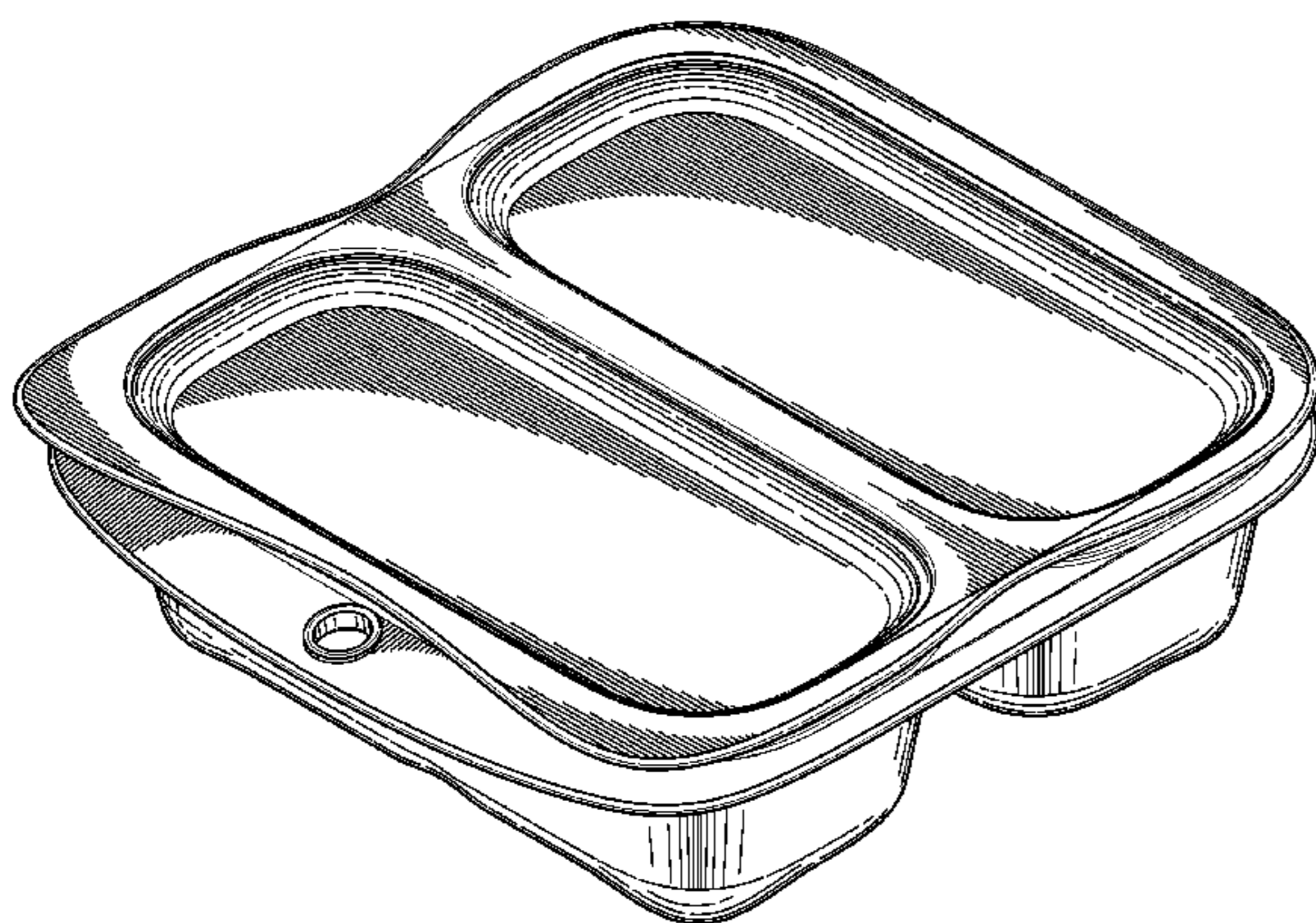
FIG. 5 is a front elevational view thereof;

FIG. 6 is a rear elevational view thereof;

FIG. 7 is a left side elevational view thereof; and,

FIG. 8 is a right side elevational view thereof.

1 Claim, 6 Drawing Sheets



US D696,910 S

Page 2

(56)

References Cited

U.S. PATENT DOCUMENTS

D611,807 S *	3/2010	Miga, Jr.	D9/424	D649,409 S *	11/2011	Segal	D7/629
D633,341 S *	3/2011	Smyers	D7/555	D663,170 S *	7/2012	Schlor	D7/665
D646,128 S *	10/2011	Cetti	D7/629	D666,058 S *	8/2012	Liang et al.	D7/541
				2007/0007298 A1 *	1/2007	Tucker et al.	220/791
				2010/0181323 A1 *	7/2010	Thaler et al.	220/574

* cited by examiner

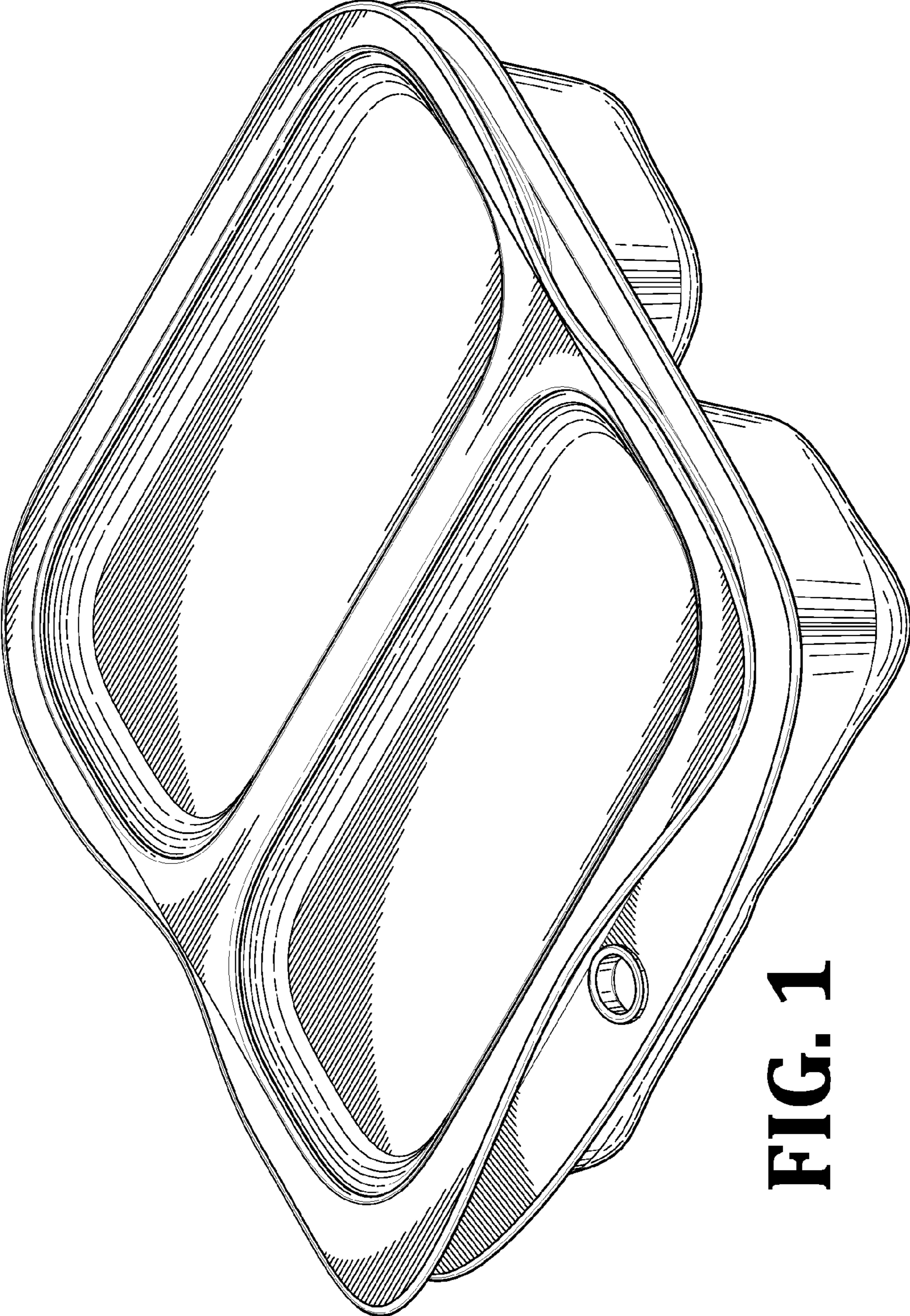


FIG. 1

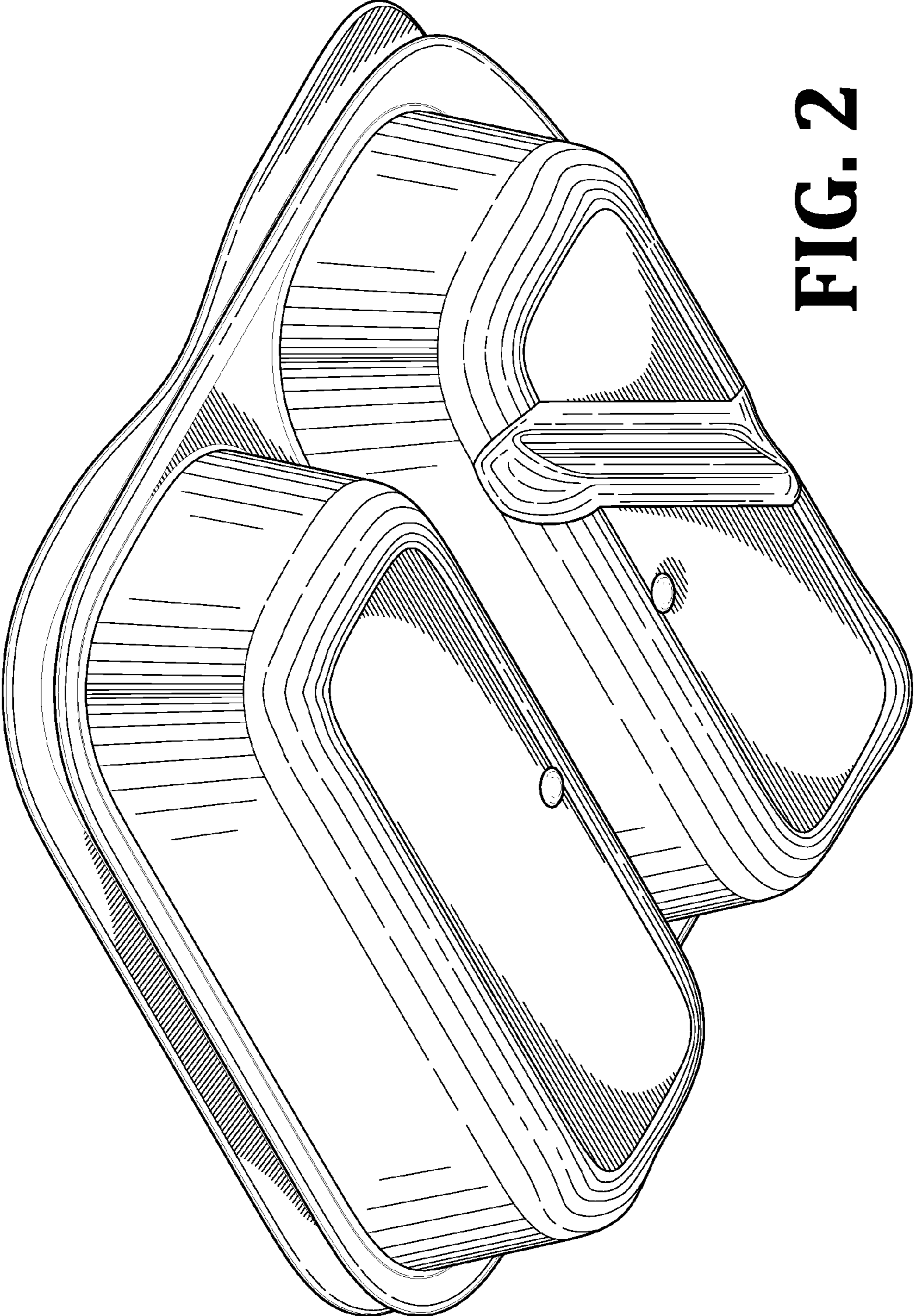


FIG. 2

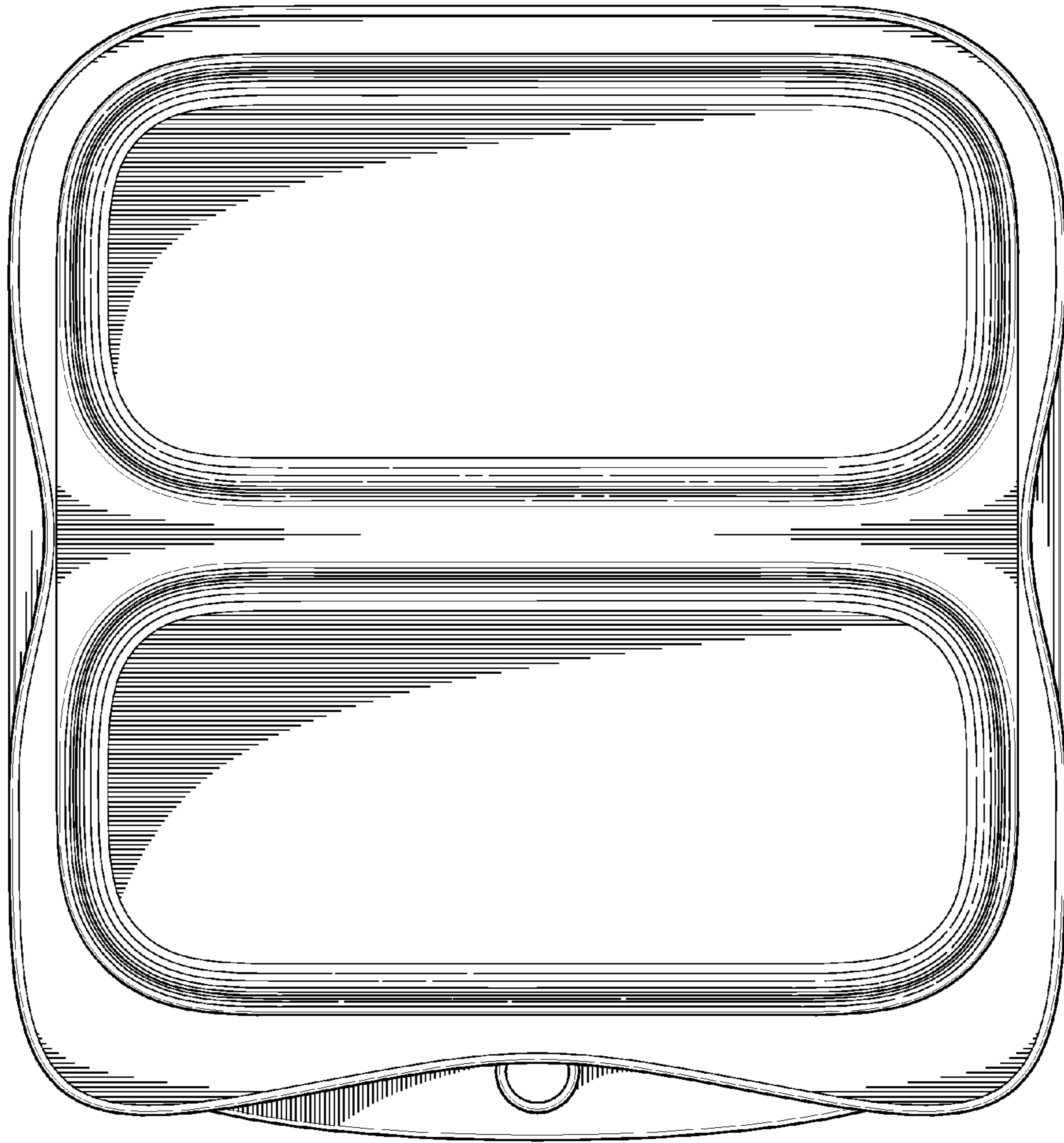


FIG. 3

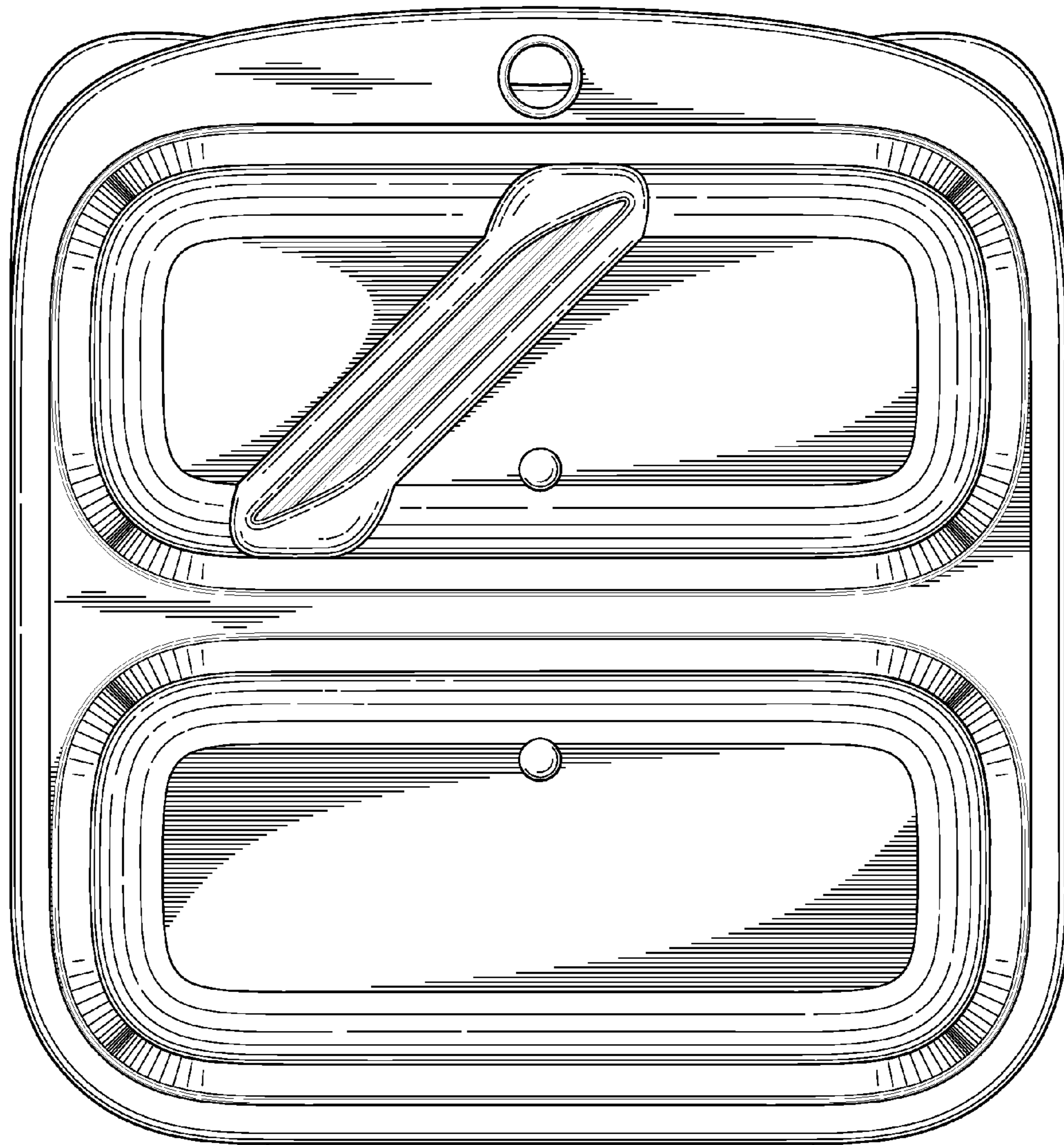


FIG. 4

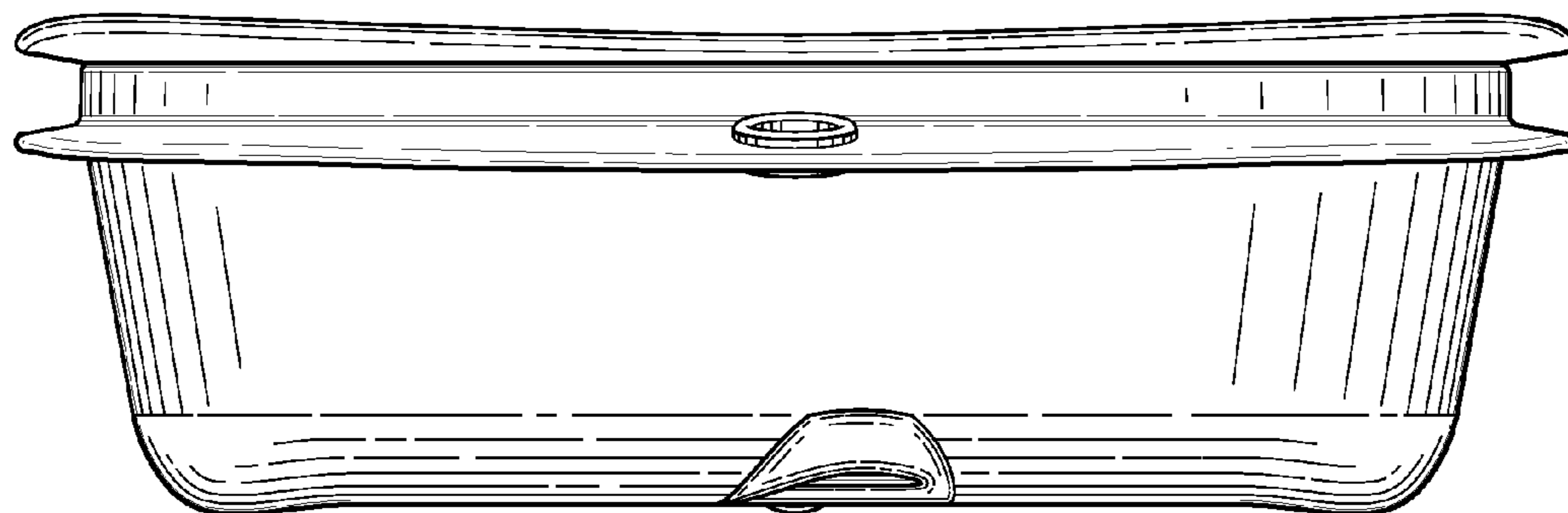


FIG. 5

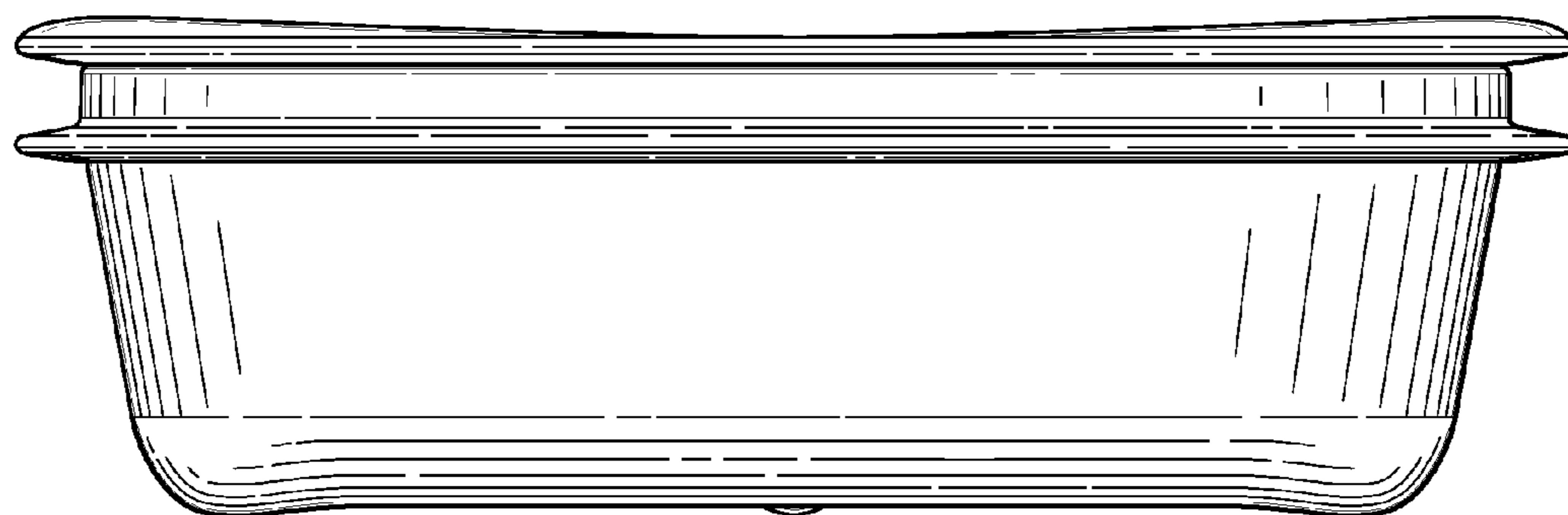


FIG. 6

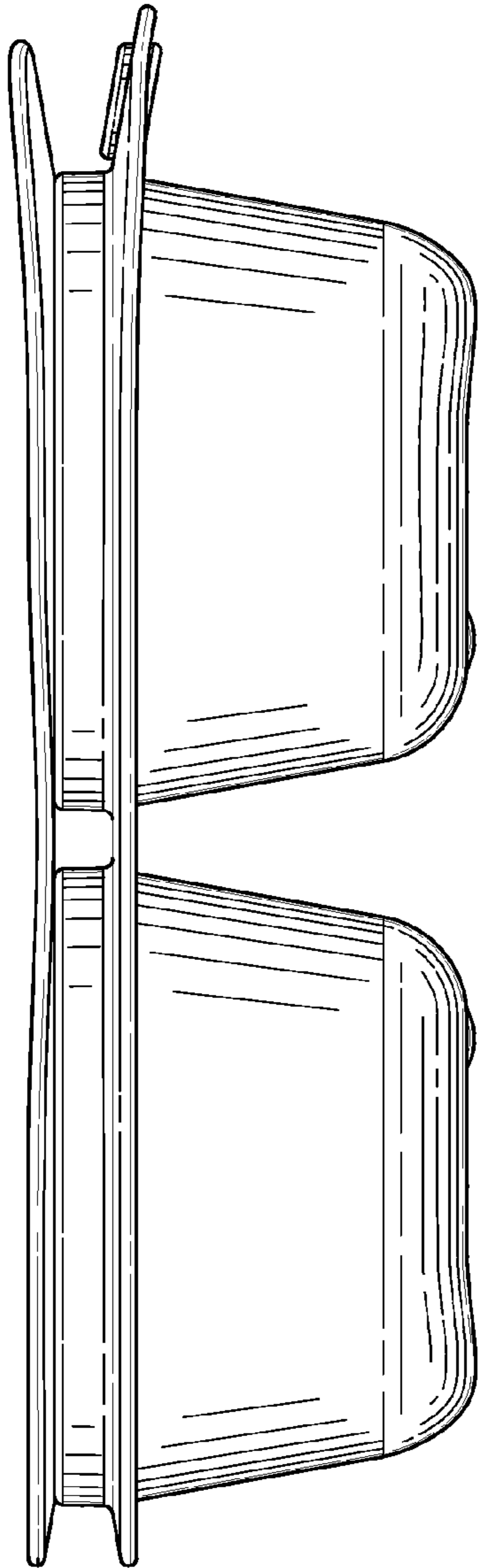


FIG. 7

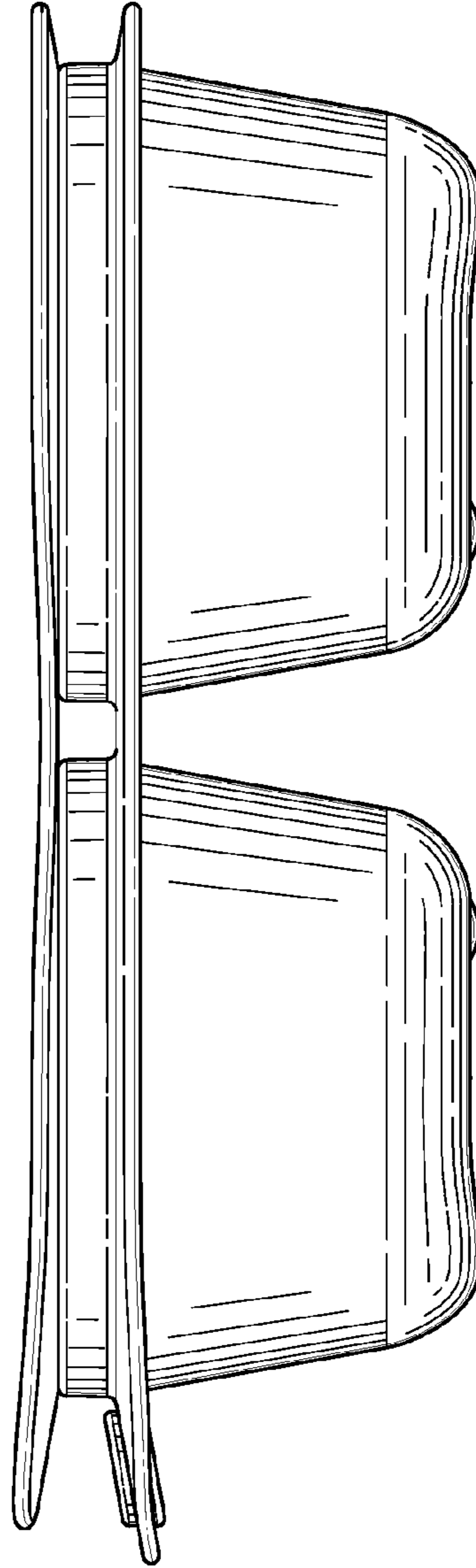


FIG. 8