



US00D696908S

(12) **United States Design Patent**
Hsu

(10) **Patent No.:** **US D696,908 S**
(45) **Date of Patent:** **** Jan. 7, 2014**

(54) **RACK FOR FOOD**

(71) Applicant: **Chien-Chi Hsu**, Taipei (TW)
(72) Inventor: **Chien-Chi Hsu**, Taipei (TW)
(73) Assignee: **Tessie Industrial Co., Ltd.**, Taipei (TW)
(**) Term: **14 Years**

(21) Appl. No.: **29/434,392**

(22) Filed: **Oct. 12, 2012**

(51) **LOC (10) Cl.** **07-06**

(52) **U.S. Cl.**
USPC **D7/600.1**

(58) **Field of Classification Search**

USPC D7/600.1-600.4, 590, 600, 602, 603,
D7/619.1, 701-708; D6/403, 405,
D6/512-517, 521, 525, 526, 527, 534, 537,
D6/539, 552, 557, 566, 570, 571, 572, 672,
D6/673, 674, 675, 675.1, 675.2, 675.3,
D6/677, 677.1, 676.5, 677.2, 675.5, 677.3,
D6/677.5, 678.4, 680, 680.2, 680.3, 681;
211/14, 59.2, 70.6, 70.7, 71.01, 74, 75,
211/77, 78, 85.26, 85.4, 85.5, 106, 126.7,
211/129.1, 131.1, 133.1, 133.2, 133.4,
211/133.5, 133.6; D9/739, 741, 744, 747;
220/23.83, 23.88; 221/92, 221, 223,
221/224, 225, 197, 283, 303, 305, 46
See application file for complete search history.

(56) **References Cited**

U.S. PATENT DOCUMENTS

D90,492 S * 8/1933 Levinsohn D6/462
D125,787 S * 3/1941 Schutz D6/458
D153,090 S * 3/1949 Sexton D7/704
D175,057 S * 6/1955 Winzen D6/397
D222,008 S * 9/1971 Ivory D6/458
D225,191 S * 11/1972 Russo D6/458
D233,142 S * 10/1974 Sill D12/115

D332,191 S * 1/1993 Axhamre D6/458
D476,502 S * 7/2003 Sparkowski D6/408
D536,936 S * 2/2007 Tiemann D7/704
D544,308 S * 6/2007 Tiemann D7/590
D625,570 S * 10/2010 Melocchi D7/704
D627,988 S * 11/2010 Chapman et al. D6/462
D629,655 S * 12/2010 Tiemann D7/600.2
D632,136 S * 2/2011 Chen D7/600.1
D632,529 S * 2/2011 Chen D7/600.1
D634,137 S * 3/2011 Chapman et al. D6/458
D635,406 S * 4/2011 Chen D7/619.1
D636,643 S * 4/2011 Tiemann D7/702
D649,837 S * 12/2011 Chapman et al. D7/600.1
D650,240 S * 12/2011 Hertaus D7/600.2
D673,792 S * 1/2013 Hertaus D6/407
D679,955 S * 4/2013 Hsu D7/600.4
D680,385 S * 4/2013 Hsu D7/600.4
D688,919 S * 9/2013 Tiemann D7/600.4
2007/0045206 A1 * 3/2007 Tiemann 211/77

* cited by examiner

Primary Examiner — Ian Simmons

Assistant Examiner — Shannon Morgan

(74) *Attorney, Agent, or Firm* — Egbert Law Offices, PLLC

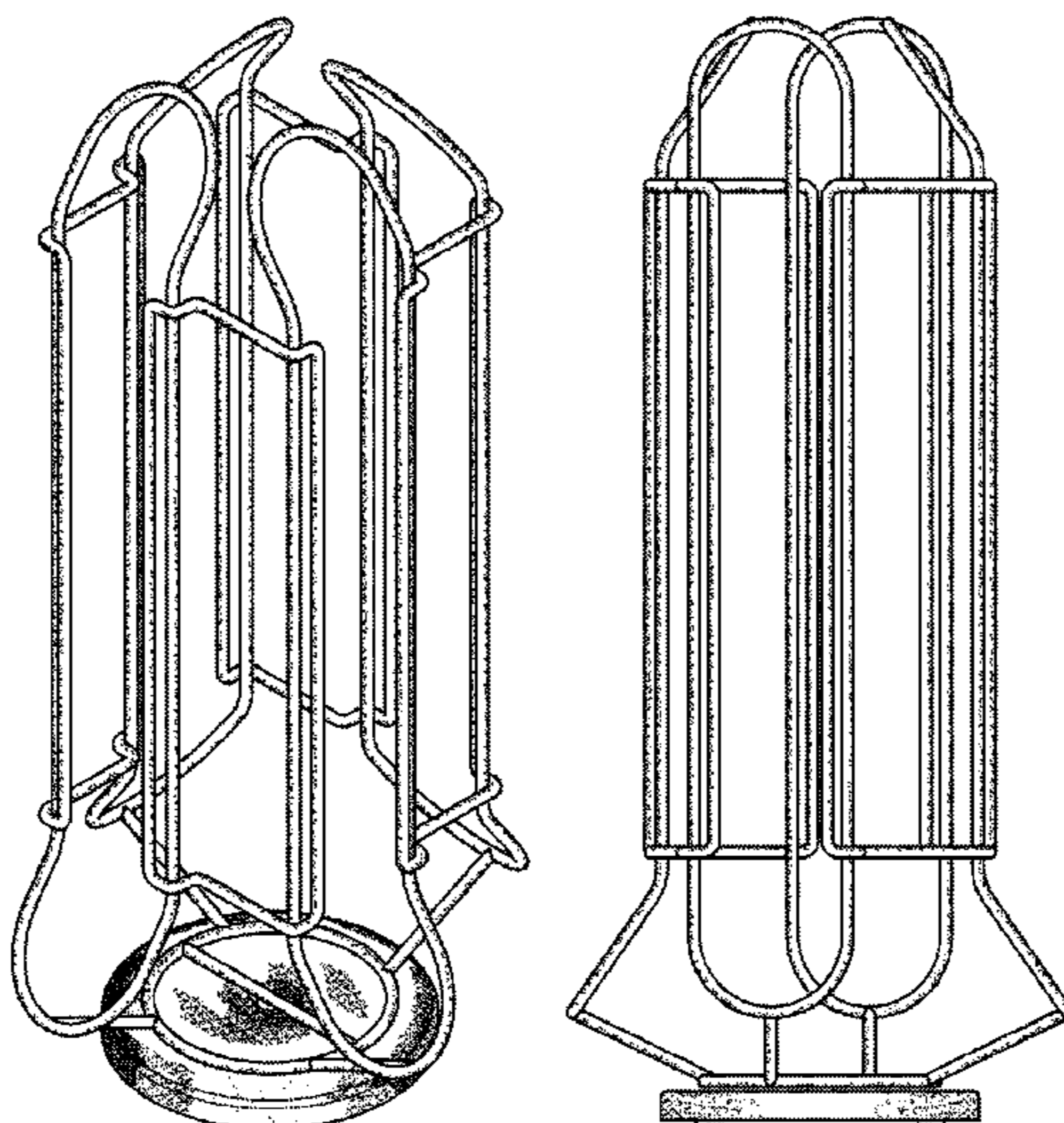
(57) **CLAIM**

The ornamental design for a rack for food, as shown and described.

DESCRIPTION

FIG. 1 is a top perspective view of a rack for food showing my new design;
FIG. 2 is a front elevational view thereof;
FIG. 3 is a rear elevational view thereof;
FIG. 4 is a right side elevational view thereof;
FIG. 5 is a left side elevational view thereof;
FIG. 6 is a top plan view thereof;
FIG. 7 is a bottom plan view thereof; and,
FIG. 8 is a top perspective view shown in use thereof.
The broken lines in FIG. 8 showing a cup of the rack for food are for the purpose of illustrating environment, and form no part of the claimed design.

1 Claim, 8 Drawing Sheets



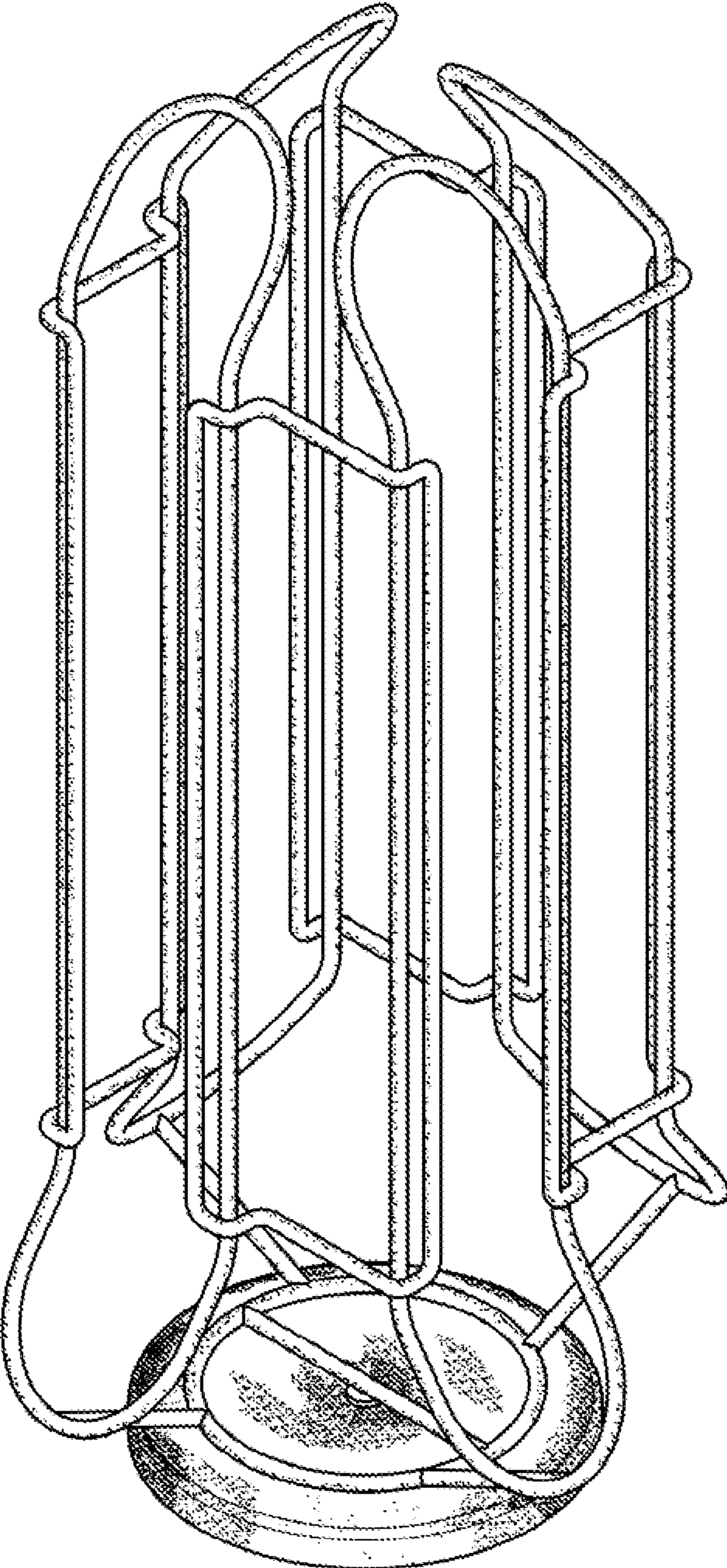


FIG. 1

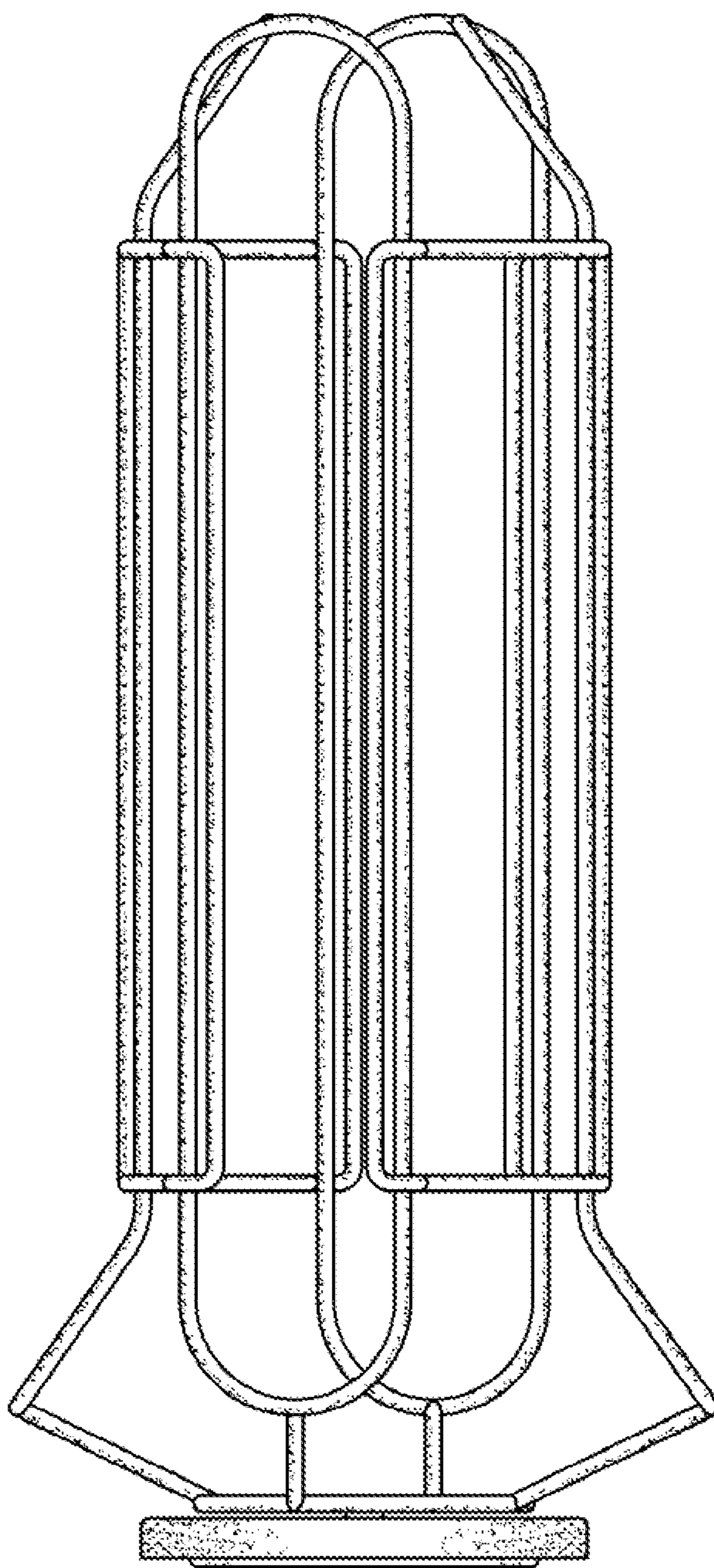


FIG. 2

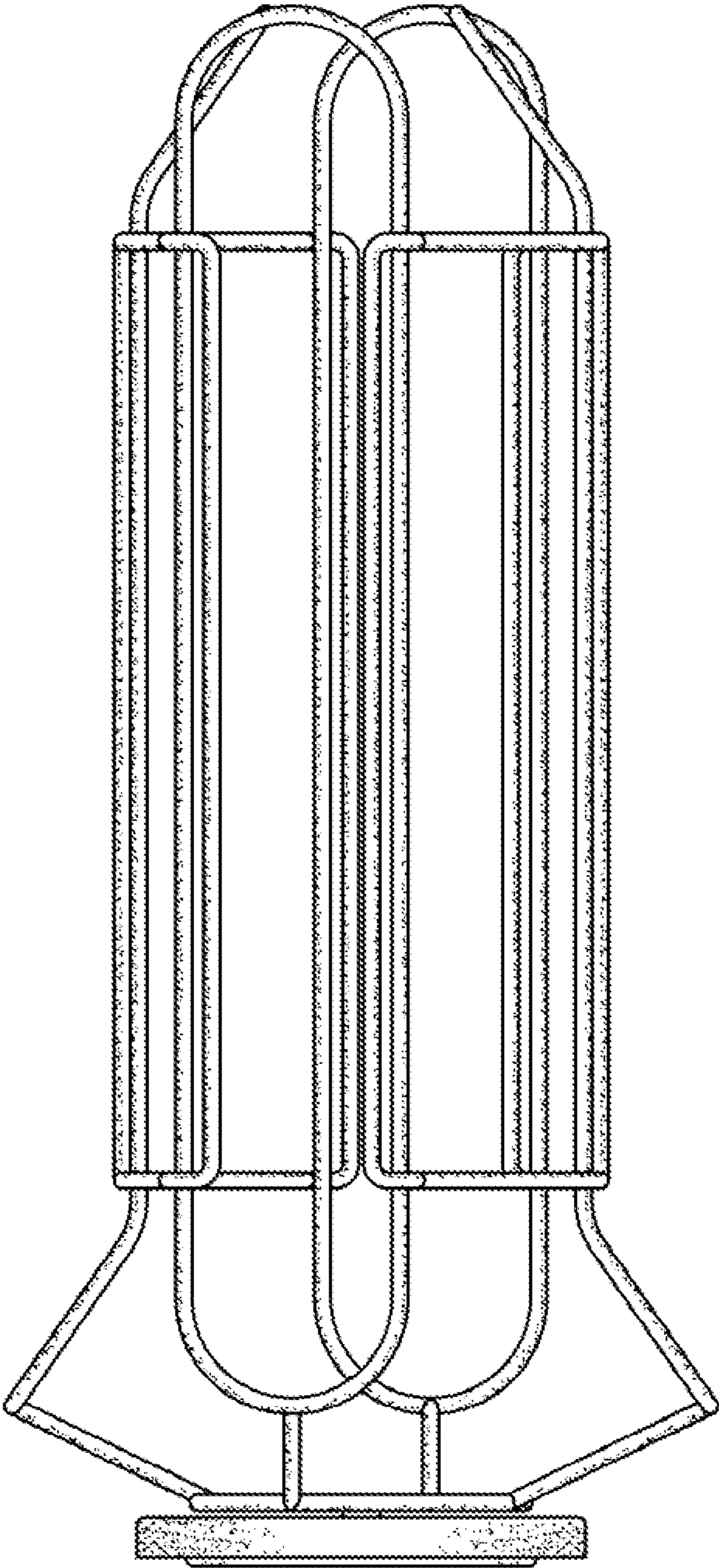


FIG. 3

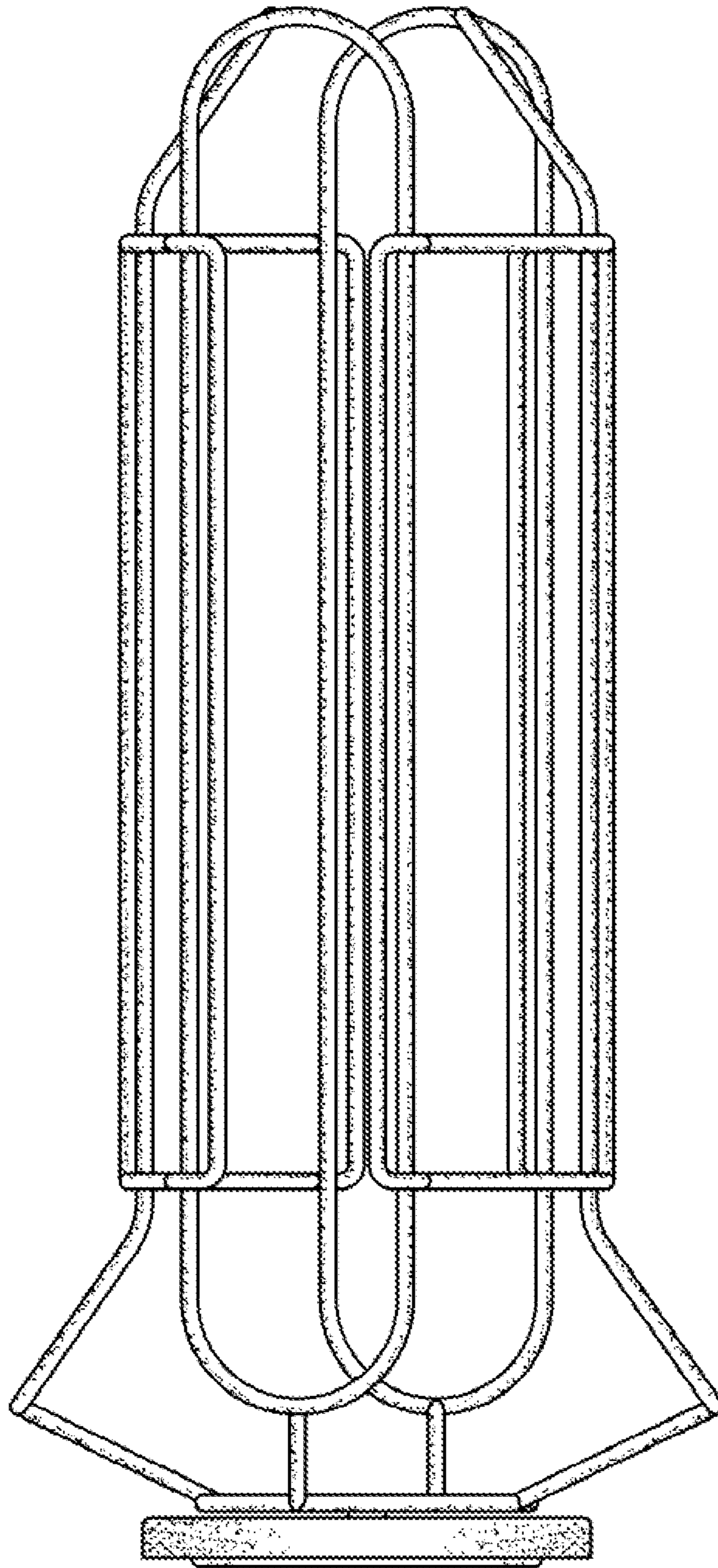


FIG. 4

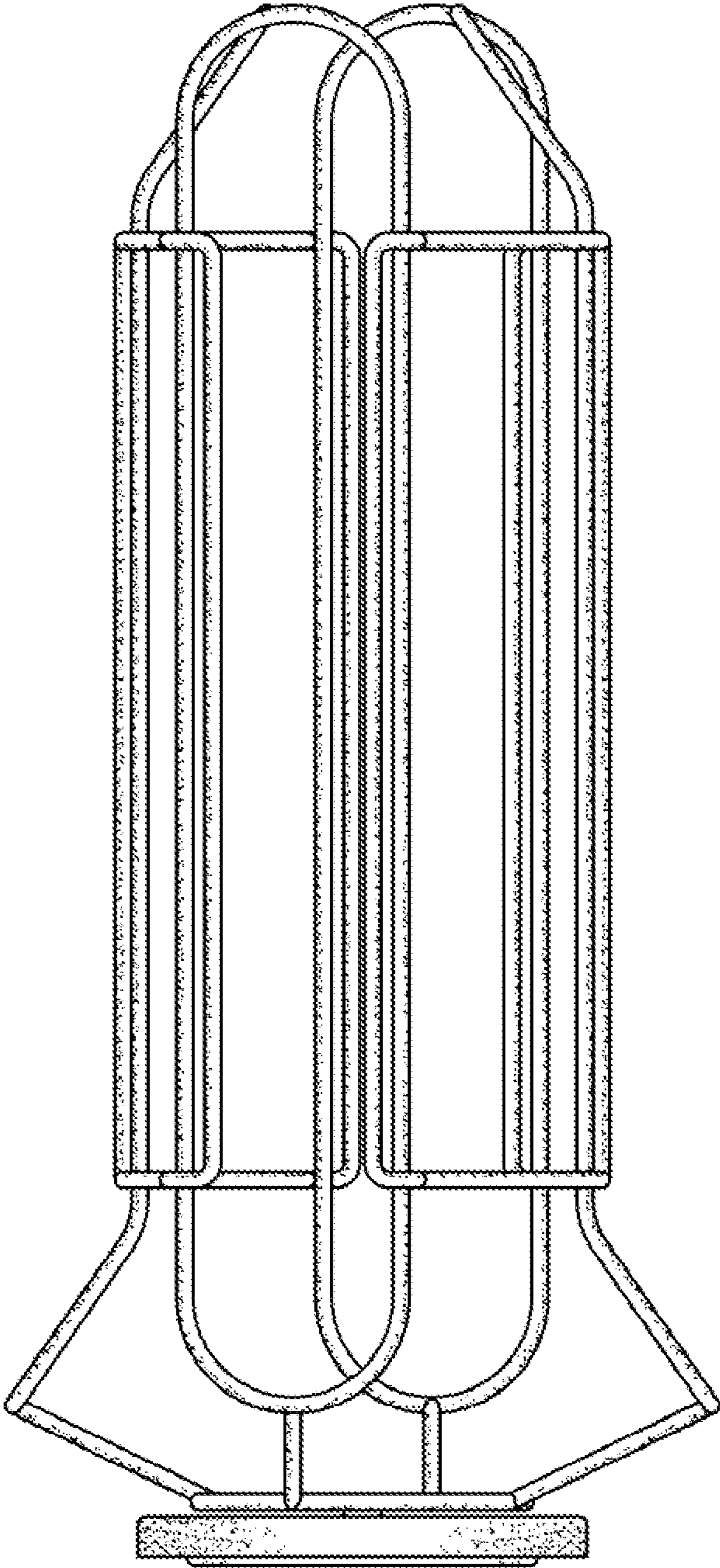


FIG. 5

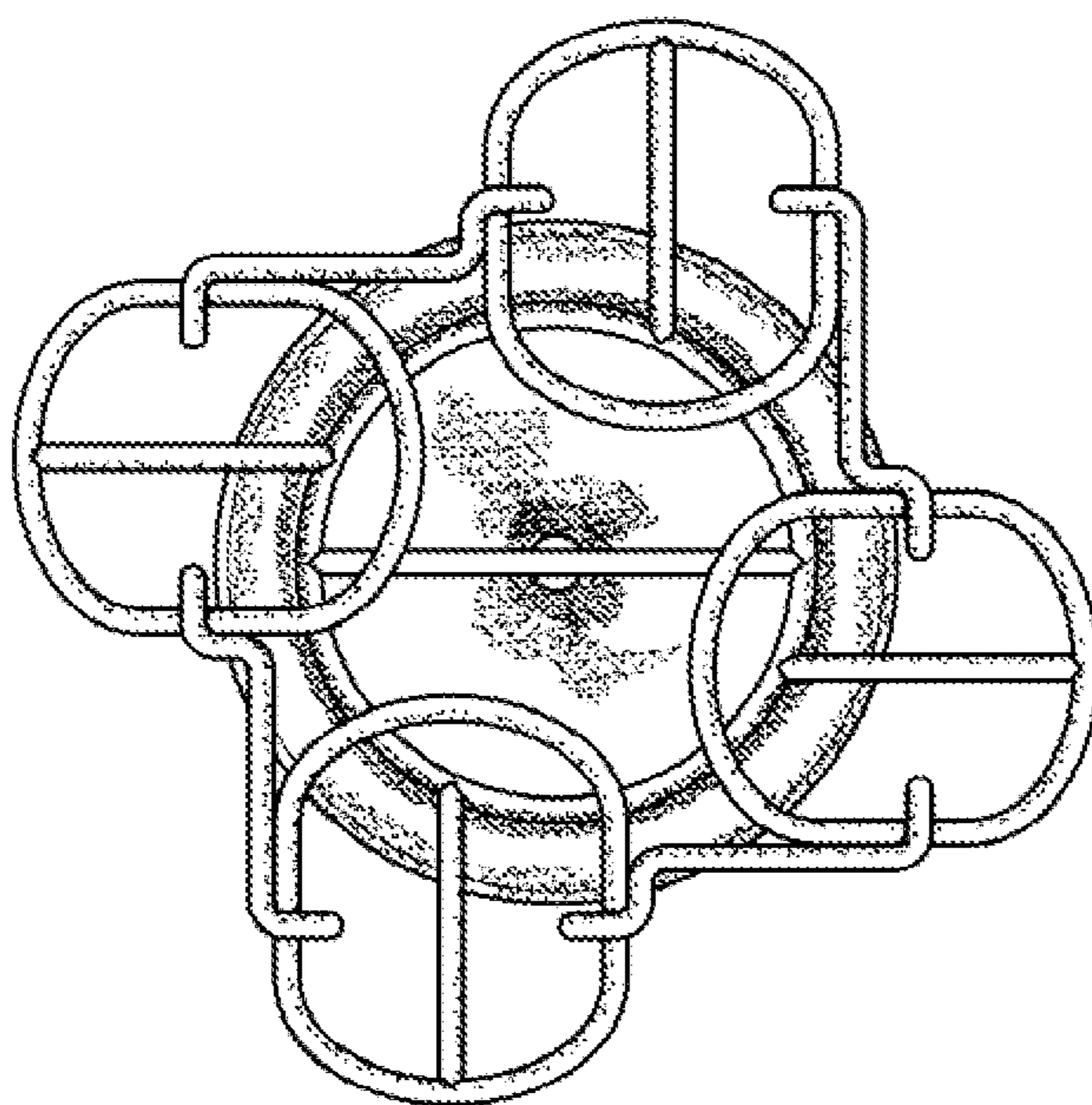


FIG. 6

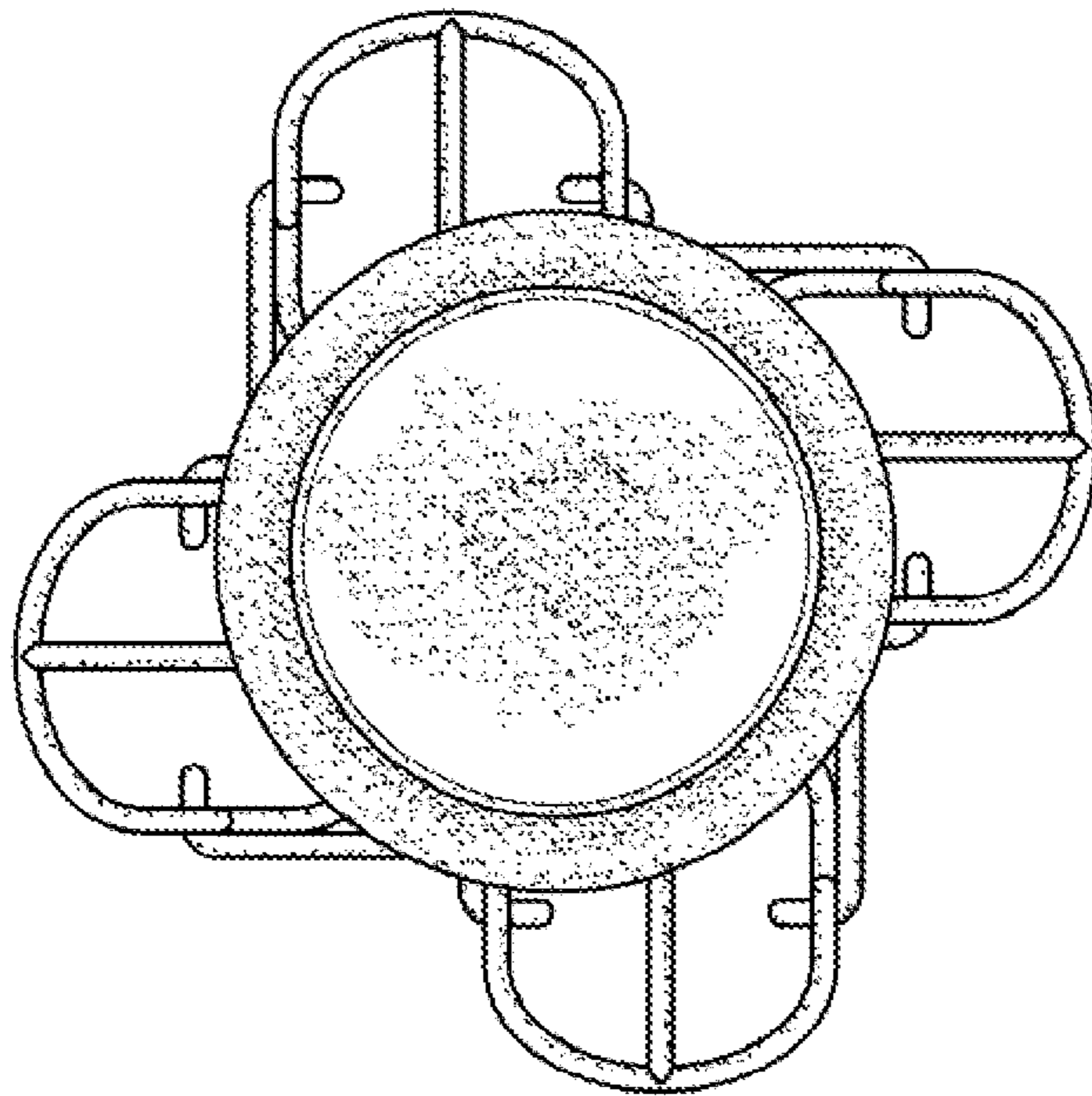


FIG. 7

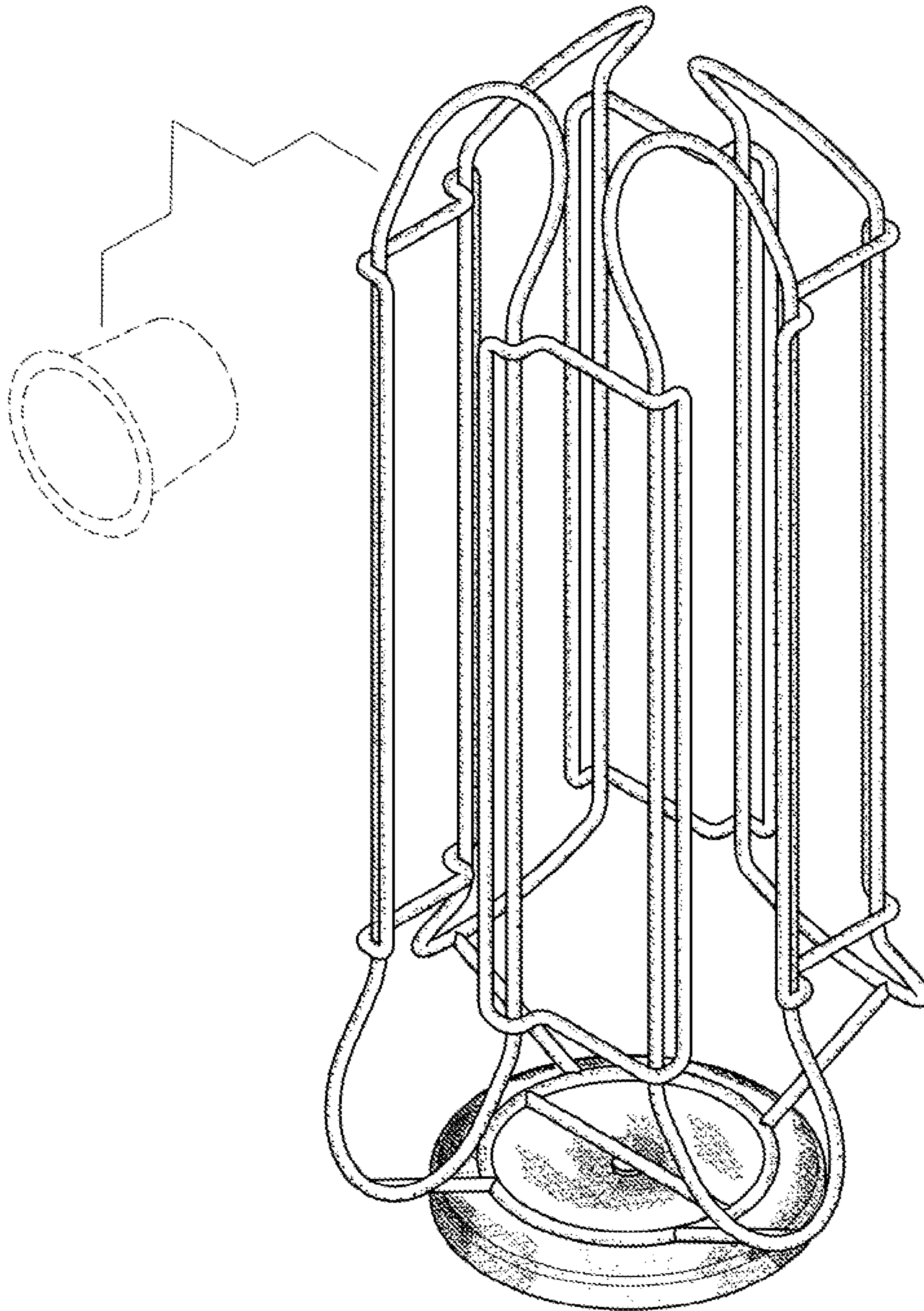


FIG. 8