



US00D696906S

(12) **United States Design Patent**  
**Roth**

(10) **Patent No.:** **US D696,906 S**  
(45) **Date of Patent:** **\*\* Jan. 7, 2014**

- (54) **CONTAINER**
- (71) Applicant: **Cool Gear International, LLC**,  
Plymouth, MA (US)
- (72) Inventor: **Donna Roth**, Duxbury, MA (US)
- (73) Assignee: **Cool Gear International, LLC**,  
Plymouth, MA (US)
- (\*\*) Term: **14 Years**
- (21) Appl. No.: **29/455,420**
- (22) Filed: **May 20, 2013**

3,606,262 A *	9/1971	Hoff	.....	366/341
3,606,282 A	9/1971	Stookey		
4,279,355 A	7/1981	Schwartz et al.		
D291,040 S	7/1987	Dart		
4,852,757 A *	8/1989	Gold	.....	220/4.03

(Continued)

**FOREIGN PATENT DOCUMENTS**

CA	2255790 A1	7/1999
EP	2103539 A1	9/2009
JP	2005-525270 A	8/2005
KR	2008-0109896 A	12/2008

**OTHER PUBLICATIONS**

“At Your Disposal,” Specialty Coffee Retailer, www.speciality-coffee.com, pp. 12-16 (2001).  
Caribou Coffee, 2005 Annual Report (Mar. 30, 2006).

(Continued)

*Primary Examiner* — Marianne Pandozzi  
(74) *Attorney, Agent, or Firm* — Edwards Wildman Palmer LLP; Steven M. Jensen

(57) **CLAIM**

The ornamental design for a container, as shown and described.

**DESCRIPTION**

FIG. 1 is a perspective view of the top, front, and right side of a container showing an embodiment of the new design; FIG. 2 is a front view thereof; FIG. 3 is a back view thereof; FIG. 4 is a right view thereof; FIG. 5 is a left view thereof; FIG. 6 is a top view thereof; and, FIG. 7 is a bottom view thereof. The portions shown in broken lines are for illustrative purposes only and form no part of the claimed design.

**1 Claim, 7 Drawing Sheets**

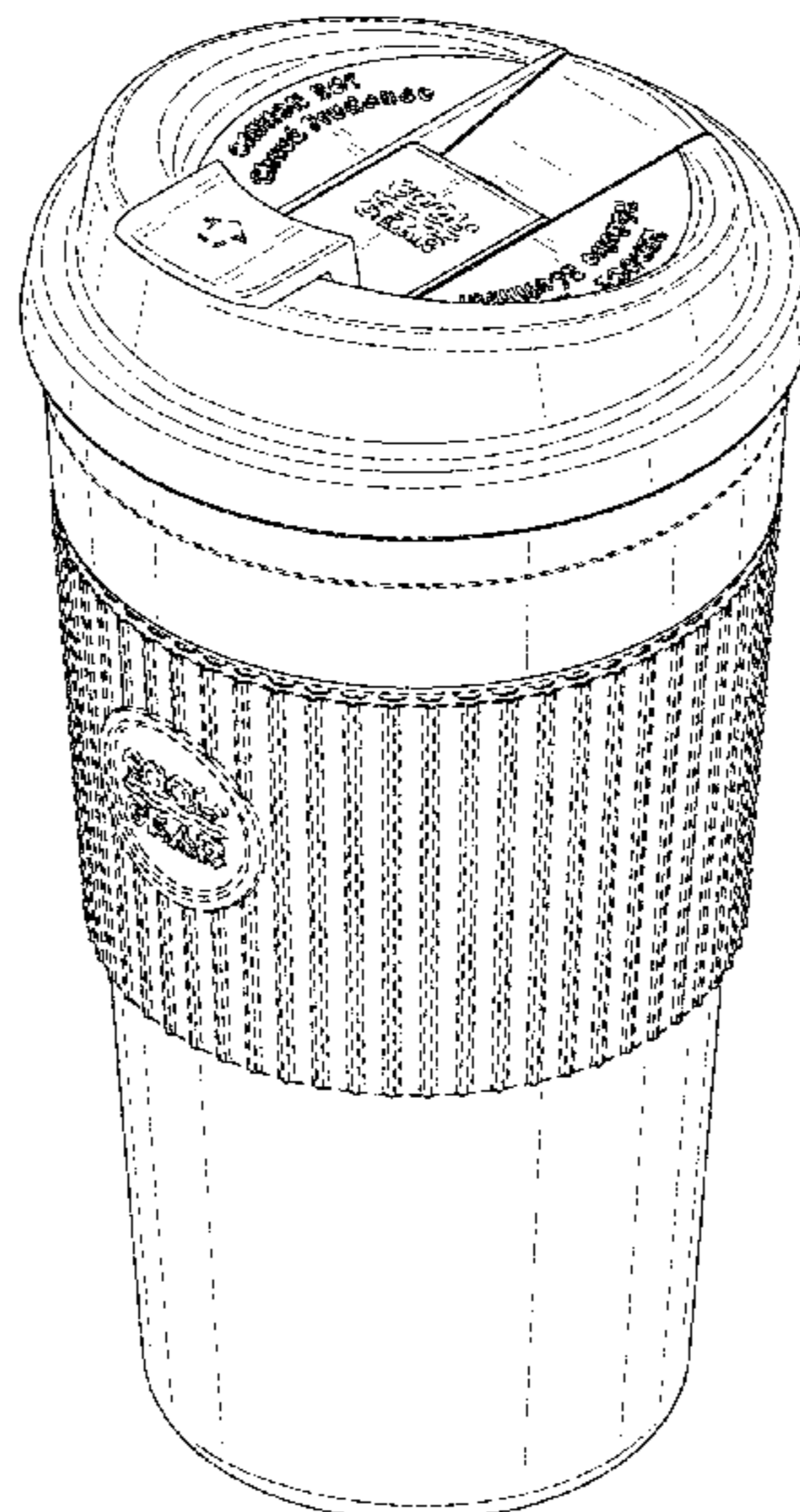
**Related U.S. Application Data**

- (63) Continuation of application No. 13/556,890, filed on Jul. 24, 2012, which is a continuation of application No. 12/953,767, filed on Nov. 24, 2010, now Pat. No. 8,276,776, and a continuation of application No. PCT/US2011/060792, filed on Nov. 15, 2011.
- (51) **LOC (10) Cl.** ..... **07-01**
- (52) **U.S. Cl.**  
USPC ..... **D7/510; D7/511**
- (58) **Field of Classification Search**  
USPC ..... D7/510, 511, 536, 533, 512, 529, 534, D7/535, 523, 532; D24/197; 220/703, 719, 220/713, 592.16, 592.17, 254.3; 215/DIG. 7  
See application file for complete search history.

**References Cited**

**U.S. PATENT DOCUMENTS**

D48,464 S	1/1916	Blair
D75,773 S	7/1928	Cleland
2,051,446 A	8/1936	Ice
D170,666 S	10/1953	Stenger
2,984,035 A	5/1961	Nalle, Jr.
3,456,860 A	7/1969	Janninck
3,468,467 A	9/1969	Amberg



(56)

References Cited

U.S. PATENT DOCUMENTS

4,915,250 A 4/1990 Hayes, Jr.  
 5,205,473 A 4/1993 Coffin, Sr.  
 5,456,380 A 10/1995 Ito et al.  
 5,509,568 A 4/1996 Warden et al.  
 D371,936 S \* 7/1996 Goto et al. .... D7/523  
 D372,398 S 8/1996 Lamson  
 5,765,716 A \* 6/1998 Cai et al. .... 220/740  
 5,826,786 A 10/1998 Dickert  
 D411,712 S 6/1999 Mecklenburg  
 6,068,182 A 5/2000 Tokunaga  
 6,220,476 B1 4/2001 Waller  
 6,286,709 B1 9/2001 Hudson  
 6,286,754 B1 9/2001 Stier et al.  
 D475,578 S 6/2003 Hurlbut et al.  
 6,763,964 B1 7/2004 Hurlbut et al.  
 D502,396 S 3/2005 Frisch et al.  
 6,926,197 B2 8/2005 Hed et al.  
 D509,707 S 9/2005 Tien  
 D512,874 S 12/2005 Poulson et al.  
 7,055,715 B2 \* 6/2006 Maravich et al. .... 220/792  
 D526,190 S 8/2006 Bolt et al.  
 7,131,551 B2 11/2006 Smith  
 D534,770 S 1/2007 Gluck  
 7,175,043 B2 2/2007 O'Neal  
 7,246,715 B2 7/2007 Smith et al.  
 7,246,716 B2 7/2007 Durdon  
 D548,012 S \* 8/2007 Tien ..... D7/532  
 7,284,676 B2 10/2007 Dantani  
 D590,662 S 4/2009 Cheng  
 7,537,136 B2 5/2009 Hechmati  
 D599,622 S 9/2009 Gilbert et al.  
 7,581,640 B2 9/2009 Lopez  
 7,597,246 B2 10/2009 Stepanek, Jr.  
 D621,659 S \* 8/2010 Liu ..... D7/510  
 D623,474 S \* 9/2010 Carlson et al. .... D7/510  
 D623,476 S \* 9/2010 Carlson et al. .... D7/510  
 D640,094 S \* 6/2011 Carlson et al. .... D7/510  
 7,954,659 B2 \* 6/2011 Zuares et al. .... 220/254.7  
 D642,862 S \* 8/2011 Tobias ..... D7/510  
 D648,985 S \* 11/2011 Chiu et al. .... D7/510  
 8,074,831 B2 \* 12/2011 Walker et al. .... 220/790

8,113,379 B2 \* 2/2012 Cai et al. .... 220/712  
 D658,443 S \* 5/2012 Chiu et al. .... D7/507  
 D662,354 S \* 6/2012 Bodum ..... D7/396.2  
 D662,362 S \* 6/2012 Bickert et al. .... D7/510  
 D669,736 S \* 10/2012 Bodum ..... D7/510  
 8,276,776 B2 \* 10/2012 Roth et al. .... 220/254.4  
 D672,610 S \* 12/2012 Park et al. .... D7/510  
 D674,241 S \* 1/2013 Bickert et al. .... D7/510  
 D683,186 S \* 5/2013 Tobias ..... D7/510  
 2002/0096530 A1 7/2002 Waller  
 2003/0209547 A1 11/2003 Lin  
 2004/0084452 A1 5/2004 Hsieh  
 2005/0035018 A1 2/2005 McRobbie  
 2006/0086745 A1 4/2006 Morrison  
 2006/0213908 A1 9/2006 Clarke et al.  
 2007/0023442 A1 2/2007 Auzenne  
 2007/0045316 A1 3/2007 Arnljots  
 2007/0215618 A1 9/2007 Wright et al.  
 2007/0215626 A1 9/2007 Wright et al.  
 2008/0047966 A1 2/2008 Carson  
 2009/0050641 A1 \* 2/2009 Ivey ..... 220/713  
 2009/0065518 A1 3/2009 Carnevali  
 2012/0285961 A1 11/2012 Roth et al.

OTHER PUBLICATIONS

Caribou Coffee, 2007 Annual Report (Mar. 21, 2008).  
 Karen Meyer, "Sleeves That Please: Find the perfect fit and feel for your shop," Specialty Coffee Retailer, www.specialty-retailer.com, pp. 42-51 (2007).  
 "Product Showcase 2008," Specialty Coffee Retailer 60-84 (Jul. 2008).  
 Bridget Weber, "Wearing your brand on your sleeve," www.specialty-coffee.com, pp. 16-20 (2004).  
 Wilton Industries, Inc., "Copco—Eco-First—Acadia Mug Brown" (2010).  
 Wilton Industries, Inc., "Copco—Eco-First—Sierra Tumbler Brown" (2010).  
 International Search Report for International Application No. PCT/US2011/060792 mailed Jun. 20, 2012.  
 Written Opinion for International Application No. PCT/US2011/060792 mailed Jun. 20, 2012.

\* cited by examiner

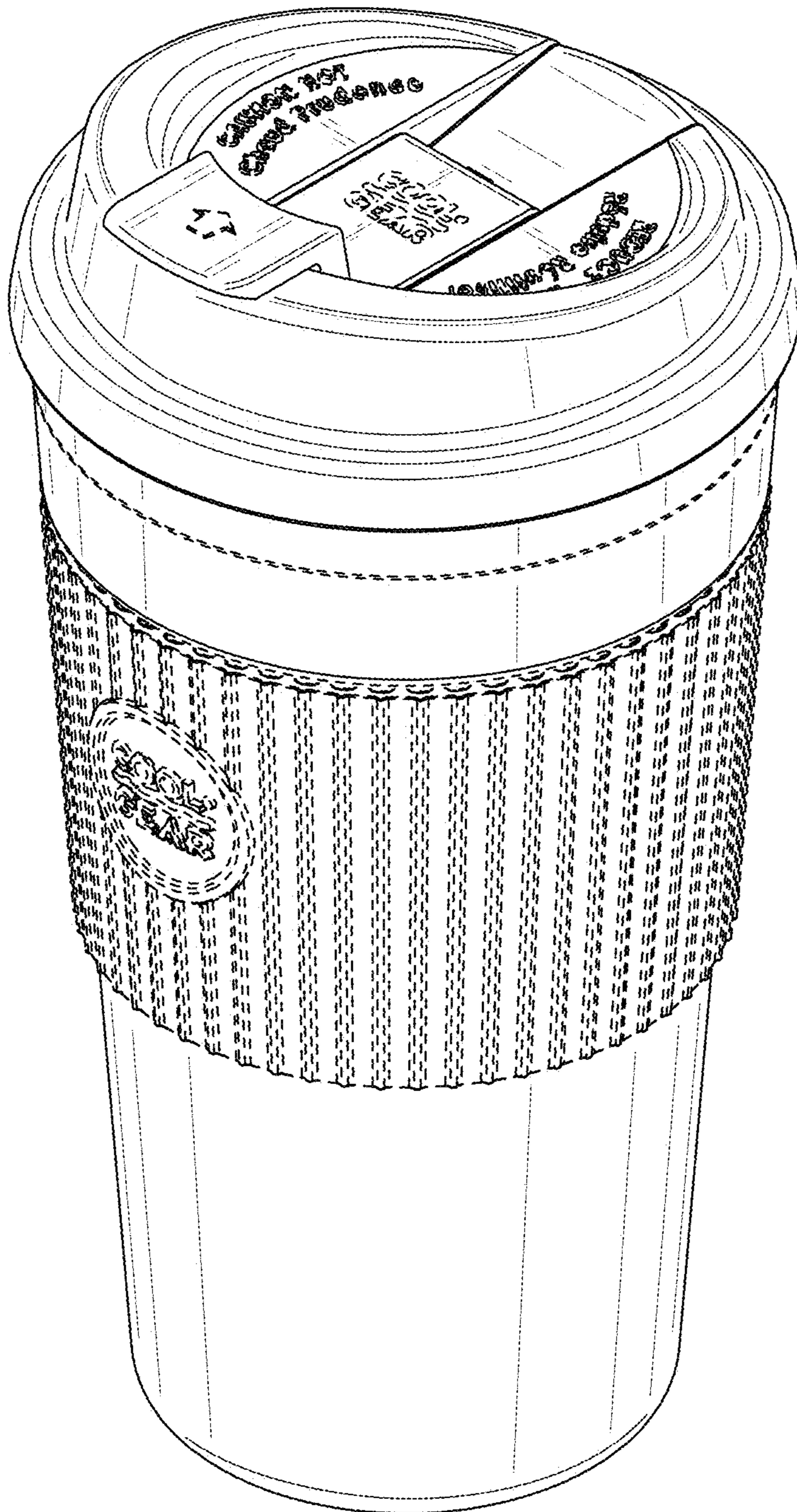


FIG. 1

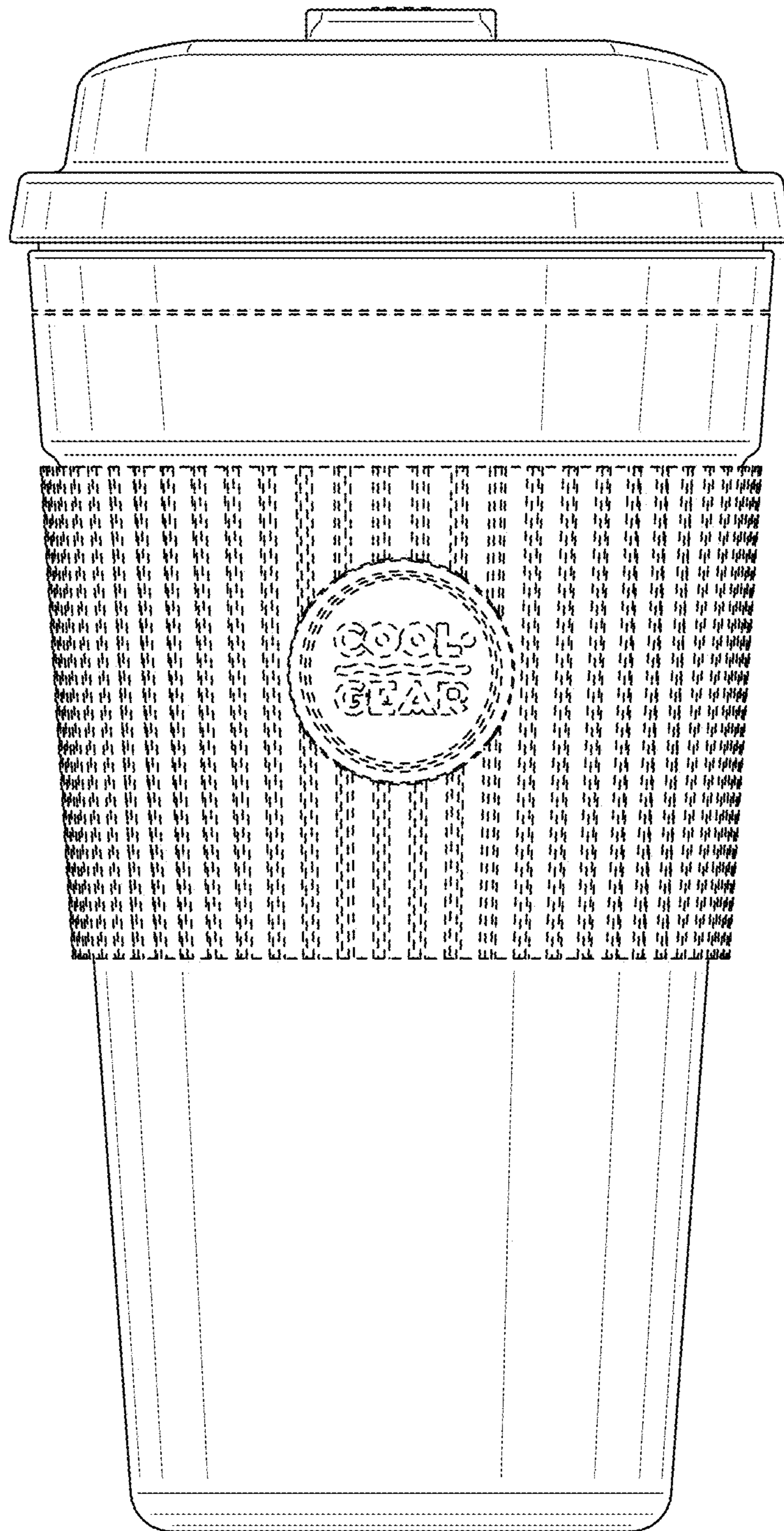


FIG. 2

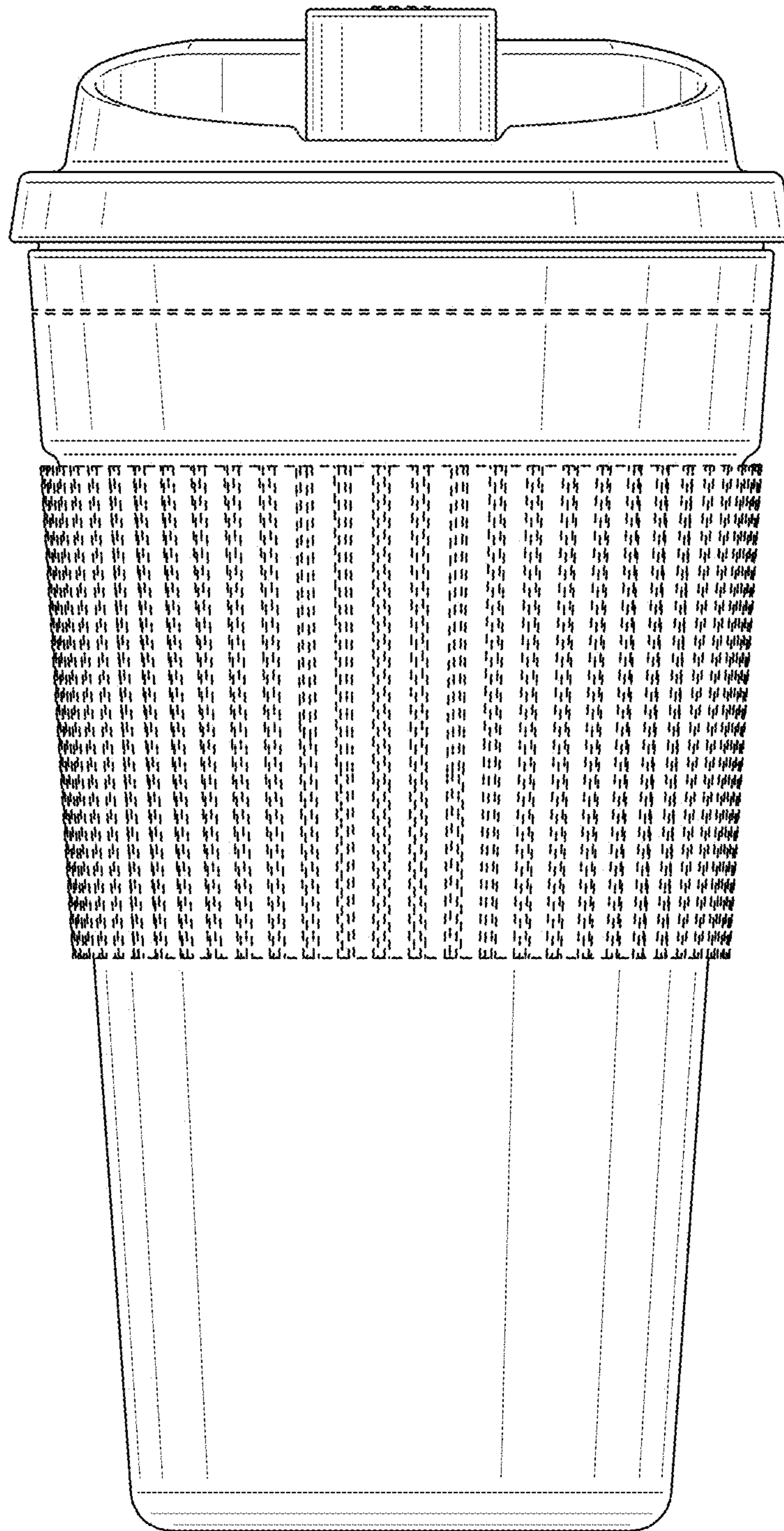


FIG. 3

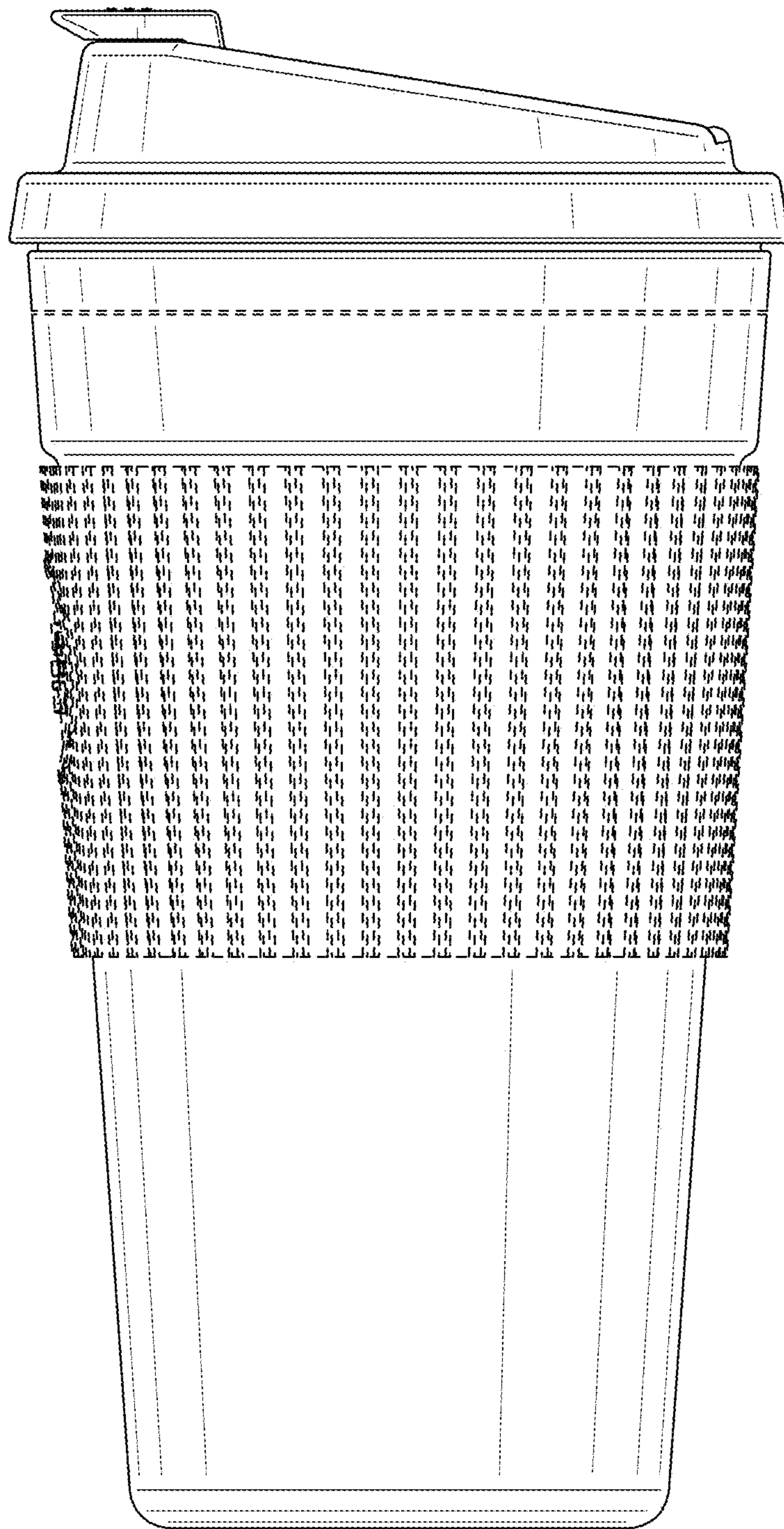


FIG. 4

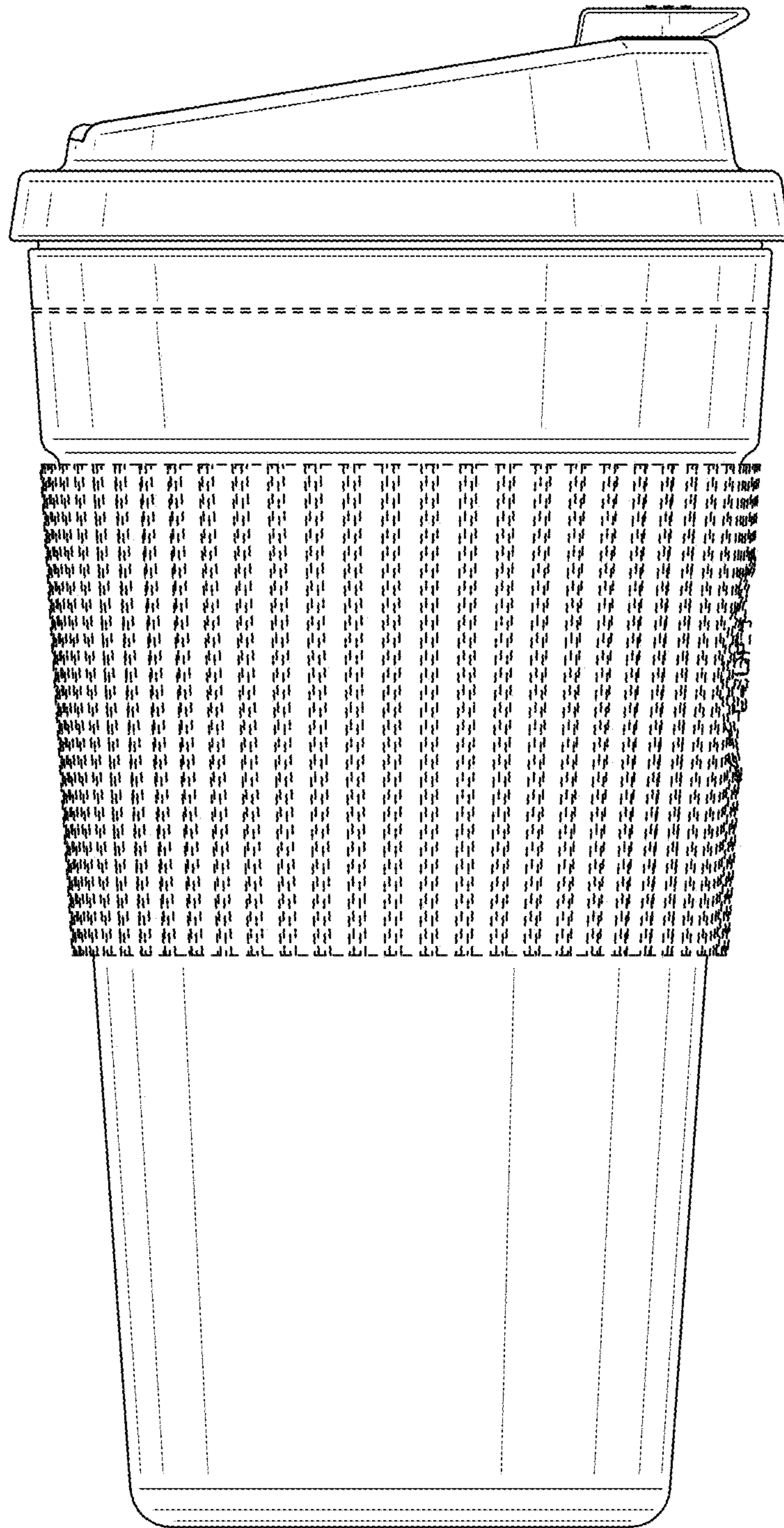


FIG. 5

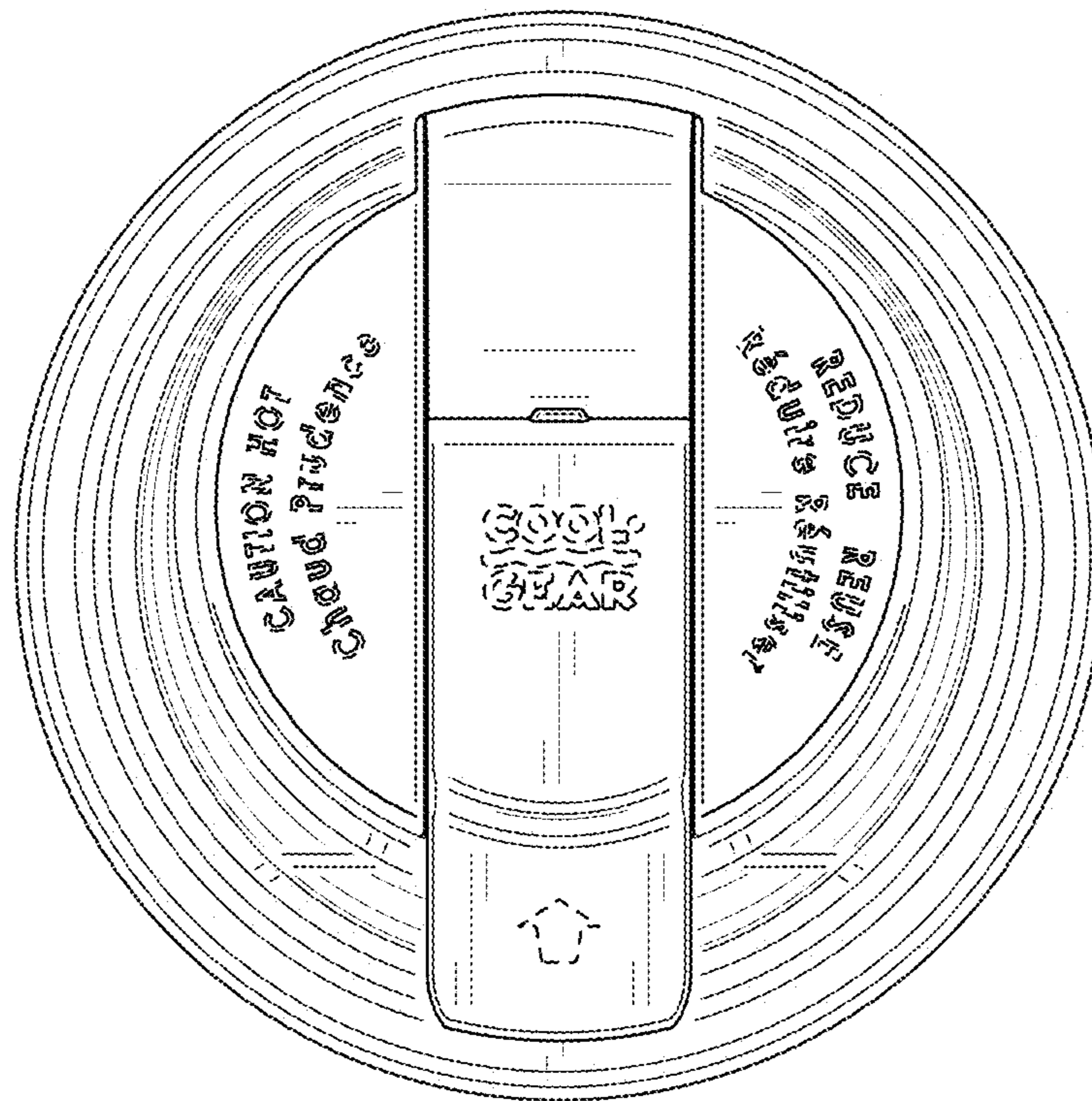


FIG. 6



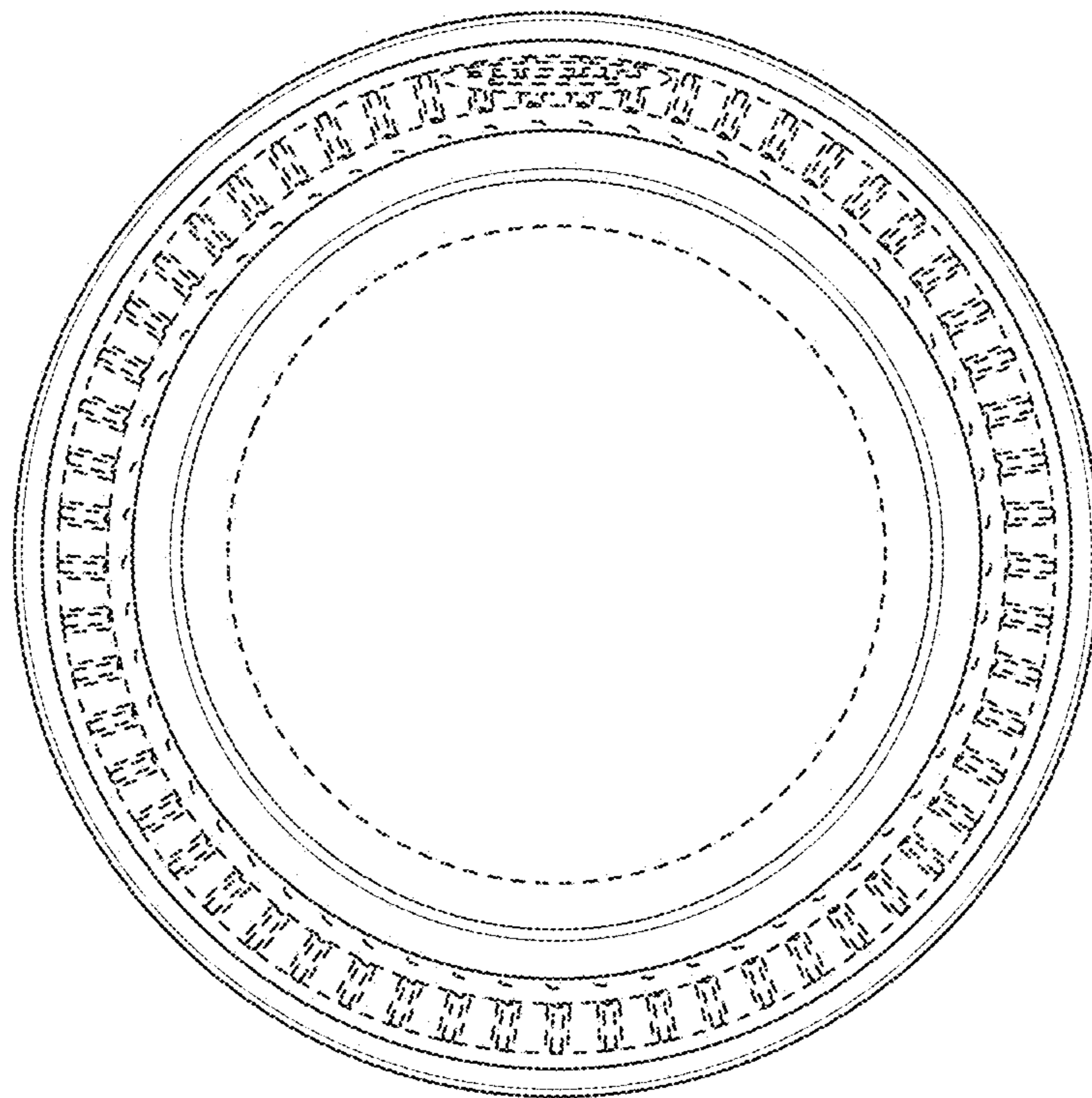


FIG. 7