



US00D696903S

(12) **United States Design Patent**
Burrows

(10) **Patent No.:** **US D696,903 S**
(45) **Date of Patent:** **** Jan. 7, 2014**

(54) **COFFEE BREWER HEAD**

Primary Examiner — Marianne Pandozzi

(76) Inventor: **Bruce D. Burrows**, Santa Clarita, CA
(US)

(74) *Attorney, Agent, or Firm* — Lowry Blixseth LLP; Scott M. Lowry

(**) Term: **14 Years**

(21) Appl. No.: **29/432,015**

(57) **CLAIM**

The ornamental design for a coffee brewer head, as shown and described.

(22) Filed: **Sep. 12, 2012**

(51) **LOC (10) Cl.** **07-99**

(52) **U.S. Cl.**
USPC **D7/401; D7/399**

(58) **Field of Classification Search**
USPC D7/306-311, 300, 305, 397, 398, 399,
D7/401; 99/282, 279, 280, 300, 305;
222/146.5, 129.1
See application file for complete search history.

DESCRIPTION

FIG. 1 is a perspective view showing the front, top and right sides of the coffee brewer head;
FIG. 2 is a perspective view showing the front, top and right sides of the coffee brewer head with its lid removed;
FIG. 3 is a front elevation view of the coffee brewer head;
FIG. 4 is a rear elevation view of the coffee brewer head;
FIG. 5 is a left side elevation view of the coffee brewer head;
FIG. 6 is a right side elevation view of the coffee brewer head;
and,
FIG. 7 is a top plan view of the coffee brewer head with its lid removed, the bottom is plain and unornamented.
The dotted line depiction of the lid, base and support post in FIG. 1 is for illustrative purposes only, and does not form a part of the claimed design.

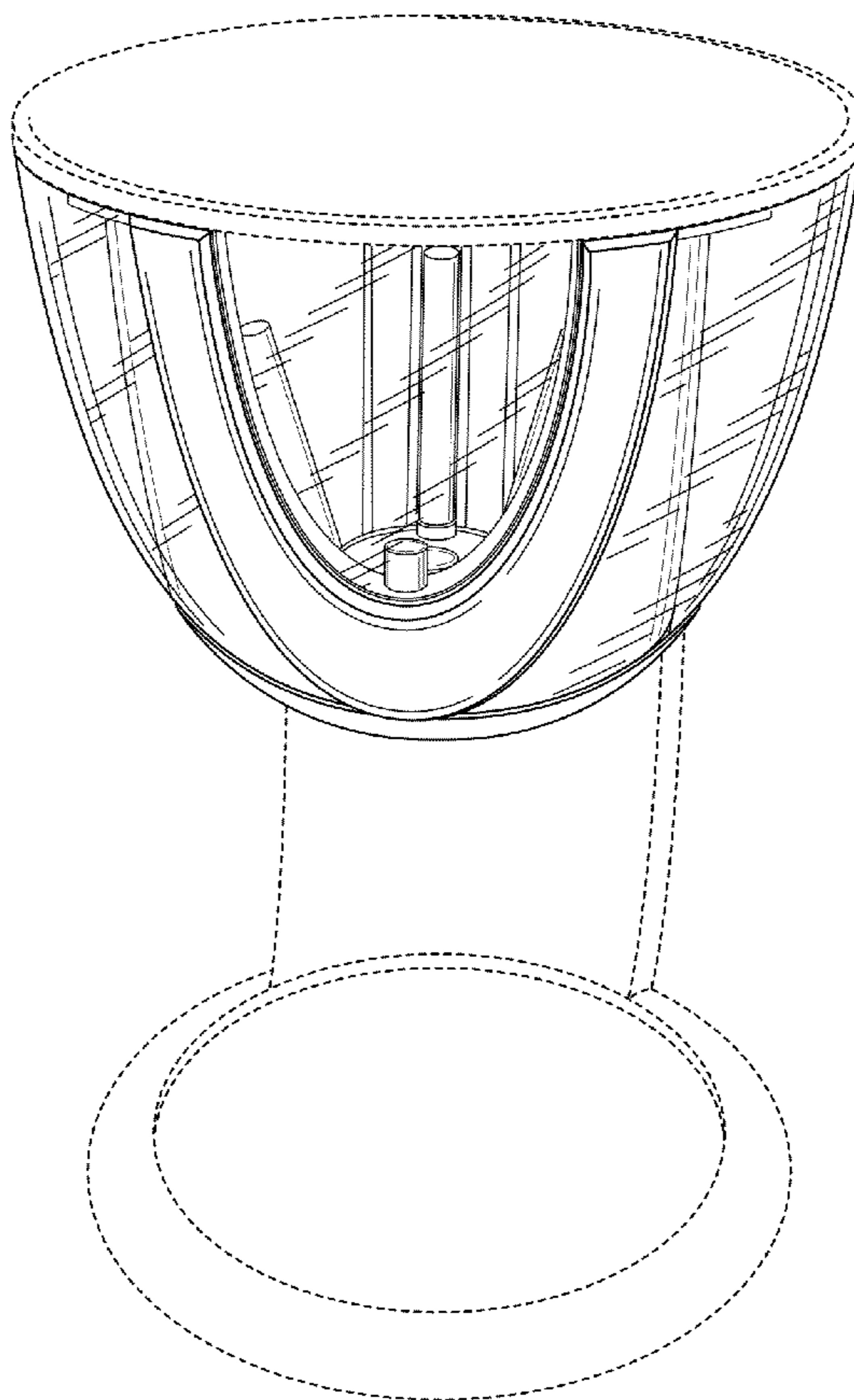
(56) **References Cited**

U.S. PATENT DOCUMENTS

D354,878 S *	1/1995	Lin	D7/309
D403,199 S *	12/1998	Micoley	D7/309
D447,904 S *	9/2001	Kling	D7/309
D478,461 S *	8/2003	Hoard	D7/309
D484,733 S *	1/2004	Kling	D7/309
D557,977 S *	12/2007	Neace et al.	D7/399
7,640,846 B2 *	1/2010	Williamson et al.	99/305

* cited by examiner

1 Claim, 3 Drawing Sheets



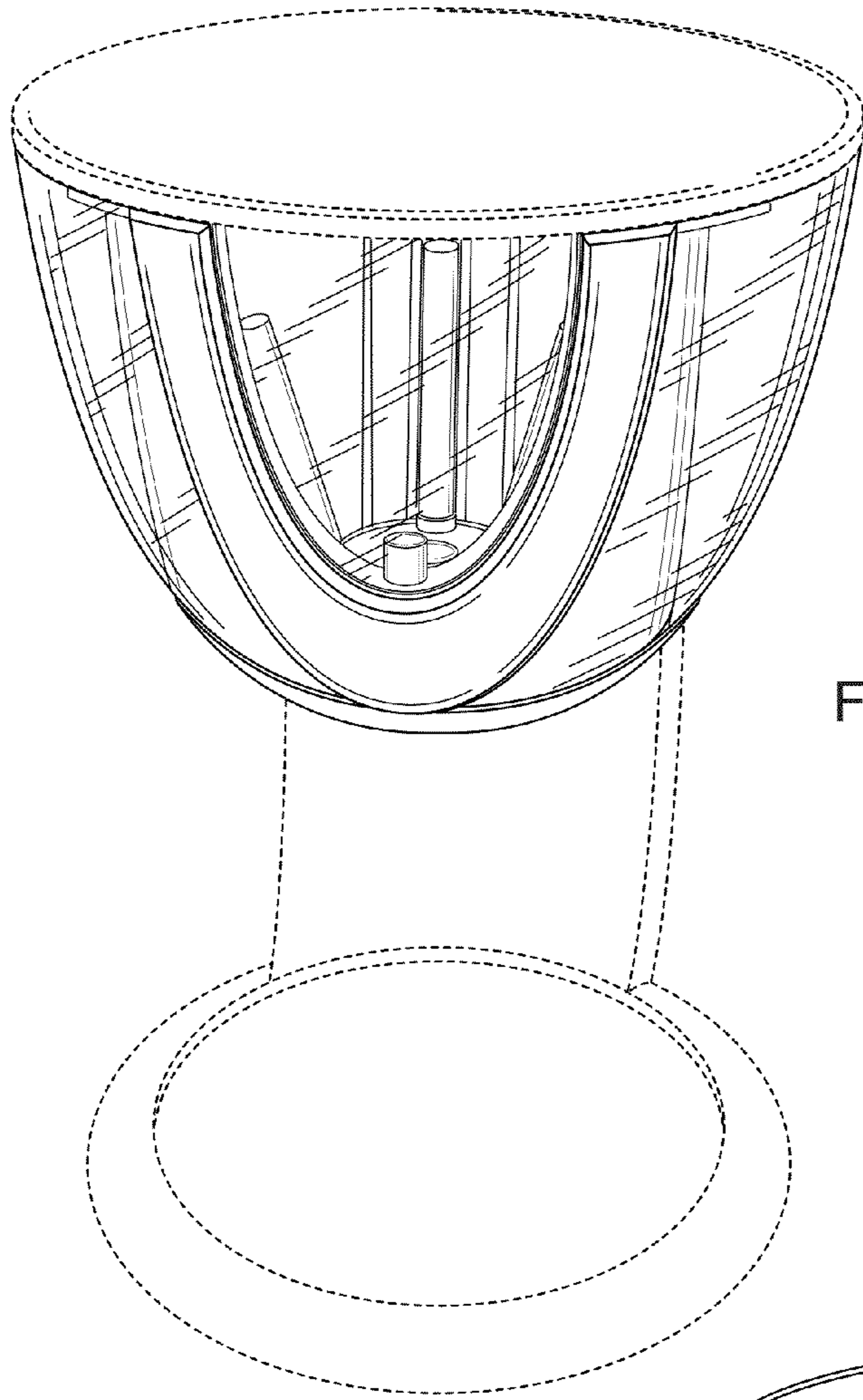


FIG. 1

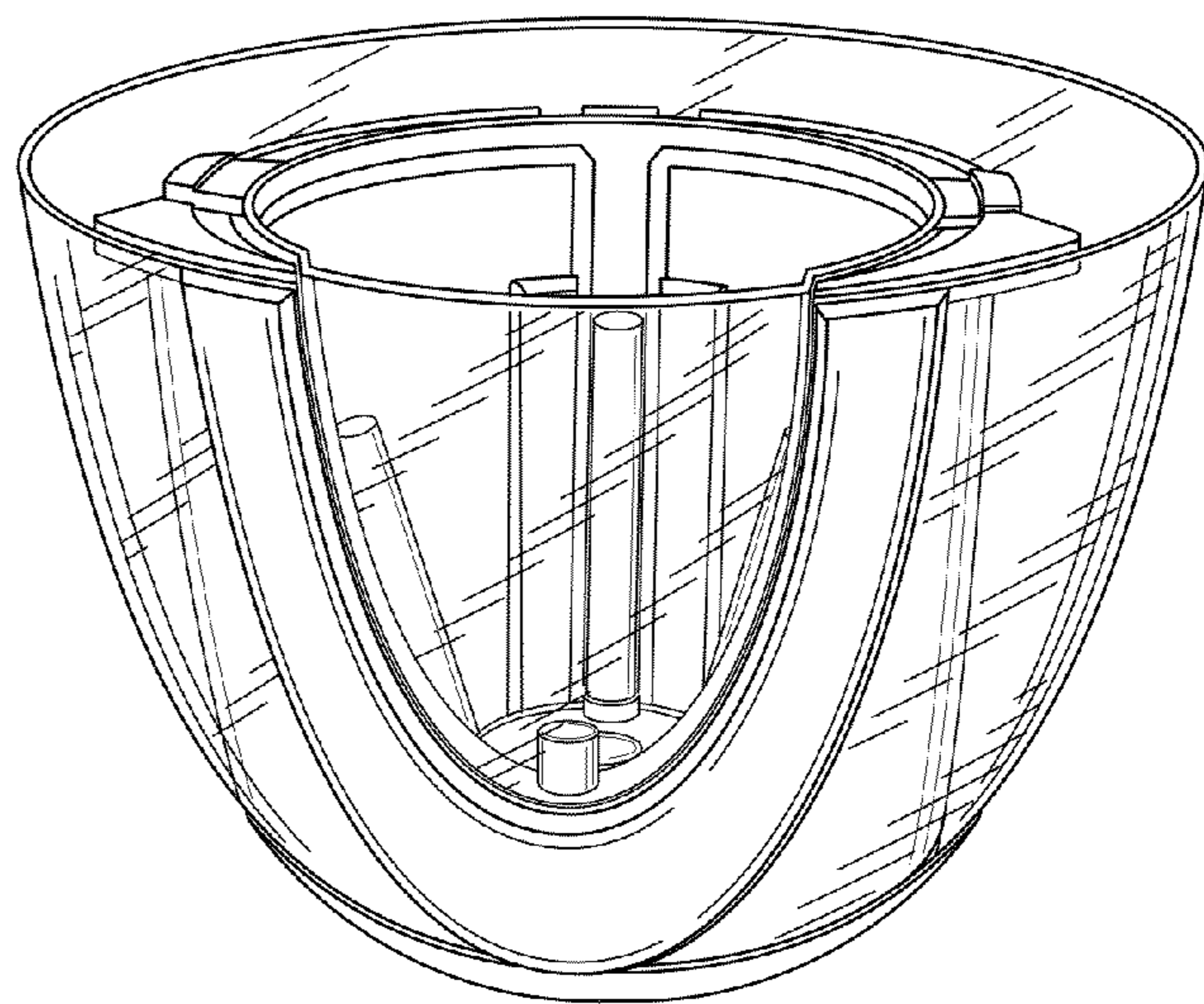


FIG. 2

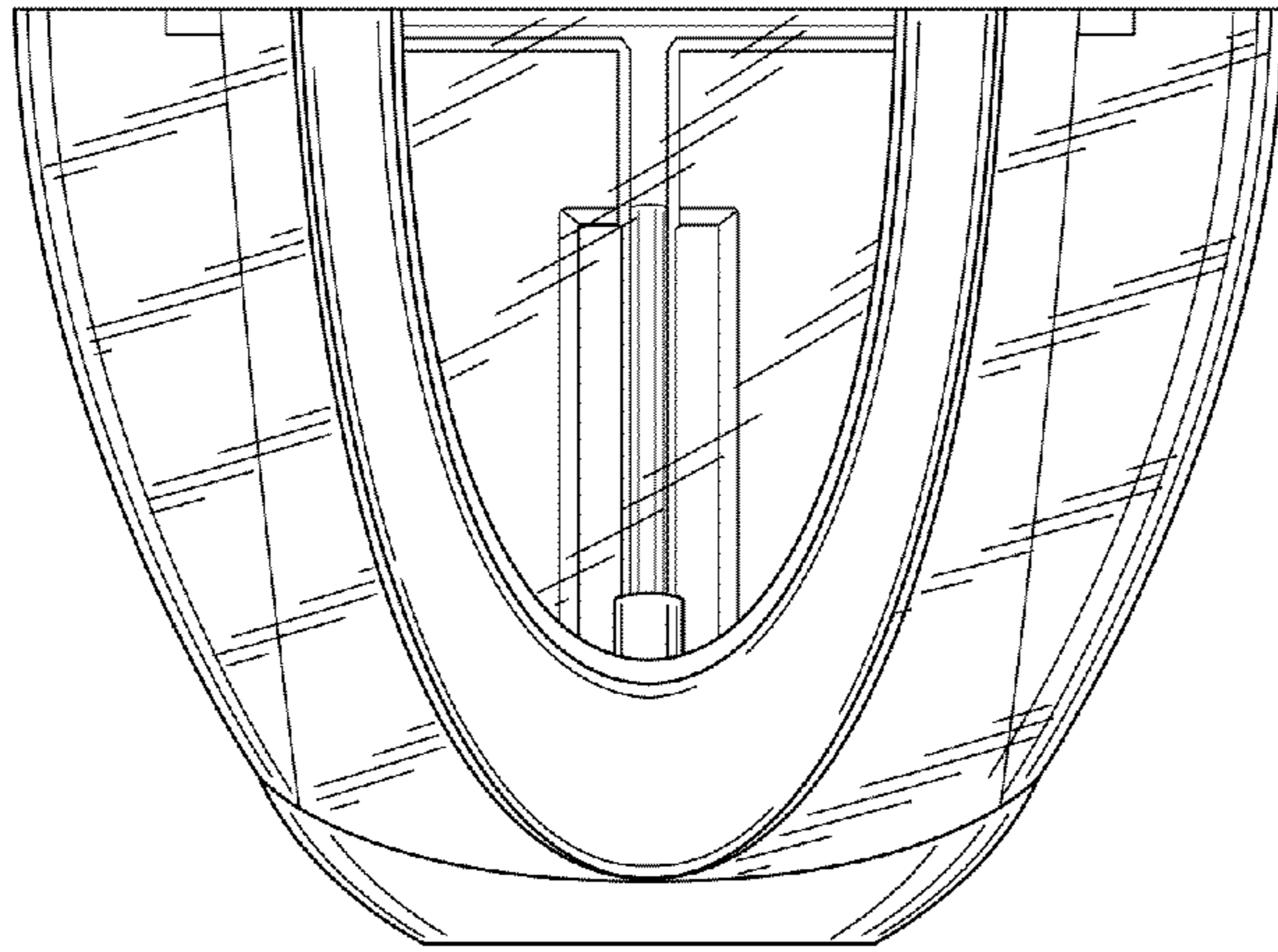


FIG. 3

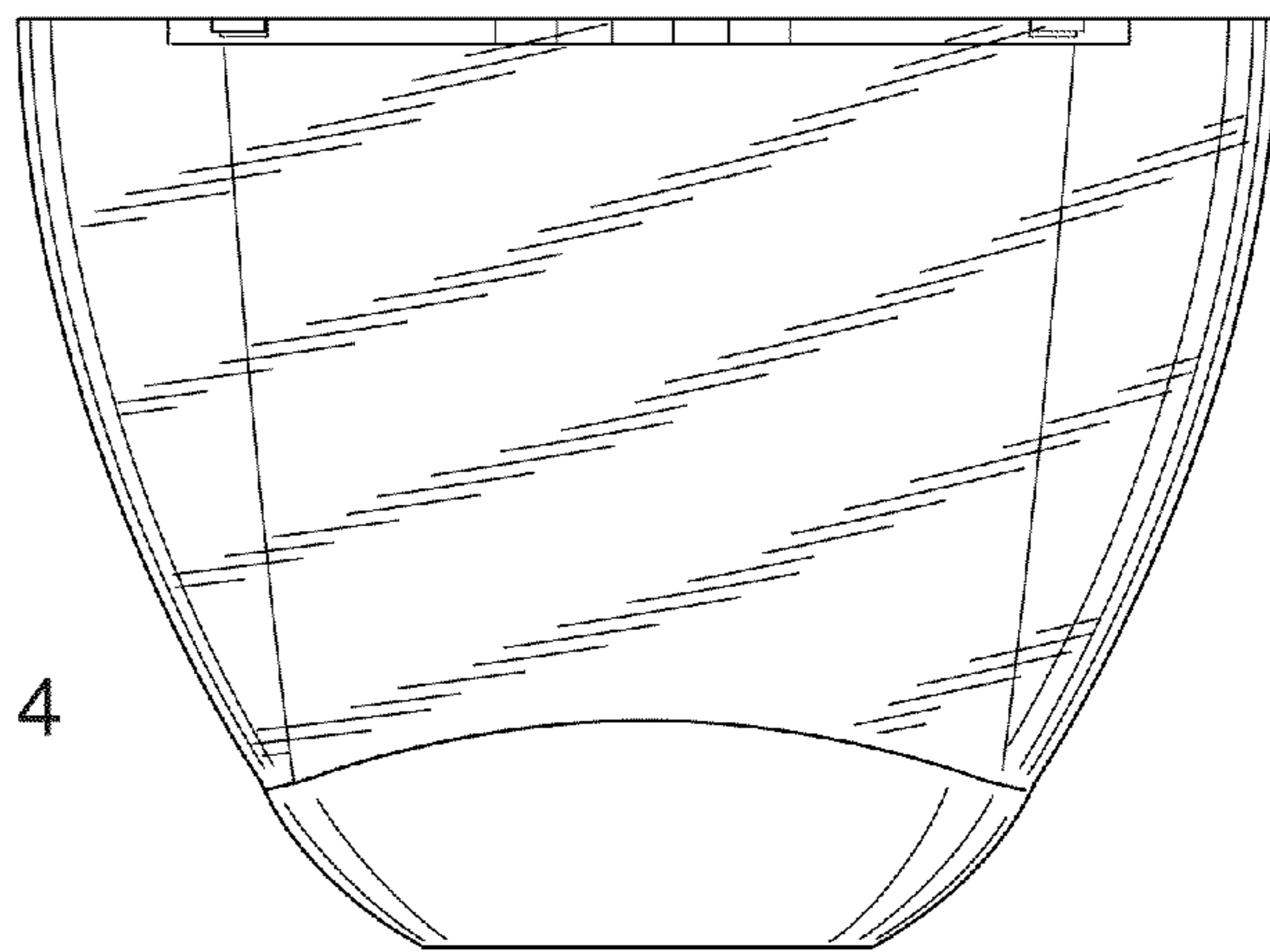


FIG. 4

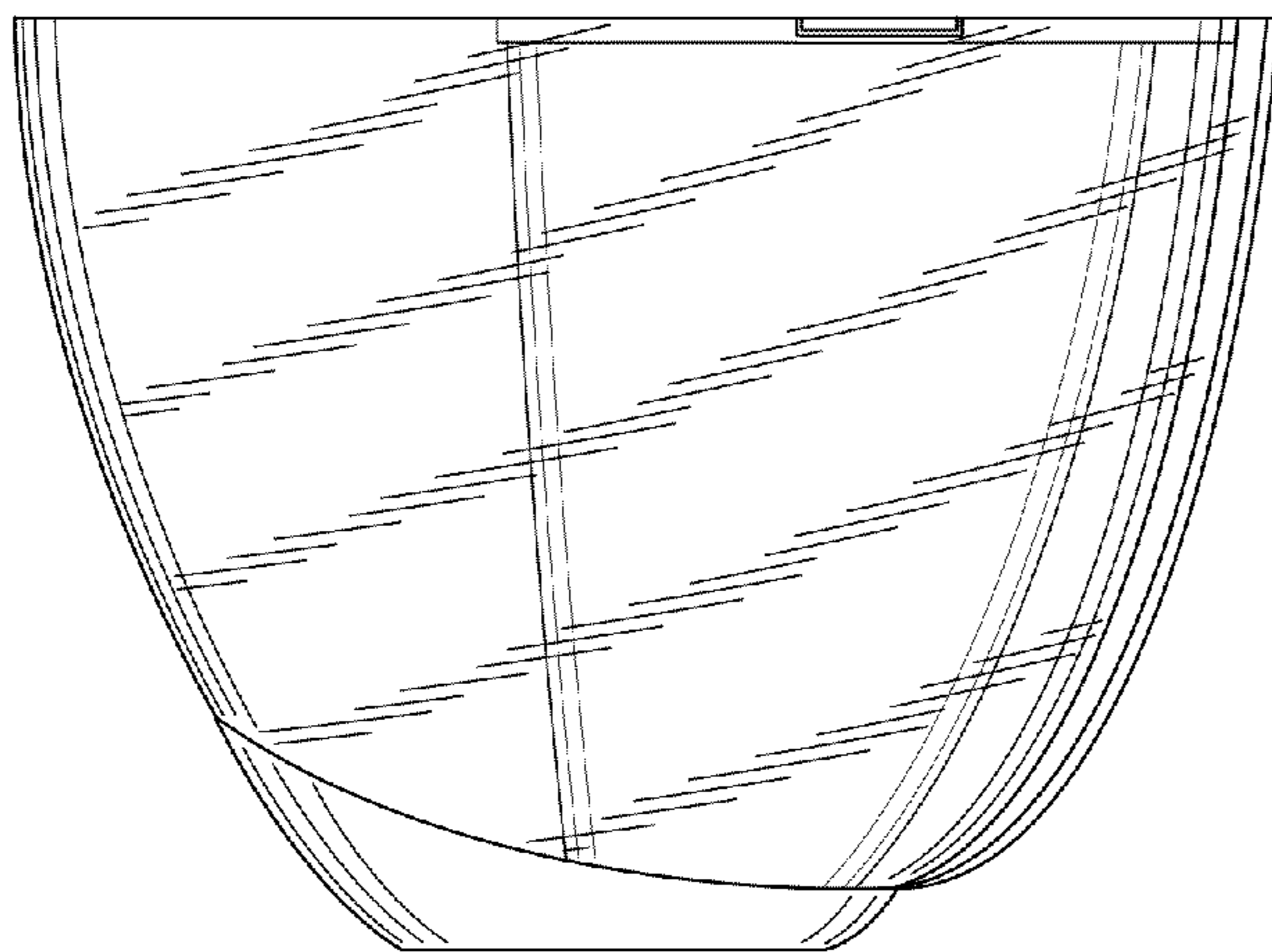


FIG. 5

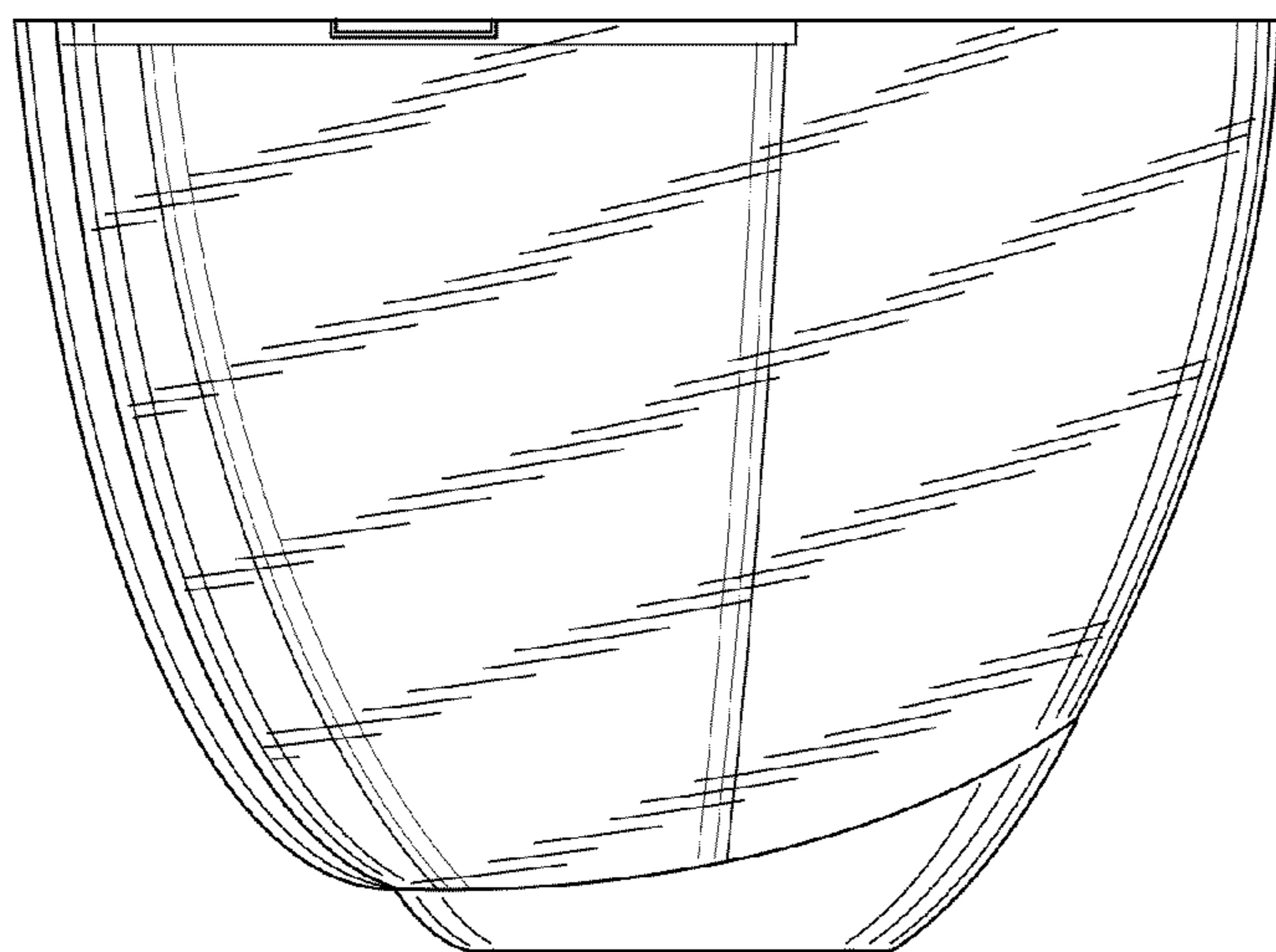


FIG. 6

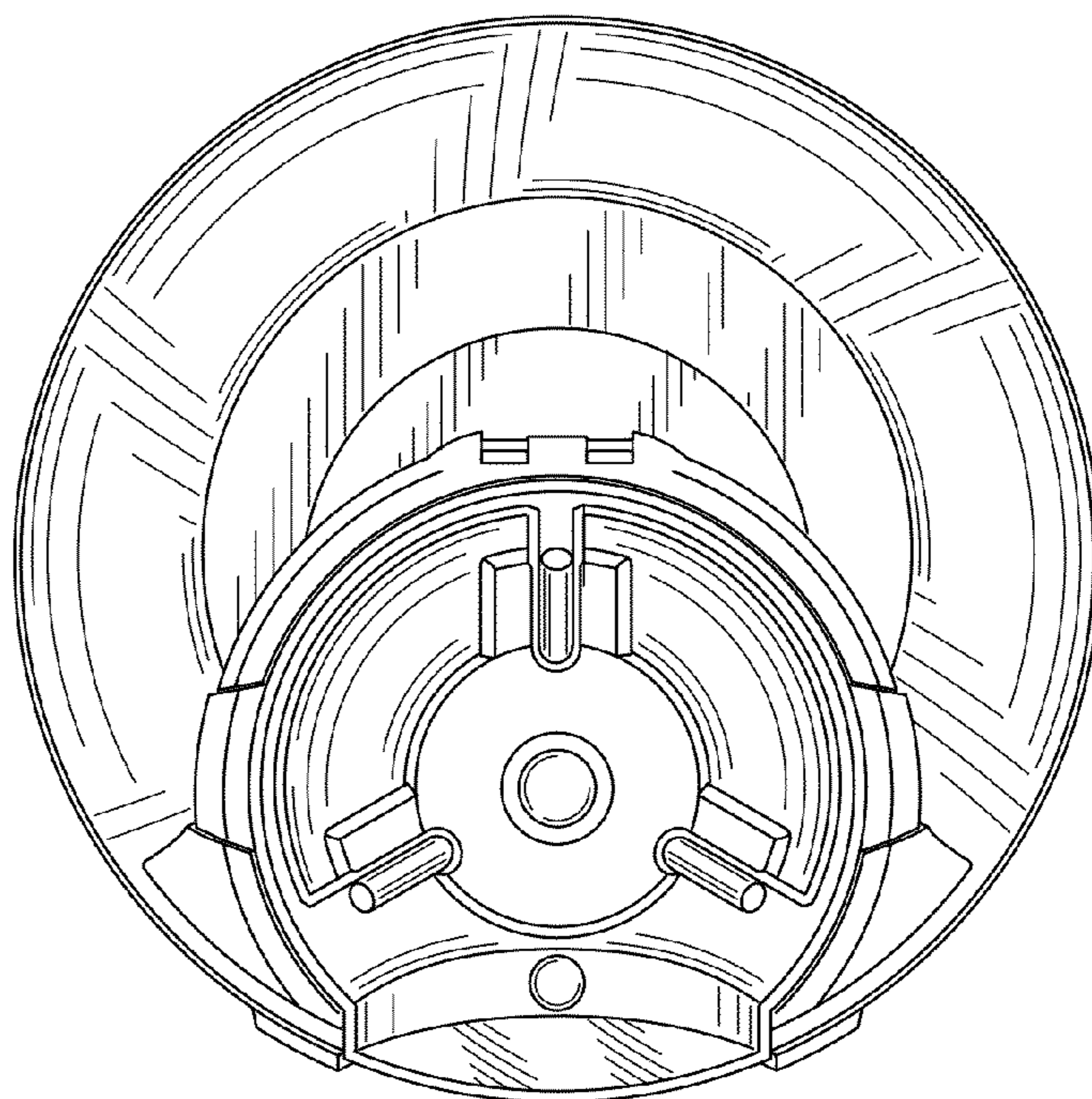


FIG. 7