



US00D696902S

(12) **United States Design Patent**
Rae

(10) **Patent No.:** **US D696,902 S**
(45) **Date of Patent:** **** Jan. 7, 2014**

(54) **ELONGATED SIDE HANDLE FOR COOKWARE**

(71) Applicant: **Meyer Intellectual Properties Ltd.,**
Kowloon (HK)

(72) Inventor: **Robert A. Rae, Las Vegas, NV (US)**

(73) Assignee: **Meyer Intellectual Properties Limited**
(VG)

(**) Term: **14 Years**

(21) Appl. No.: **29/444,951**

(22) Filed: **Feb. 6, 2013**

(51) **LOC (10) Cl.** **07-02**

(52) **U.S. Cl.**
USPC **D7/395**

(58) **Field of Classification Search**
USPC D7/354-361, 393-395, 401.2, 664;
D8/107, 300, 303, 307, 313, 321;
D4/138, 129; 16/421, 430, 431, 110.1,
16/407; 220/573.1-573.5, 752, 753, 755,
220/756, 759, 767, 771, 912
See application file for complete search history.

(56) **References Cited**

U.S. PATENT DOCUMENTS

293,752 A * 2/1884 Krahenbeihl et al. ... 16/DIG. 12
D100,267 S * 7/1936 Jannelli D7/395
4,197,611 A * 4/1980 Bell et al. 220/753

D258,861 S * 4/1981 Bratton et al. D7/387
D348,799 S * 7/1994 Munari D7/395
D360,346 S * 7/1995 Huttner D8/321
5,664,520 A * 9/1997 Latimer, III 16/421
D394,783 S * 6/1998 Ancona et al. D7/395
D414,610 S * 10/1999 Davila D4/138
D524,098 S * 7/2006 Minutillo et al. D7/395
D630,888 S * 1/2011 Bodum D7/395
D643,680 S * 8/2011 Bodum D7/395

* cited by examiner

Primary Examiner — Cynthia M Chin

(74) *Attorney, Agent, or Firm* — Edward S. Sherman

(57) **CLAIM**

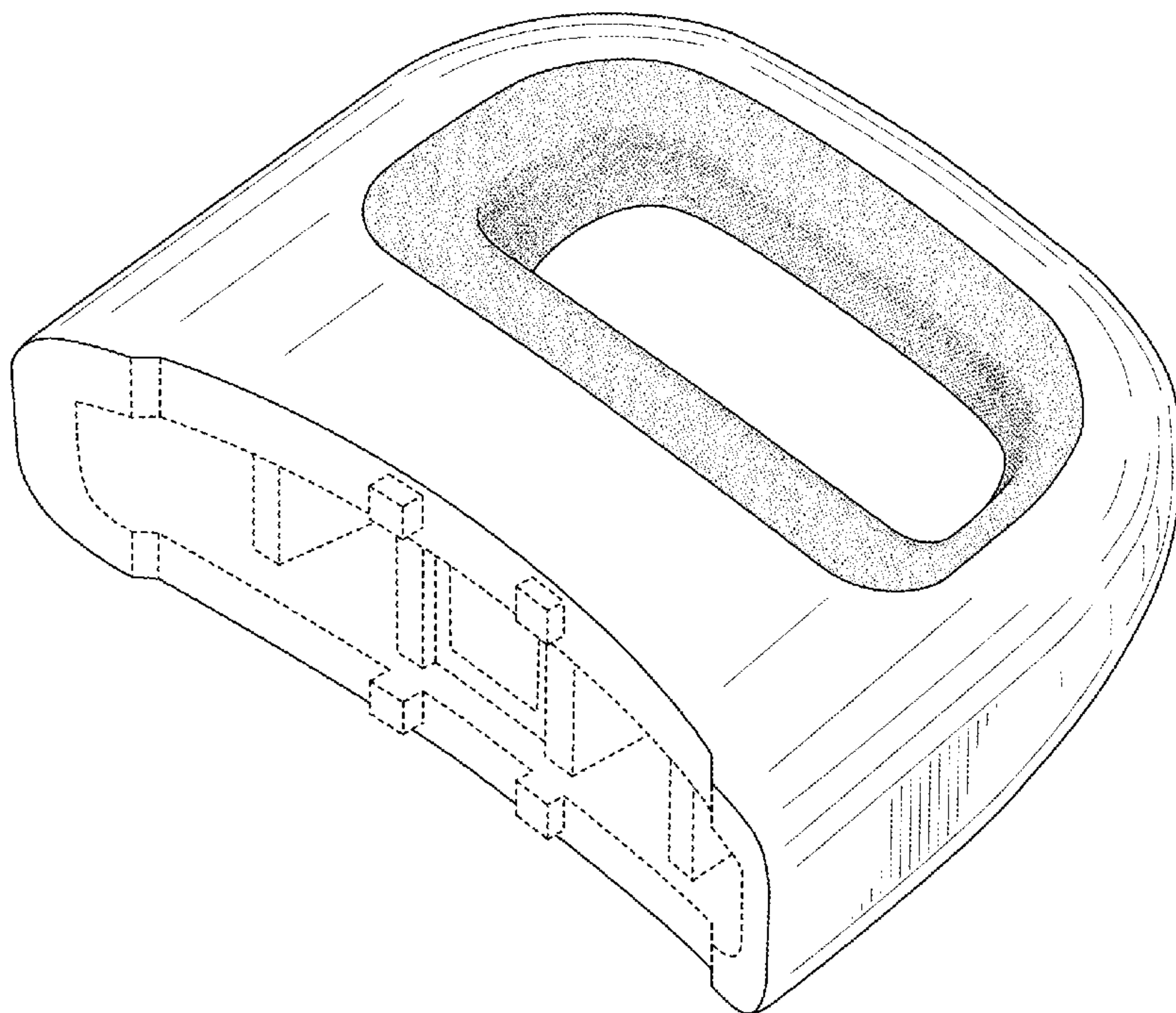
The ornamental design for a elongated side handle for cookware, as shown and described.

DESCRIPTION

FIG. 1 is a perspective view of the “elongated side handle for cookware,” showing my new design; FIG. 2 is a right side elevation view thereof; the left side elevation view being the mirror image thereof, FIG. 3 is a top plan view thereof; FIG. 4 is a bottom plan view thereof; FIG. 5 is a front elevation view thereof; FIG. 6 is a back elevation view thereof; and, FIG. 7 is a cross-sectional elevation thereof taken at reference line 14-14 in FIG. 2.

The broken lines in FIGS. 1-7 are for illustrative purposes only, depicting the environment of the new design, forming no part thereof as claimed.

1 Claim, 7 Drawing Sheets



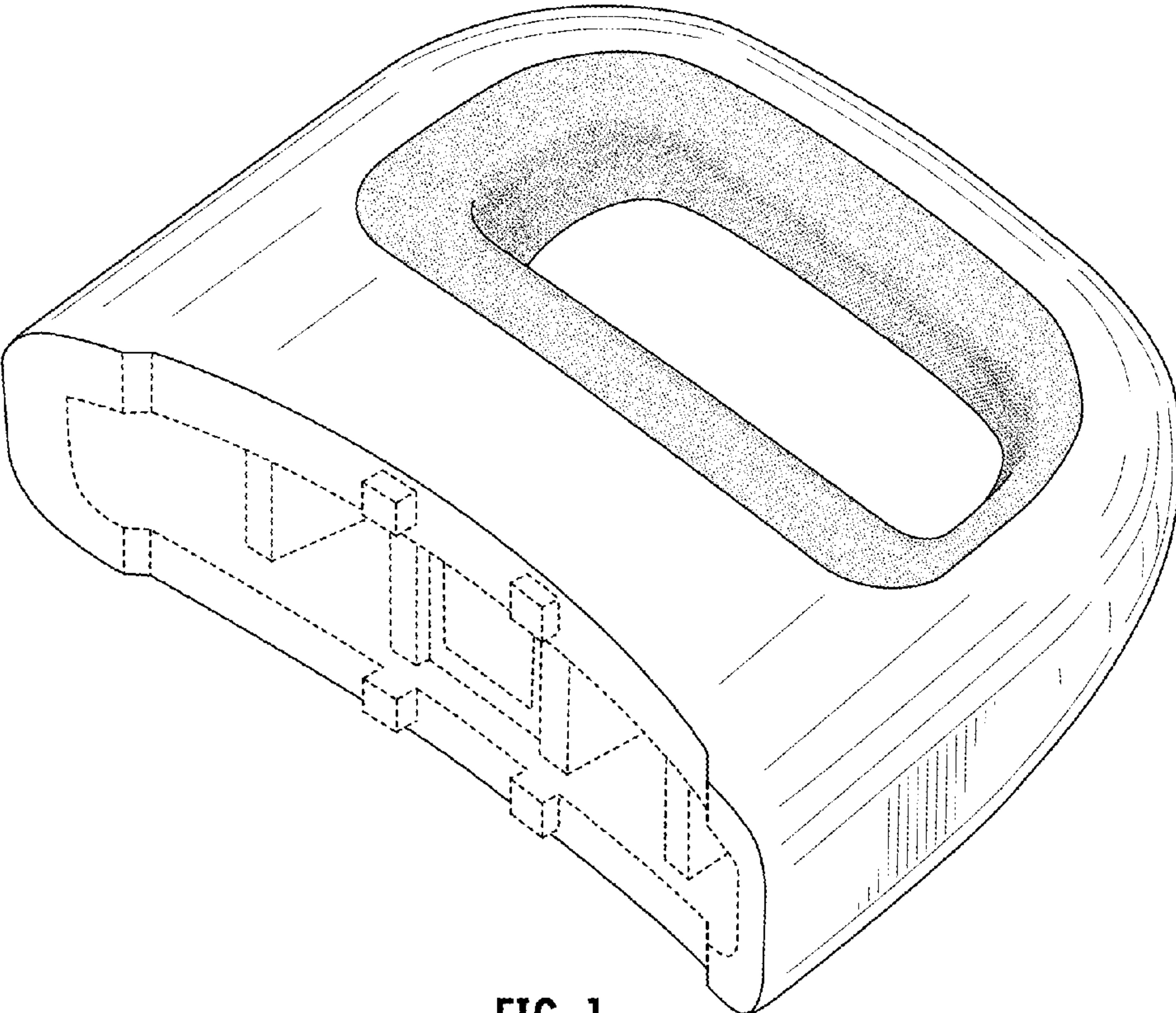


FIG. 1

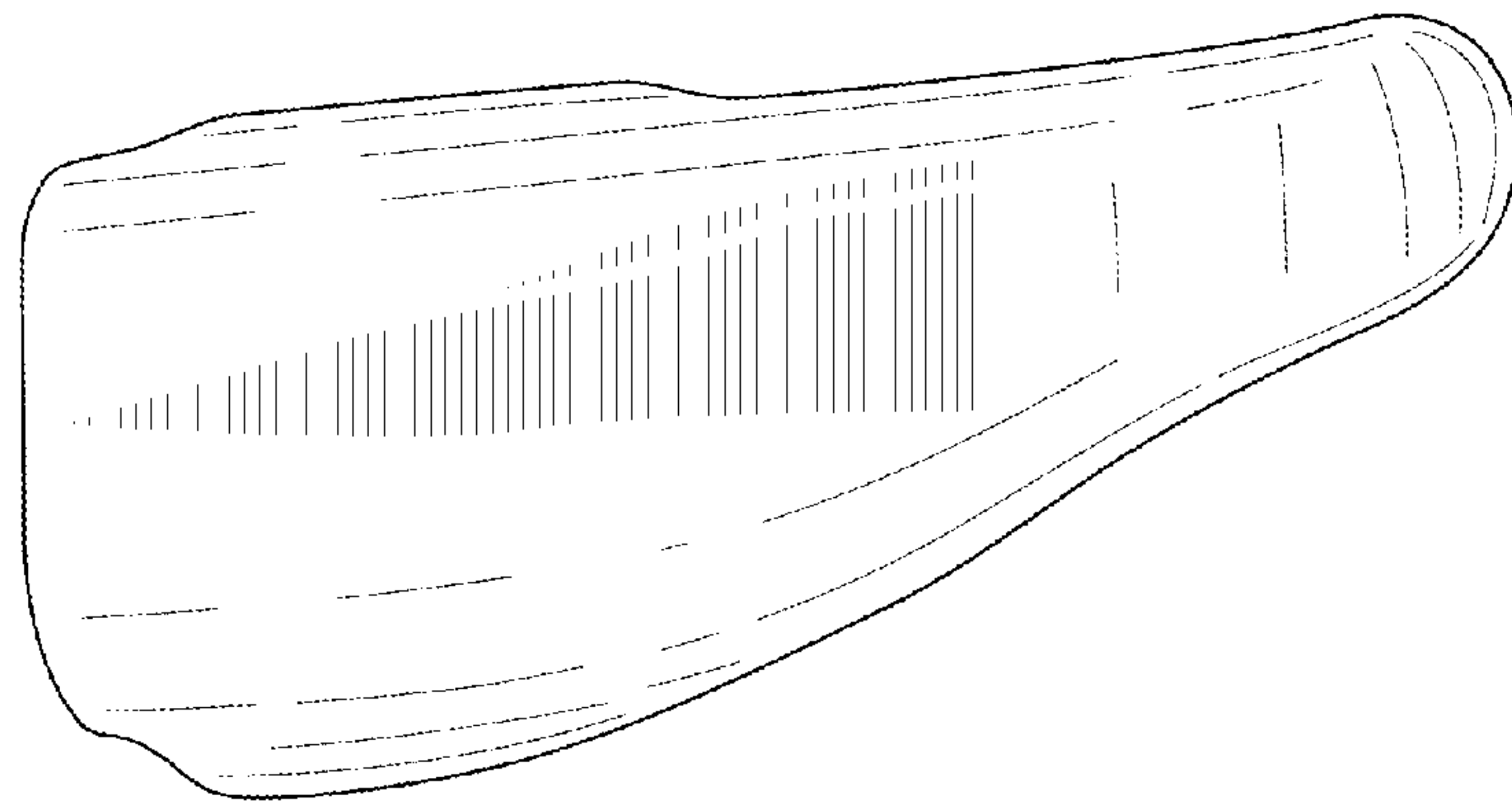


FIG. 2

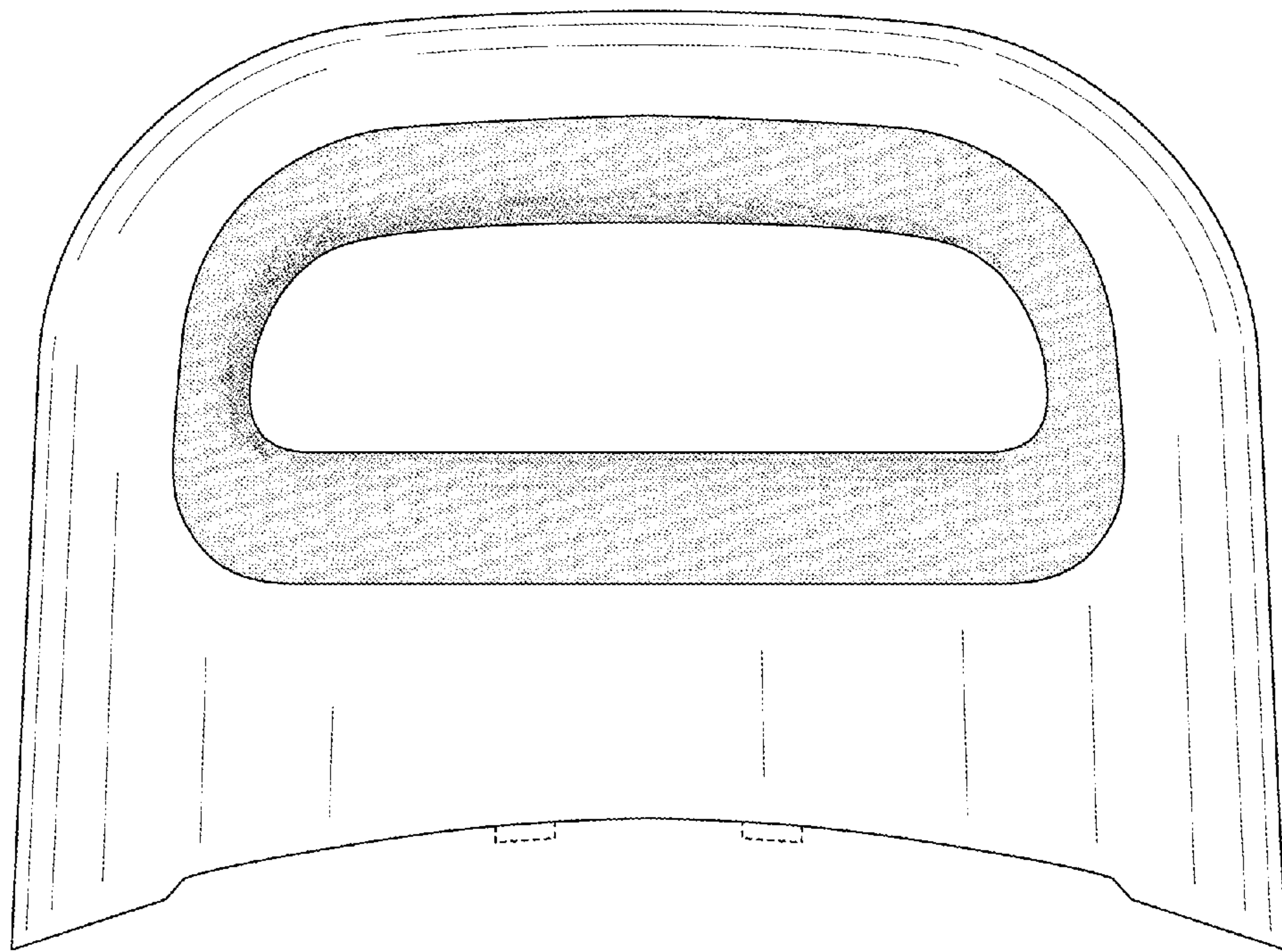


FIG. 3

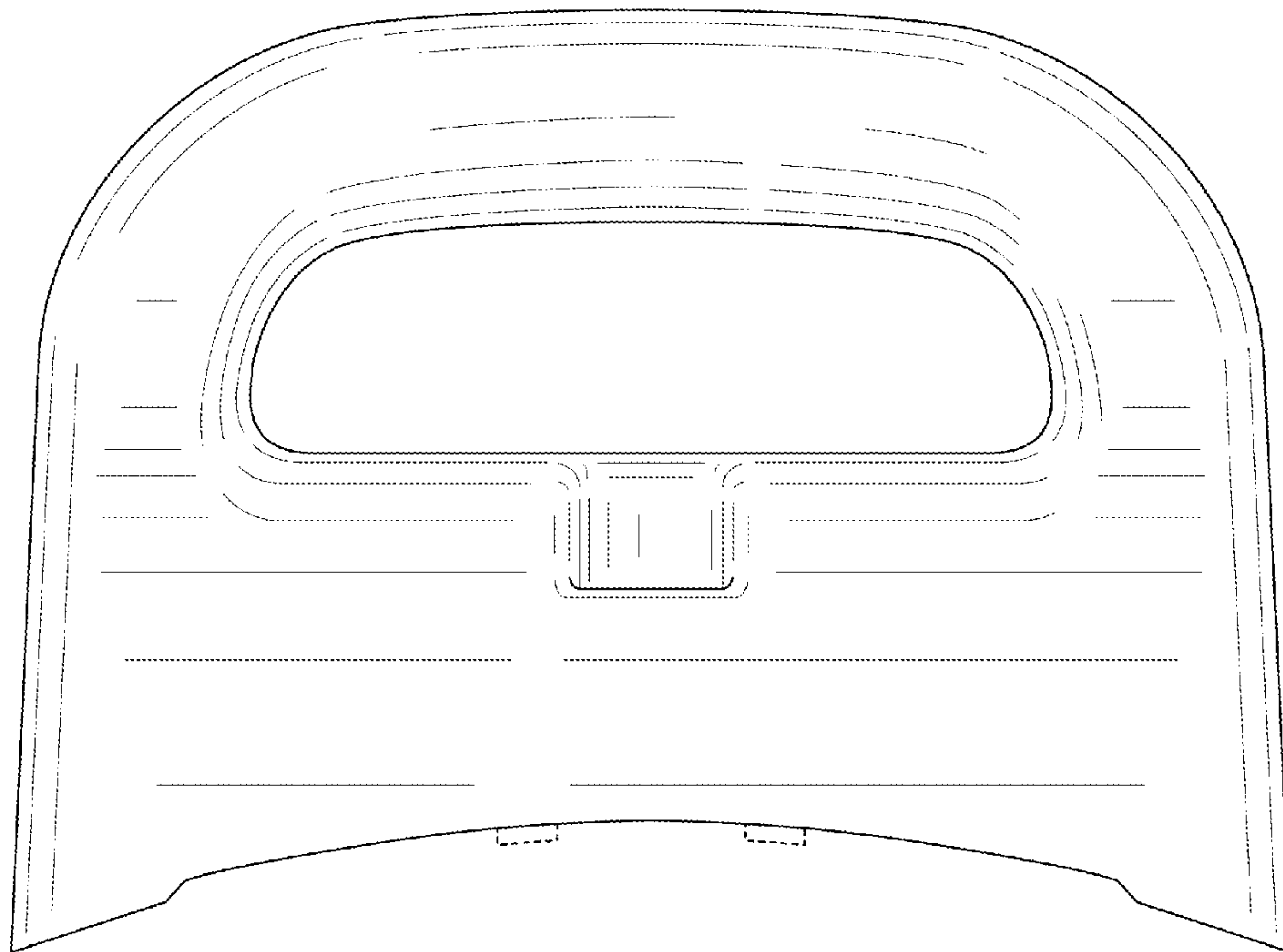


FIG. 4

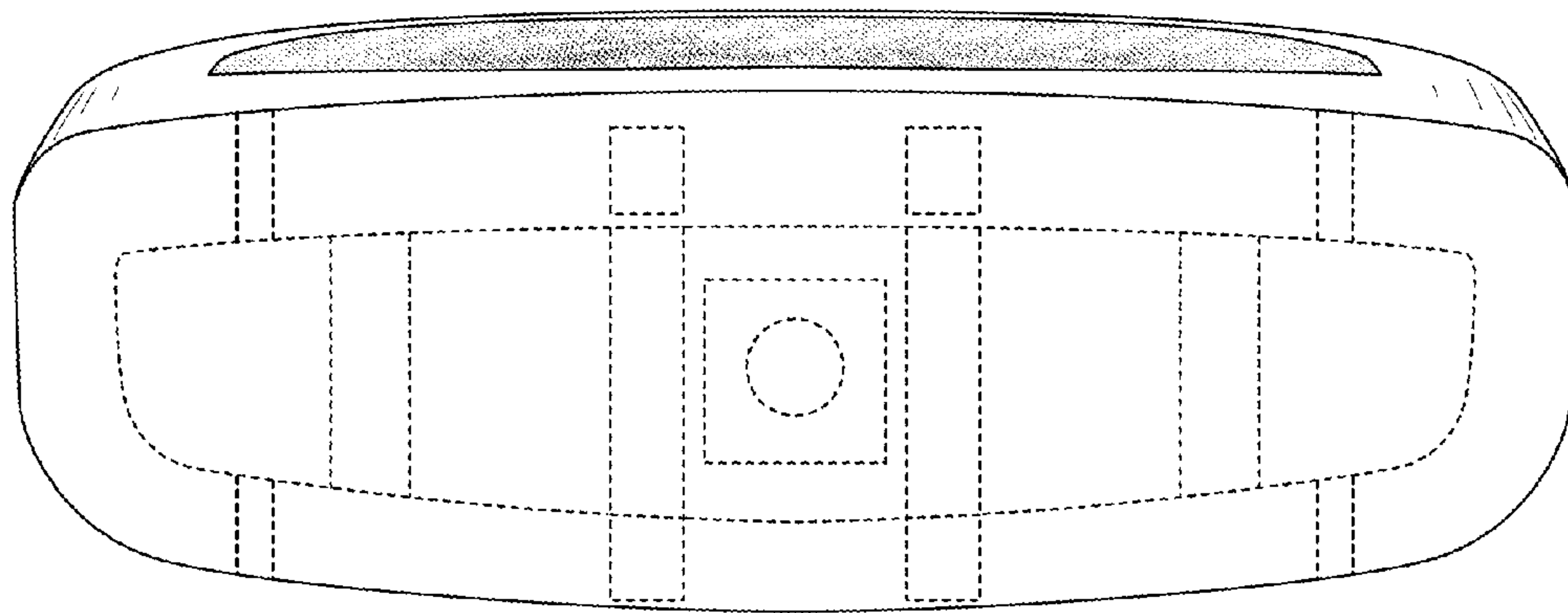


FIG. 5

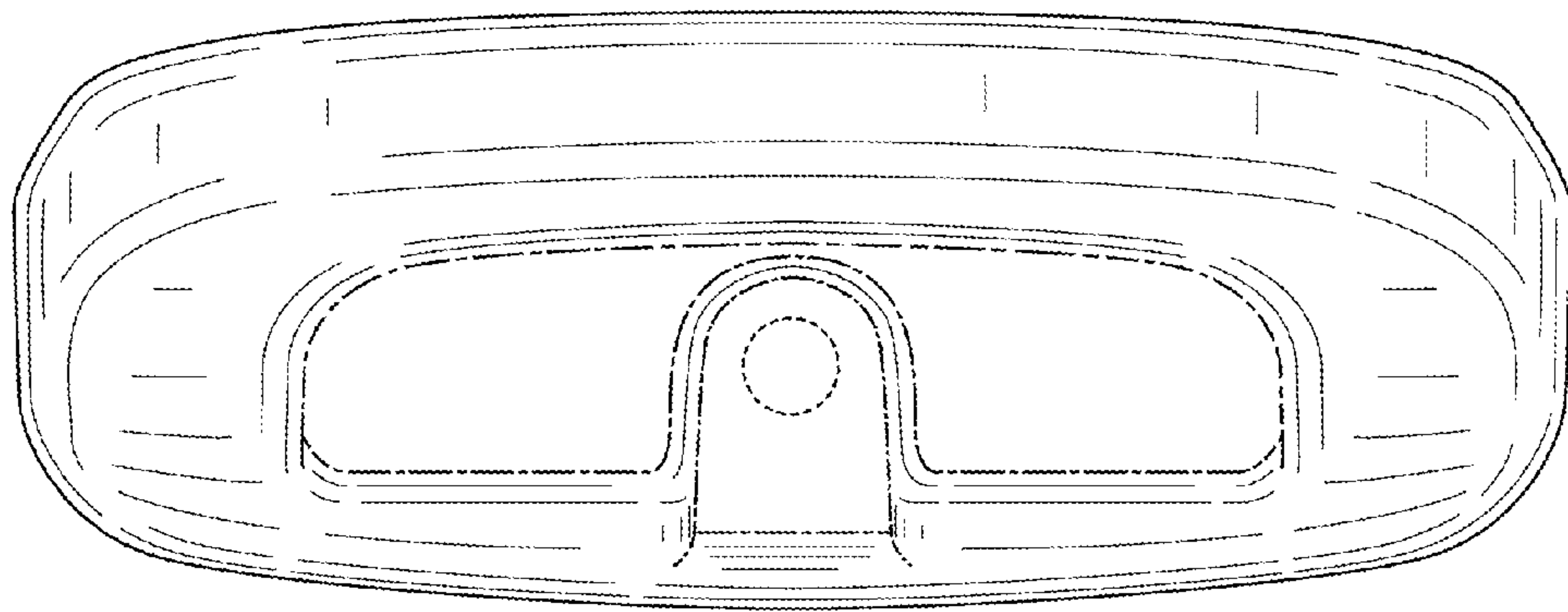


FIG. 6

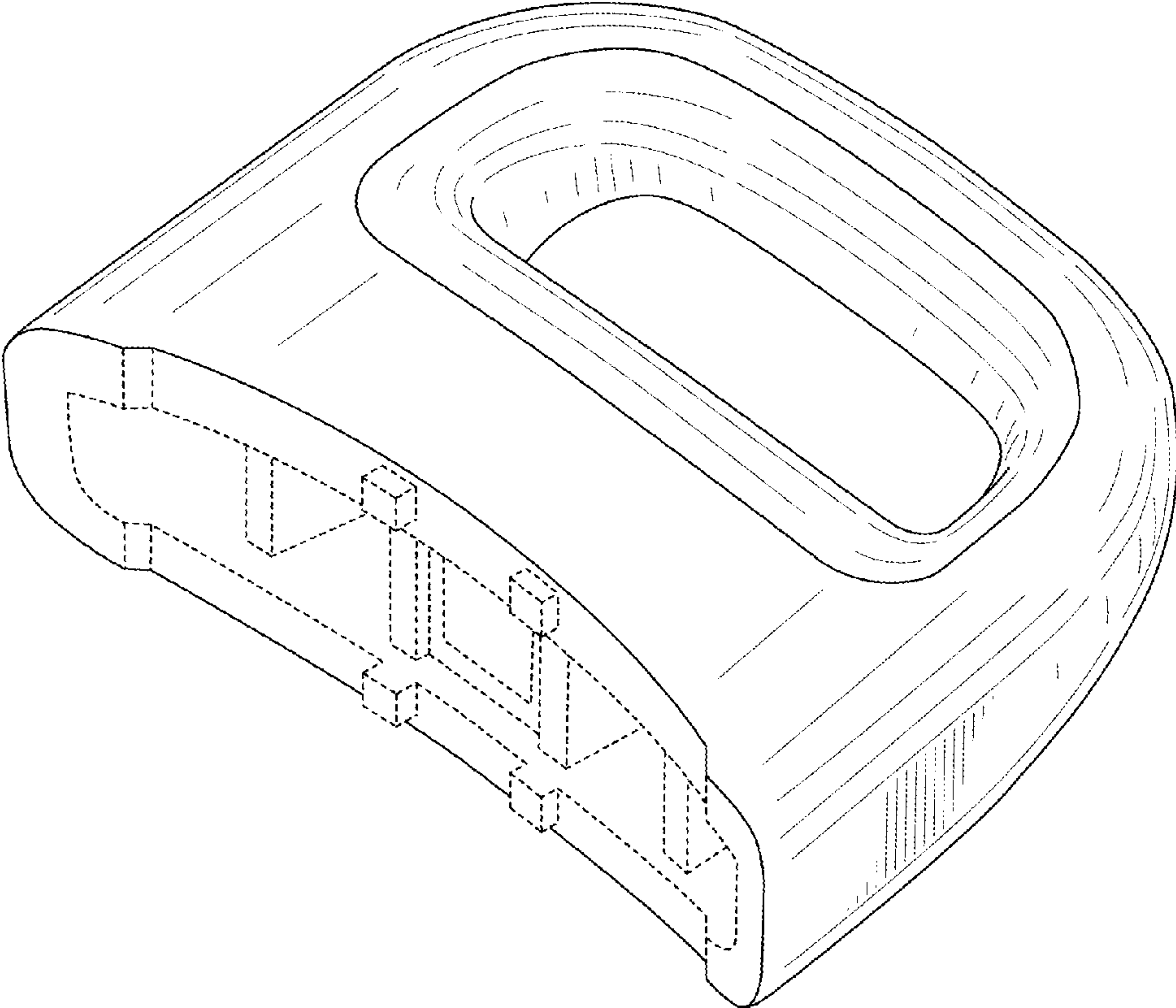


FIG. 7