

US00D696900S

(12) **United States Design Patent**  
**George et al.**

(10) **Patent No.:** **US D696,900 S**  
(45) **Date of Patent:** **\*\* Jan. 7, 2014**

- (54) **BEVERAGE CONTAINER**
- (75) Inventors: **Sarah Danger George**, Vashon, WA (US); **Andrew C. F. Wahl**, Seattle, WA (US)
- (73) Assignee: **Pacific Market International, LLC**, Seattle, WA (US)
- (\*\*) Term: **14 Years**
- (21) Appl. No.: **29/420,594**
- (22) Filed: **May 10, 2012**
- (51) **LOC (10) Cl.** ..... **07-01**
- (52) **U.S. Cl.**  
USPC ..... **D7/392.1; D7/900; D9/443**
- (58) **Field of Classification Search**  
USPC ..... **D7/510, 511, 608, 392.1, 396.2, 900; D9/503, 504, 449; 220/715, 703, 220/254.9, 262**  
See application file for complete search history.

D667,263	S	*	9/2012	Gilbert et al.	.....	D7/392.1
D675,059	S	*	1/2013	Carreno	.....	D7/392.1
D676,708	S	*	2/2013	Lane	.....	D7/510
8,464,895	B2	*	6/2013	Gilbert et al.	.....	220/703
D686,870	S	*	7/2013	Young	.....	D7/392.1

\* cited by examiner

*Primary Examiner* — Marianne Pandozzi  
(74) *Attorney, Agent, or Firm* — Davis Wright Tremaine LLP; George C. Rondeau, Jr.

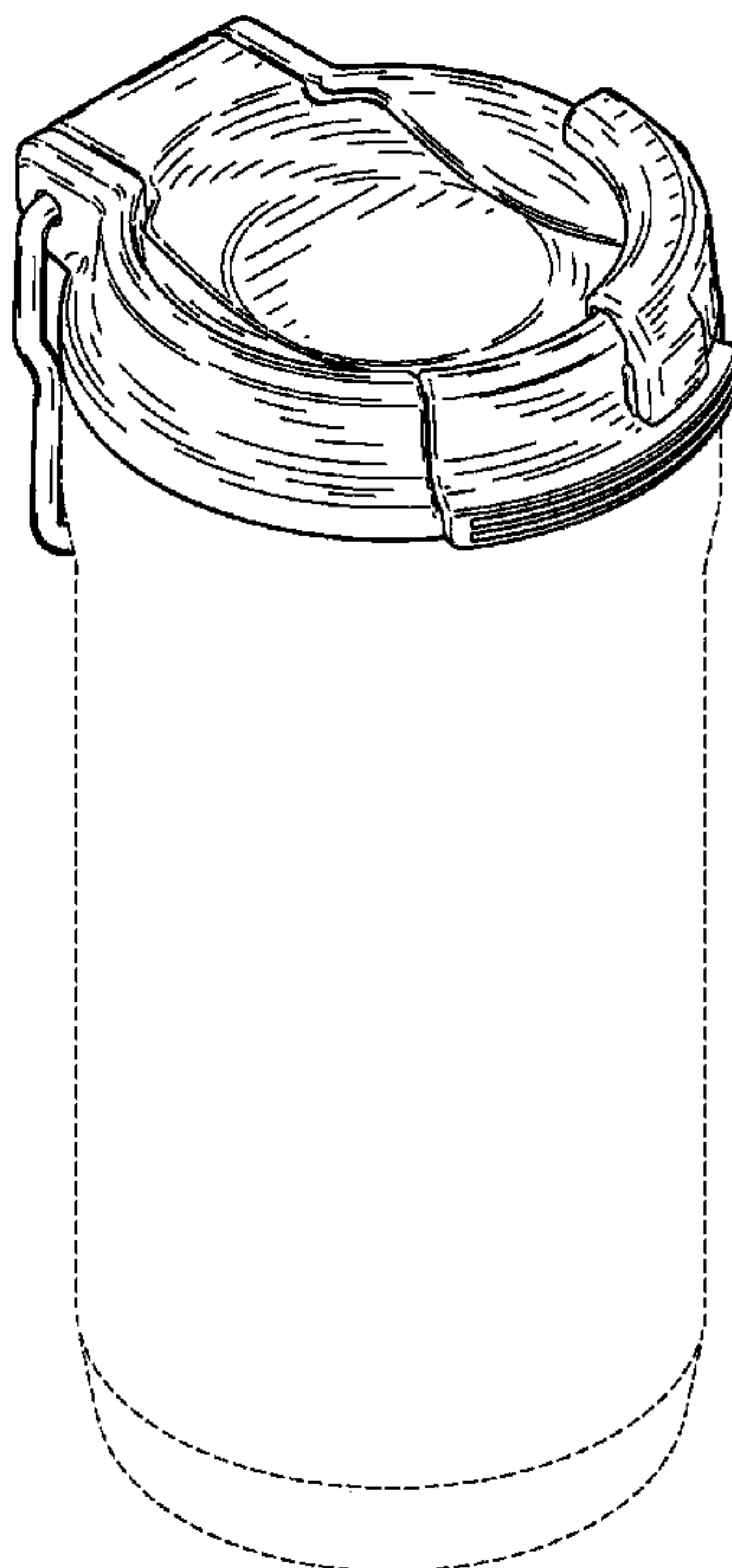
(57) **CLAIM**  
The ornamental design for a beverage container, as shown and described.

**DESCRIPTION**

FIG. 1 is a top front perspective view of a fourth embodiment thereof.  
 FIG. 2 is a right side elevational view thereof.  
 FIG. 3 is a front elevational view thereof.  
 FIG. 4 is a left side elevational view thereof.  
 FIG. 5 is a rear elevational view thereof.  
 FIG. 6 is a top plan view thereof.  
 FIG. 7 is a bottom plan view thereof.  
 FIG. 8 is a top front perspective view of a fifth embodiment thereof.  
 FIG. 9 is a right side elevational view thereof.  
 FIG. 10 is a front elevational view thereof.  
 FIG. 11 is a left side elevational view thereof.  
 FIG. 12 is a rear elevational view thereof.  
 FIG. 13 is a top plan view thereof; and,  
 FIG. 14 is a bottom plan view thereof.  
 The broken lines represent portions of the beverage container that form no part of the claim.

**1 Claim, 12 Drawing Sheets**

- (56) **References Cited**  
U.S. PATENT DOCUMENTS
- |           |   |   |        |                 |       |          |
|-----------|---|---|--------|-----------------|-------|----------|
| 5,310,081 | A | * | 5/1994 | McCabe          | ..... | 220/715  |
| D455,611  | S | * | 4/2002 | Kitamura et al. | ..... | D7/608   |
| D587,969  | S | * | 3/2009 | Gilbert         | ..... | D7/510   |
| D588,411  | S | * | 3/2009 | Watanabe        | ..... | D7/510   |
| D592,012  | S | * | 5/2009 | Carreno         | ..... | D7/510   |
| D596,460  | S | * | 7/2009 | Nezu            | ..... | D7/510   |
| D608,640  | S | * | 1/2010 | Carreno         | ..... | D9/449   |
| D610,402  | S | * | 2/2010 | Carreno         | ..... | D7/396.2 |
| D623,473  | S | * | 9/2010 | Chen            | ..... | D7/510   |
| D655,580  | S | * | 3/2012 | Kotani          | ..... | D7/608   |



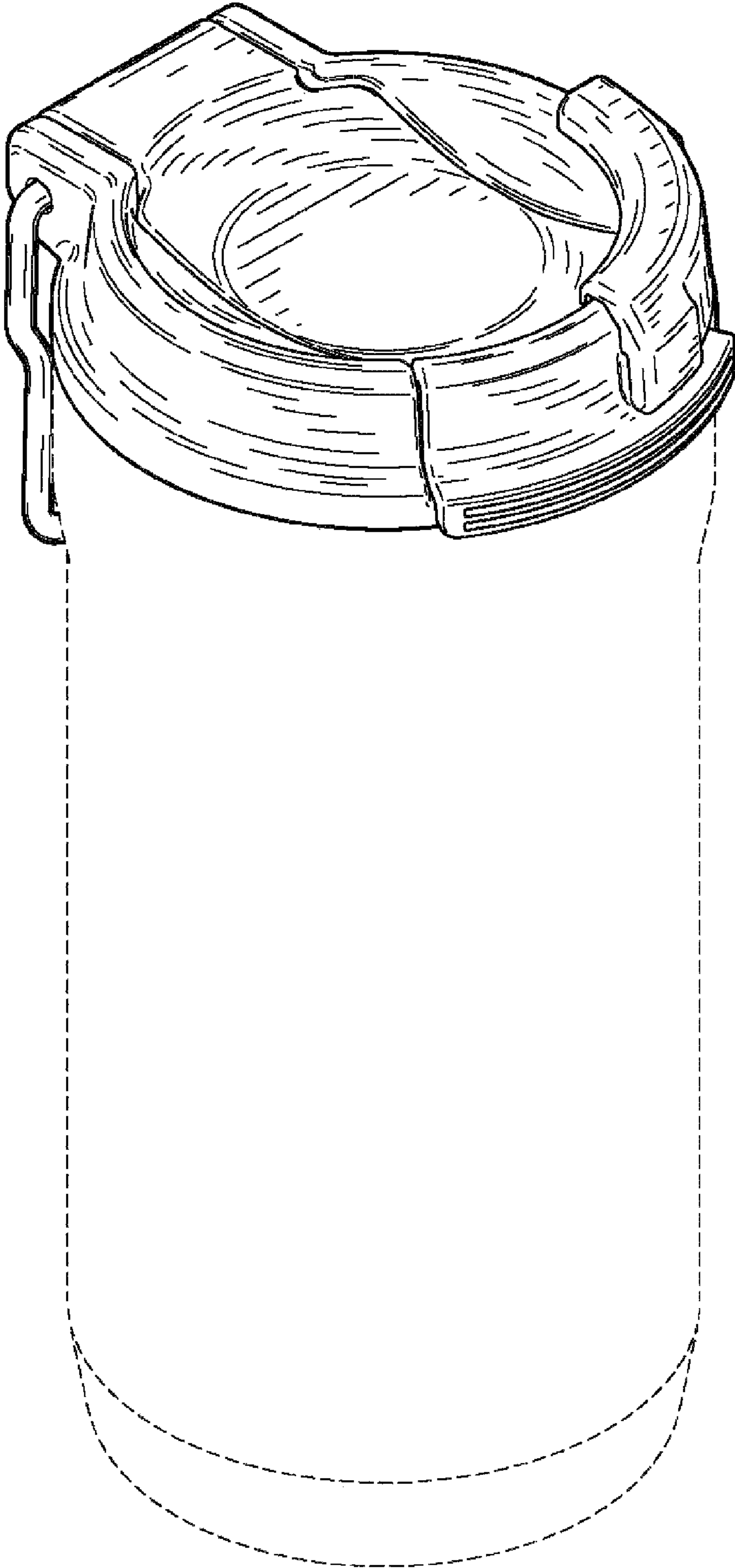


FIG. 1

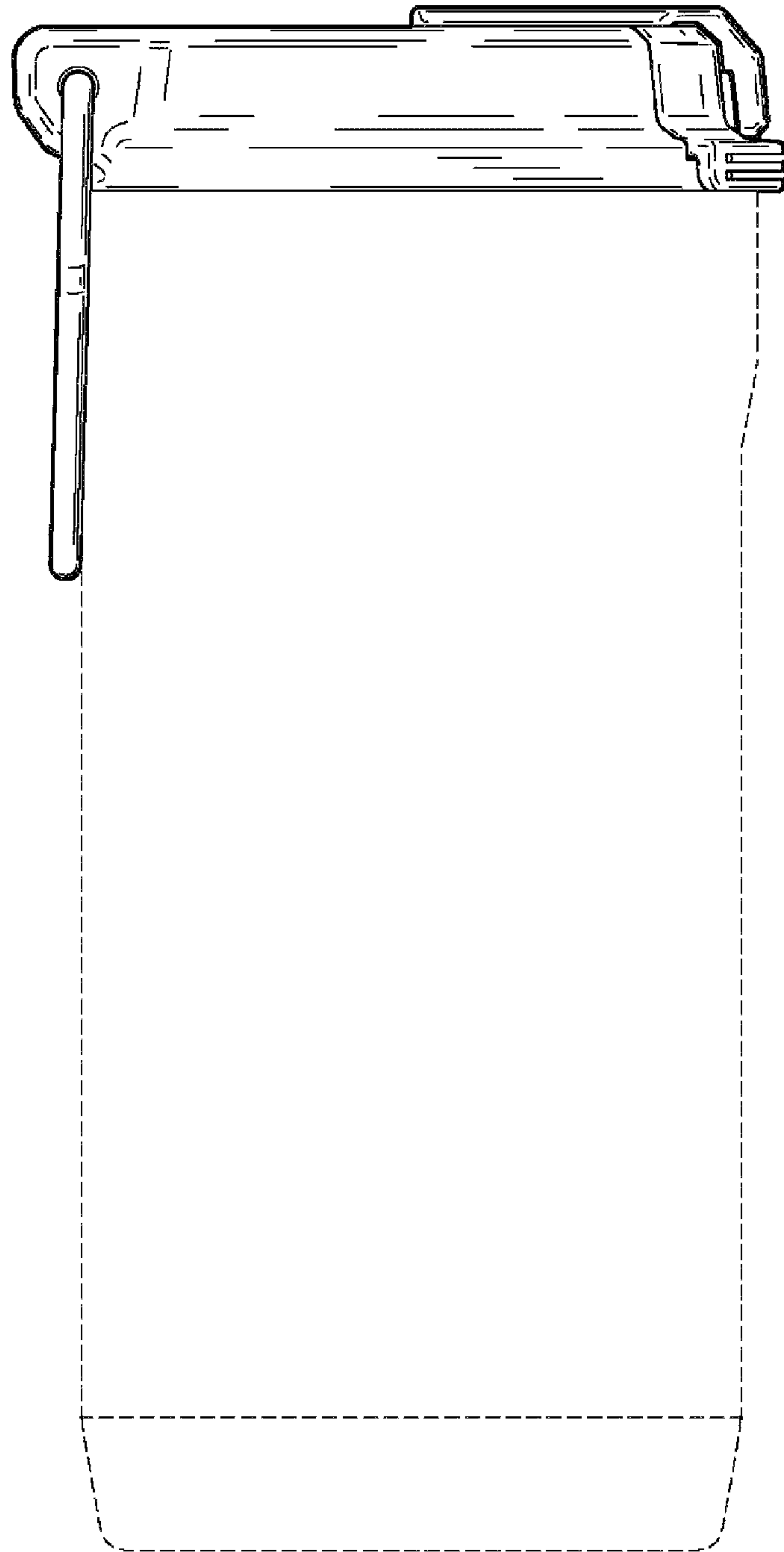


FIG. 2

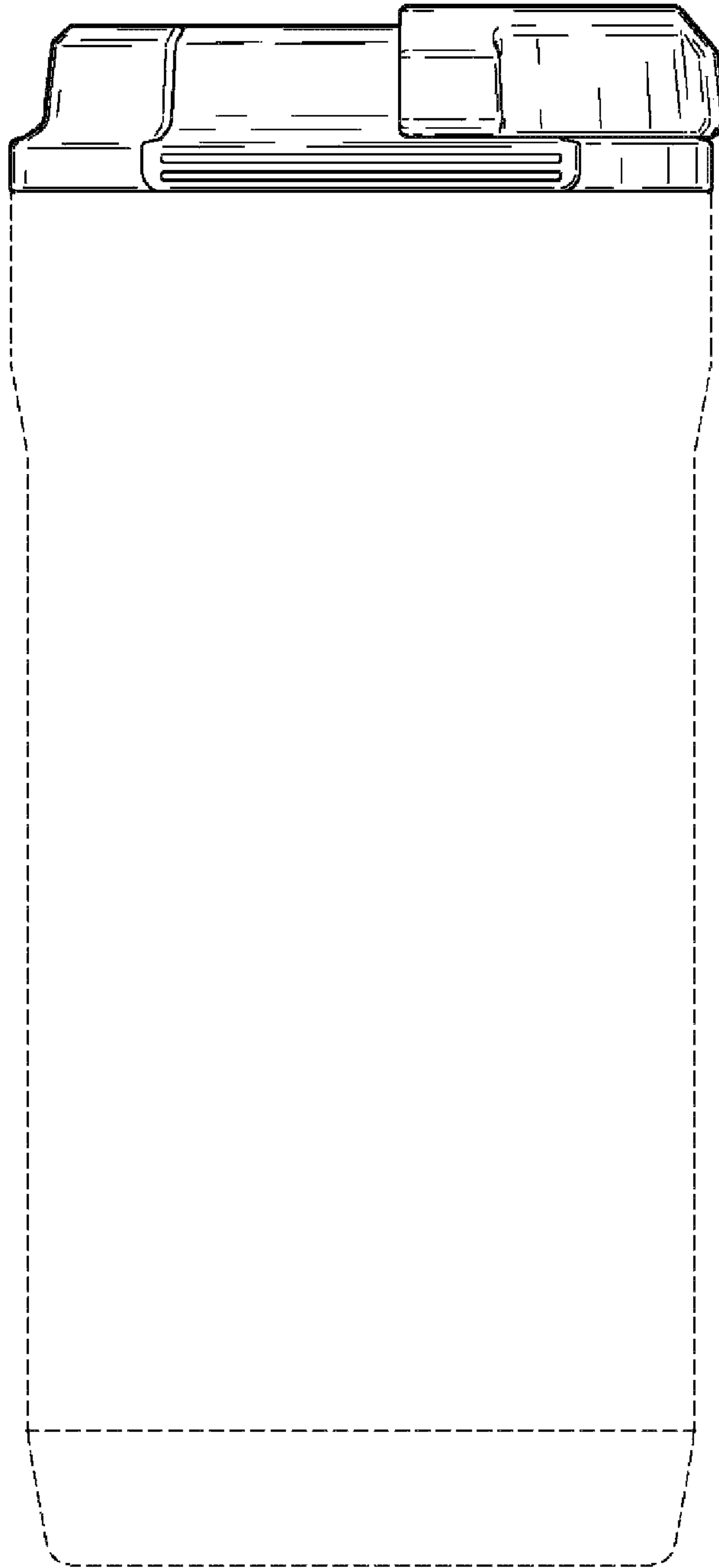


FIG. 3

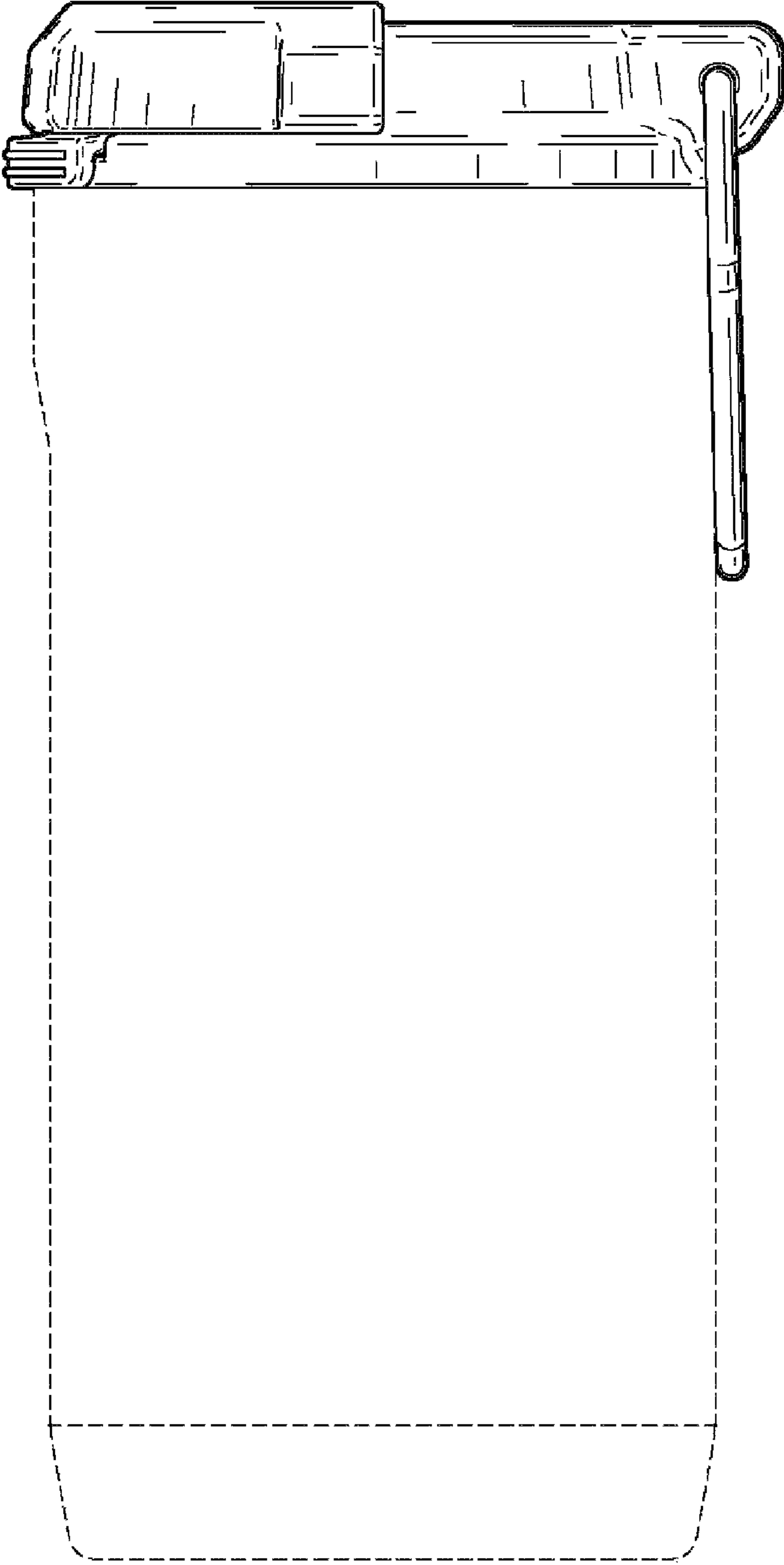


FIG. 4

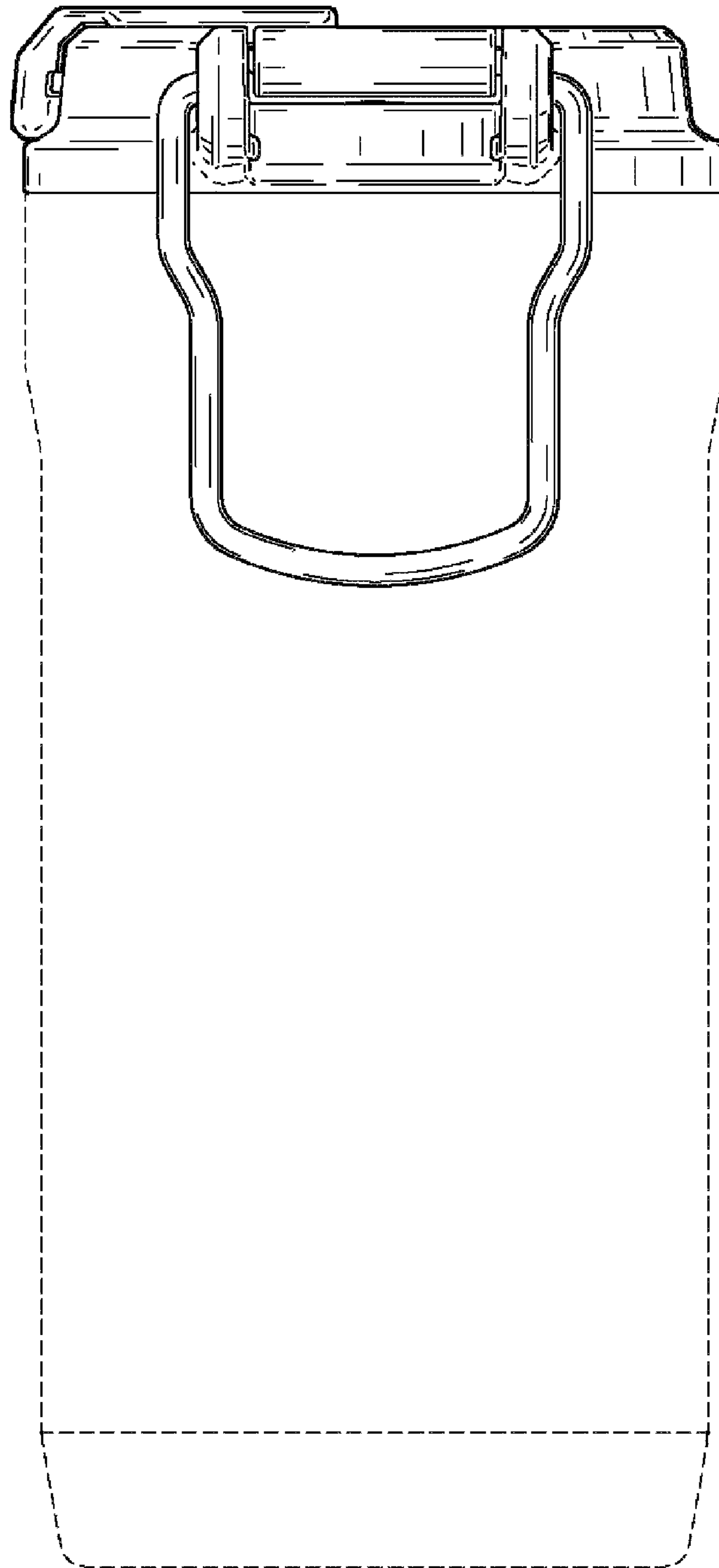


FIG. 5

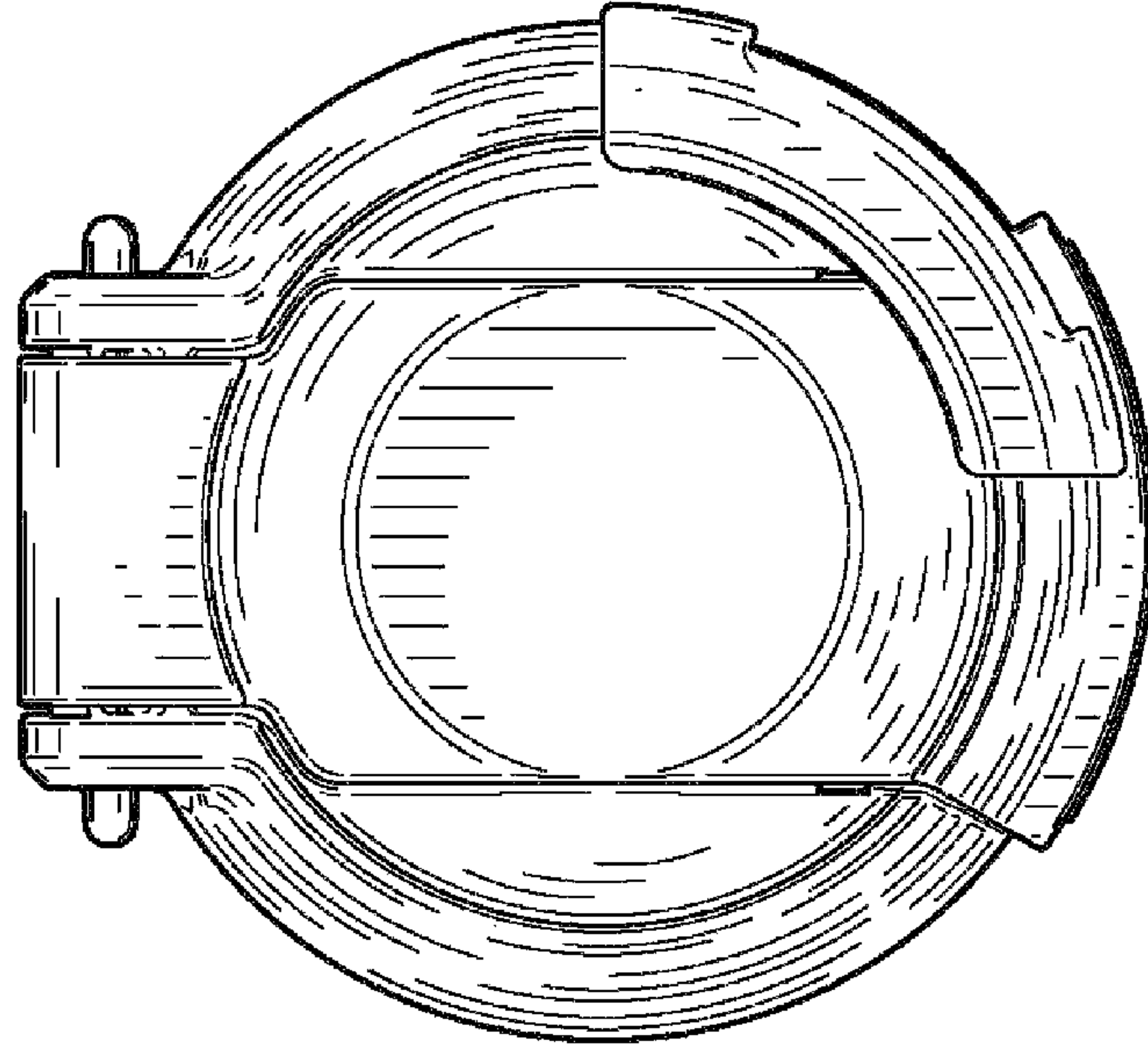


FIG. 6

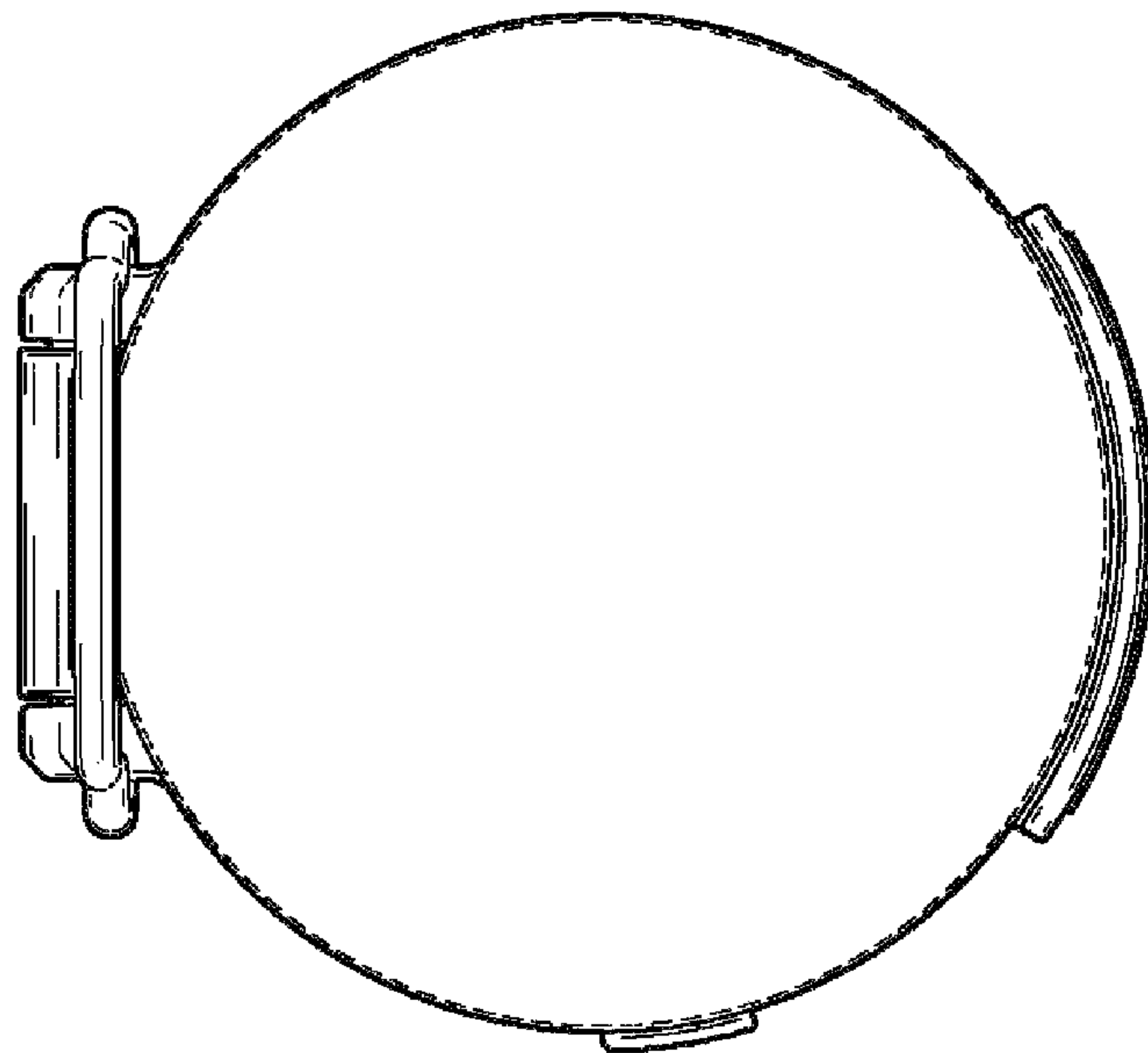


FIG. 7



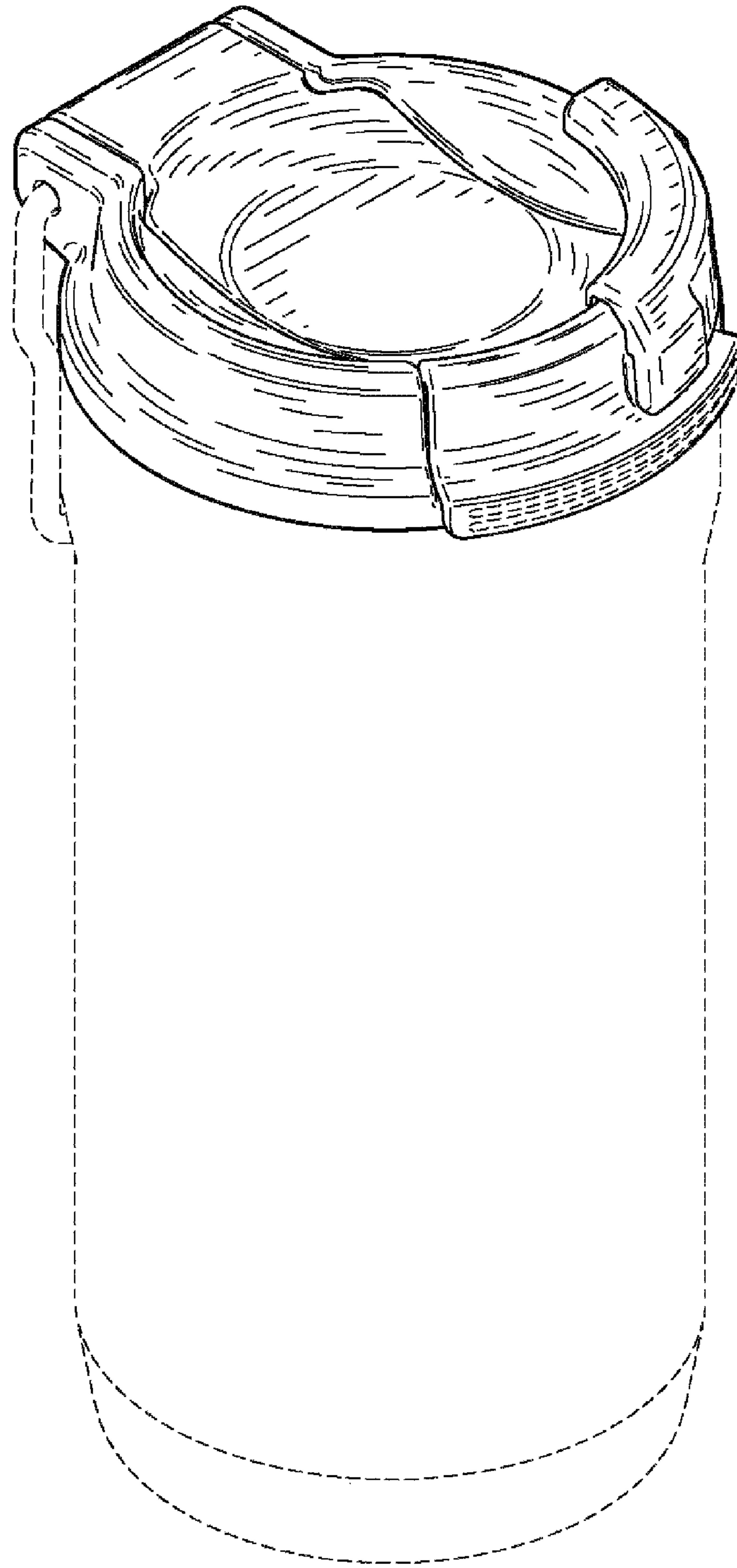


FIG. 8



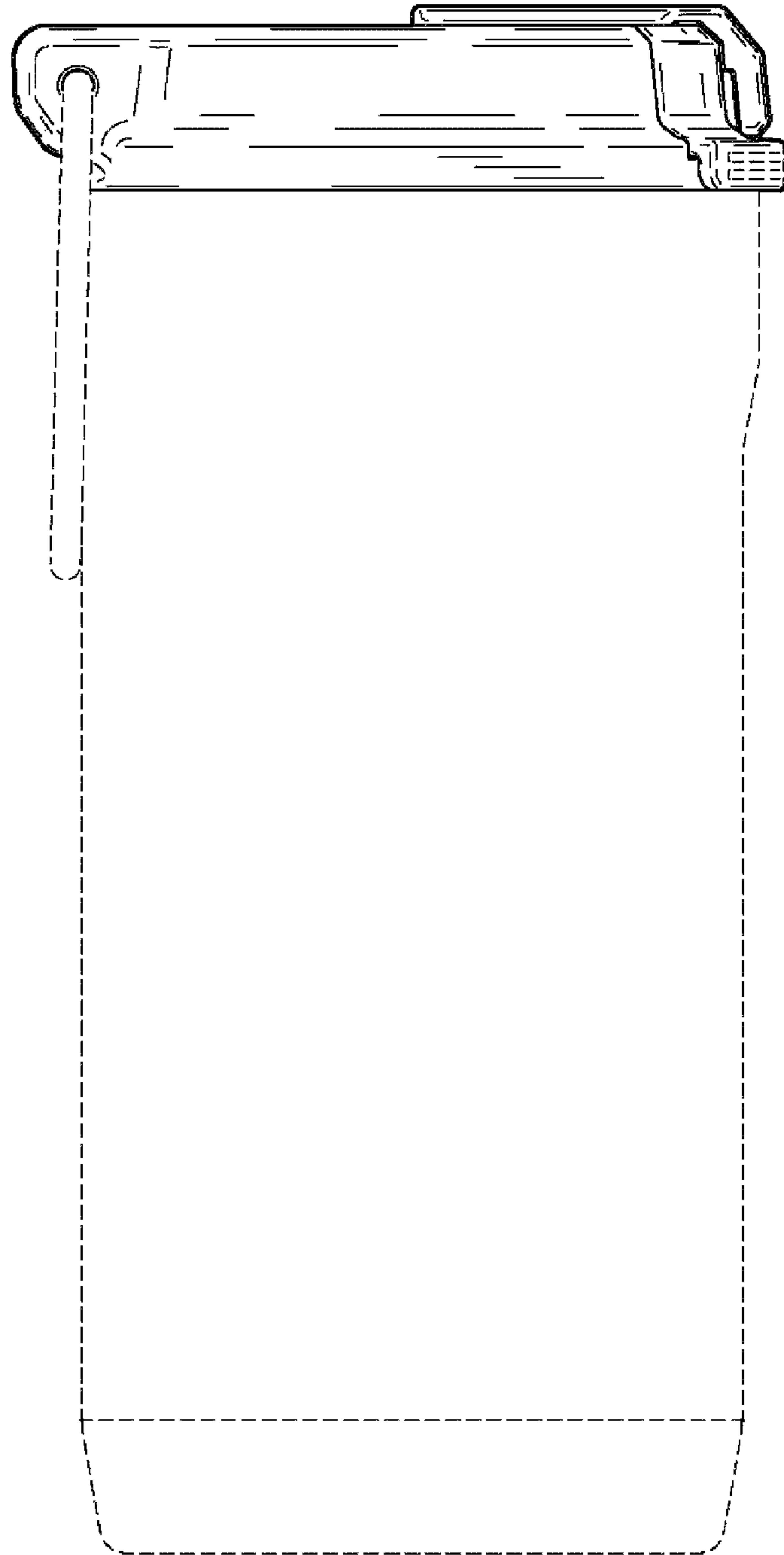


FIG. 9

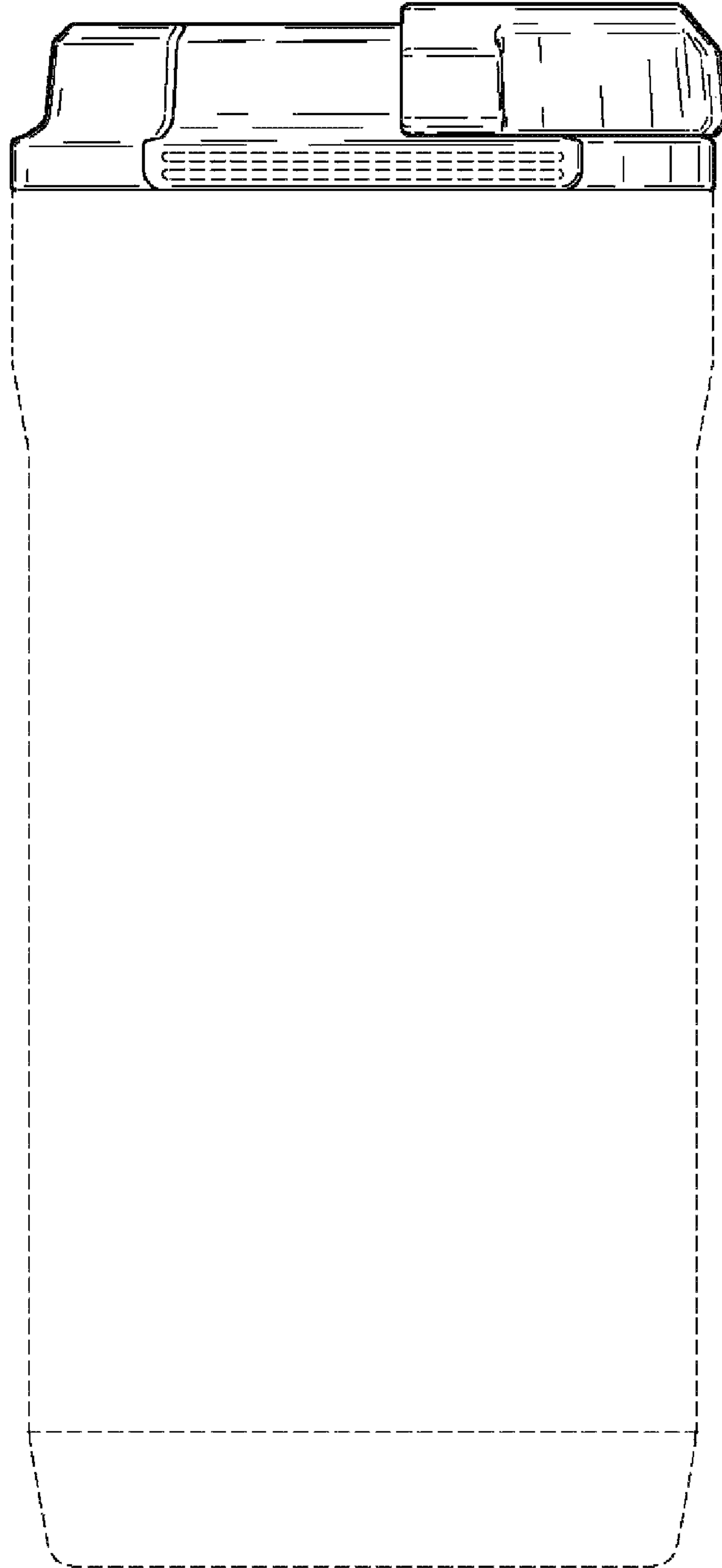


FIG. 10

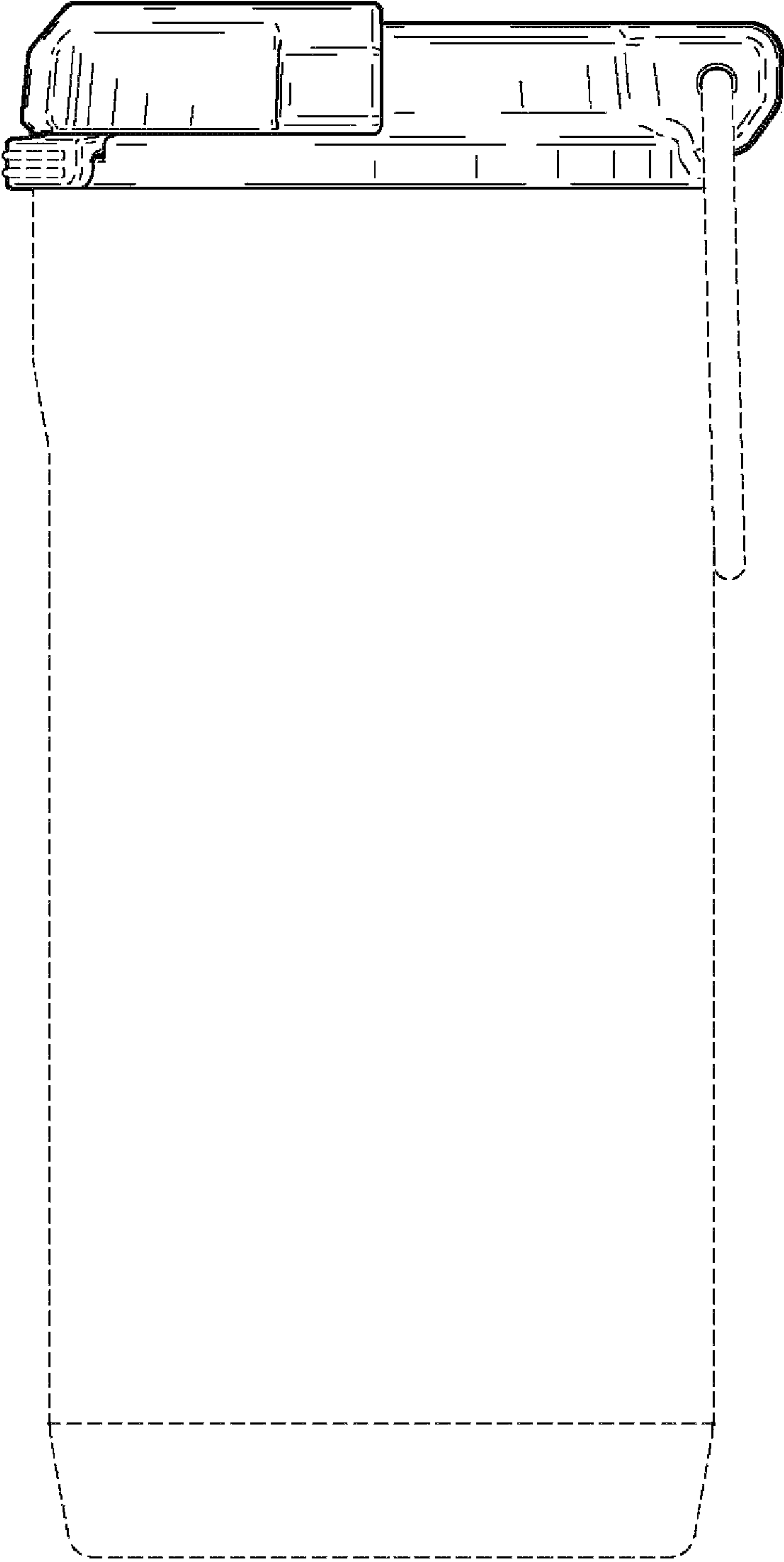


FIG. 11

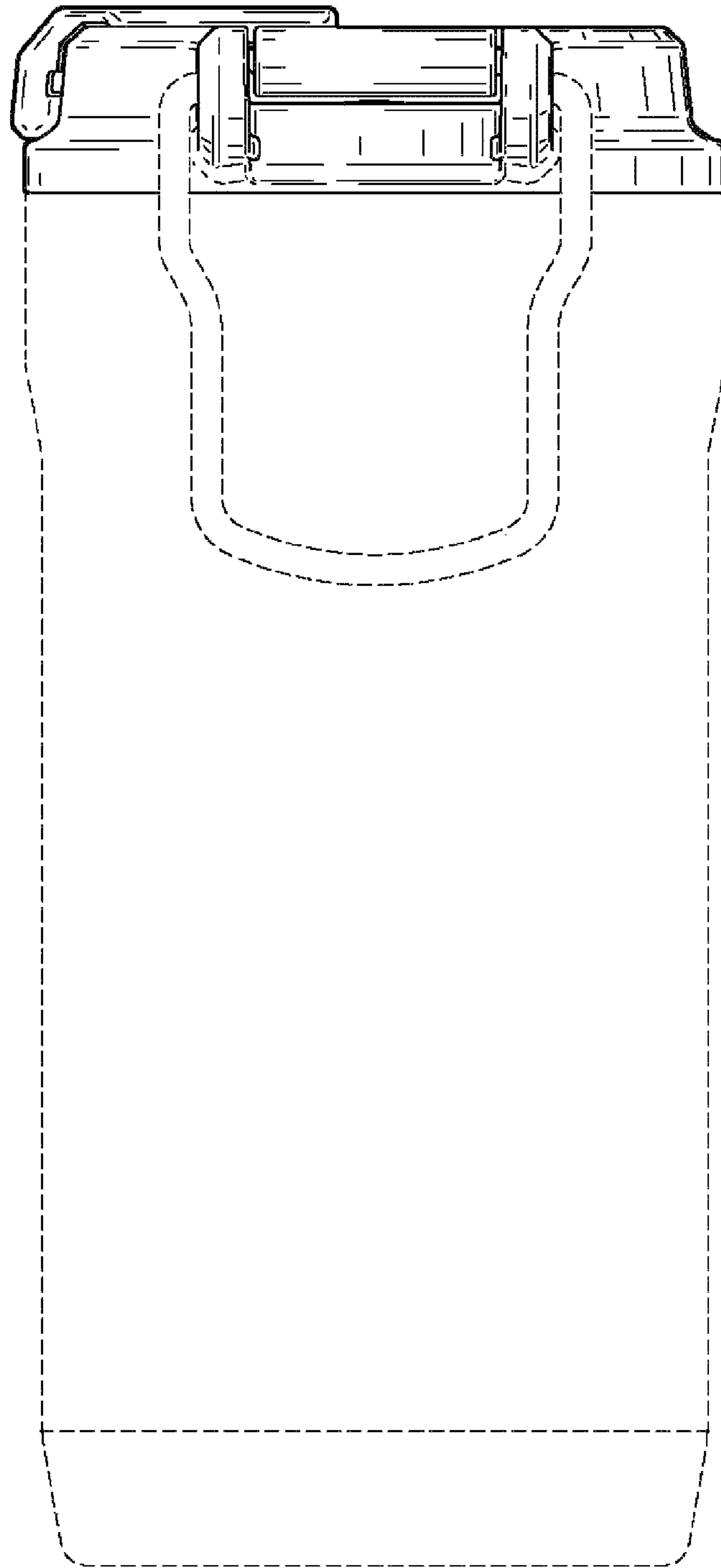


FIG. 12

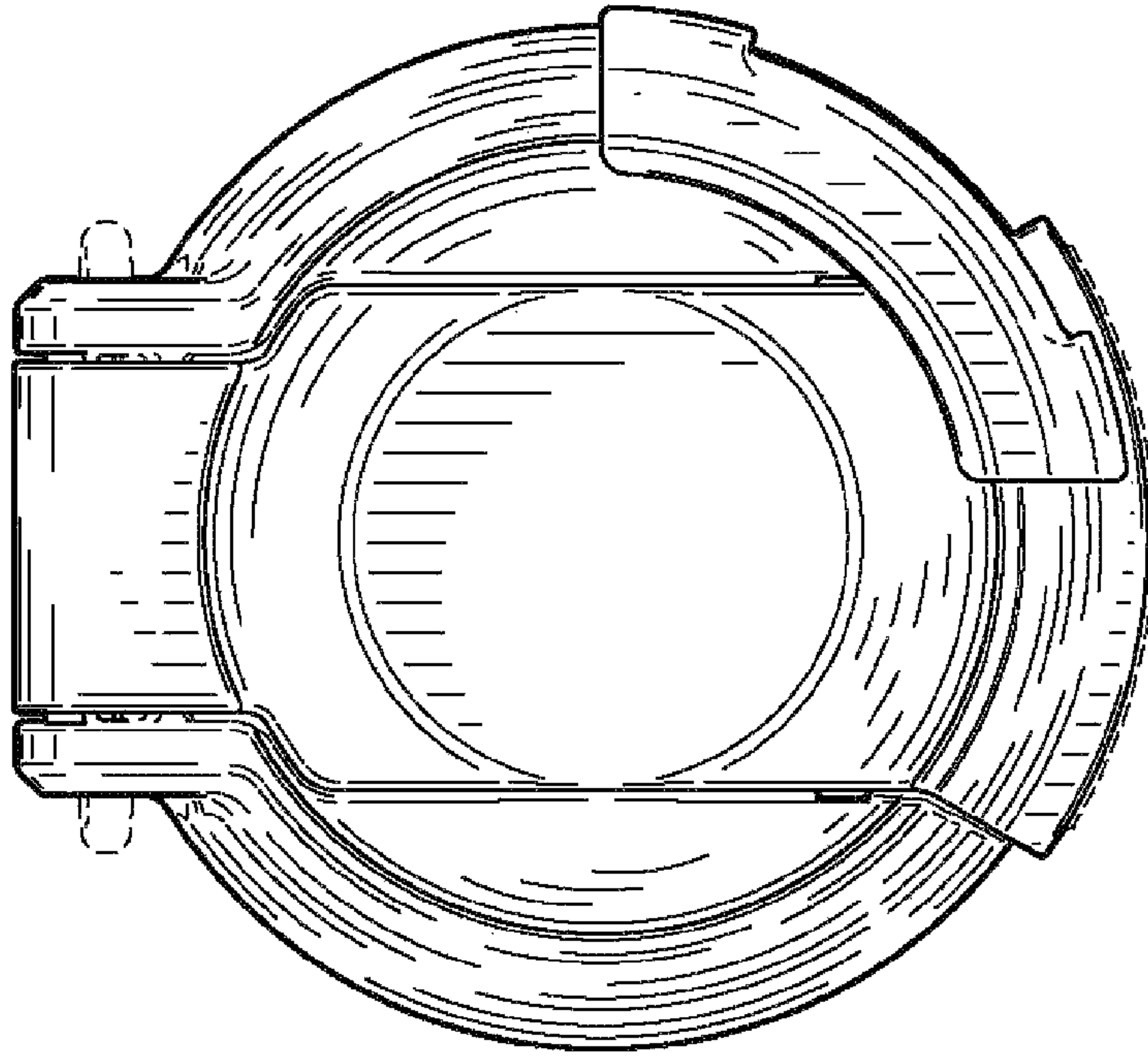


FIG. 13

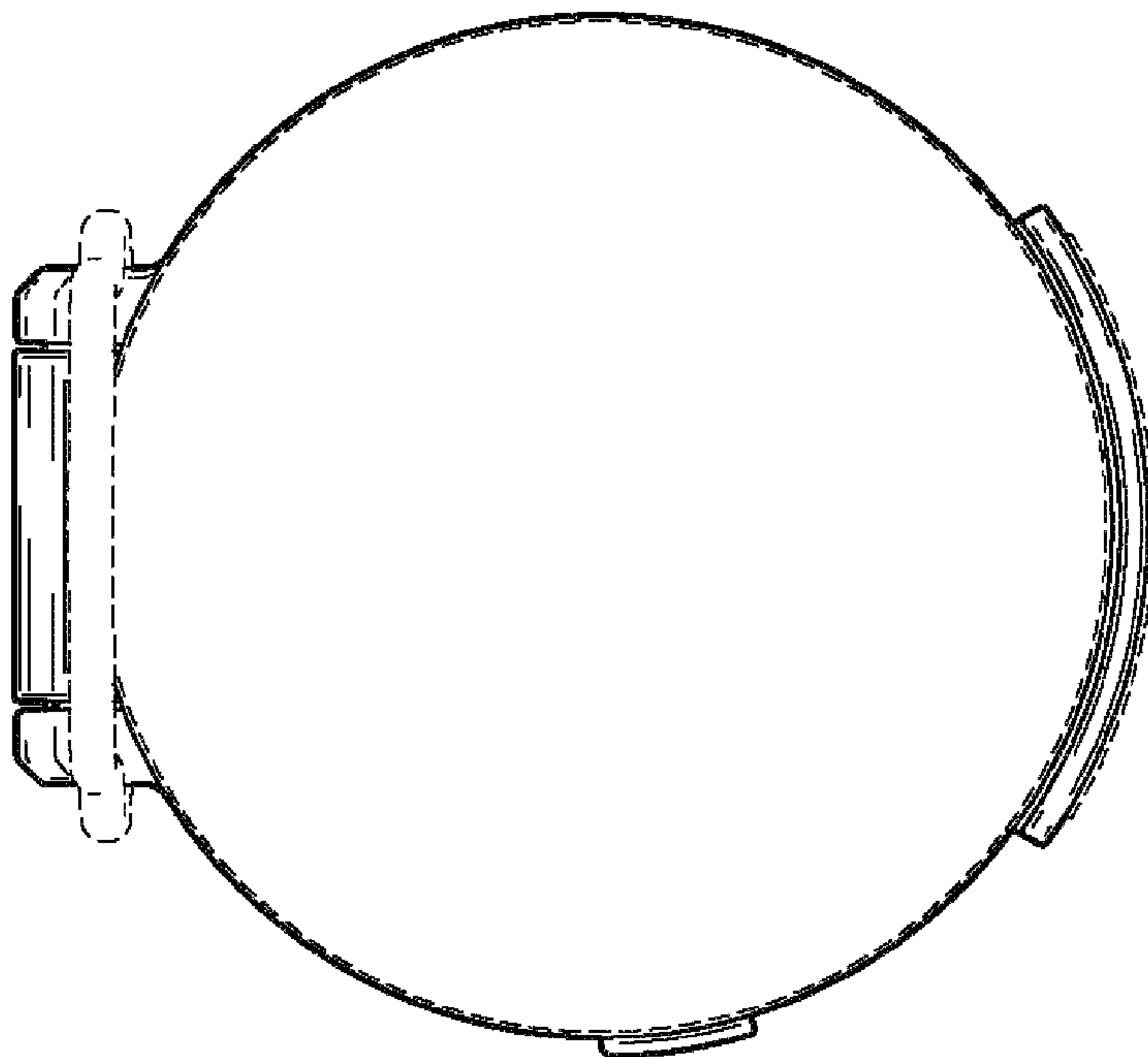


FIG. 14