



US00D696899S

(12) **United States Design Patent**  
**Rae**

(10) **Patent No.:** **US D696,899 S**  
(45) **Date of Patent:** **\*\* Jan. 7, 2014**

- (54) **COOKWARE LID**
- (71) Applicant: **Meyer Intellectual Properties Ltd.,**  
Hong Kong (CN)
- (72) Inventor: **Robert A. Rae,** Las Vegas, NV (US)
- (73) Assignee: **Meyer Intellectual Properties Limited**  
(VG)
- (\*\*) Term: **14 Years**
- (21) Appl. No.: **29/447,280**
- (22) Filed: **Mar. 1, 2013**
- (51) **LOC (10) Cl.** ..... **07-02**
- (52) **U.S. Cl.**  
USPC ..... **D7/391; D7/354**
- (58) **Field of Classification Search**  
USPC ..... D7/307, 323, 329-332, 339, 346-347,  
D7/350.1-350.4, 353-367, 391-395, 402,  
D7/406, 409, 538, 542, 629; 99/324-325,  
99/331-332, 337-343, 369, 400-418, 422,  
99/425, 444, 451, 483; 126/37 R, 261,  
126/374.1, 378.1; 206/501-505, 507-508;  
219/400, 405, 429-442, 620-624, 725,  
219/730-735; 220/203.05, 203.07, 203.09,  
220/298, 315-316, 377-379, 573.1-573.5,  
220/792, 912; 426/438, 441  
See application file for complete search history.

- D589,295 S \* 3/2009 Rohrer ..... D7/360
- D625,949 S \* 10/2010 Rae ..... D7/391
- D630,042 S \* 1/2011 Rae ..... D7/391
- D631,281 S \* 1/2011 Bodum ..... D7/354
- D639,109 S \* 6/2011 Molayem ..... D7/356
- D641,201 S \* 7/2011 Molayem ..... D7/356
- D643,681 S \* 8/2011 Bodum ..... D7/395
- 2004/0216620 A1 \* 11/2004 Quiggins et al. .... 99/413

\* cited by examiner

*Primary Examiner* — Ricky Pham

(74) *Attorney, Agent, or Firm* — Edward S. Sherman

(57) **CLAIM**

The ornamental design for a cookware lid, as shown and described.

**DESCRIPTION**

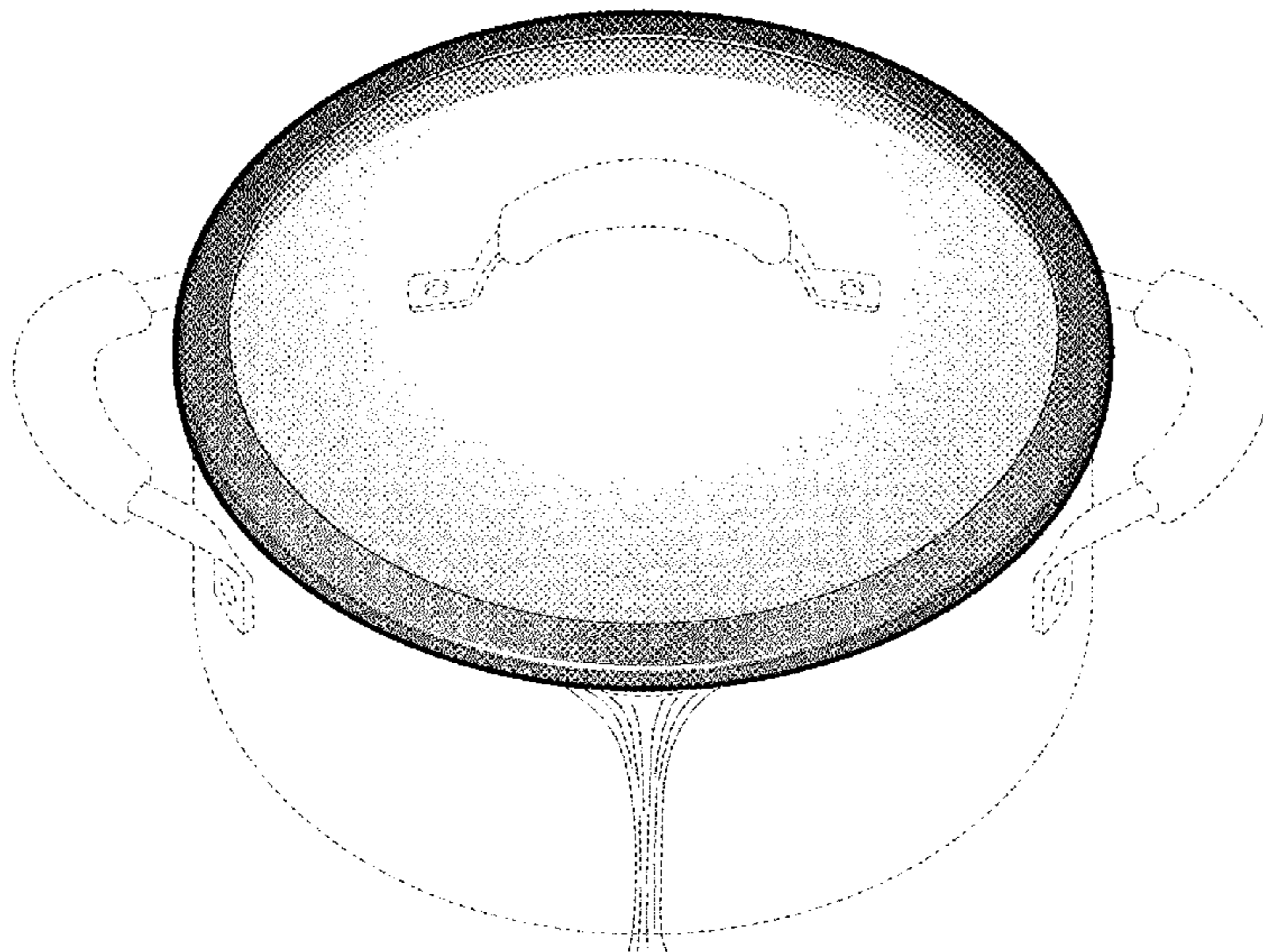
FIG. 1 is a top perspective view of the cookware lid, showing my new design;  
 FIG. 2 is a front elevation thereof;  
 FIG. 3 is a back elevation view thereof;  
 FIG. 4 is a top plan view thereof;  
 FIG. 5 is a bottom plan view thereof;  
 FIG. 6 is a right side elevation view thereof, the left side elevation view being the mirror image thereof;  
 FIG. 7 is a cross-sectional elevation view thereof at section line 7-7 in FIG. 4;  
 FIG. 8 is an enlarged cross-sectional elevation view of the portion indicated by reference number 8 in FIG. 7;  
 FIG. 9 is a bottom perspective view thereof; and,  
 FIG. 10 is a top perspective view thereof in use on a vessel that is tilted forward.  
 The broken lines in FIGS. 1-7, 9 and 10 are for illustrative purposes only, depicting the environment of the new design, forming no part thereof as claimed.

**1 Claim, 6 Drawing Sheets**

(56) **References Cited**

**U.S. PATENT DOCUMENTS**

- D482,929 S \* 12/2003 Rae ..... D7/394
- 6,848,592 B2 \* 2/2005 Logiudice ..... 220/377
- D506,350 S \* 6/2005 Cheng ..... D7/360
- D507,931 S \* 8/2005 Rae ..... D7/393
- D569,681 S \* 5/2008 Rae ..... D7/391



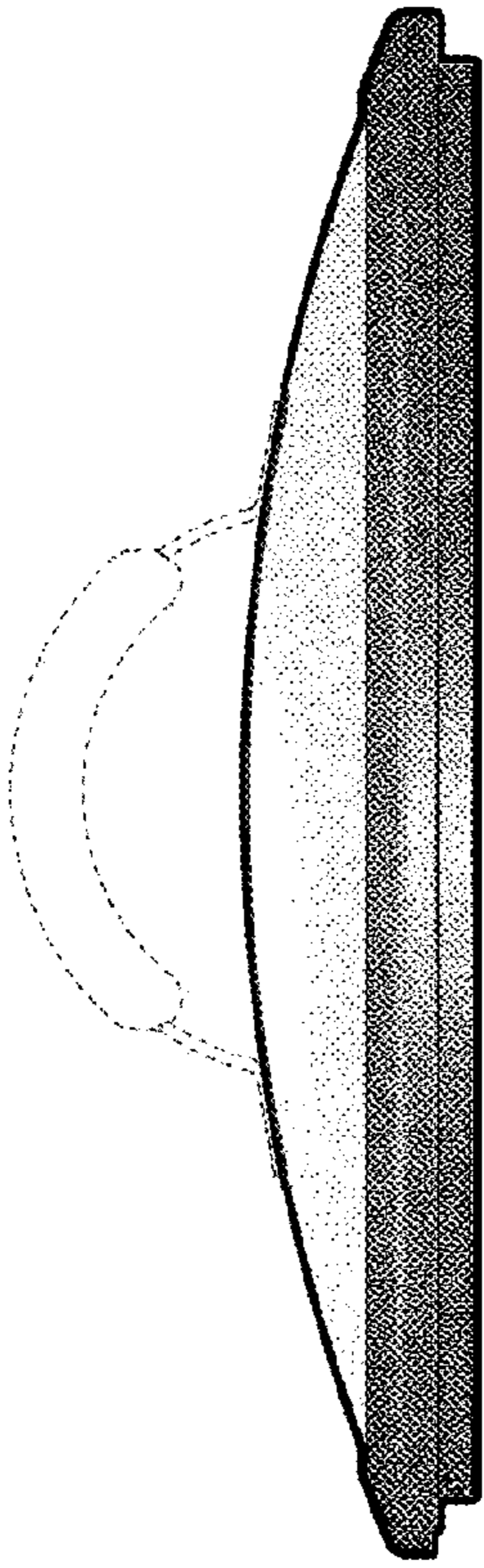


FIG.3

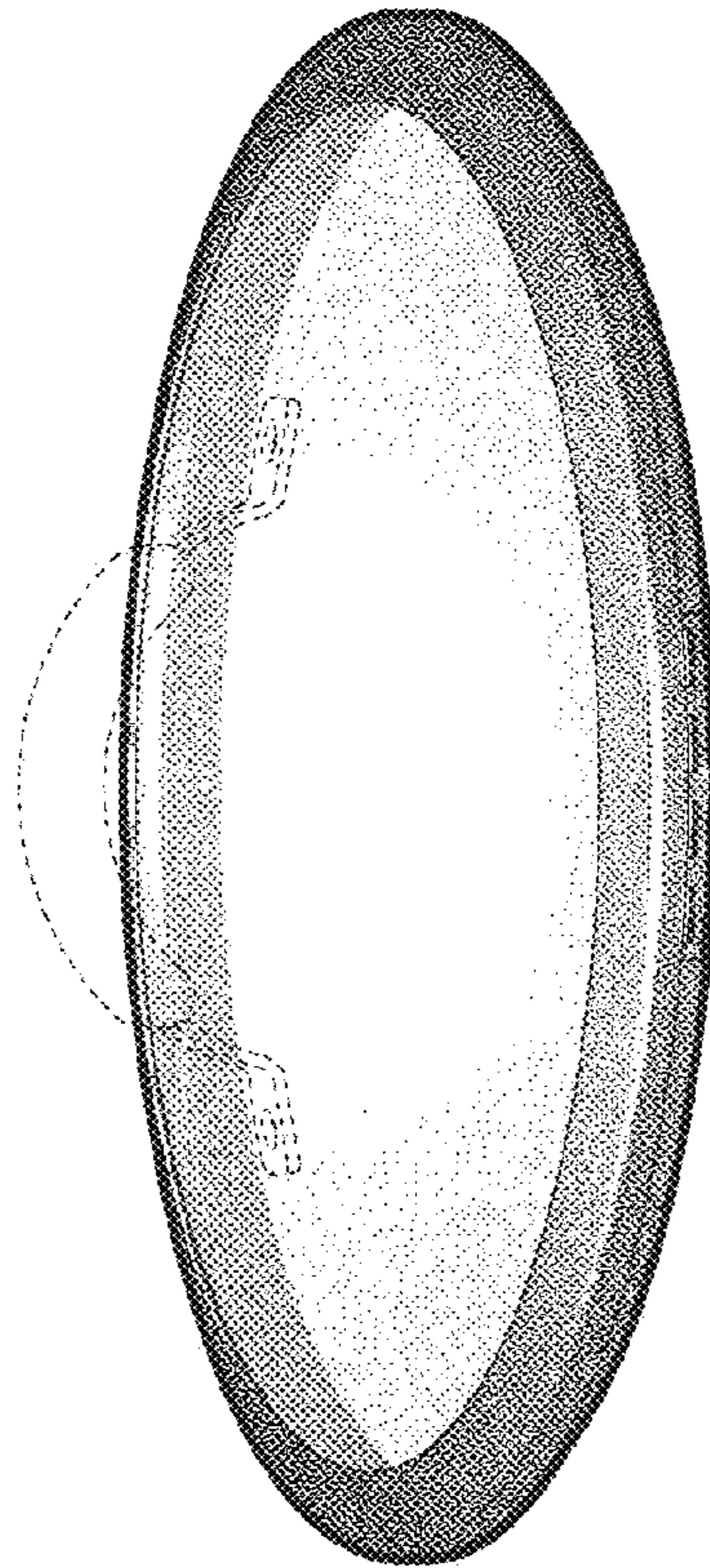


FIG.1

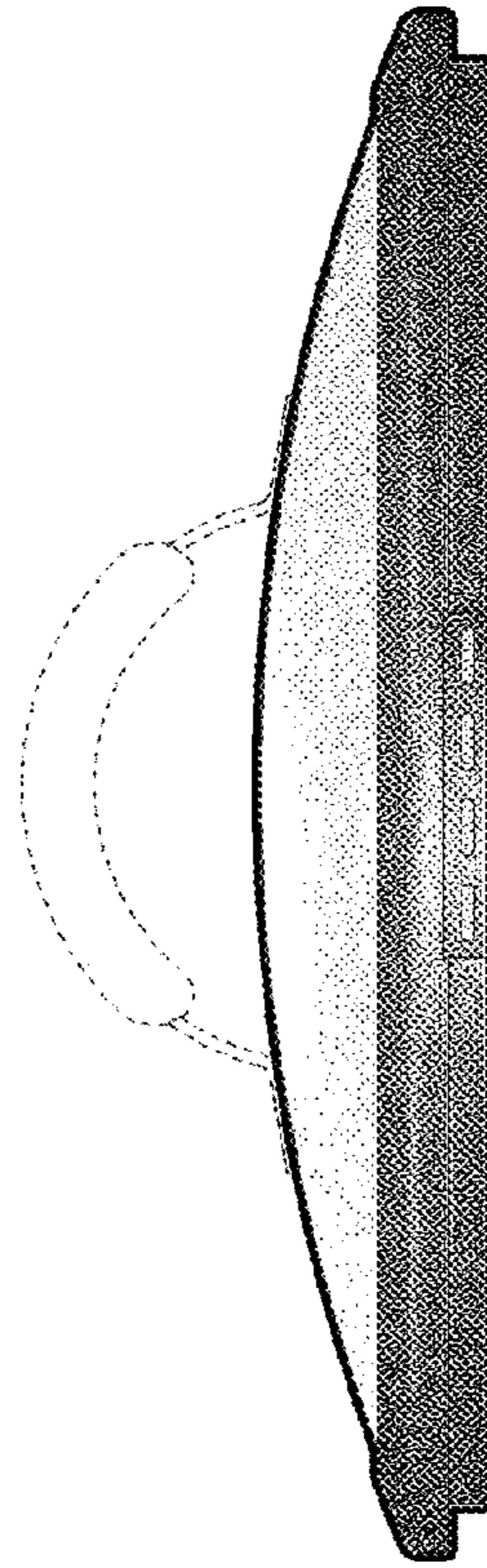


FIG.2

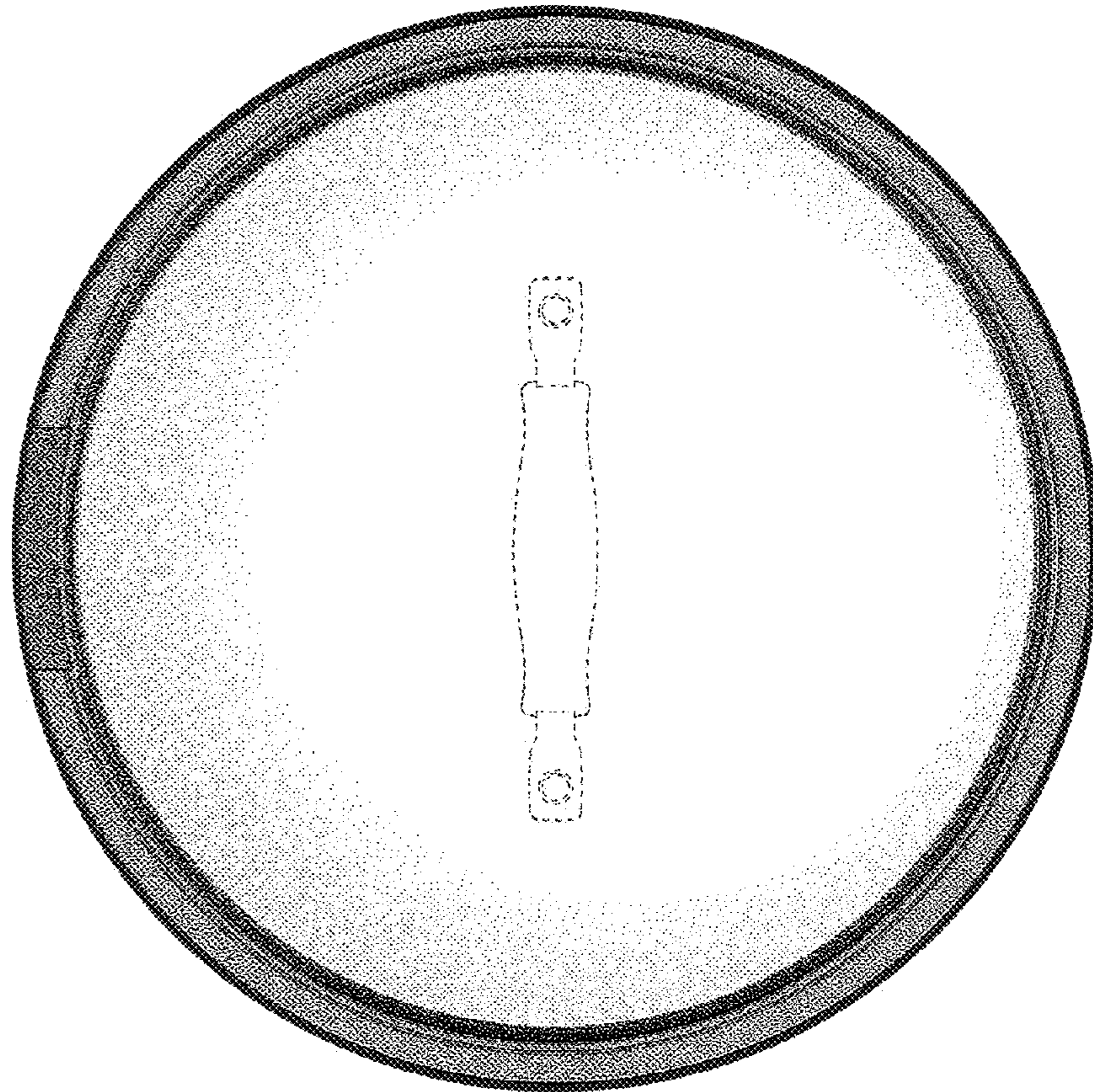


FIG. 5

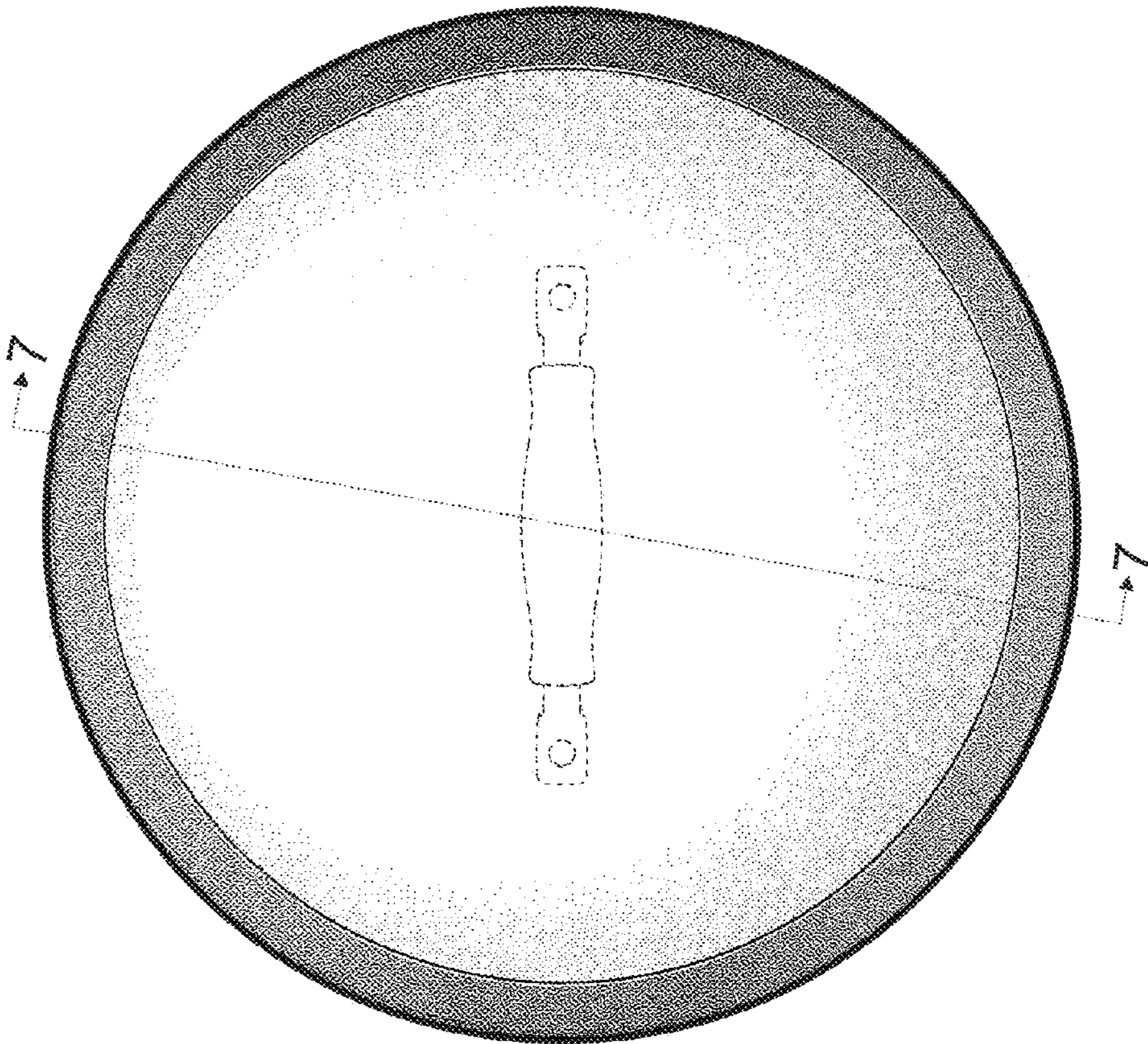


FIG. 4

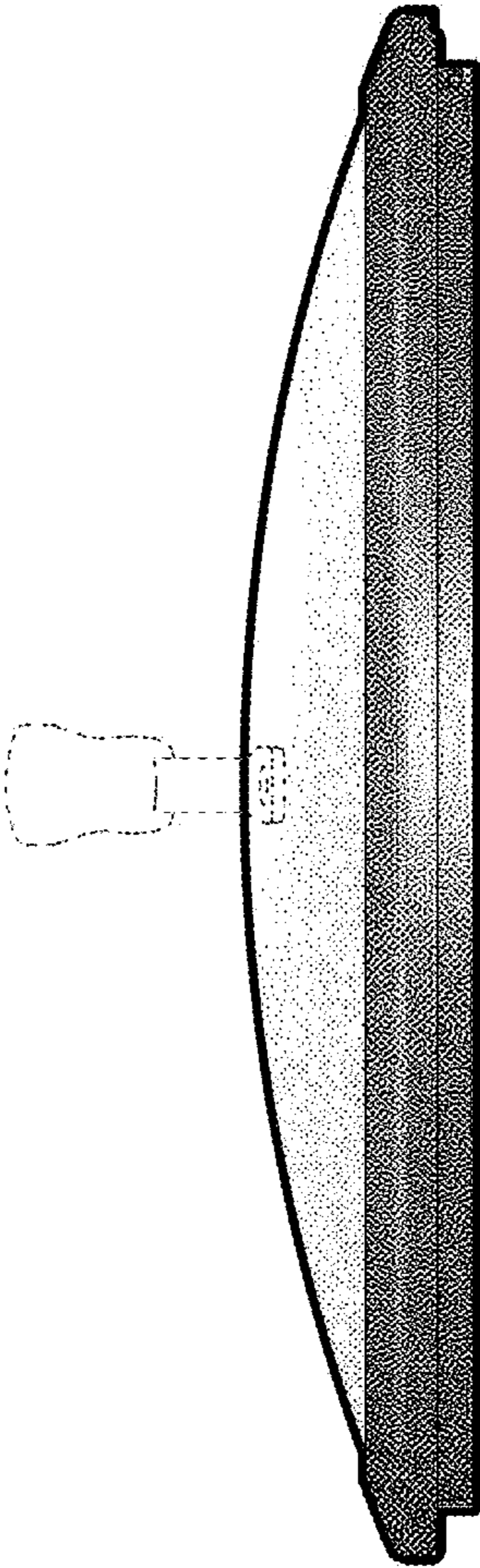
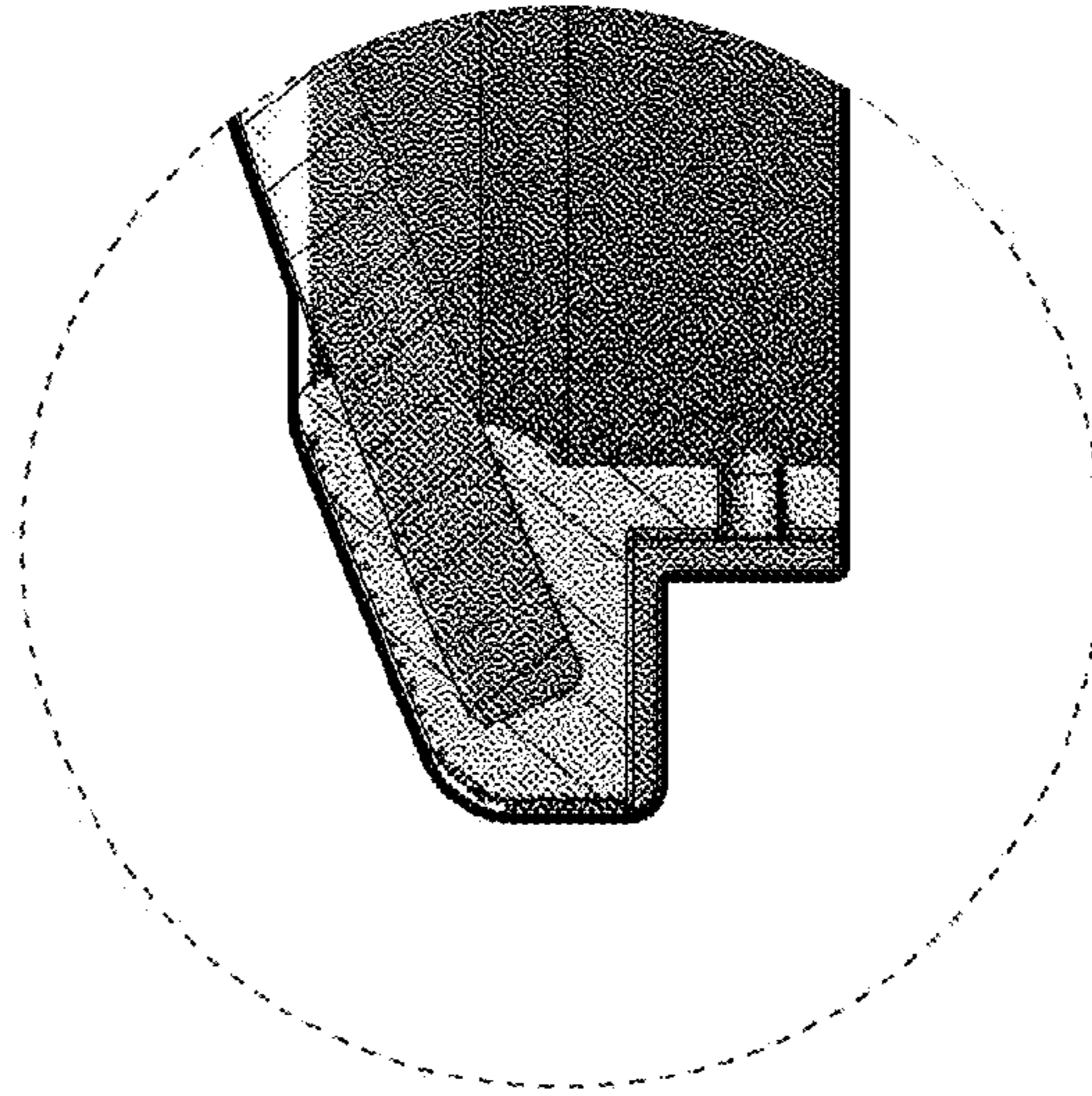
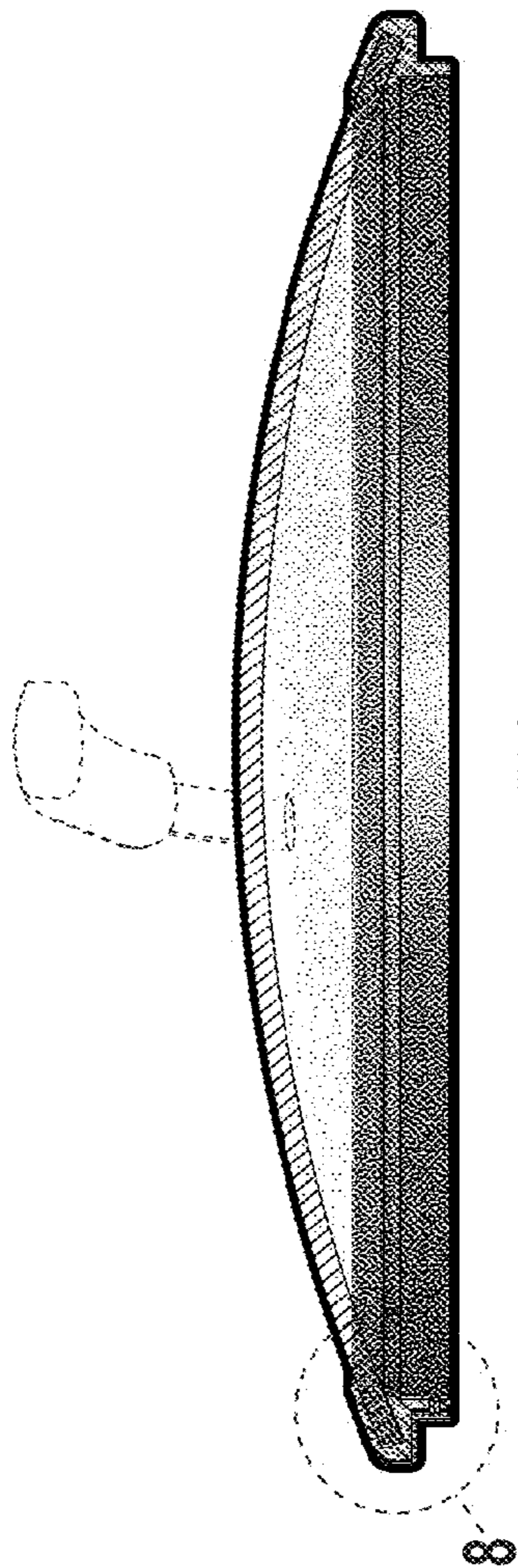


FIG. 6



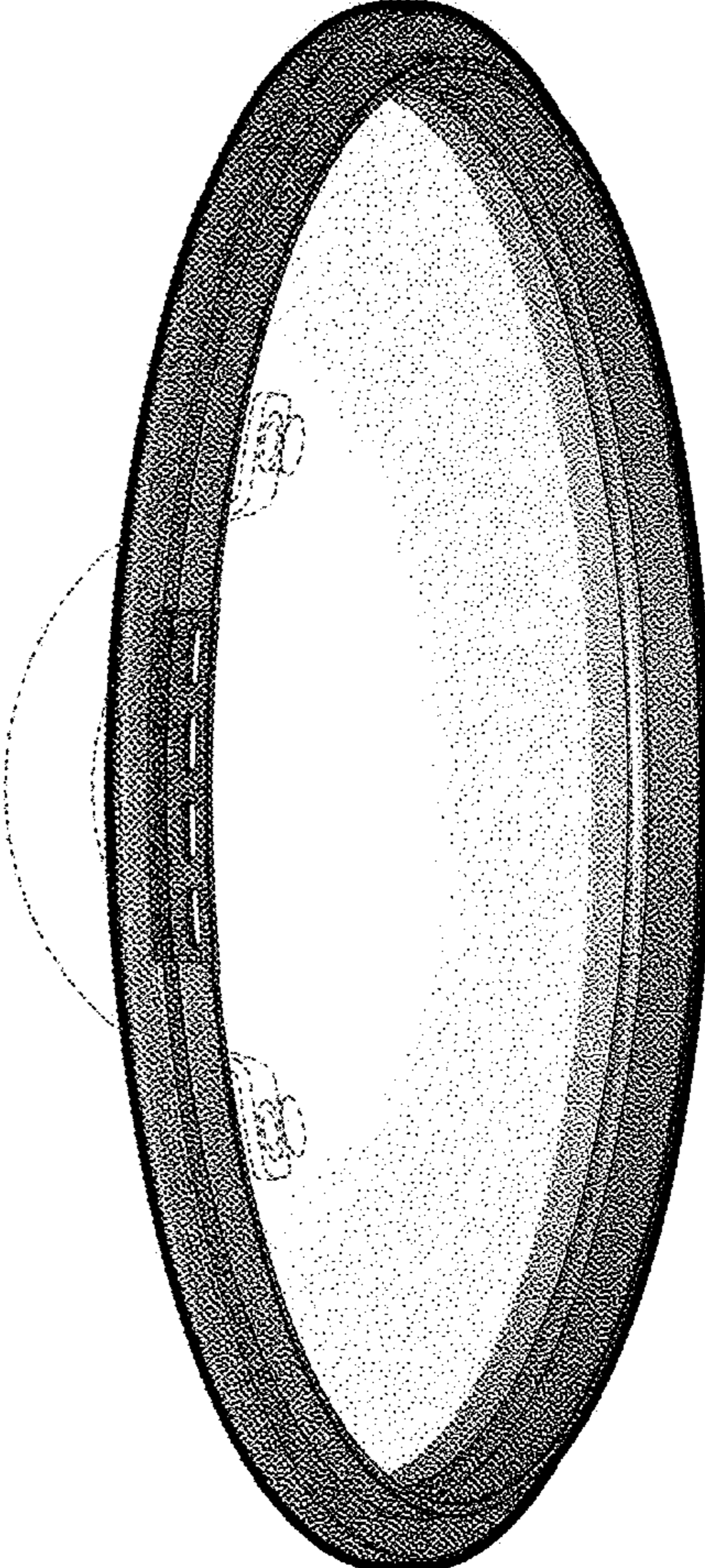


FIG. 9

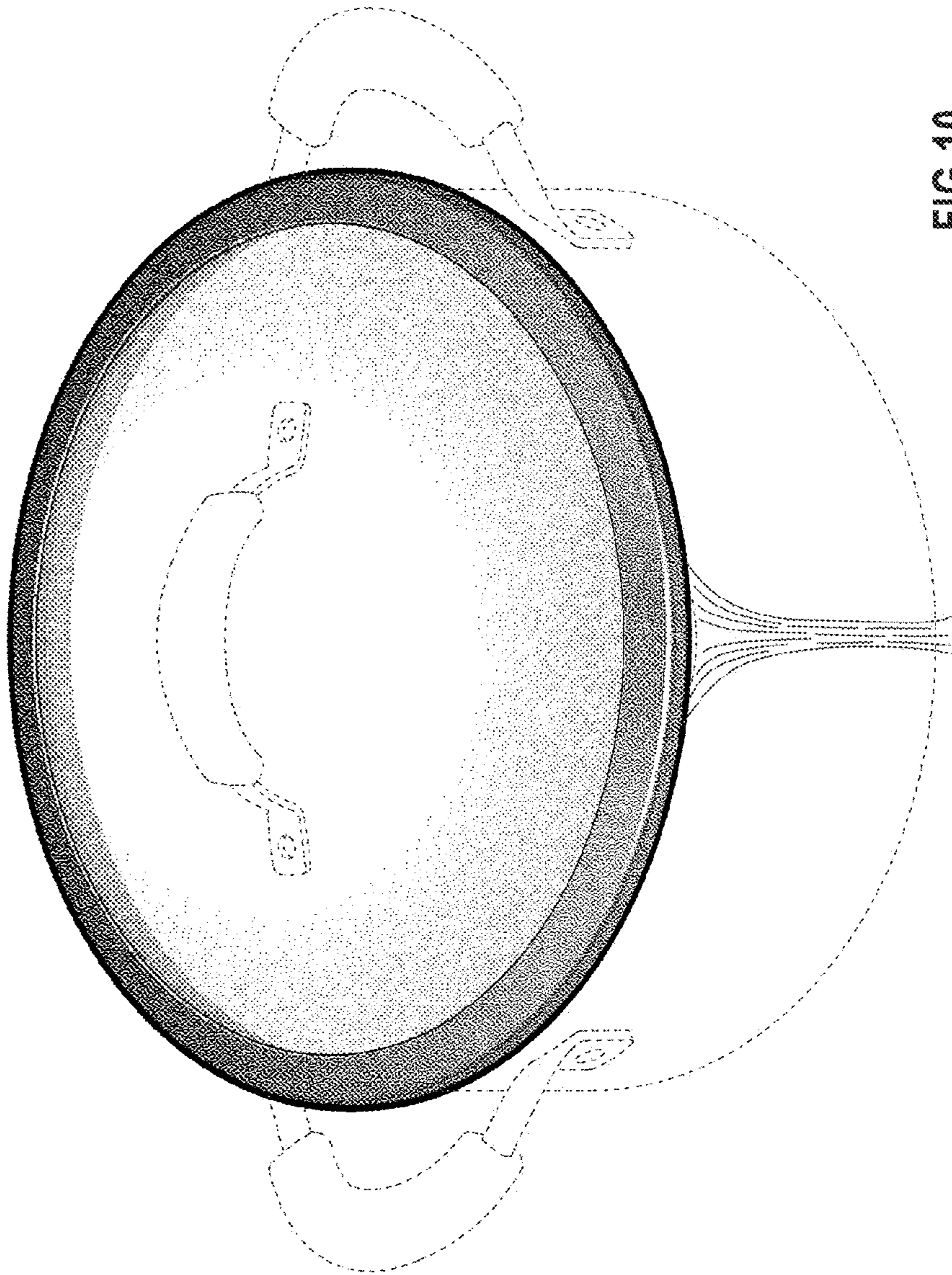


FIG. 10