



US00D696897S

(12) **United States Design Patent**  
**Kunz**

(10) **Patent No.:** **US D696,897 S**  
(45) **Date of Patent:** **\*\* Jan. 7, 2014**

- (54) **ELECTRIC GRILL**
- (71) Applicant: **Tefal**, Rumilly (FR)
- (72) Inventor: **Anders Kunz**, Savigny le Sec (FR)
- (73) Assignee: **Tefal**, Rumilly (FR)
- (\*\*) Term: **14 Years**
- (21) Appl. No.: **29/449,160**
- (22) Filed: **Mar. 14, 2013**
- (51) **LOC (10) Cl.** ..... **07-02**
- (52) **U.S. Cl.**  
USPC ..... **D7/363; D7/352; D7/362**
- (58) **Field of Classification Search**  
USPC ..... D7/323, 329–332, 337–339, 346–347,  
D7/350.1–350.4, 353–367, 391–395,  
D7/402–406, 538, 542–543, 665;  
99/324–327, 330–343, 369, 366, 372,  
99/400–418, 422, 425, 444–446, 483;  
126/37 R, 41 R, 261, 378.1;  
219/386–387, 400, 405, 429–442,  
219/452.11, 521–525, 620–624, 725,  
219/730–735; 220/23.88, 314–315, 485,  
220/573.1–573.5, 592.16, 912; 426/438,  
426/441, 523  
See application file for complete search history.

|                |         |                |       |        |
|----------------|---------|----------------|-------|--------|
| 6,389,959 B1 * | 5/2002  | Robertson      | ..... | 99/331 |
| D469,298 S *   | 1/2003  | Hinton et al.  | ..... | D7/332 |
| D500,629 S *   | 1/2005  | Huggler et al. | ..... | D7/352 |
| D514,871 S *   | 2/2006  | May et al.     | ..... | D7/337 |
| D564,826 S *   | 3/2008  | Chin           | ..... | D7/352 |
| RE40,285 E *   | 5/2008  | Wu             | ..... | 99/331 |
| D582,716 S *   | 12/2008 | Averty         | ..... | D7/337 |
| D614,436 S *   | 4/2010  | Chung          | ..... | D7/337 |
| D627,189 S *   | 11/2010 | Deman          | ..... |        |
| D669,303 S *   | 10/2012 | Garman         | ..... | D7/363 |
| D685,605 S *   | 7/2013  | Xin            | ..... | D7/362 |

\* cited by examiner

*Primary Examiner* — Ricky Pham

(74) *Attorney, Agent, or Firm* — Loeb & Loeb, LLP

(57) **CLAIM**

The ornamental design for an electric grill, as shown and described.

**DESCRIPTION**

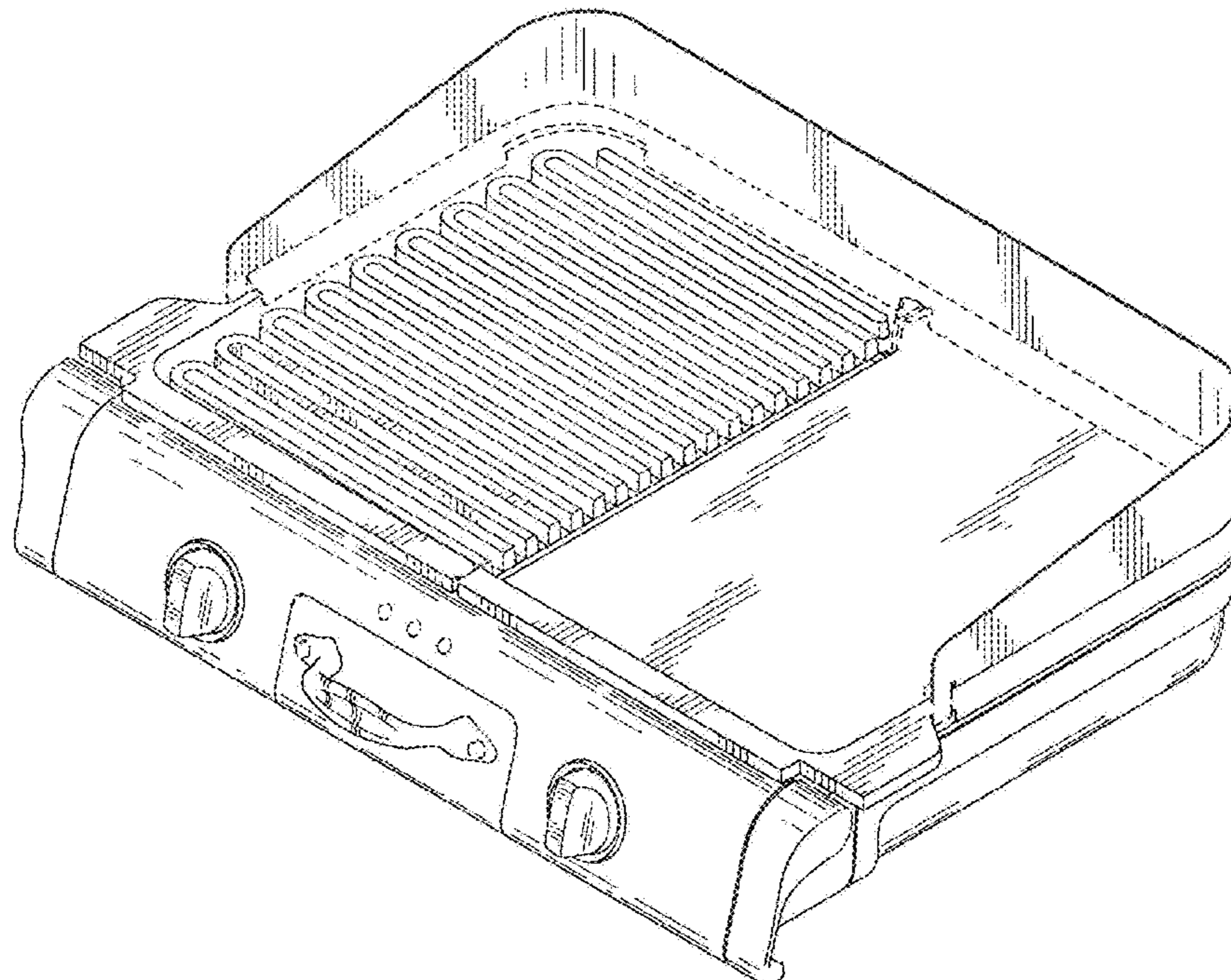
FIG. 1 is a front elevational view of an electric grill showing my new design.  
 FIG. 2 is a back elevational view of the electric grill of FIG. 1.  
 FIG. 3 is a left side elevational view of the electric grill of FIG. 1.  
 FIG. 4 is a right side elevational view of the electric grill of FIG. 1.  
 FIG. 5 is a top plan elevational view of the electric grill of FIG. 1.  
 FIG. 6 is a bottom plan view of the electric grill of FIG. 1; and,  
 FIG. 7 is a perspective view of the electric grill of FIG. 1.  
 The broken lines appearing in the figures are for the purpose of illustrating the environmental structure of the article of the claimed design and form no part of the claimed design.

**1 Claim, 7 Drawing Sheets**

(56) **References Cited**

**U.S. PATENT DOCUMENTS**

|               |         |        |       |        |
|---------------|---------|--------|-------|--------|
| 5,524,528 A * | 6/1996  | Yeh    | ..... | 99/446 |
| D441,250 S *  | 5/2001  | Choi   | ..... | D7/362 |
| D450,976 S *  | 11/2001 | Mosher | ..... | D7/337 |



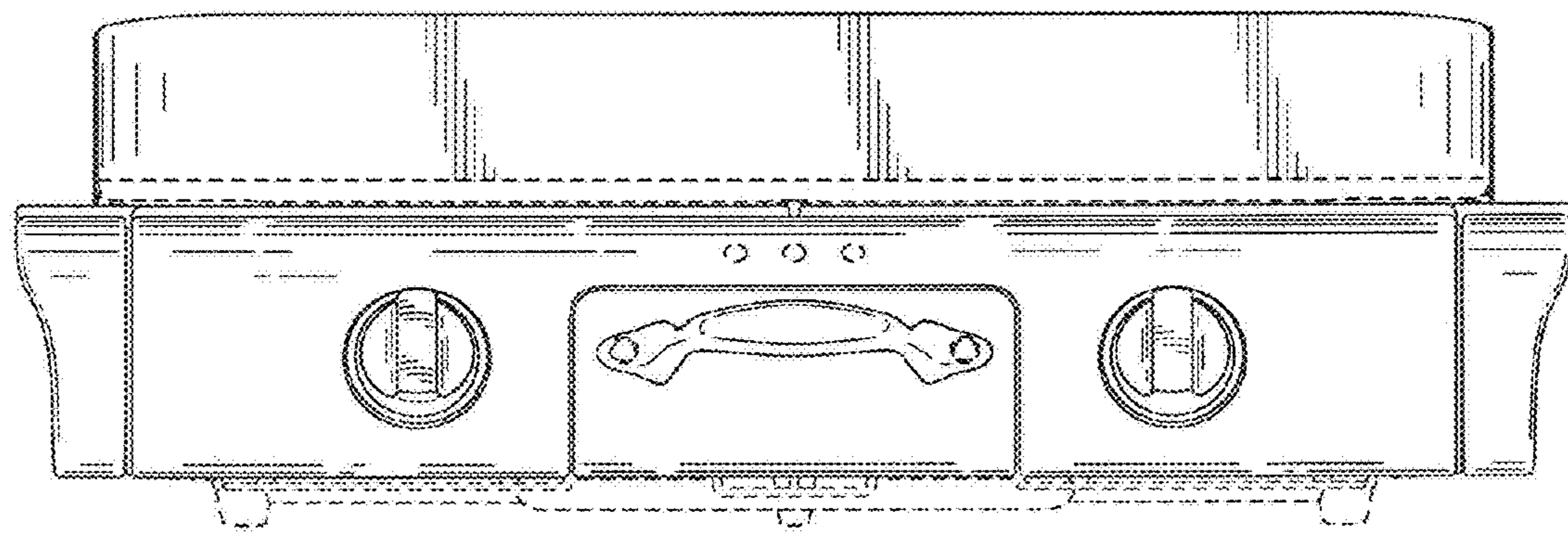
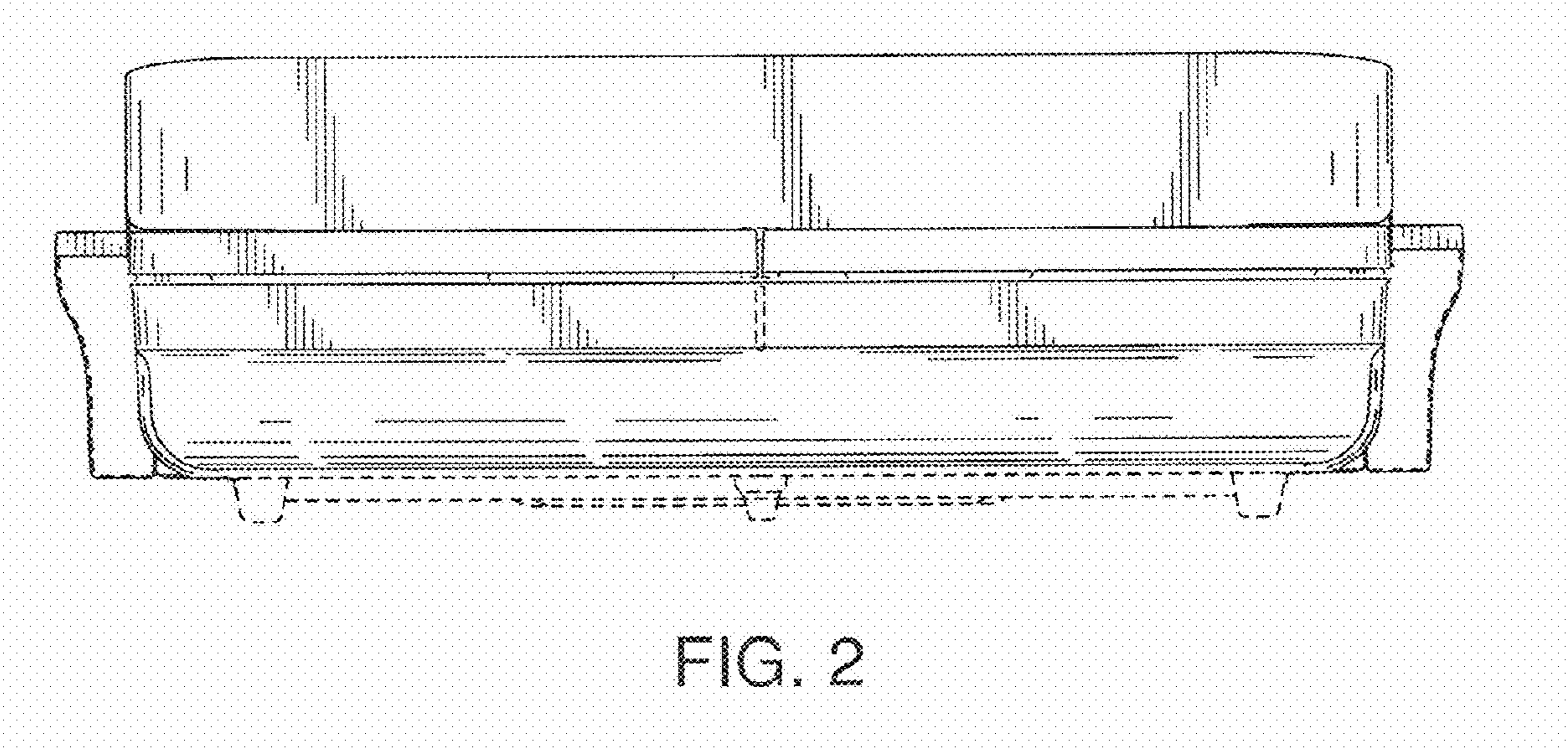


FIG. 1



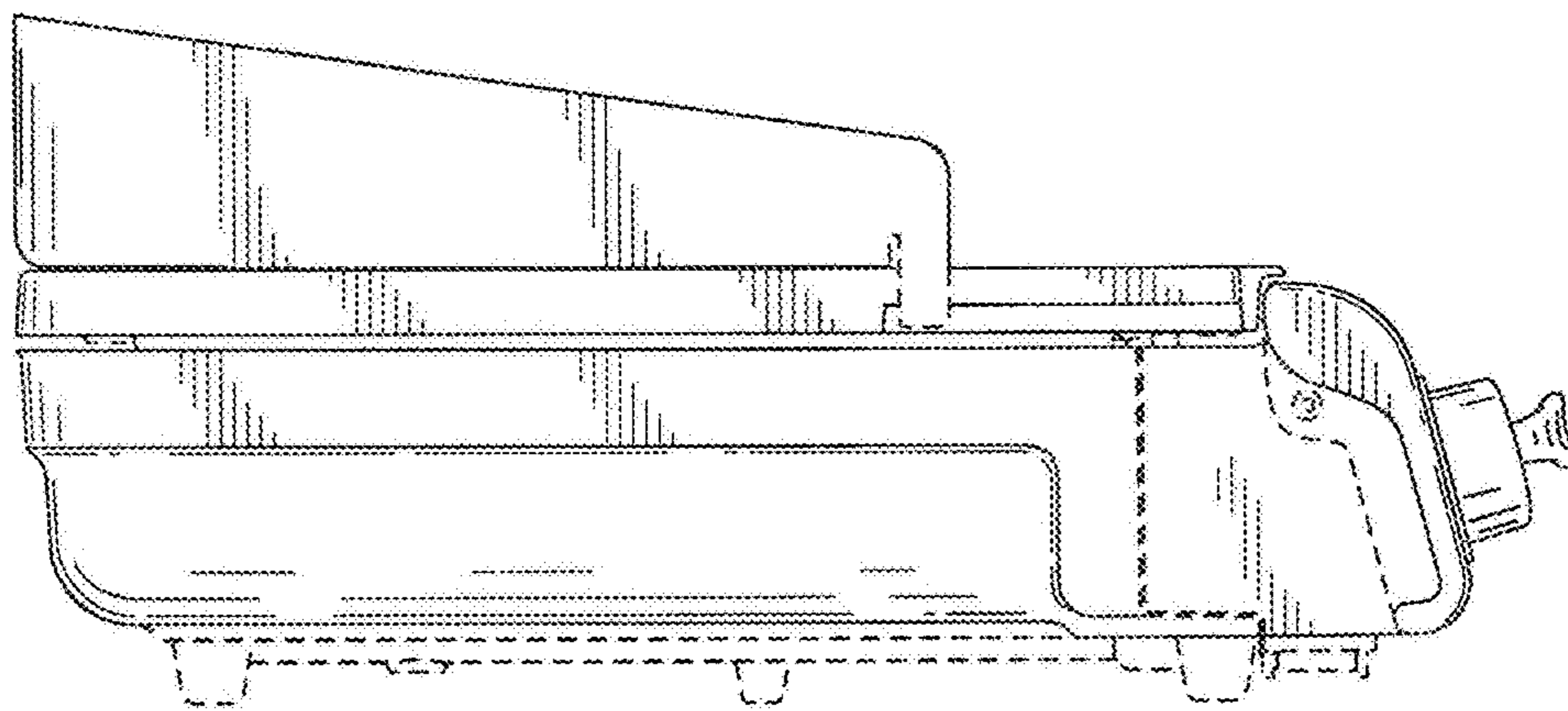


FIG. 3

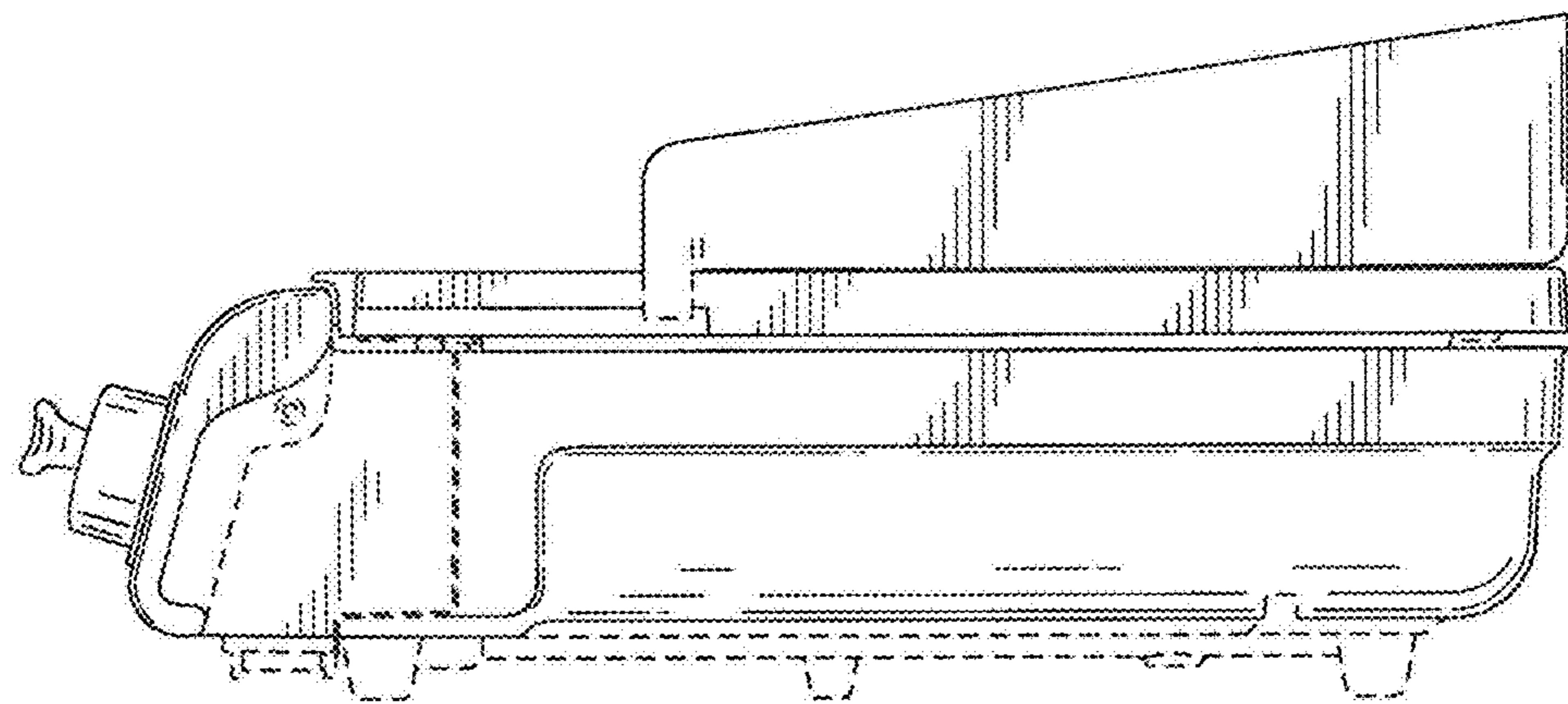


FIG. 4

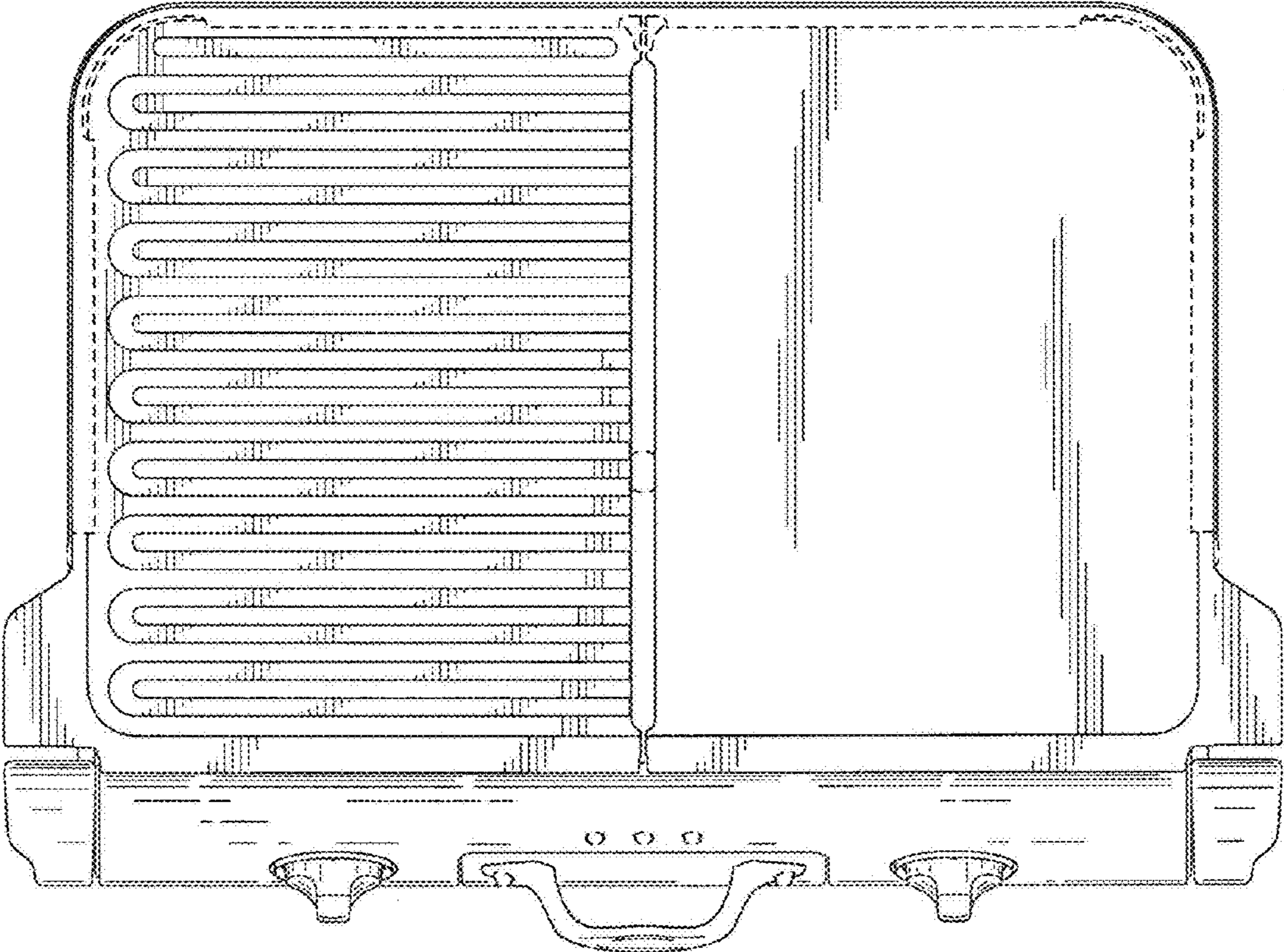


FIG. 5

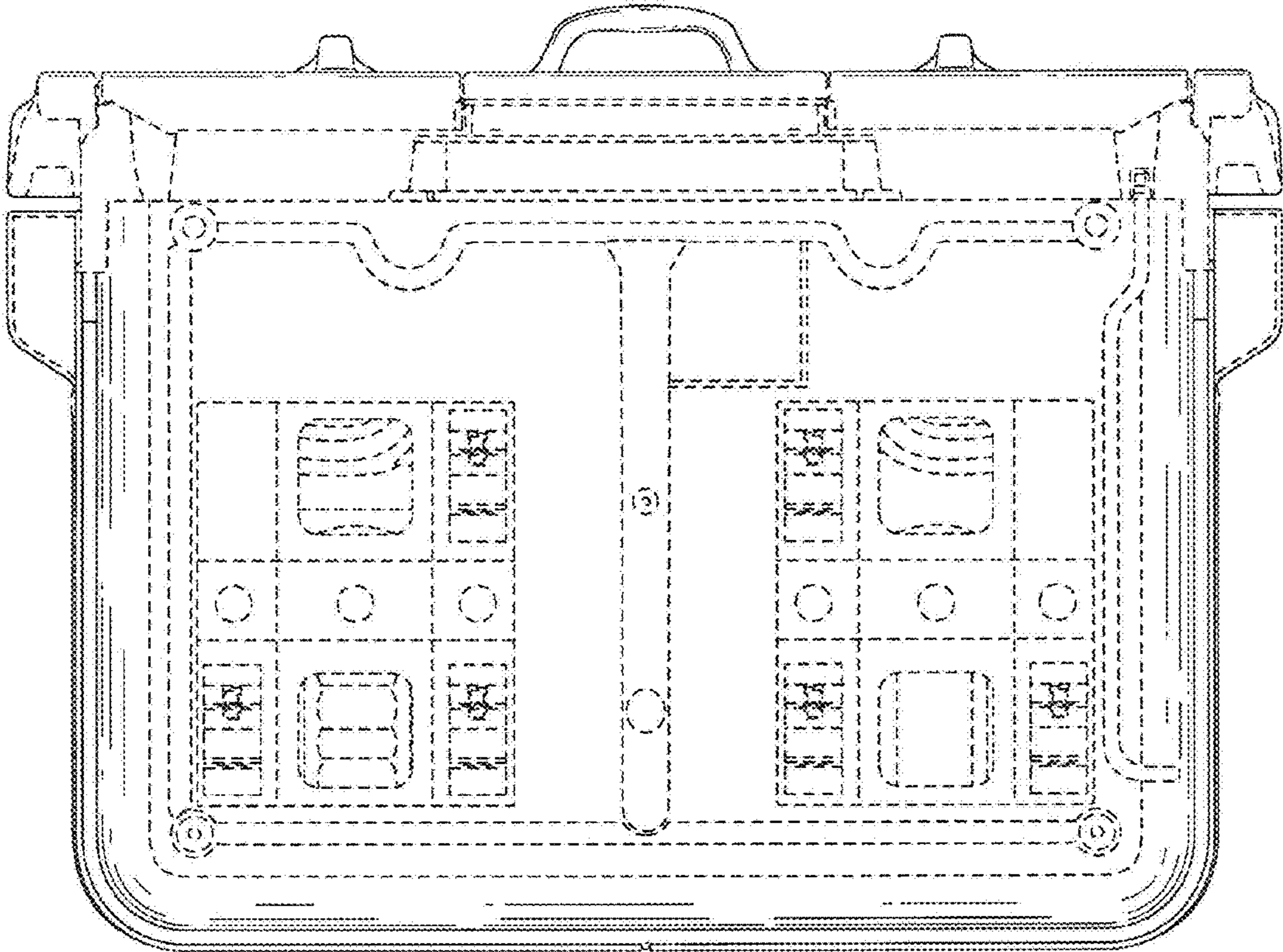


FIG. 6

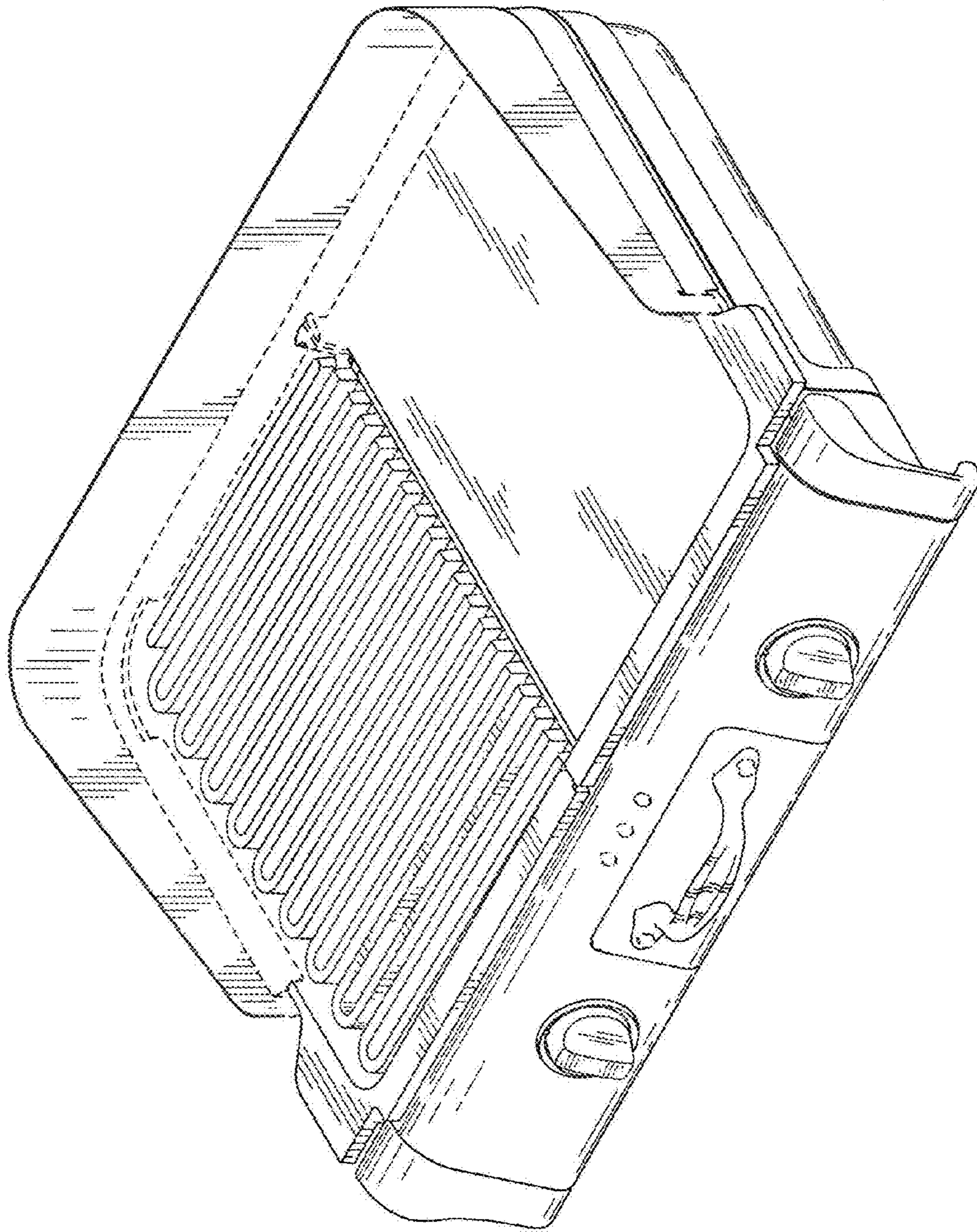


FIG. 7