



US00D696896S

(12) **United States Design Patent**
Weskamp et al.

(10) **Patent No.:** **US D696,896 S**
(45) **Date of Patent:** **** Jan. 7, 2014**

- (54) **EBELSKIVER**
- (71) Applicants: **Tracy A. Weskamp**, Kildeer, IL (US);
Mario M. Gonzalez, Kenosha, WI (US);
Gregory J. Foster, Chicago, IL (US)
- (72) Inventors: **Tracy A. Weskamp**, Kildeer, IL (US);
Mario M. Gonzalez, Kenosha, WI (US);
Gregory J. Foster, Chicago, IL (US)
- (73) Assignee: **Weber-Stephen Products, LLC**,
Palatine, IL (US)
- (**) Term: **14 Years**
- (21) Appl. No.: **29/454,248**
- (22) Filed: **May 8, 2013**
- (51) **LOC (10) Cl.** **07-02**
- (52) **U.S. Cl.**
USPC **D7/357; D7/354**
- (58) **Field of Classification Search**
USPC D3/313; D7/323, 329–332, 337–339,
D7/346–347, 350.1–350.4, 352–367,
D7/391–395, 402–409, 501, 538, 542–543,
D7/552.2, 553.6, 554.1–554.2, 557, 665,
D7/672; D9/731, 755; D99/34; 30/301;
99/324–327, 330–347, 369, 366, 372,
99/377, 400–419, 422–426, 444–446,
99/483; 108/94; 126/37 R, 41 R, 261, 332,
126/378.1, 390.1; 206/1.7, 562; 211/74;
219/386–387, 400, 405, 429–442,
219/452.11, 521–525, 620–624, 725,
219/730–735; 220/23.88, 314–315, 485,
220/507, 573.1–573.5, 592.16, 912;
249/119; 426/438, 441, 523
See application file for complete search history.

855,565	A *	6/1907	Greenhouse	206/562
1,056,237	A *	3/1913	Waller	211/74
1,070,476	A *	8/1913	Hunholz	249/119
D51,881	S *	3/1918	Evans	D7/357
1,399,449	A *	12/1921	Trethewey	30/301
1,962,556	A *	6/1934	Eberhardt, Jr.	206/562
3,034,496	A *	5/1962	Greenwald	126/261
3,311,225	A *	3/1967	Kidd	220/507
D229,273	S *	11/1973	Siren et al.	D7/357
4,046,250	A *	9/1977	Amezcu	206/1.7
D251,536	S *	4/1979	Hansen	D7/357
D252,066	S *	6/1979	Jeambey	D7/357
D332,396	S *	1/1993	Bell	D9/731
5,277,328	A *	1/1994	Tocco	220/507
D358,737	S *	5/1995	Mendelson et al.	D7/362
D393,775	S *	4/1998	Otero	D7/553.6
D397,588	S *	9/1998	Mishan	D7/672
D408,655	S *	4/1999	Khalaj	D6/457
D529,764	S *	10/2006	Schalk et al.	D7/553.6
D546,127	S *	7/2007	Vovan	D7/552.2
D566,474	S *	4/2008	Ray	D7/554.1
D576,838	S *	9/2008	Wong	D7/501
D579,327	S *	10/2008	Swann	D9/755
8,402,901	B1 *	3/2013	Bahnsen	108/94

* cited by examiner

Primary Examiner — Ricky Pham
(74) *Attorney, Agent, or Firm* — Niro Haller & Niro

(57) **CLAIM**
The ornamental design for a ebelskiver, as shown and described.

DESCRIPTION

FIG. 1 is a top perspective view of the ebelskiver;
FIG. 2 is a bottom perspective view of the ebelskiver.
FIG. 3 is a front view of the ebelskiver, the rear view being a mirror image thereof;
FIG. 4 is a top view of the ebelskiver;
FIG. 5 is a left side view of the ebelskiver, the right side view being a mirror image thereof; and,
FIG. 6 is a bottom view of the ebelskiver.

1 Claim, 3 Drawing Sheets

- (56) **References Cited**
U.S. PATENT DOCUMENTS
D23,522 S * 7/1894 Low D99/34
D23,930 S * 1/1895 Kroeter D7/357

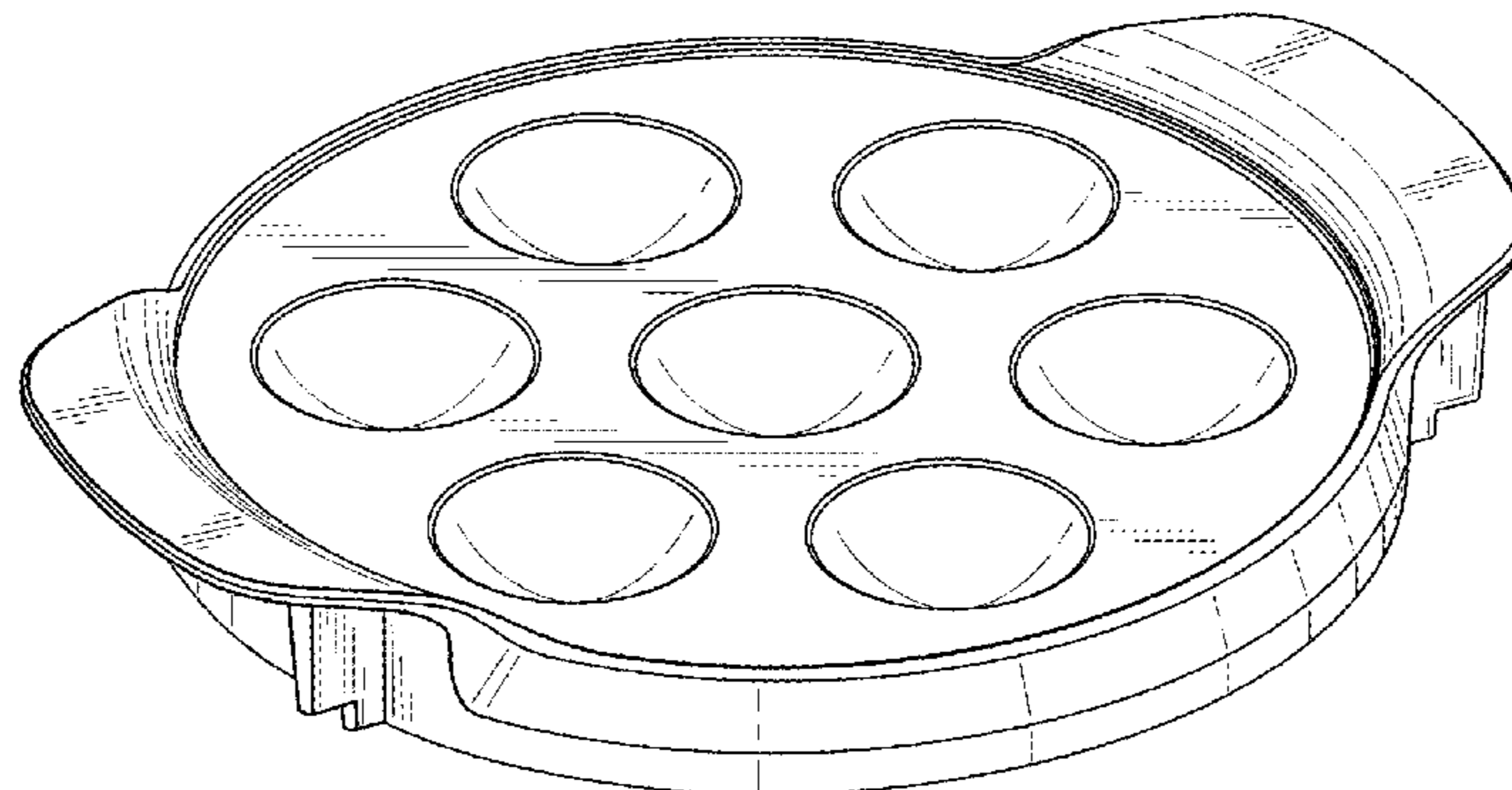


Fig. 1

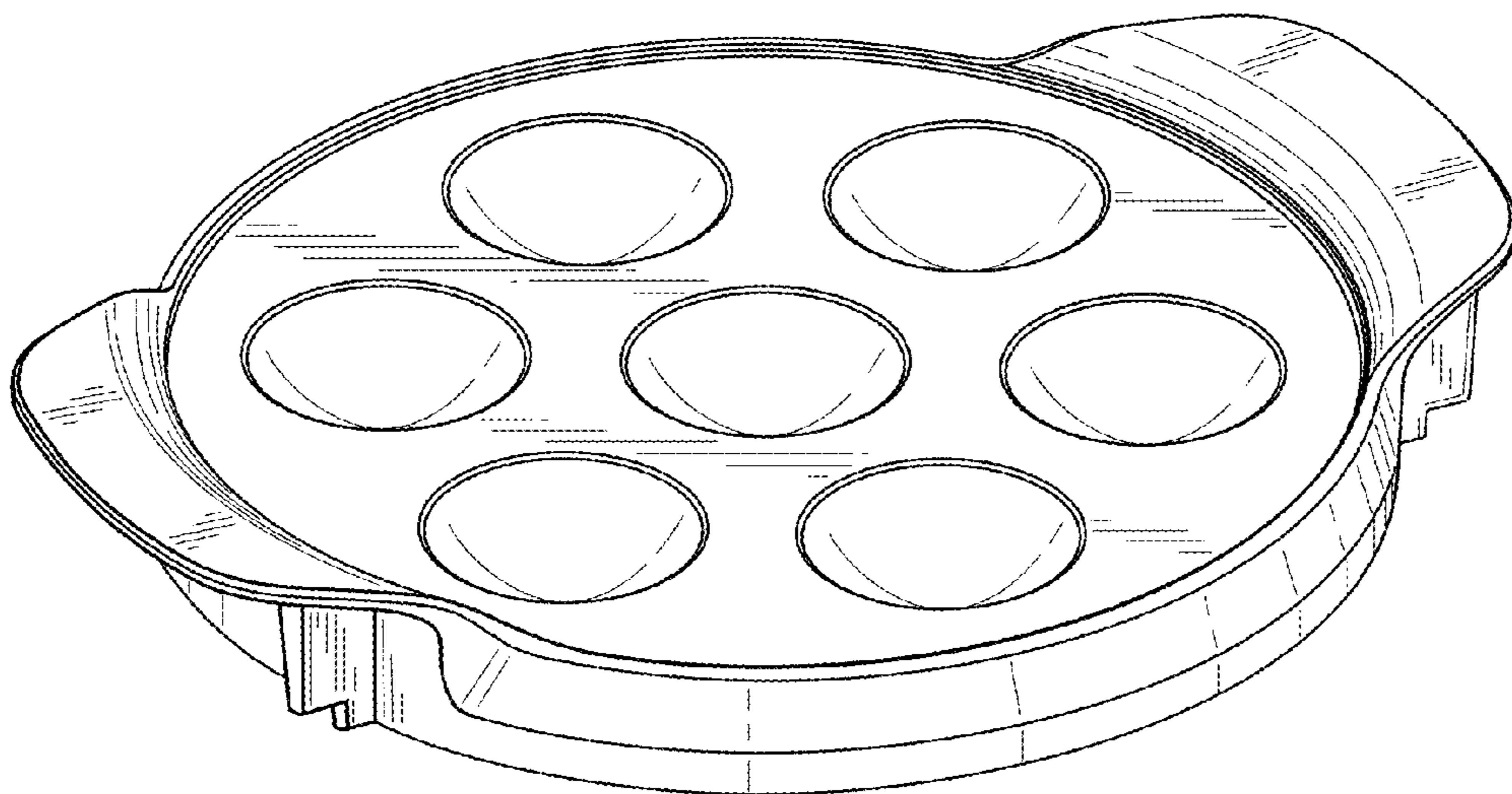


Fig. 2

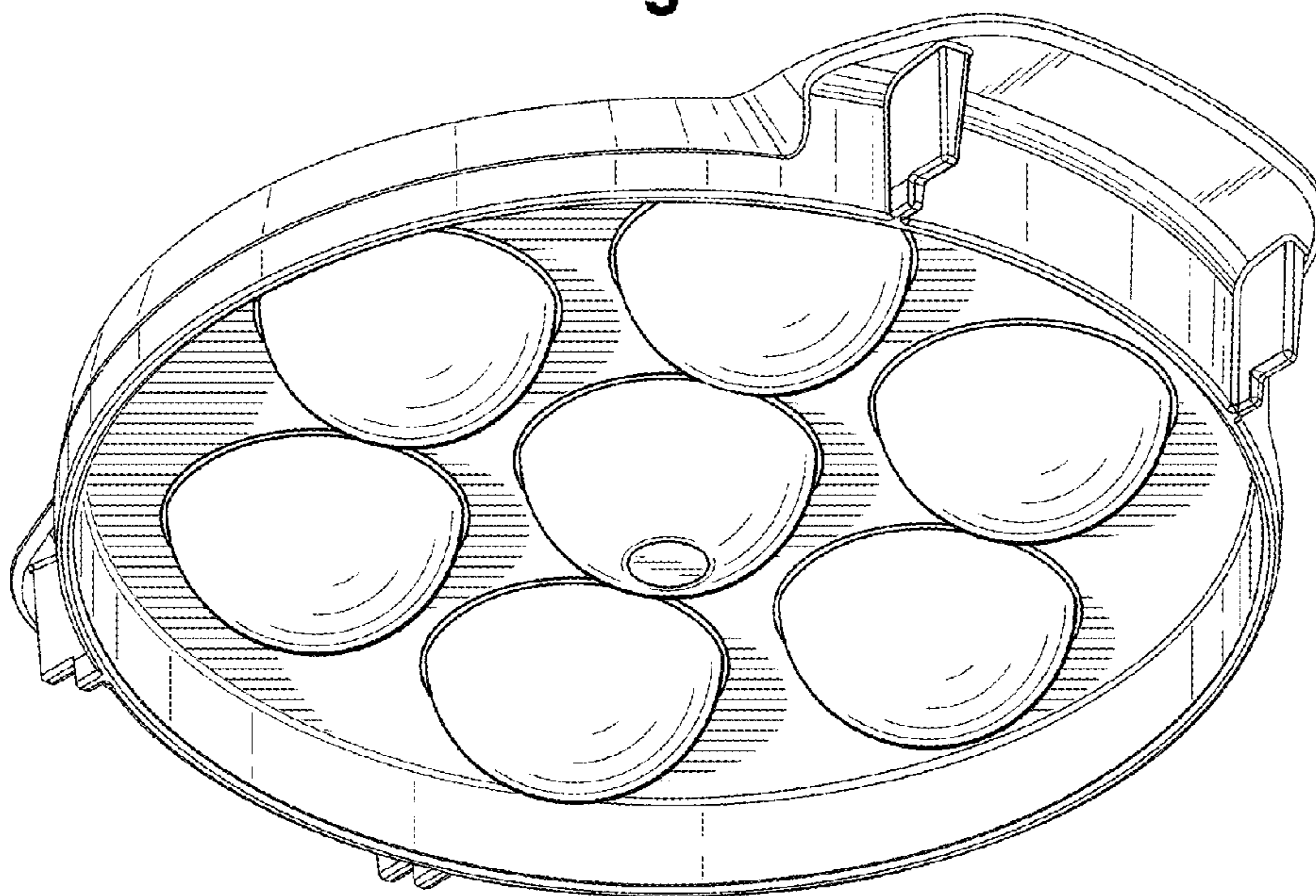


Fig. 3

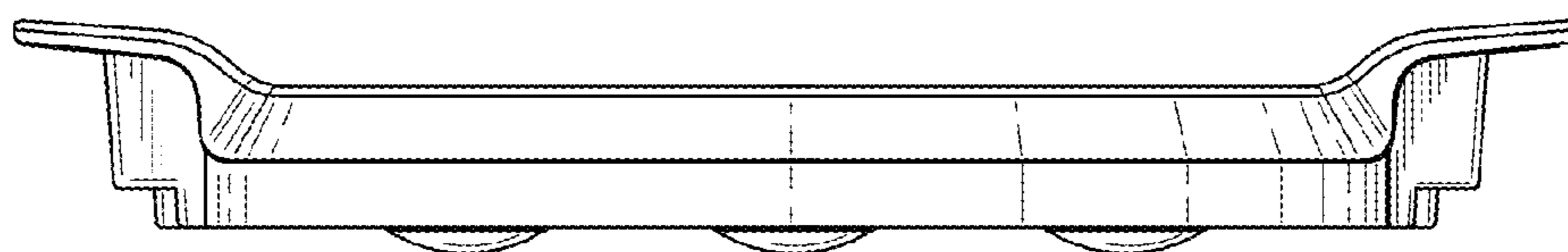


Fig. 4

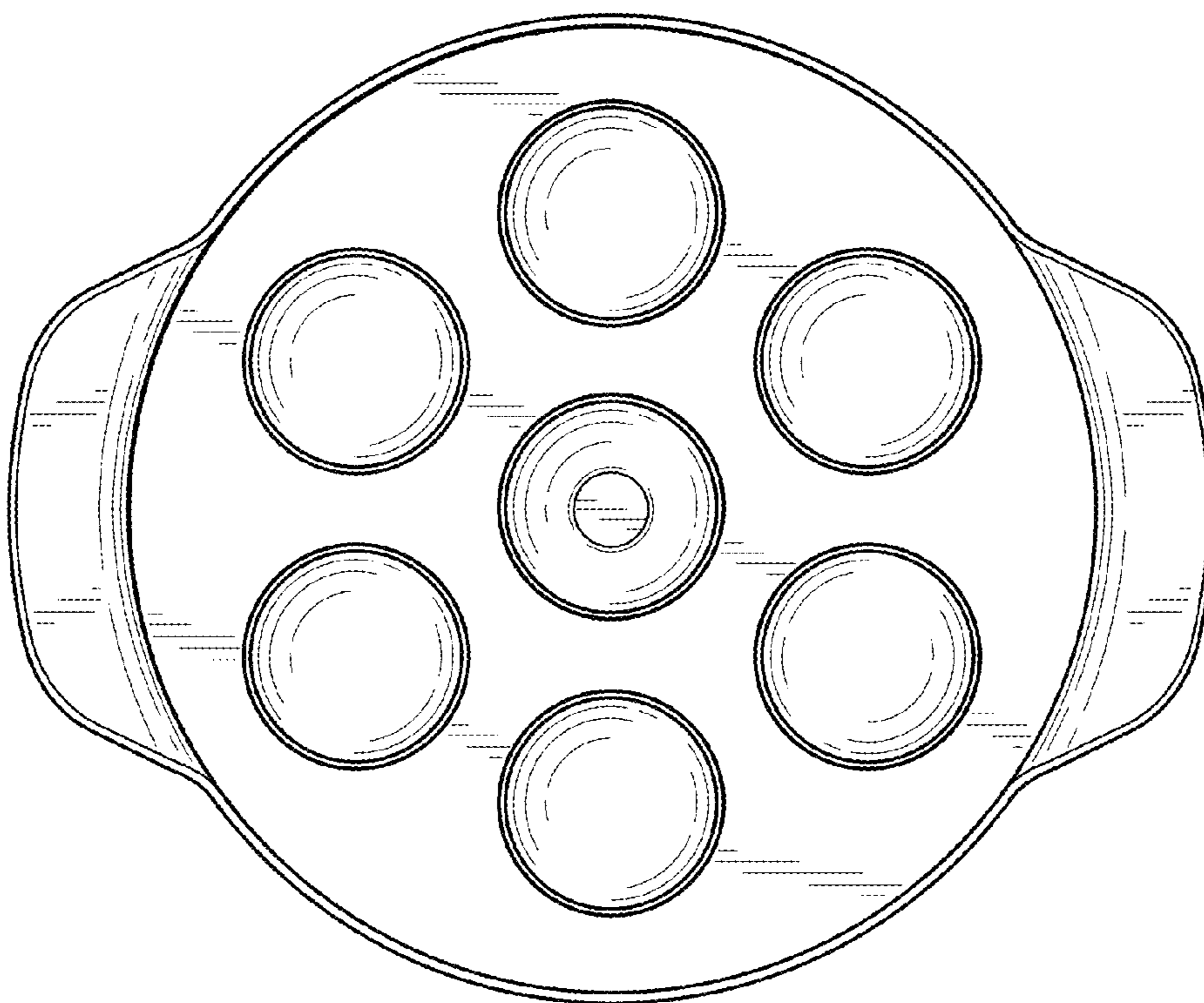


Fig. 5

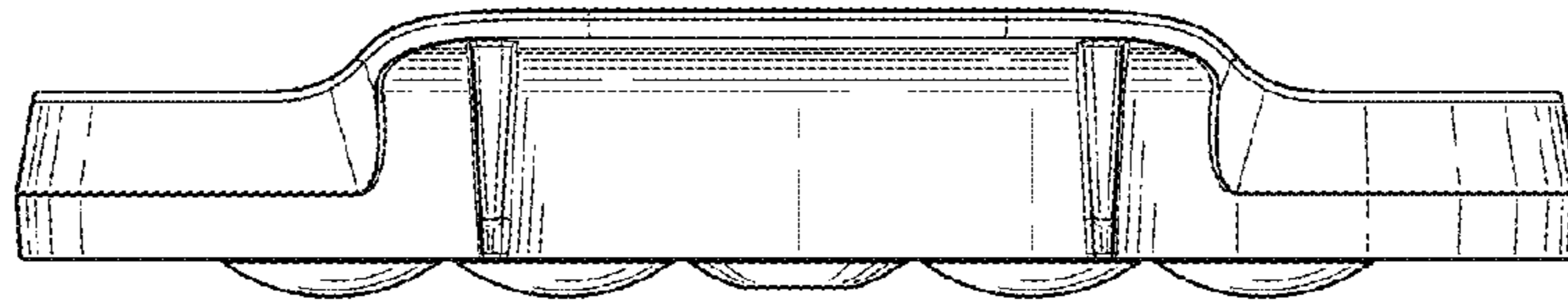


Fig. 6

