

US00D696891S

(12) **United States Design Patent**
Burrows

(10) **Patent No.:** **US D696,891 S**
(45) **Date of Patent:** **** Jan. 7, 2014**

(54) **COFFEE BREWER**

(76) Inventor: **Bruce D. Burrows**, Santa Clarita, CA
(US)

(**) Term: **14 Years**

(21) Appl. No.: **29/432,014**

(22) Filed: **Sep. 12, 2012**

(51) **LOC (10) Cl.** **07-01**

(52) **U.S. Cl.**
USPC **D7/309**; D7/311

(58) **Field of Classification Search**
USPC D7/306-311, 300, 305, 397, 398, 399,
D7/401; 99/282, 279, 280, 300, 305;
222/146.5, 129.1
See application file for complete search history.

(56) **References Cited**

U.S. PATENT DOCUMENTS

5,301,600	A	*	4/1994	Medema	99/305
D376,950	S	*	12/1996	Saltet	D7/309
D377,290	S	*	1/1997	Saltet	D7/309
D386,039	S	*	11/1997	Dingelstad	D7/309
D387,946	S	*	12/1997	Hippen	D7/309
D400,045	S	*	10/1998	Schade	D7/309
D447,904	S	*	9/2001	Kling	D7/309

D454,466	S	*	3/2002	Hong	D7/309
D484,733	S	*	1/2004	Kling	D7/309
D485,728	S	*	1/2004	Sham et al.	D7/309
D529,751	S	*	10/2006	Sumser et al.	D7/309
D529,752	S	*	10/2006	Sumser et al.	D7/309
D530,138	S	*	10/2006	Sumser et al.	D7/309
D530,139	S	*	10/2006	Lin	D7/309
D545,608	S	*	7/2007	Picozza et al.	D7/309
D558,506	S	*	1/2008	Garman	D7/309
D585,229	S	*	1/2009	de Visser	D7/309
D670,132	S	*	11/2012	De'Longhi	D7/310

* cited by examiner

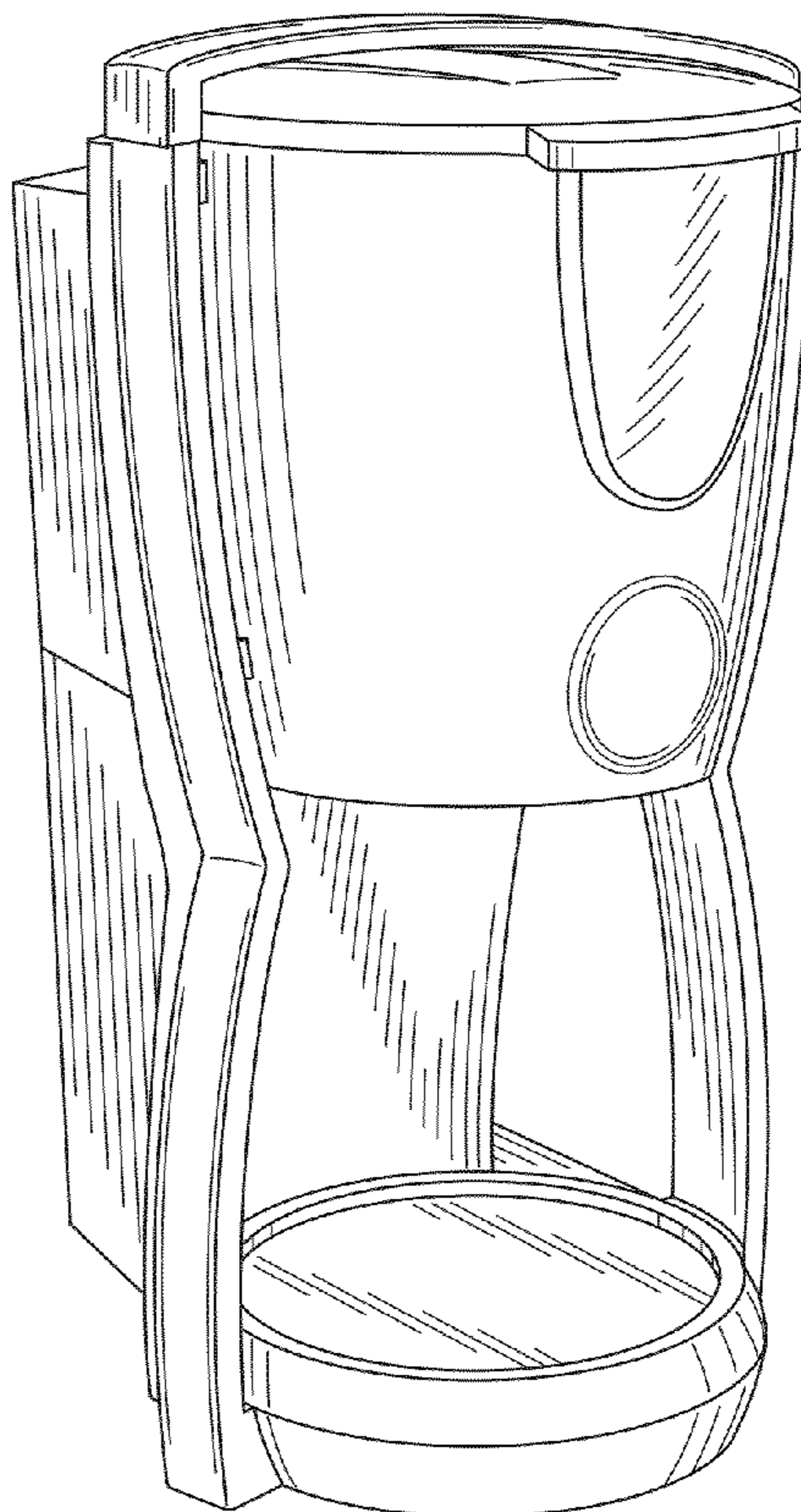
Primary Examiner — Marianne Pandozzi
(74) *Attorney, Agent, or Firm* — Lowry Blixseth LLP; Scott M. Lowry

(57) **CLAIM**
The ornamental design for a coffee brewer, as shown.

DESCRIPTION

FIG. 1 is a perspective view showing the front, top and left sides of the coffee brewer;
FIG. 2 is a front elevation view of the coffee brewer;
FIG. 3 is a rear elevation view of the coffee brewer;
FIG. 4 is a left side elevation view of the coffee brewer;
FIG. 5 is a right side elevation view of the coffee brewer;
FIG. 6 is a top plan view of the coffee brewer; and,
FIG. 7 is a bottom plan view of the coffee brewer.

1 Claim, 3 Drawing Sheets



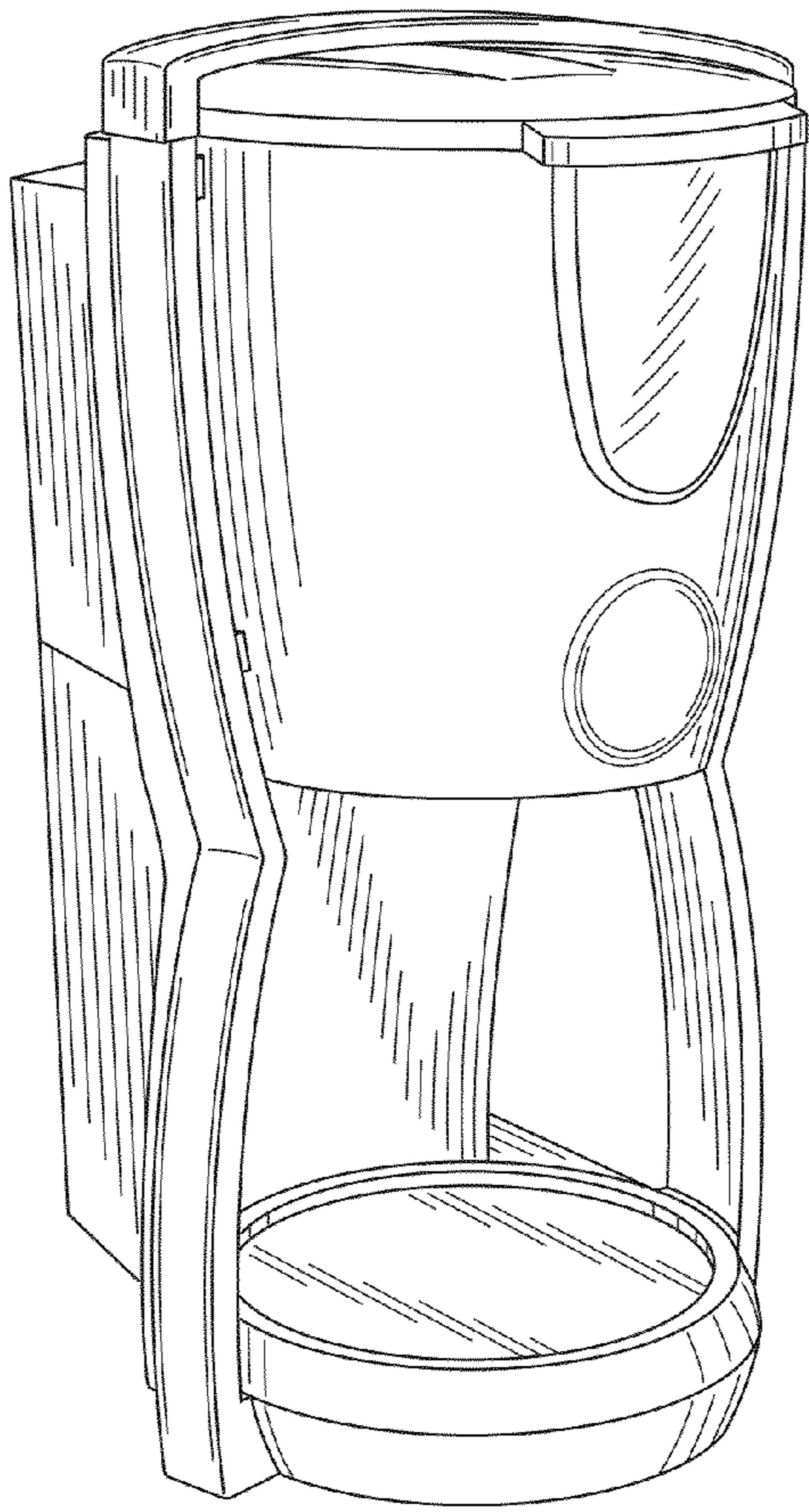


FIG. 1

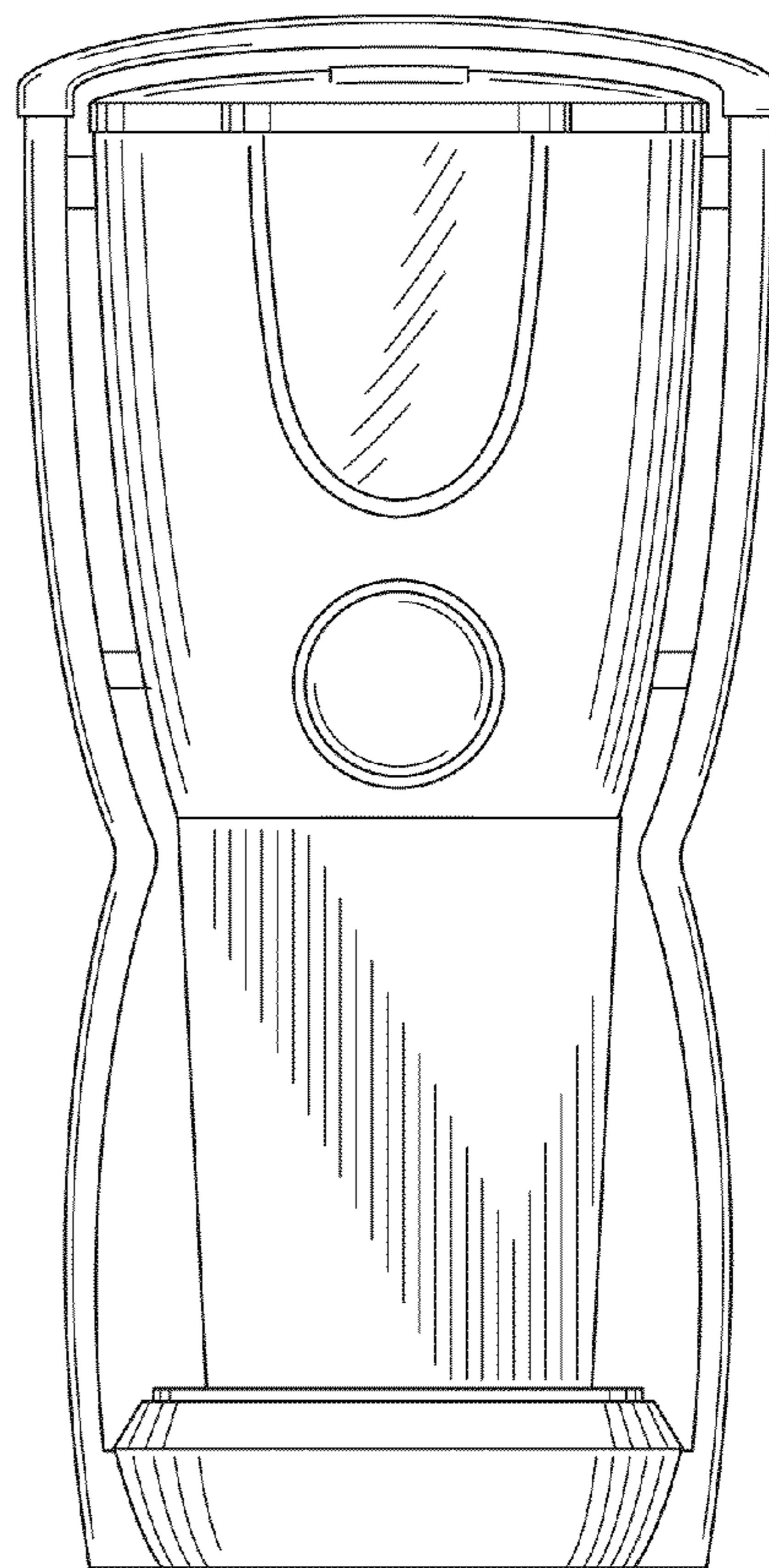


FIG. 2

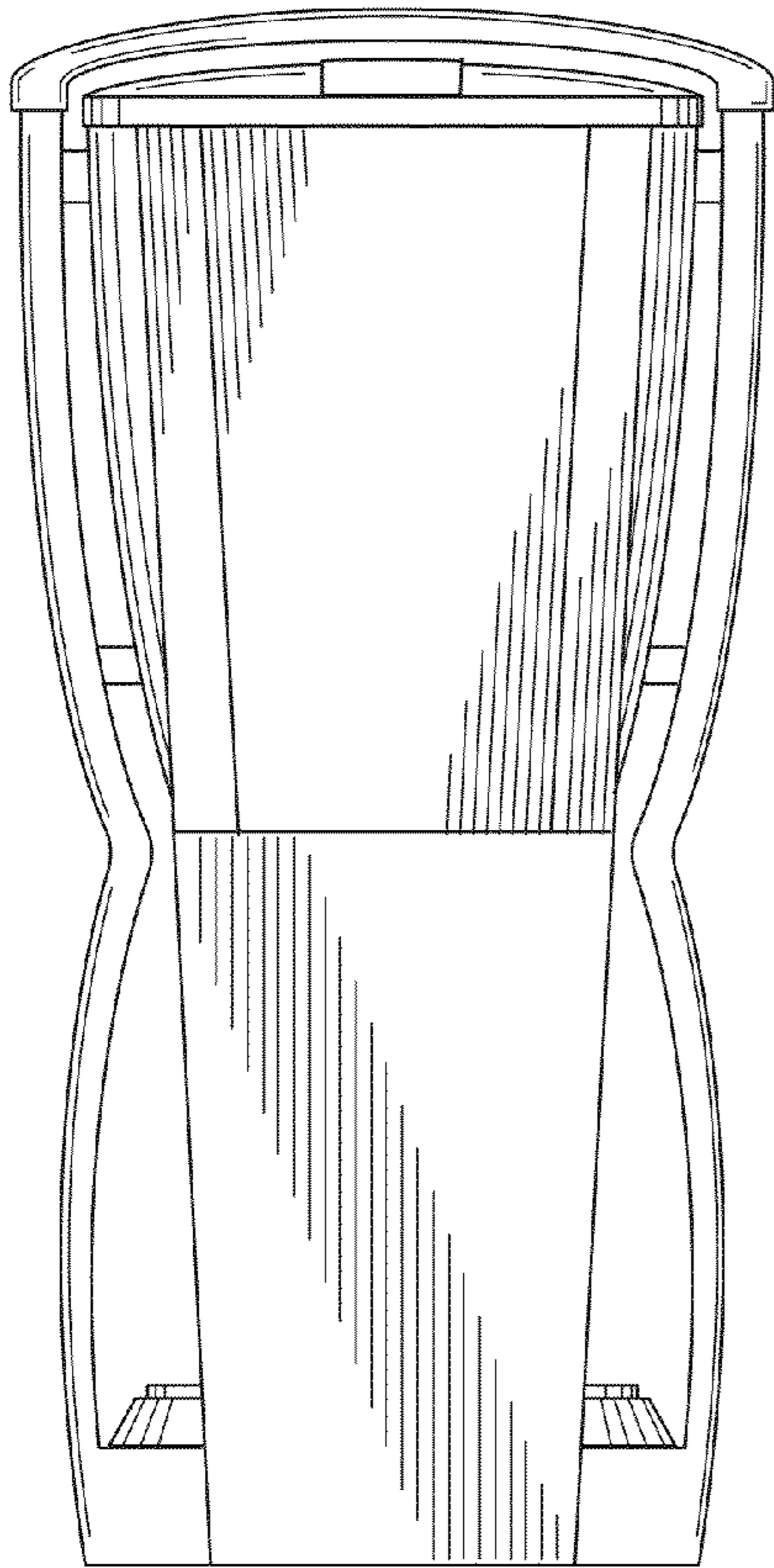


FIG. 3

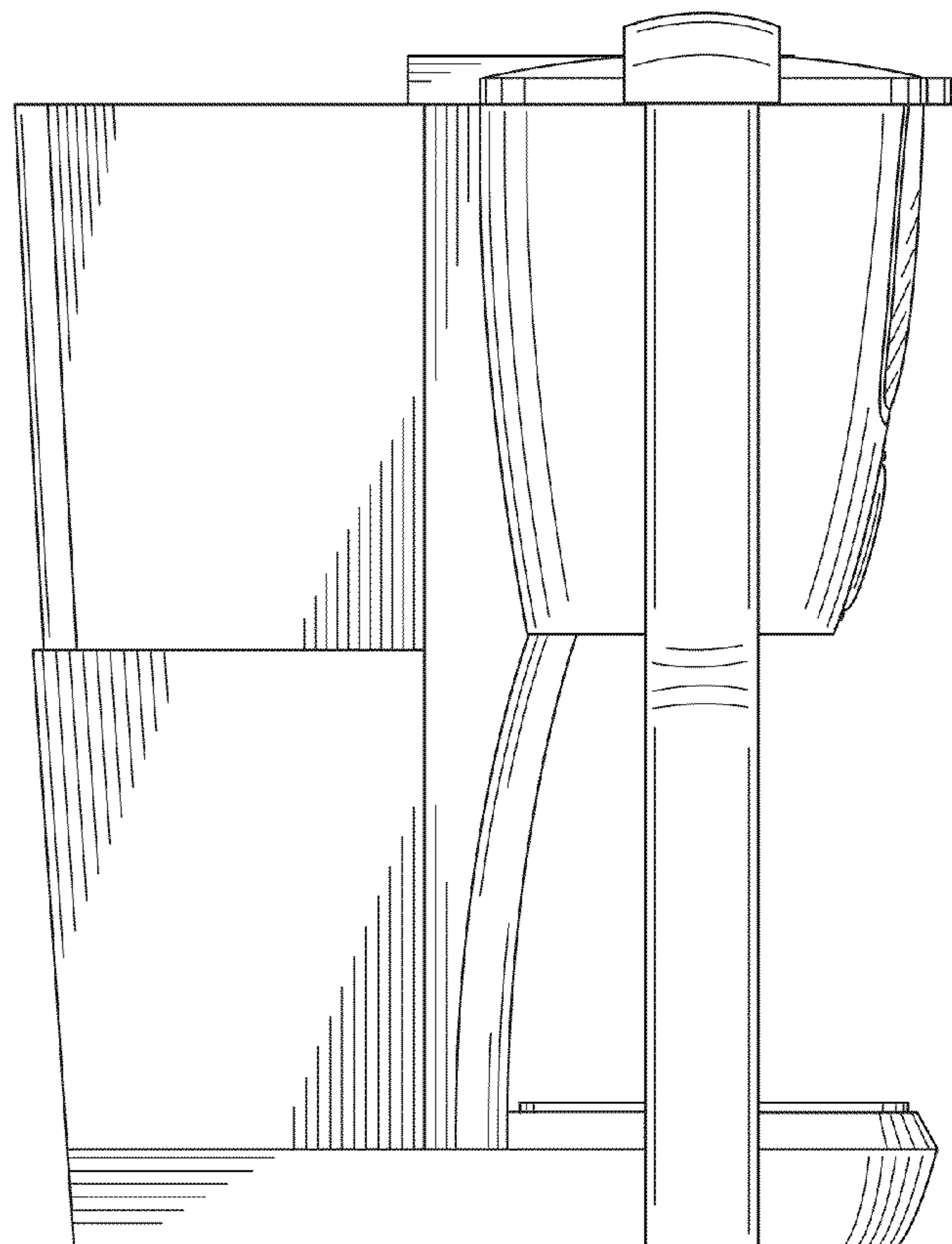


FIG. 4

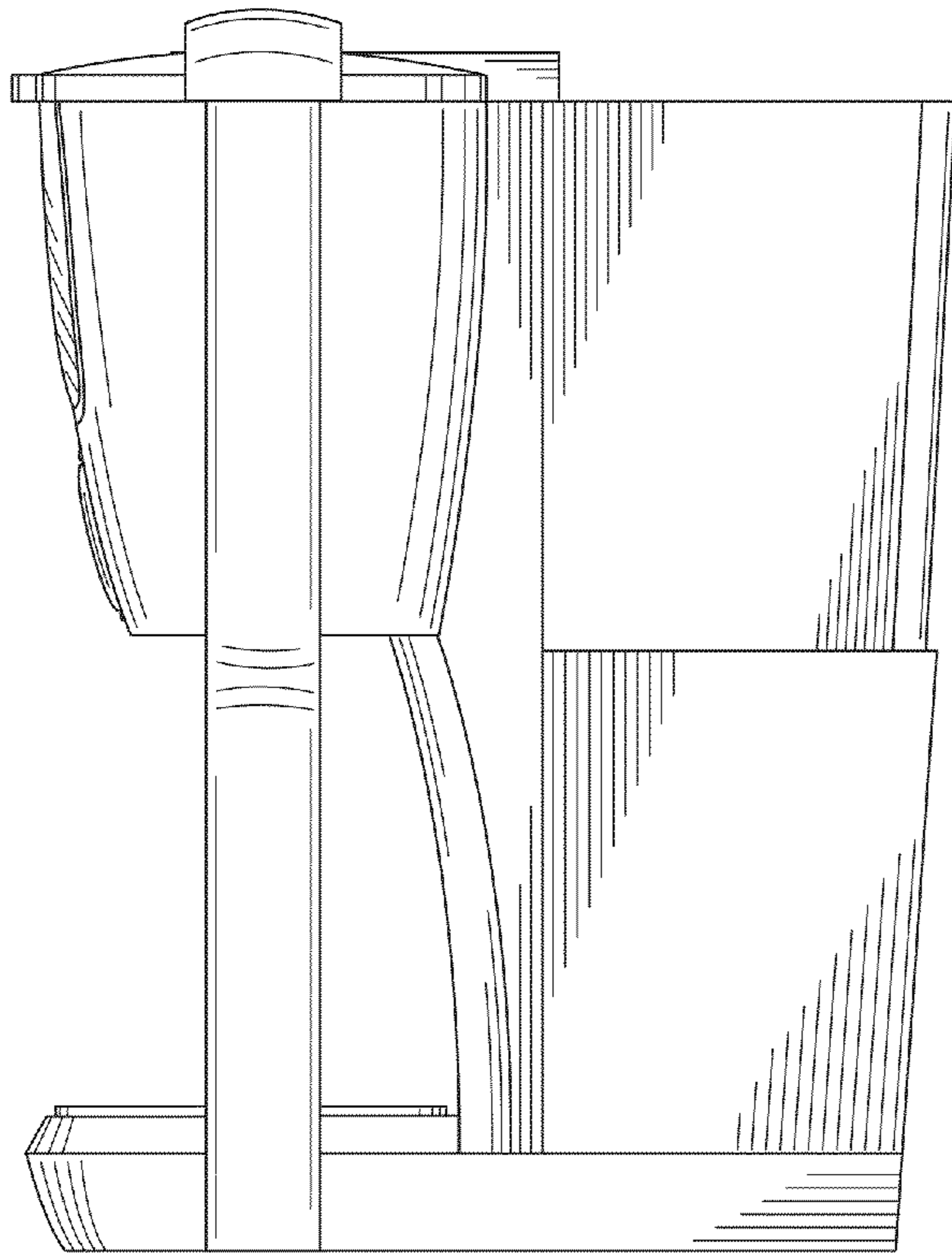


FIG. 5

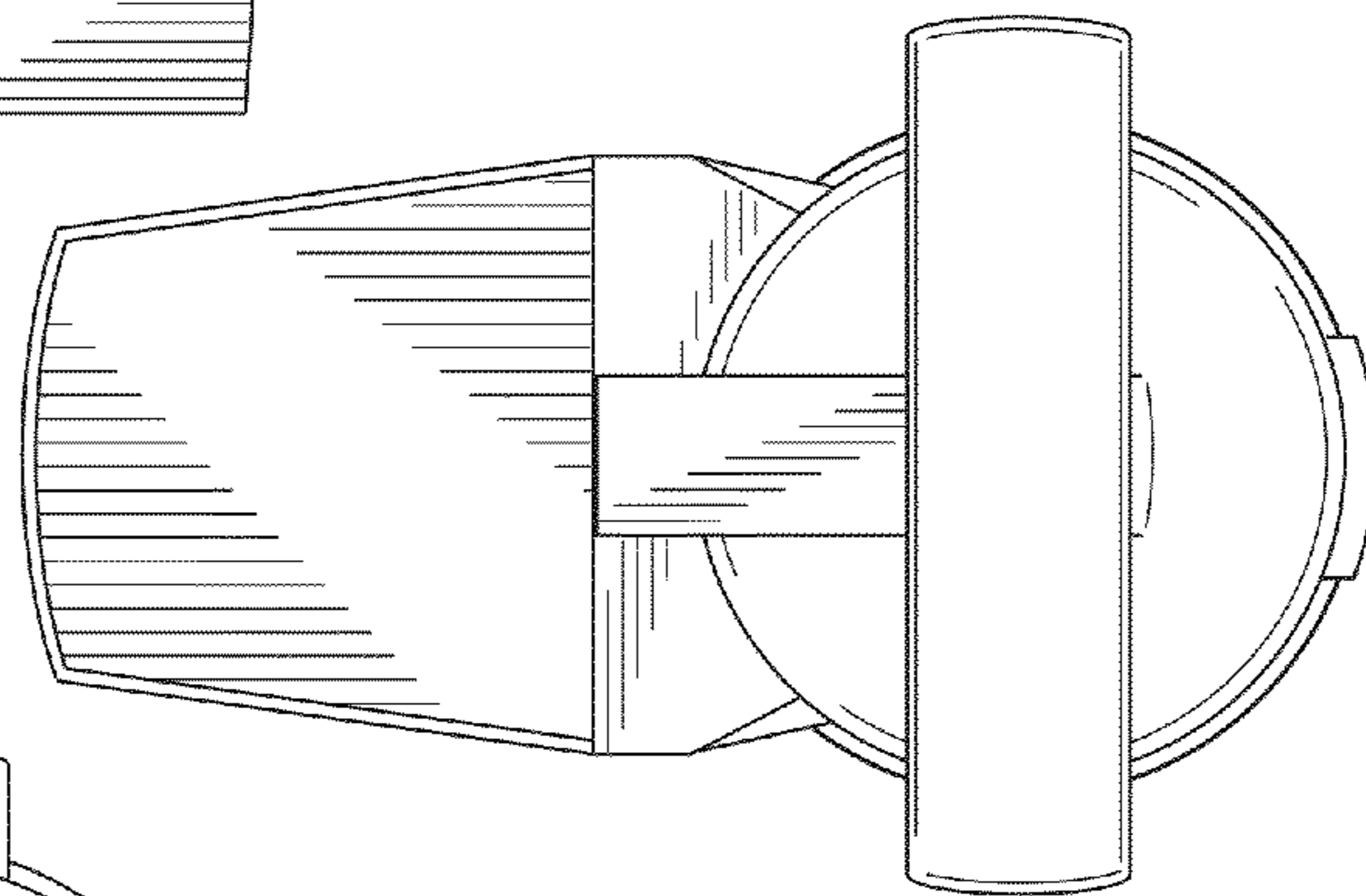


FIG. 6

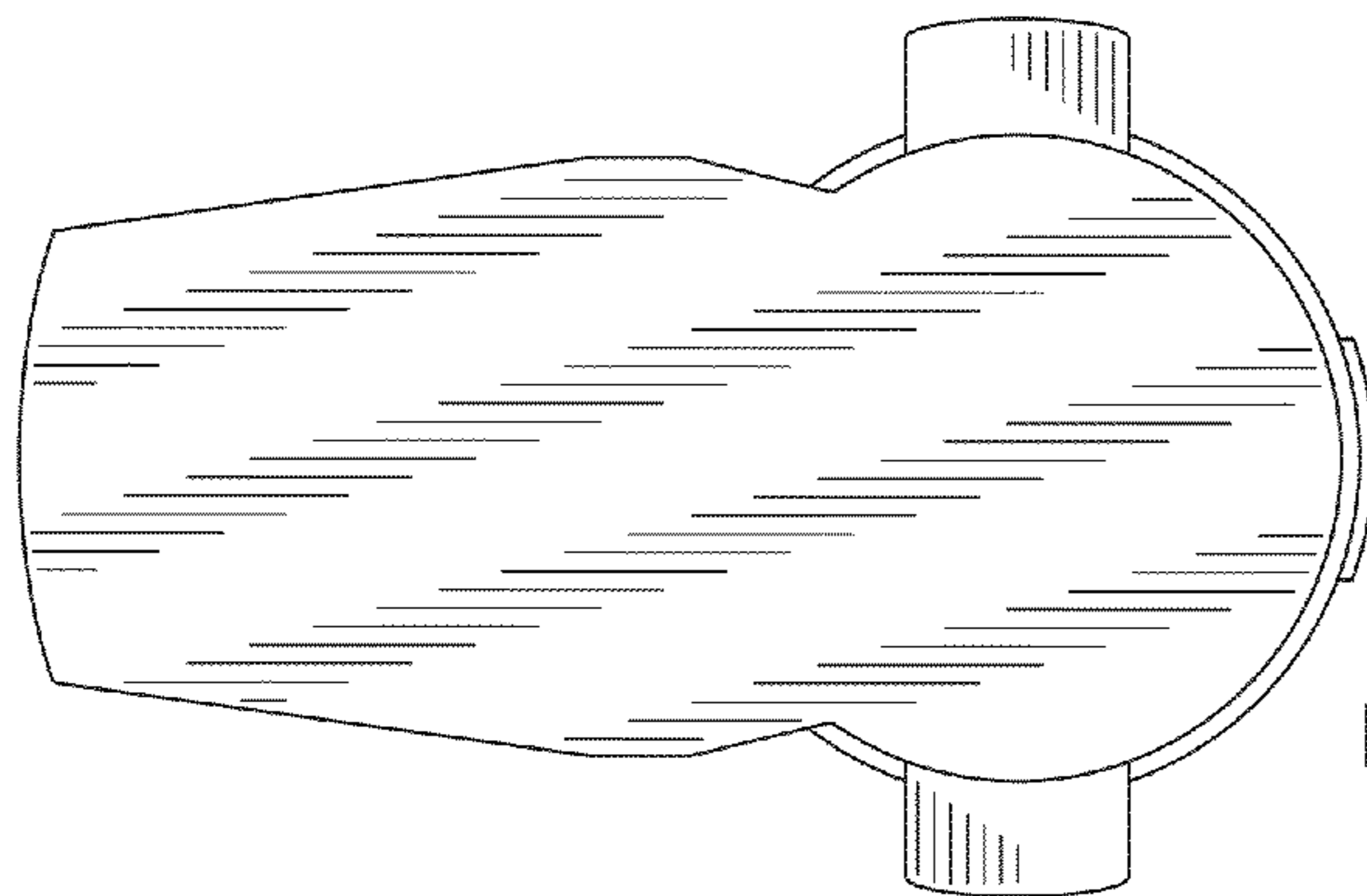


FIG. 7