



US00D696890S

(12) **United States Design Patent**  
**Poniedzialek**

(10) **Patent No.:** **US D696,890 S**

(45) **Date of Patent:** **\*\* Jan. 7, 2014**

(54) **SINGLE BEVERAGE BREWER**

(75) Inventor: **Ryszard Poniedzialek**, Cracow (PL)

(73) Assignee: **Food Equipment Technologies Company, Inc.**, Lake Zurich, IL (US)

(\*\*) Term: **14 Years**

(21) Appl. No.: **29/427,523**

(22) Filed: **Jul. 19, 2012**

(51) **LOC (10) Cl.** ..... **07-01**

(52) **U.S. Cl.**  
USPC ..... **D7/309**

(58) **Field of Classification Search**  
USPC ..... D7/306-311, 300, 305; 99/282, 279,  
99/280, 300, 305; 222/146.5, 129.1  
See application file for complete search history.

(56) **References Cited**

**U.S. PATENT DOCUMENTS**

D239,758	S	*	5/1976	Claxton et al.	.....	D7/309
4,054,085	A	*	10/1977	Tarr	.....	99/284
4,309,939	A	*	1/1982	Stover	.....	99/280
4,602,145	A	*	7/1986	Roberts	.....	392/496
D297,098	S	*	8/1988	Ohya et al.	.....	D7/309
D318,973	S	*	8/1991	Hasslacher	.....	D7/308
D324,319	S	*	3/1992	Faerber et al.	.....	D7/308
D335,607	S	*	5/1993	Newman	.....	D7/305
6,752,069	B1	*	6/2004	Burke et al.	.....	99/280
D498,111	S	*	11/2004	Lassota et al.	.....	D7/309

D498,112	S	*	11/2004	Lassota et al.	.....	D7/309
D577,244	S	*	9/2008	Cahen	.....	D7/305
D600,061	S	*	9/2009	Glucksman et al.	.....	D7/309
2004/0112224	A1	*	6/2004	Drobeck	.....	99/279

\* cited by examiner

*Primary Examiner* — Marianne Pandozzi

(74) *Attorney, Agent, or Firm* — James W. Potthast; Potthast & Associates

(57) **CLAIM**

The ornamental design for a single beverage brewer, as shown and described.

**DESCRIPTION**

FIG. 1 is front perspective view of a single beverage brewer showing my new design;  
 FIG. 2 is a front elevation view of the single beverage brewer of FIG. 1;  
 FIG. 3 is a right side elevation view of the single beverage brewer of FIG. 1;  
 FIG. 4 is a left side elevation view of the single beverage brewer of FIG. 1;  
 FIG. 5 is a back elevation view of the single beverage brewer of FIG. 1;  
 FIG. 6 is a top view of the single beverage brewer of FIG. 1;  
 and,  
 FIG. 7 is a bottom view of the single beverage brewer of FIG. 1.

**1 Claim, 7 Drawing Sheets**

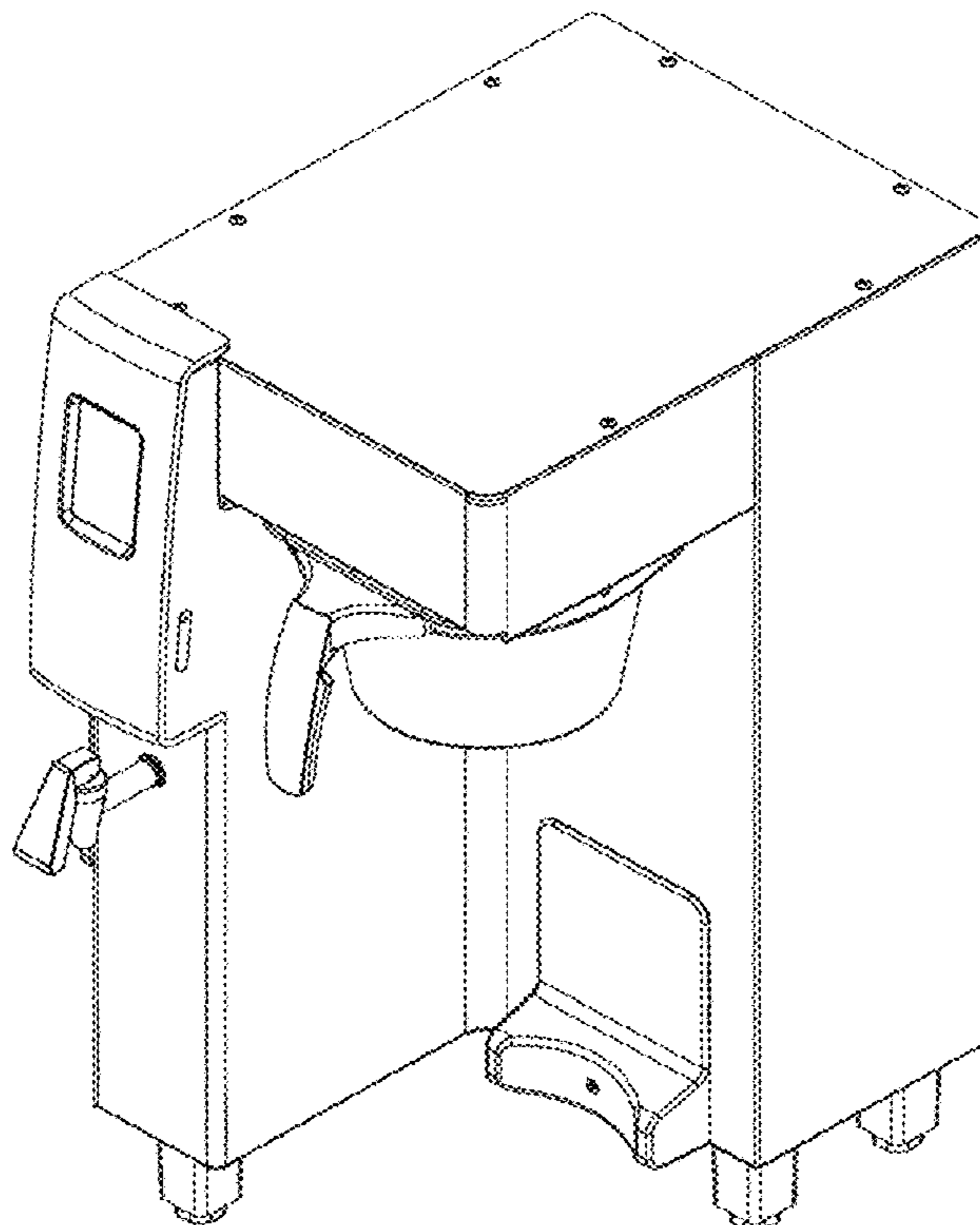


Fig. 1

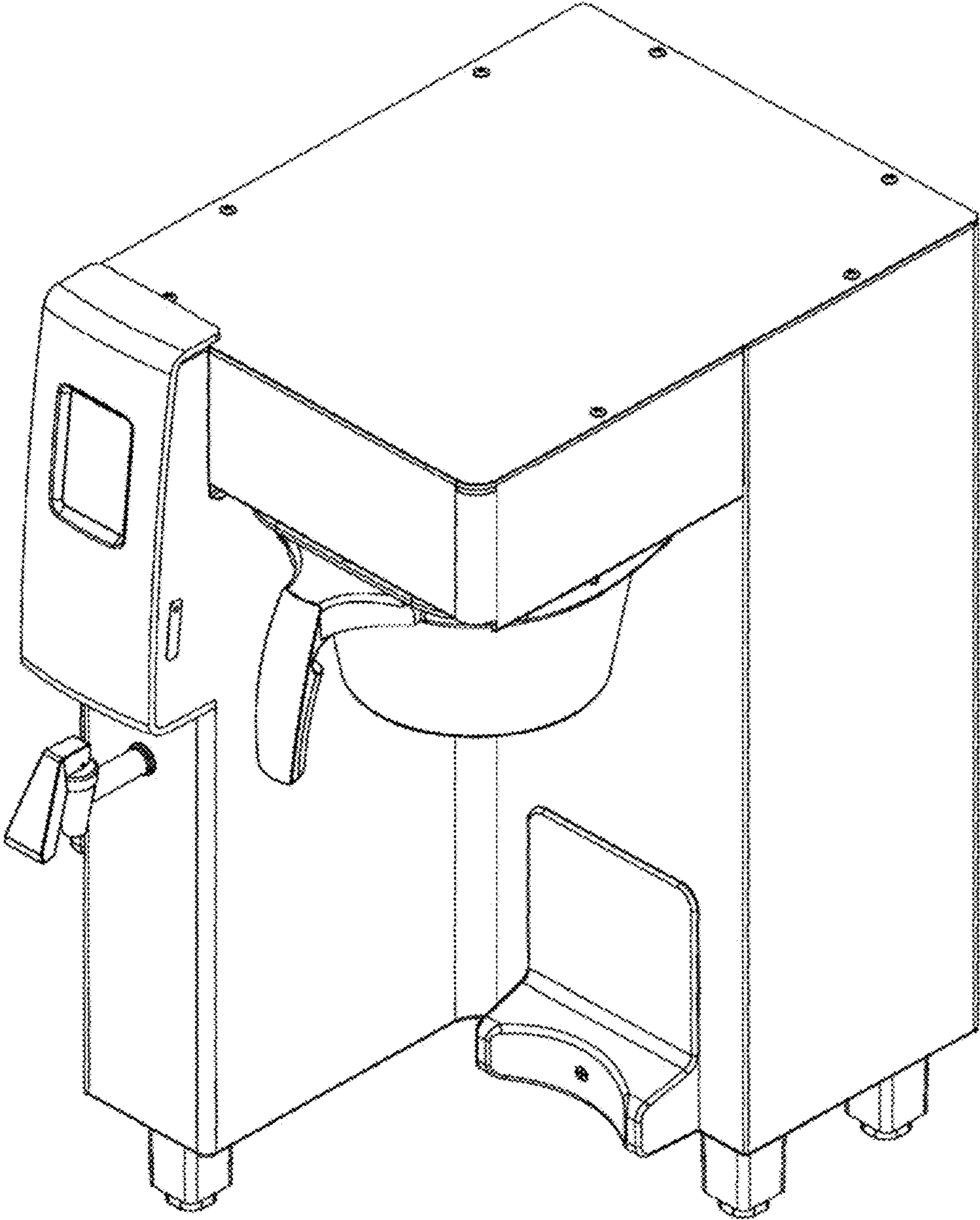


Fig. 2

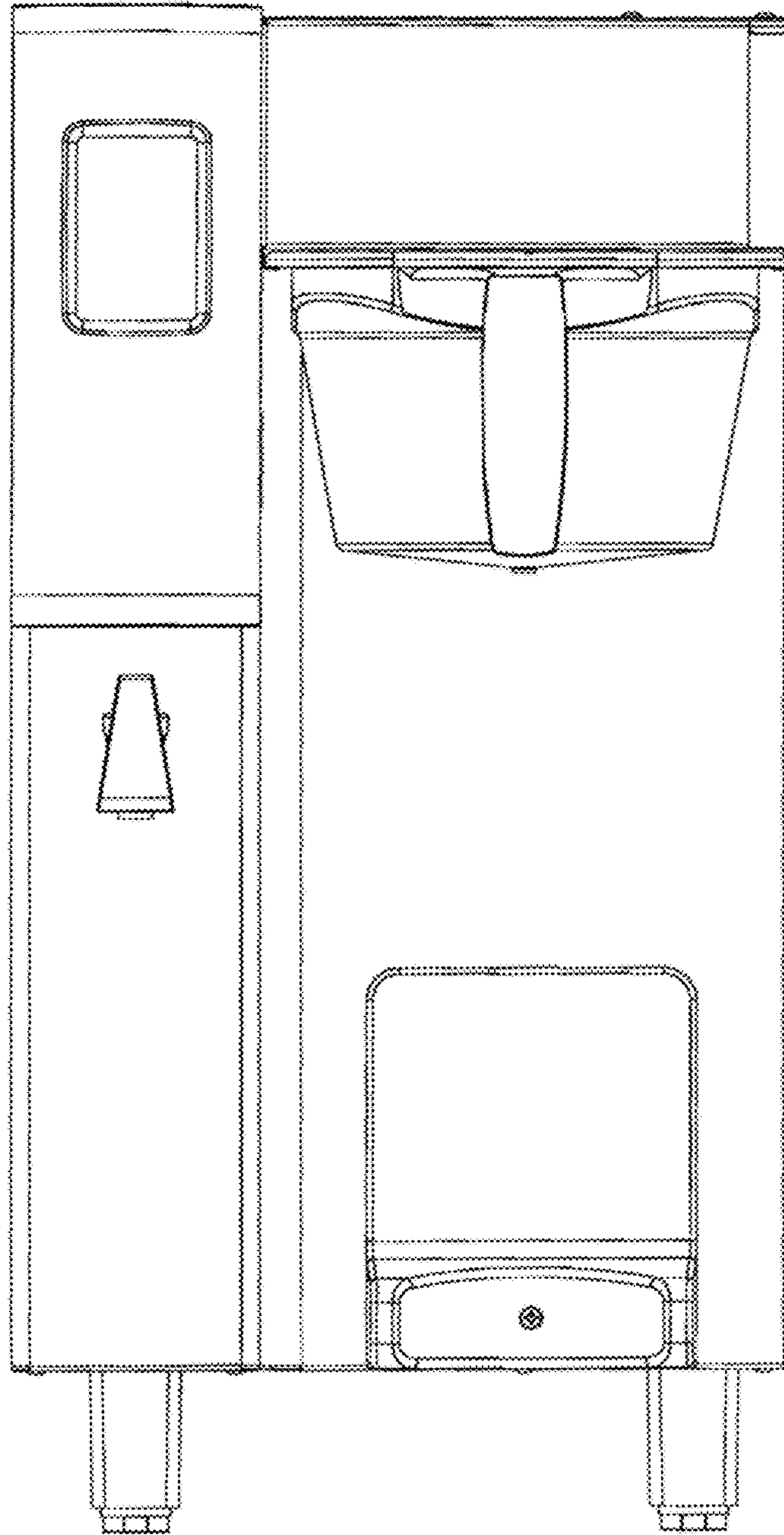




Fig. 3

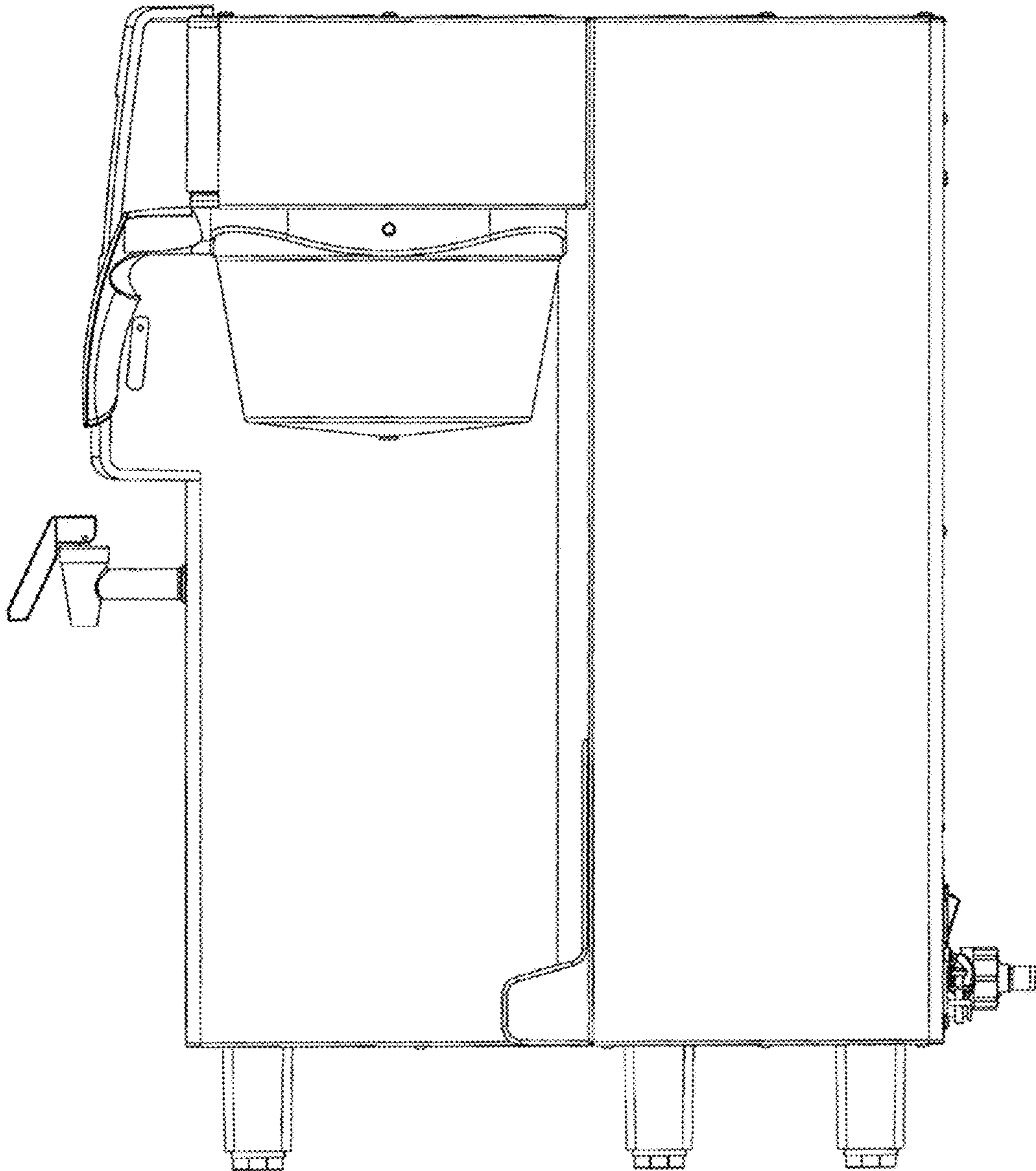


Fig. 4

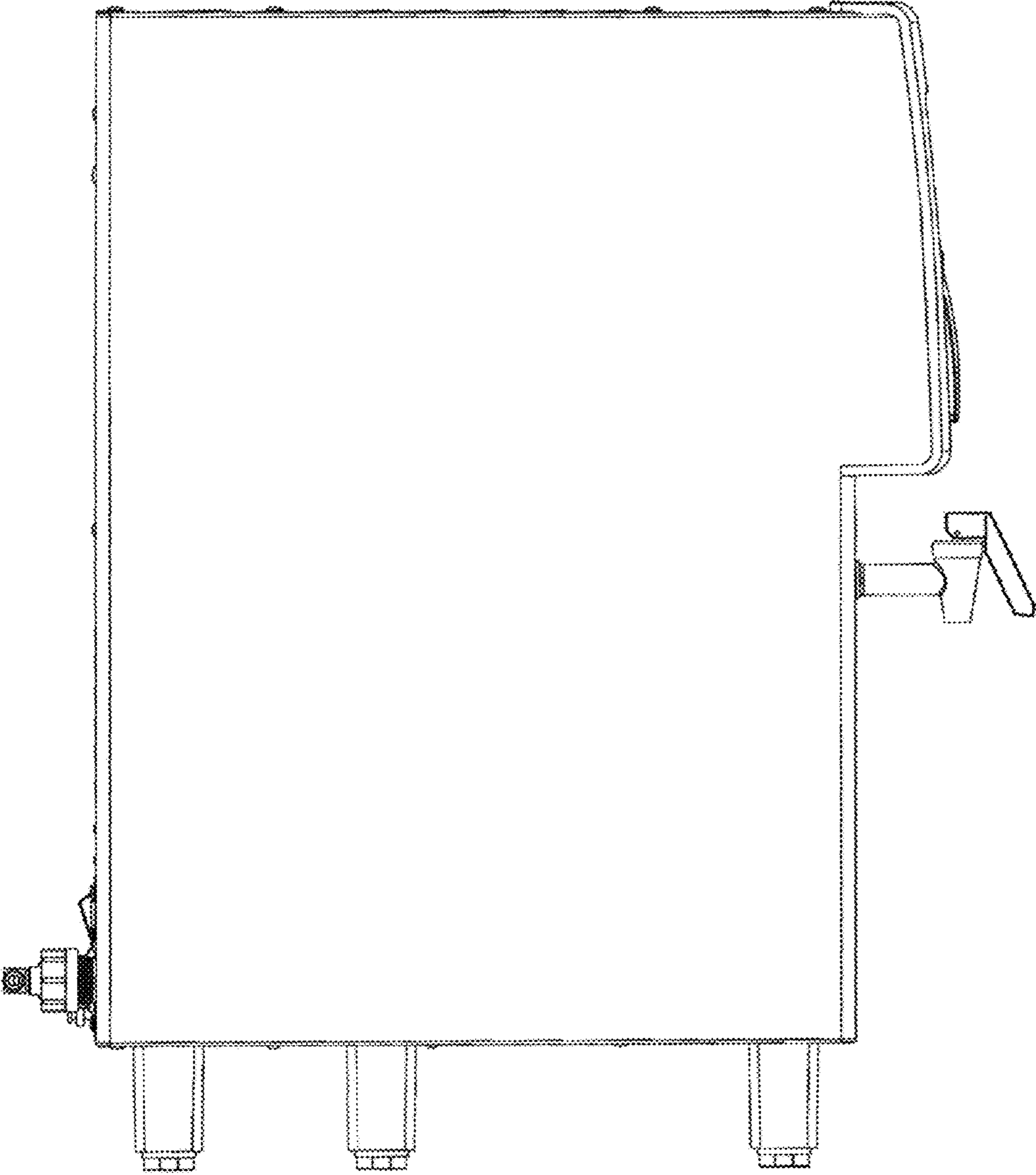


Fig. 5

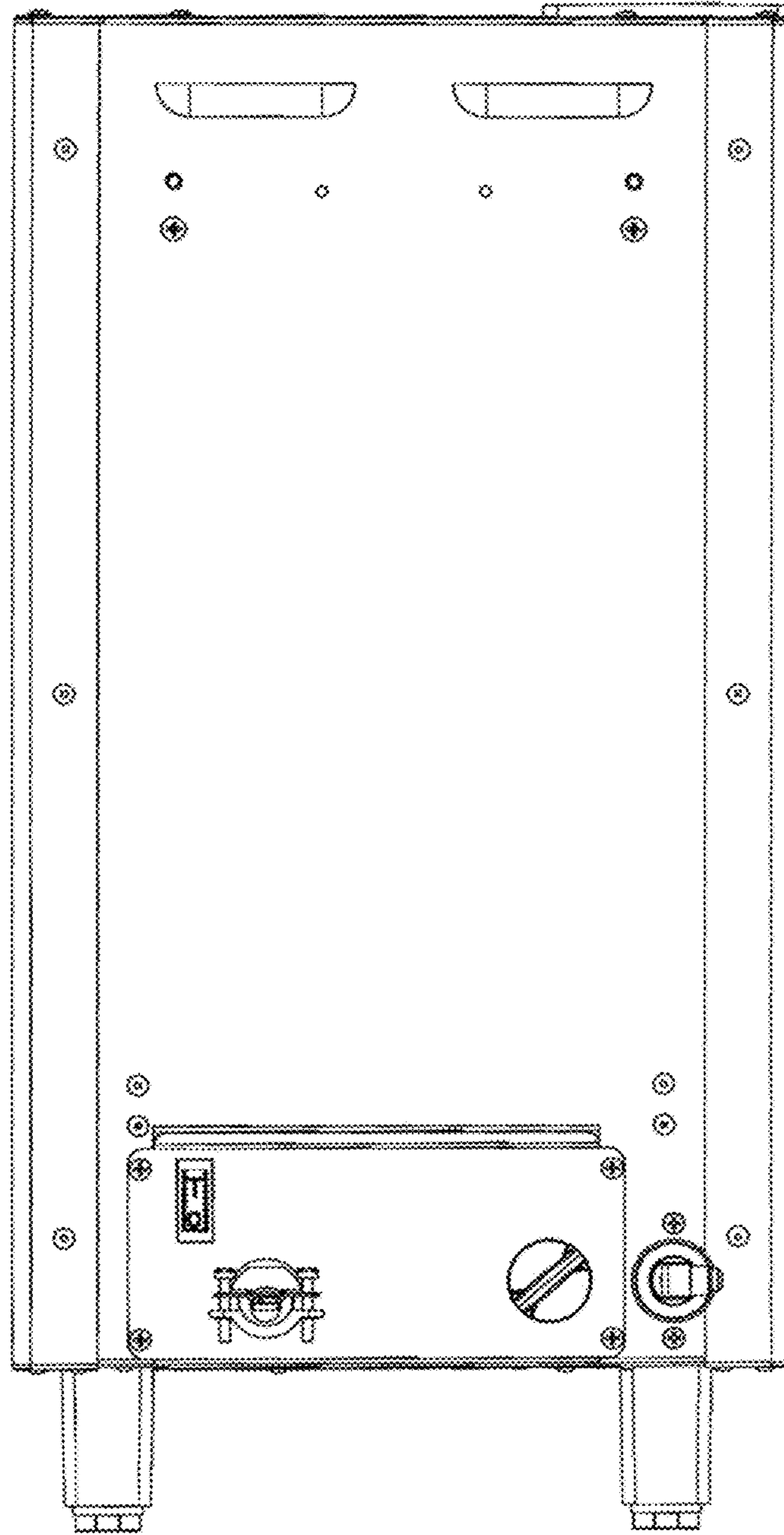


Fig. 6

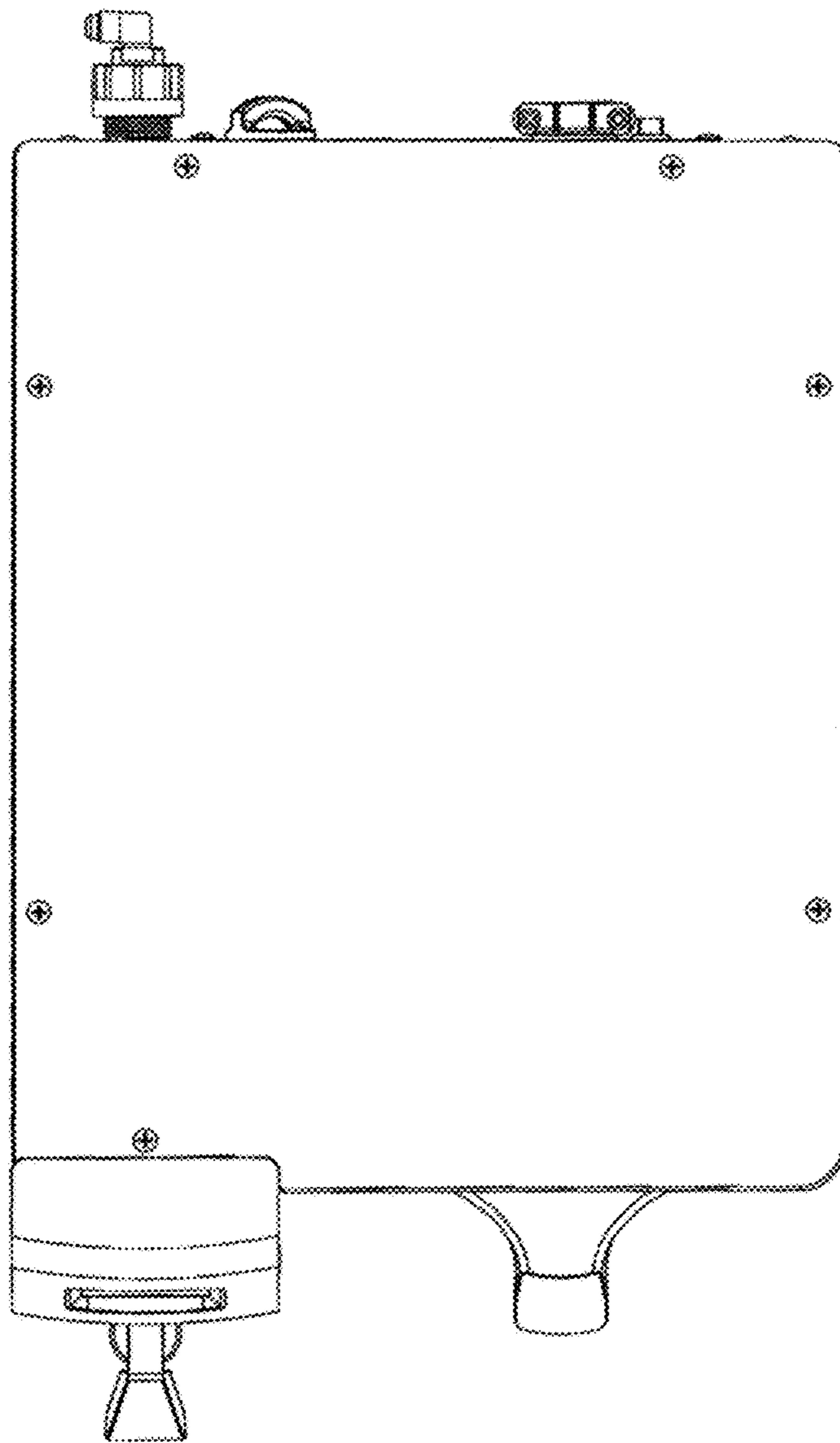


Fig. 7

