



US00D696888S

(12) **United States Design Patent**
Cahen

(10) **Patent No.:** **US D696,888 S**
(45) **Date of Patent:** **** Jan. 7, 2014**

- (54) **COFFEE MACHINES**
- (75) Inventor: **Antoine Cahen**, Lausanne (CH)
- (73) Assignee: **Societe des Produits Nestle S.A.**, Vevey (CH)
- (**) Term: **14 Years**
- (21) Appl. No.: **29/423,124**
- (22) Filed: **May 29, 2012**
- (51) **LOC (10) Cl.** **07-01**
- (52) **U.S. Cl.**
USPC **D7/309; D7/311**
- (58) **Field of Classification Search**
USPC **D7/309-311, 300, 305; 99/279, 284, 99/290**
See application file for complete search history.

| | | | | |
|--------------|---------|-----------------|-------|--------|
| D610,857 S * | 3/2010 | Pateman et al. | | D7/306 |
| D644,058 S * | 8/2011 | Cahen | | D7/309 |
| D649,392 S * | 11/2011 | Cahen | | D7/307 |
| D652,669 S * | 1/2012 | Bardazzi et al. | | D7/309 |
| D666,051 S * | 8/2012 | de Pra | | D7/309 |
| D666,451 S * | 9/2012 | Cheng | | D7/309 |
| D667,251 S * | 9/2012 | Cahen | | D7/309 |
| D674,233 S * | 1/2013 | Lavy et al. | | D7/309 |

* cited by examiner

Primary Examiner — Marianne Pandozzi
(74) *Attorney, Agent, or Firm* — K&L Gates LLP

(57) **CLAIM**
The ornamental design for a coffee machine, as shown and described.

DESCRIPTION

FIG. 1 illustrates a front perspective view of the coffee machine showing my new design;
FIG. 2 illustrates a rear elevation view thereof;
FIG. 3 illustrates a bottom view thereof;
FIG. 4 illustrates a front elevation view thereof;
FIG. 5 illustrates a left side elevation view thereof;
FIG. 6 illustrates a right side elevation view thereof; and,
FIG. 7 illustrates a top view thereof.

1 Claim, 7 Drawing Sheets

- (56) **References Cited**
U.S. PATENT DOCUMENTS
D489,214 S * 5/2004 Noda et al. D7/309
D596,441 S * 7/2009 Cahen D7/309
D596,442 S * 7/2009 Cahen D7/309
D600,967 S * 9/2009 Cahen D7/309
D602,303 S * 10/2009 Cahen D7/309

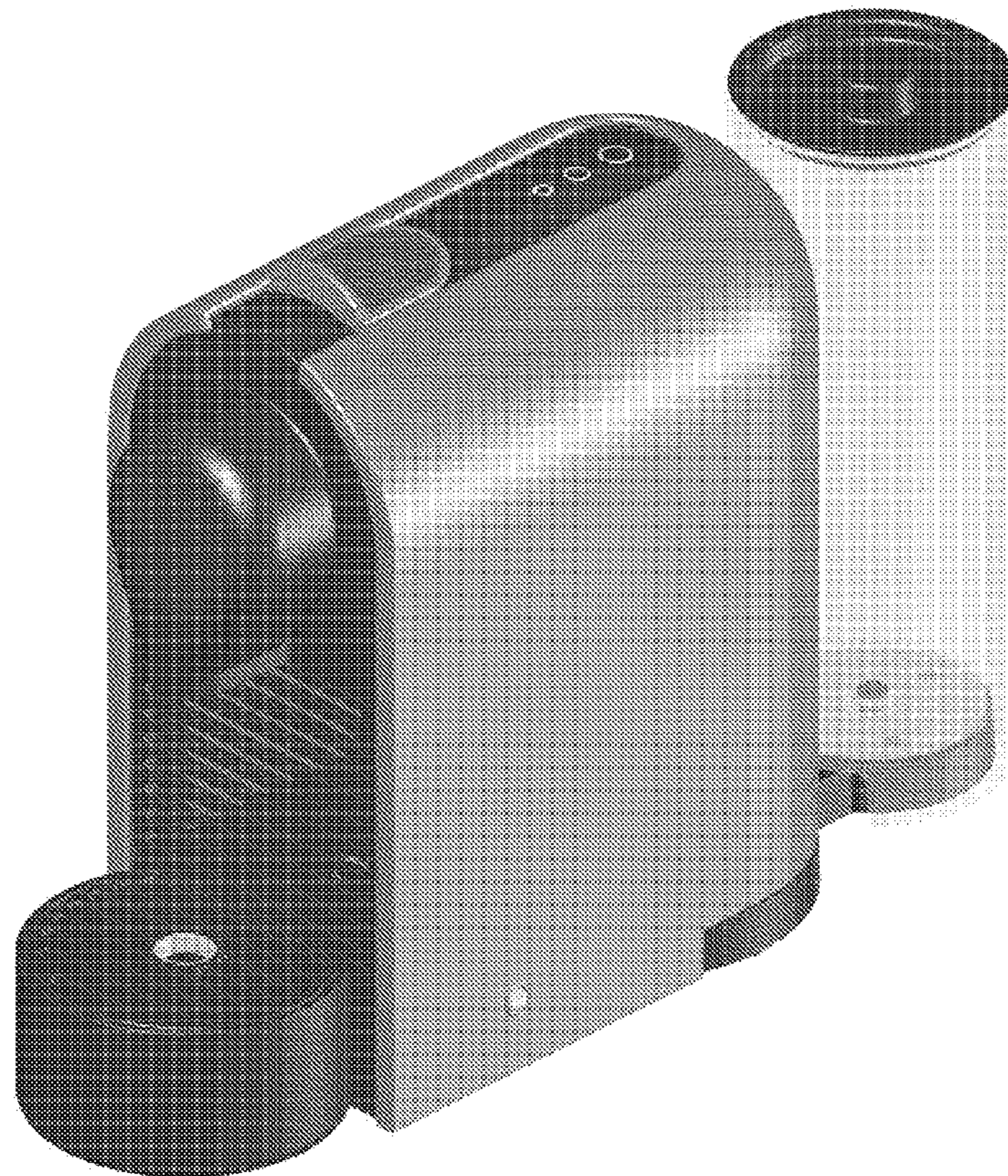




FIG. 1

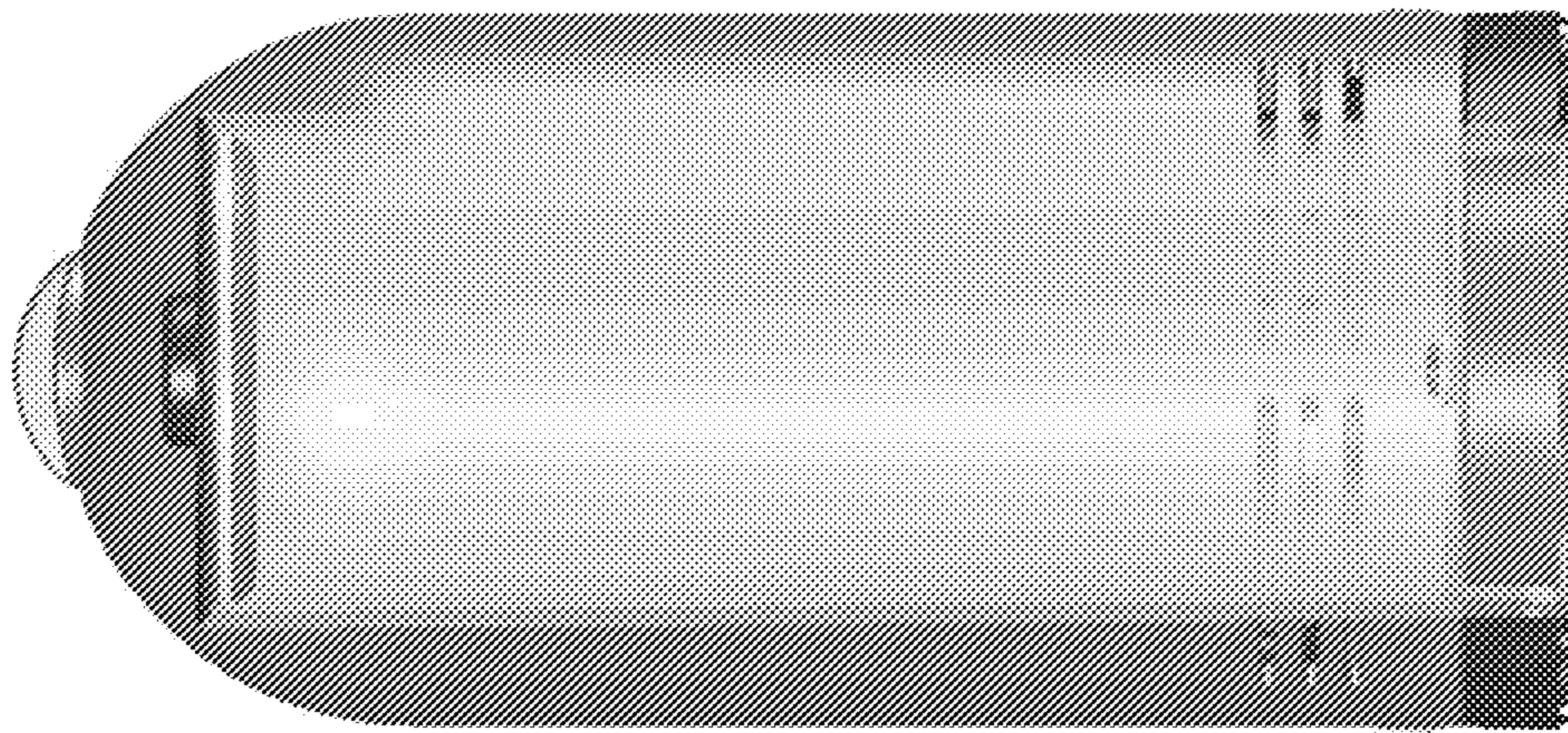


FIG. 2

FIG. 3

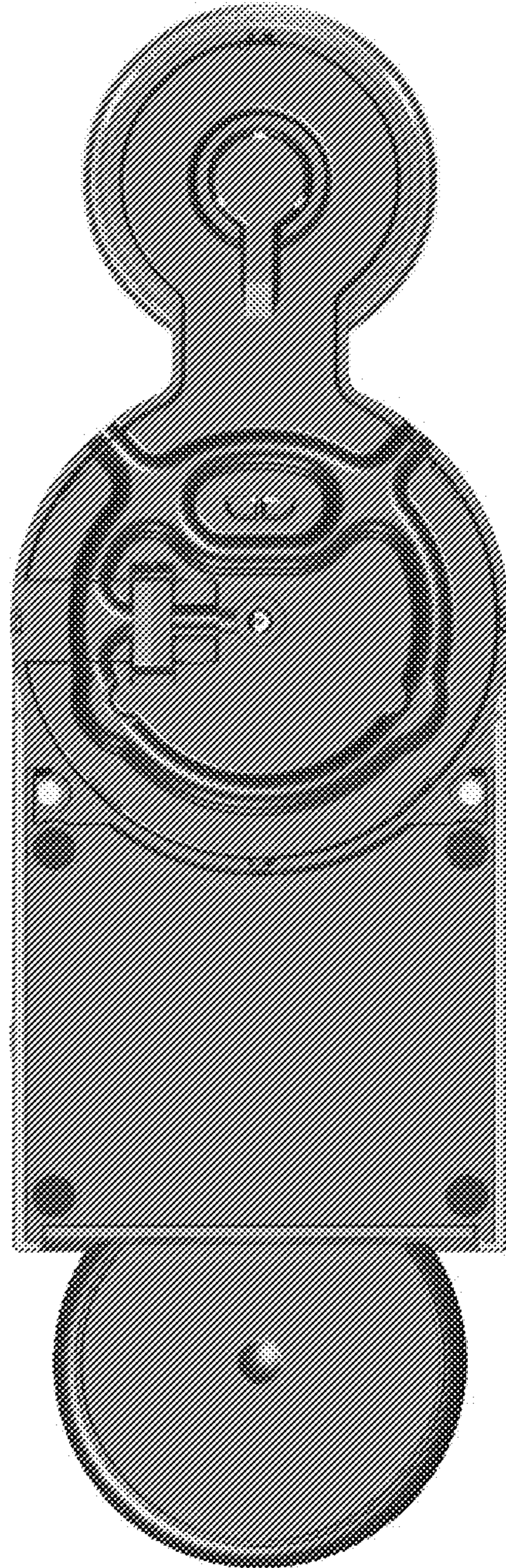


FIG. 4

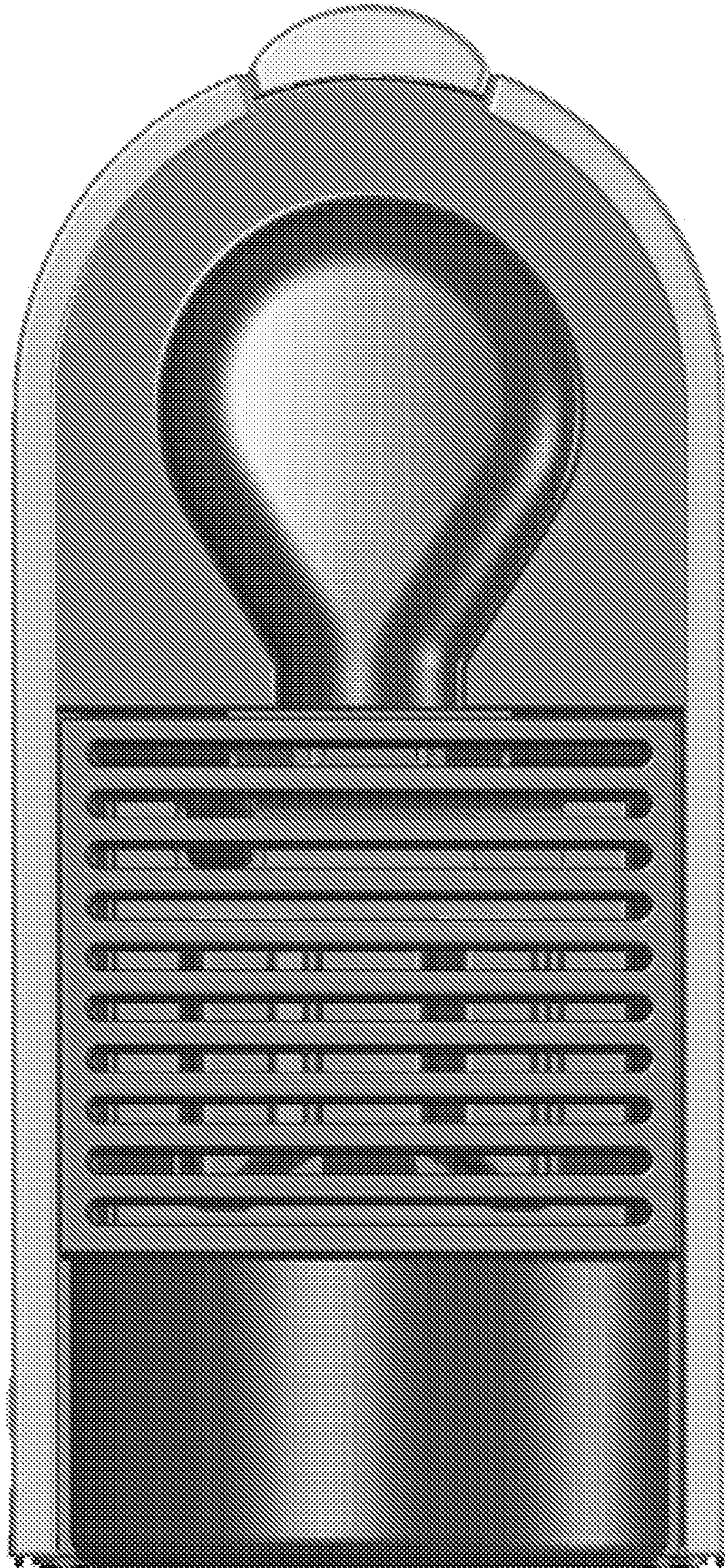


FIG. 5

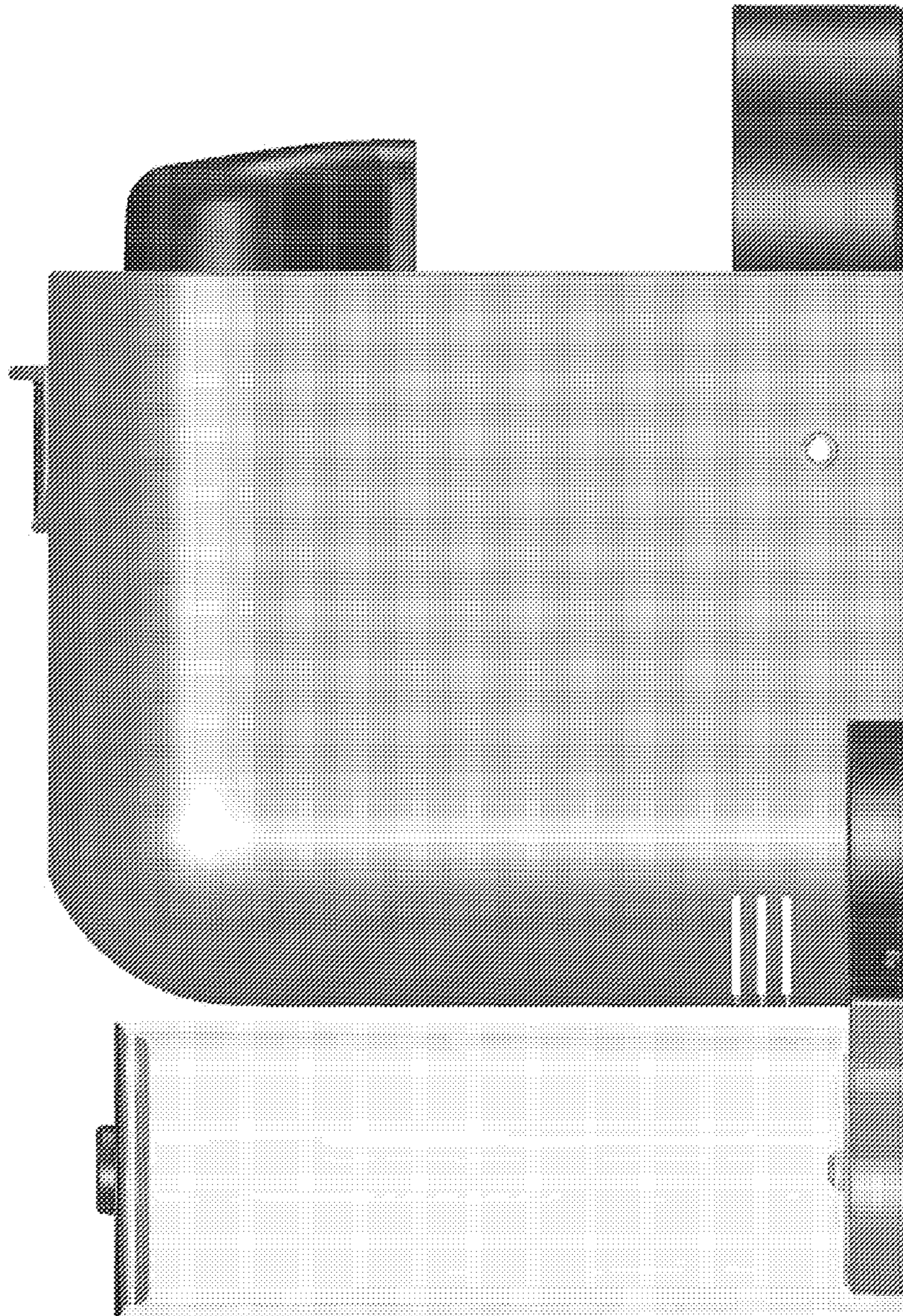


FIG. 6

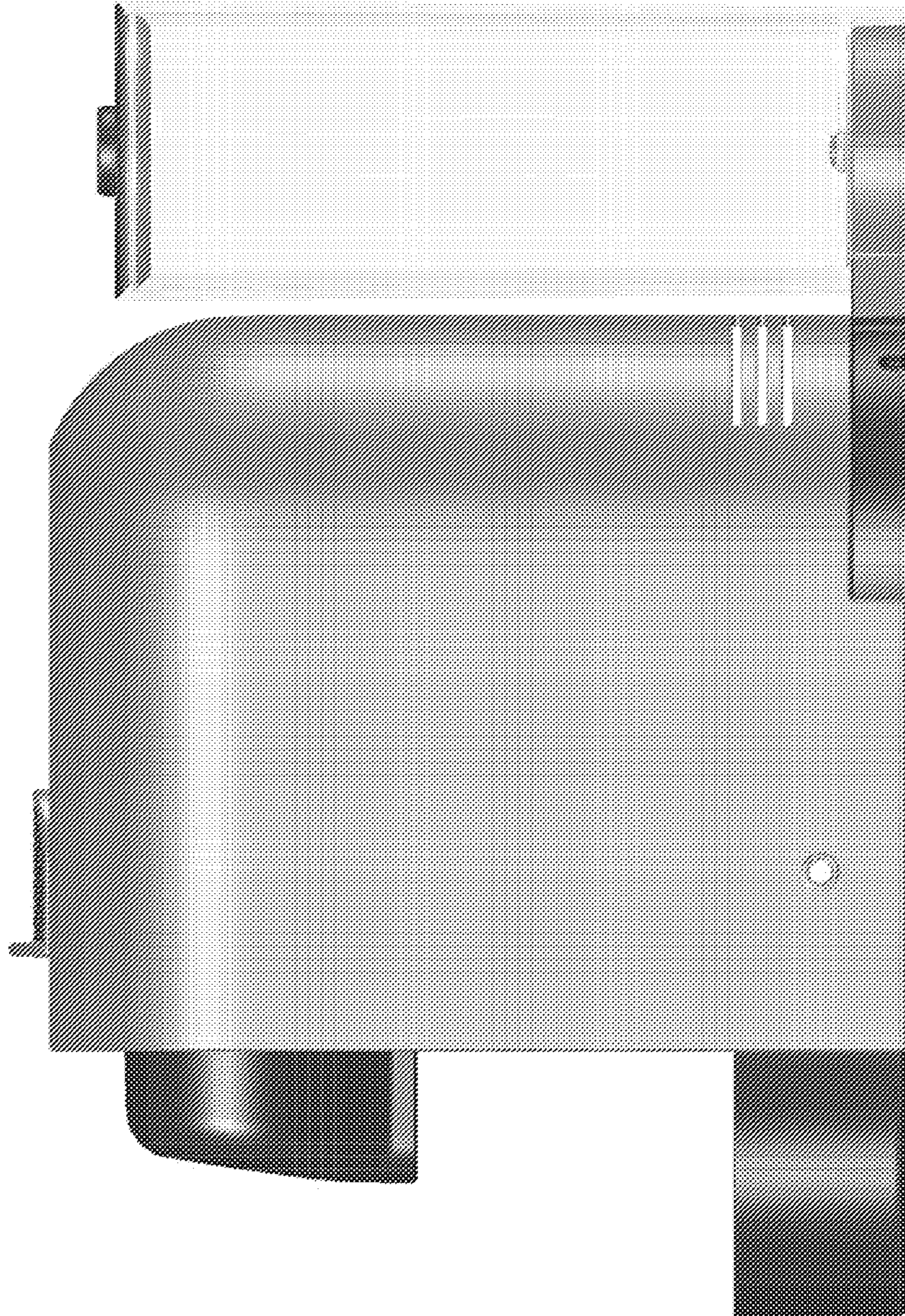


FIG. 7

