



US00D696883S

(12) **United States Design Patent**
Krusin

(10) **Patent No.:** **US D696,883 S**
(45) **Date of Patent:** **** Jan. 7, 2014**

(54) **TABLE BASE**

(75) Inventor: **Marc Krusin**, London (GB)

(73) Assignee: **Knoll, Inc.**, East Greenville, PA (US)

(**) Term: **14 Years**

(21) Appl. No.: **29/423,931**

(22) Filed: **Jun. 6, 2012**

(51) **LOC (10) Cl.** **06-06**

(52) **U.S. Cl.**
USPC **D6/708.23; D6/692.3**

(58) **Field of Classification Search**
USPC D6/406.1, 656, 656.13, 656.15, 691,
D6/691.3, 691.4, 692.3, 696.1, 708.23,
D6/708.24; 108/150, 50.01, 50.02, 153.1,
108/156, 161; 248/188, 188.1, 188.7
See application file for complete search history.

(56) **References Cited**

U.S. PATENT DOCUMENTS

3,207,462	A *	9/1965	Zimmerman	248/159
3,347,509	A *	10/1967	Blink et al.	248/188.7
D579,239	S *	10/2008	Massaud	D6/486
D598,677	S *	8/2009	Fineberg	D6/482
D615,324	S *	5/2010	Yamamoto	D6/482

* cited by examiner

Primary Examiner — Janice Seeger

(74) *Attorney, Agent, or Firm* — Buchanan Ingersoll & Rooney PC

(57) **CLAIM**

The ornamental design for a table base, as shown and described.

DESCRIPTION

FIG. 1 is a perspective view of a table base showing my new design;
FIG. 2 is a front elevational view thereof;
FIG. 3 is a rear elevational view thereof;
FIG. 4 is a top plan view thereof;
FIG. 5 is a right side elevational view thereof;
FIG. 6 is a left side elevational view thereof; and,
FIG. 7 is a perspective view to more fully illustrate the table base with a sample table top.
The phantom lines in FIG. 7 are for illustrative purposes only to show a sample table top and form no part of the claimed design. The phantom lines in FIGS. 1 and 4 form no part of the claimed design. The bottom of the table base is not a part of the claimed design.

1 Claim, 5 Drawing Sheets

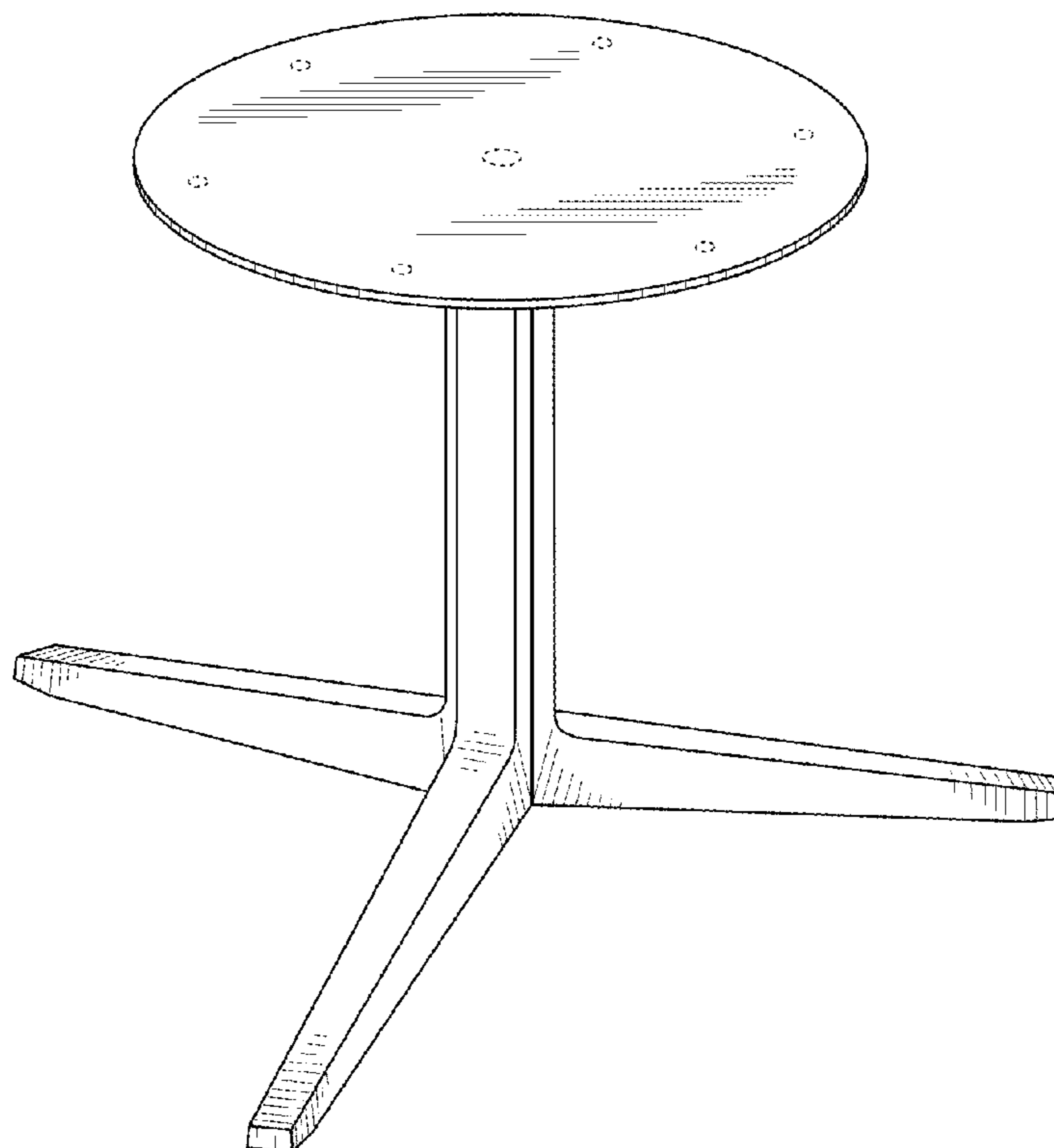




FIG. 1

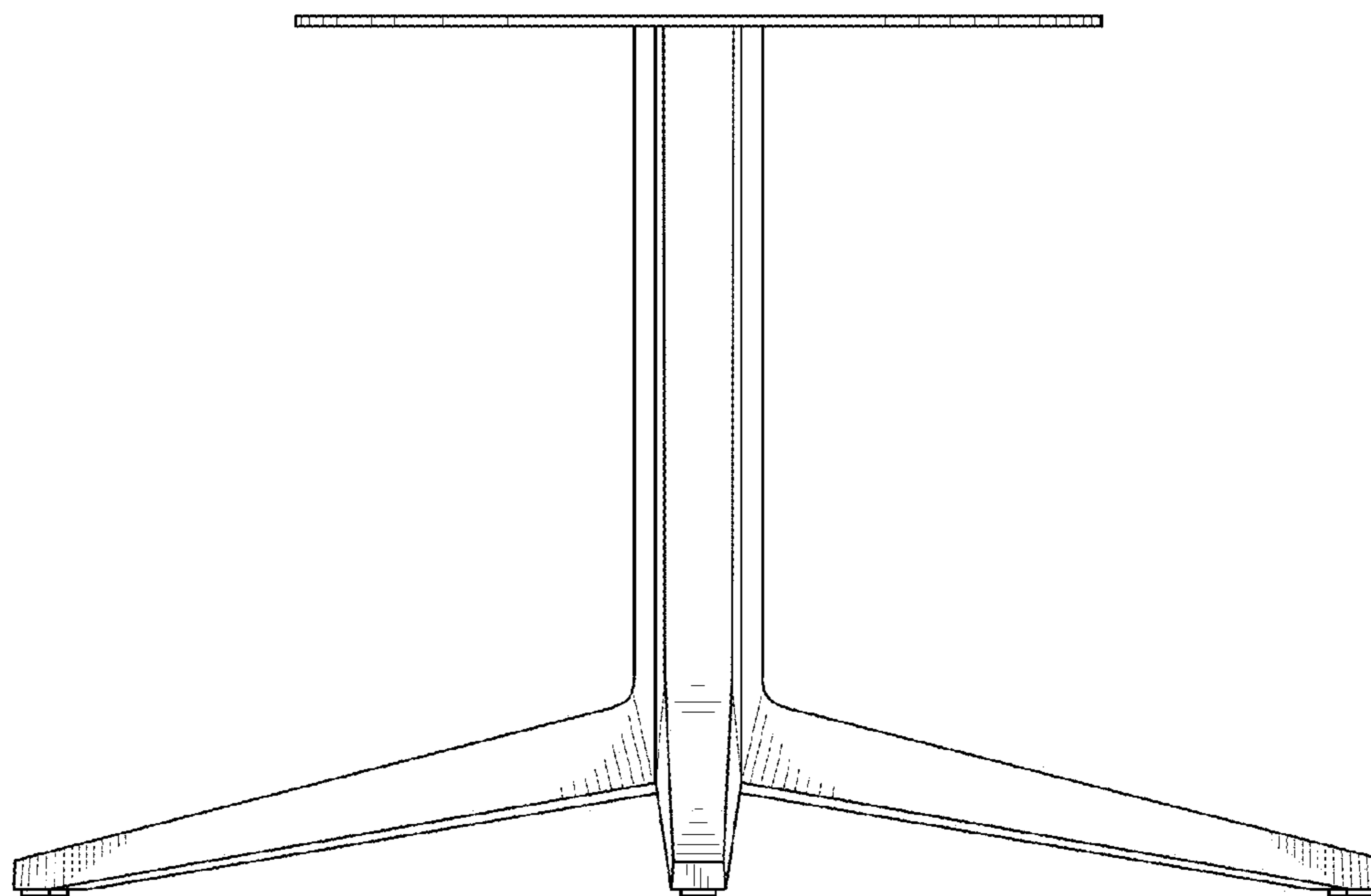


FIG. 2

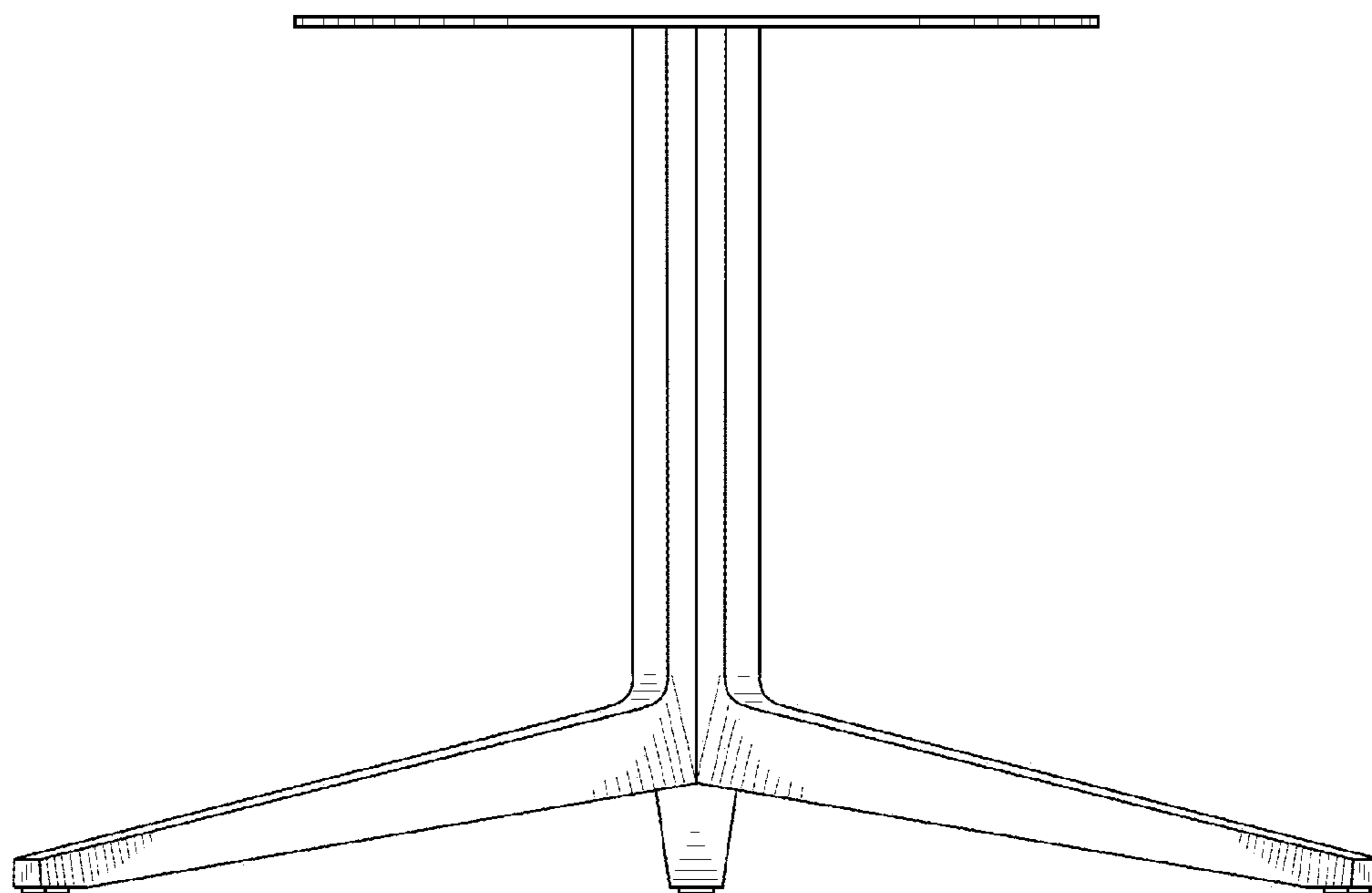


FIG. 3

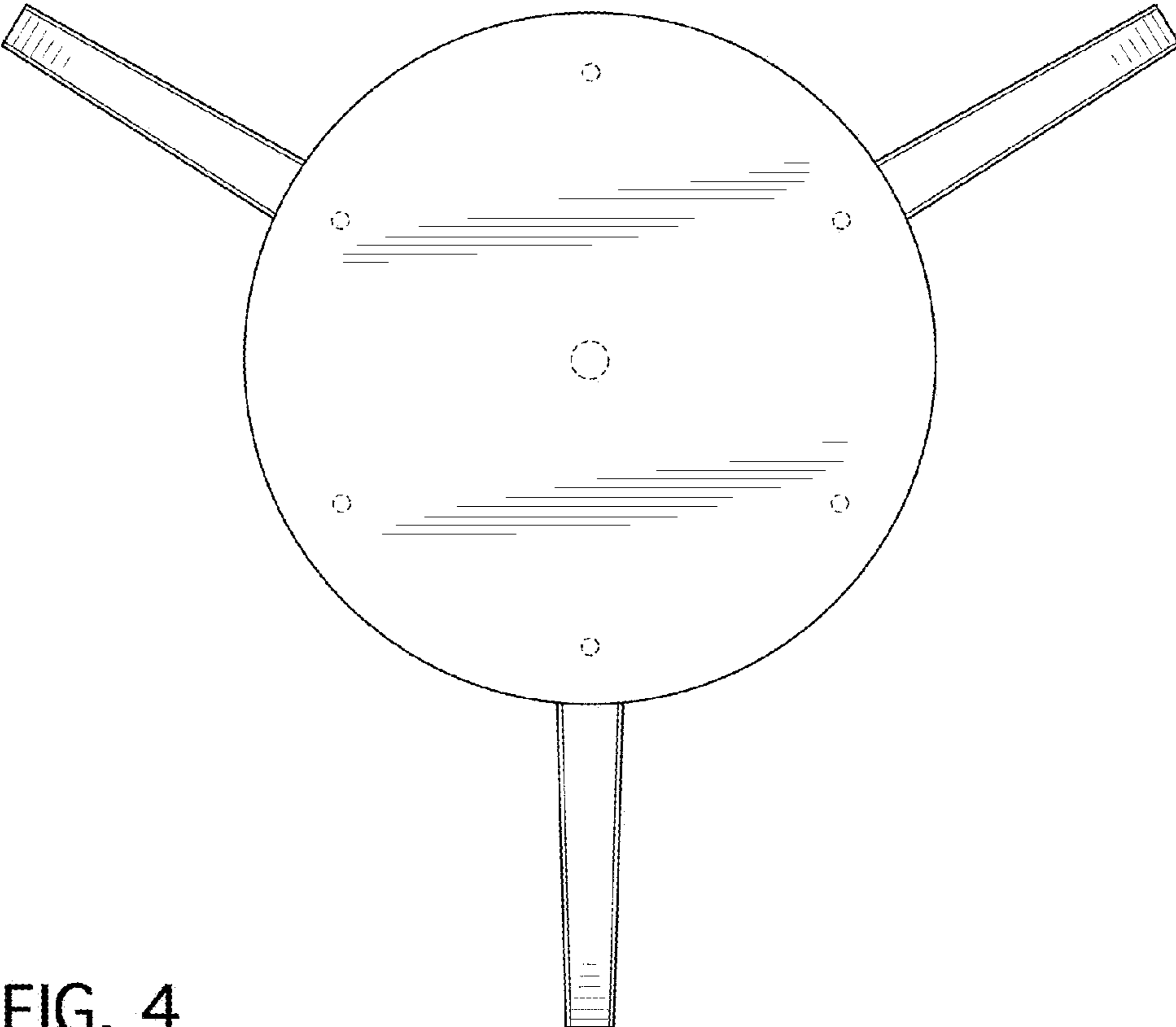


FIG. 4

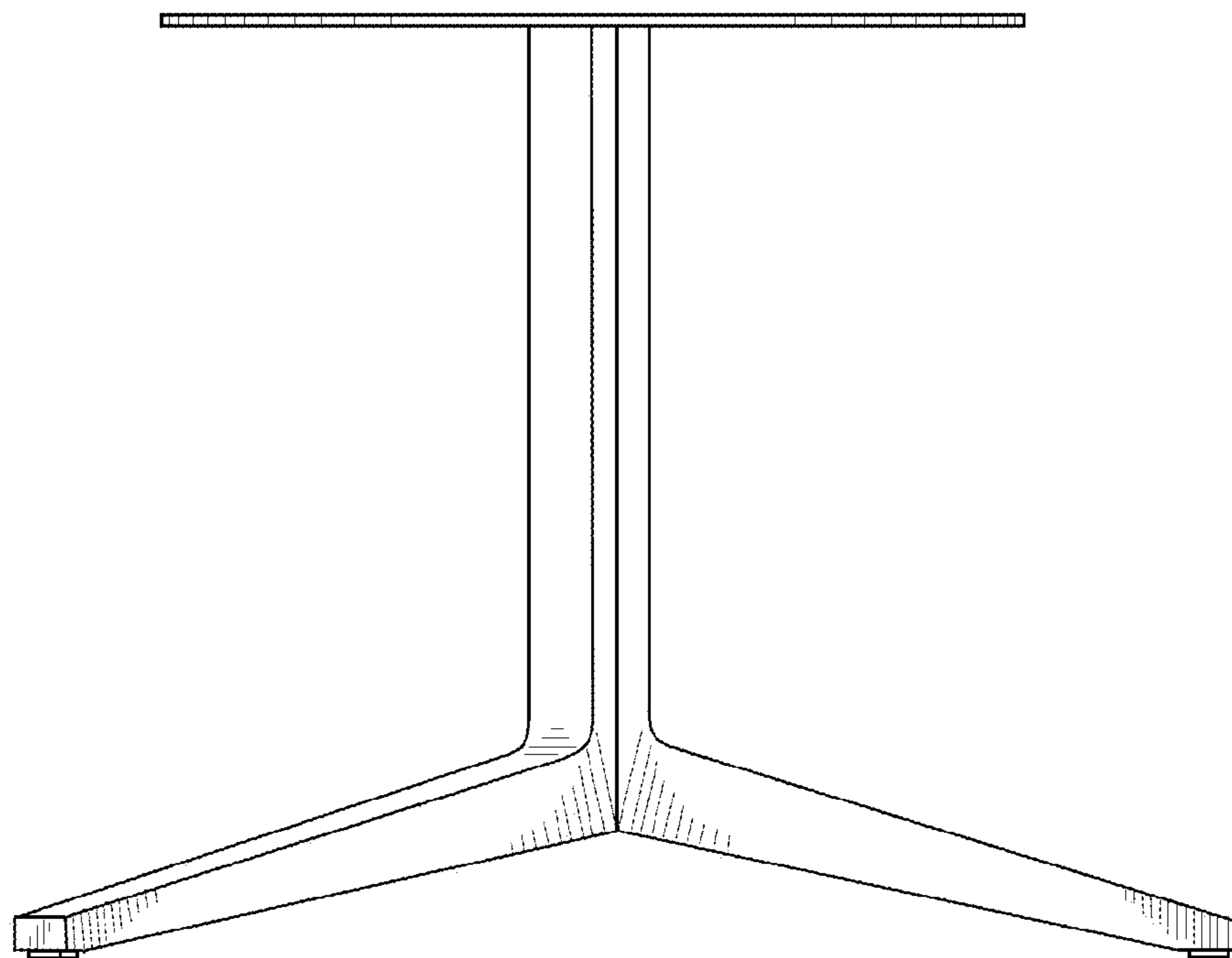


FIG. 5

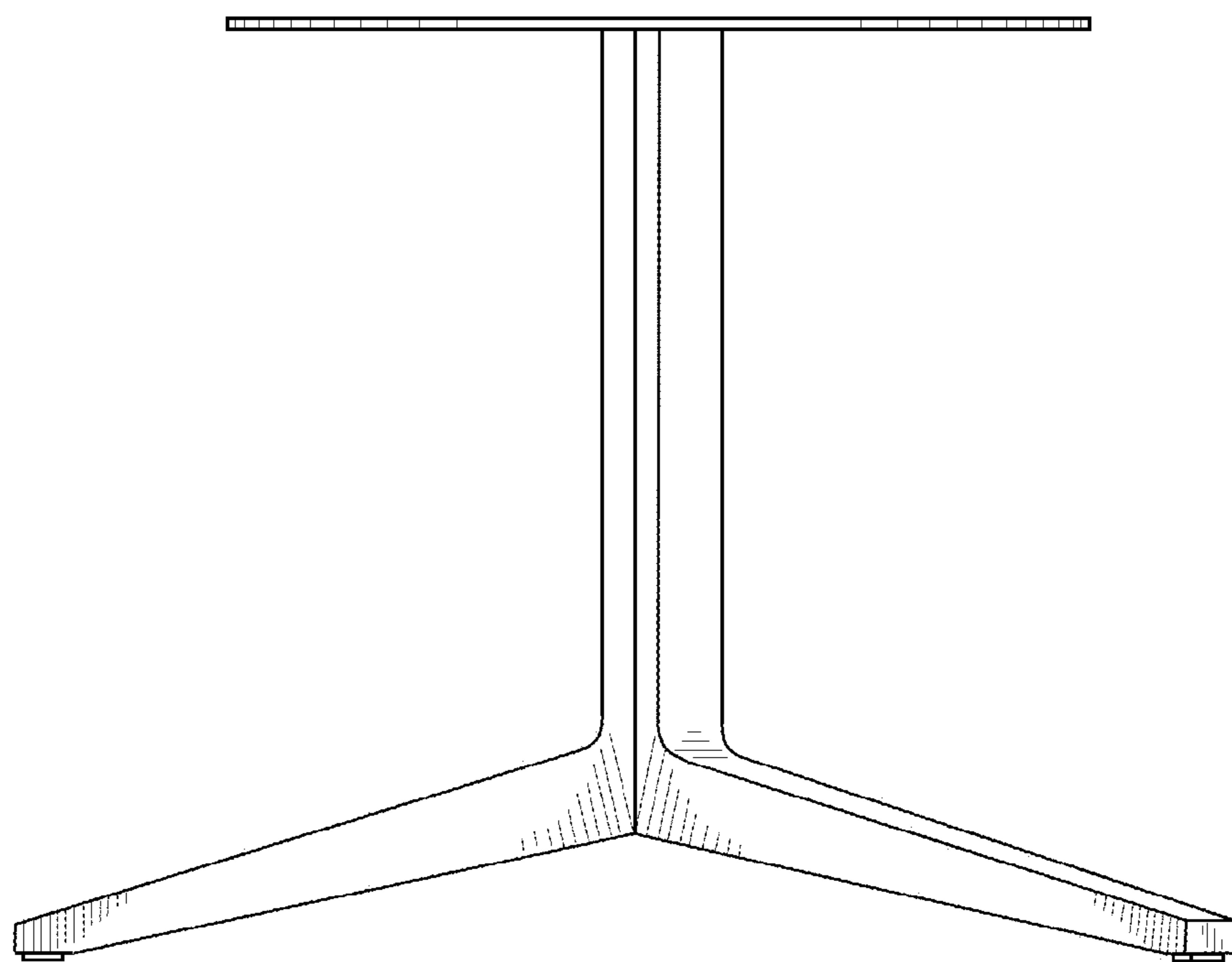


FIG. 6

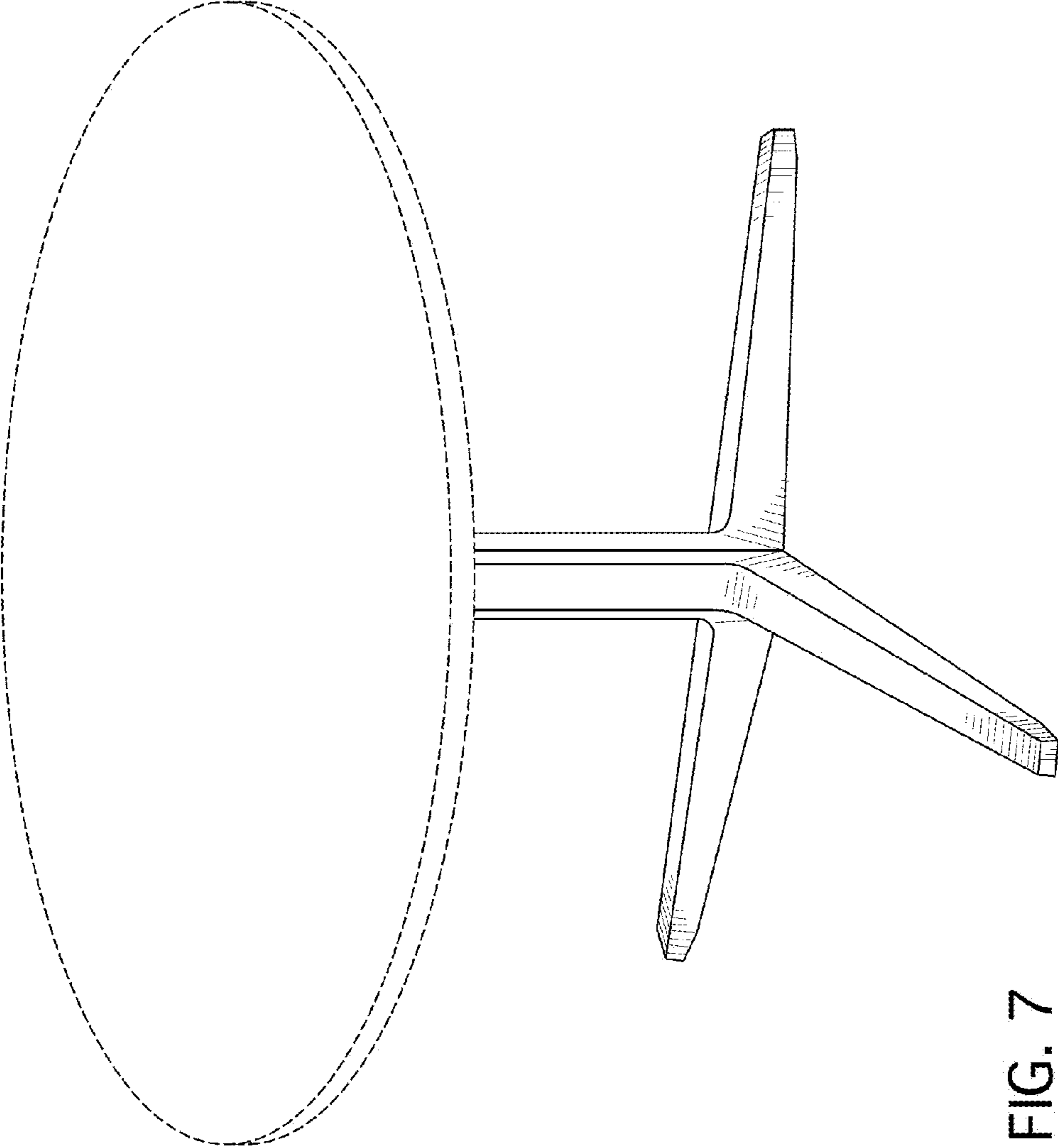


FIG. 7