



US00D696881S

(12) **United States Design Patent**  
**Yankauskas**

(10) **Patent No.:** **US D696,881 S**  
(45) **Date of Patent:** **\*\* Jan. 7, 2014**

(54) **DECORATIVE SHOE HOLDER**

(71) Applicant: **Alice T Yankauskas**, Oakland, NJ (US)

(72) Inventor: **Alice T Yankauskas**, Oakland, NJ (US)

(\*\*) Term: **14 Years**

(21) Appl. No.: **29/454,040**

(22) Filed: **May 6, 2013**

(51) **LOC (10) Cl.** ..... **06-06**

(52) **U.S. Cl.**

USPC ..... **D6/682**

(58) **Field of Classification Search**

USPC ..... D6/388, 396–397, 449–450, 491,  
D6/677–677.3, 682; D2/908, 916, 923,  
D2/928, 939, 944; D9/414, 418, 455;  
220/23.83, 507; 206/457–458;  
D7/701–702

See application file for complete search history.

(56) **References Cited**

**U.S. PATENT DOCUMENTS**

D236,664 S *	9/1975	Moore	.....	D2/944
D250,976 S *	2/1979	Finn	.....	D2/908
4,188,735 A *	2/1980	Hahn	.....	36/11.5
D556,430 S *	12/2007	Pezzner	.....	D2/936
D634,530 S *	3/2011	Curtis et al.	.....	D2/969
D664,746 S *	8/2012	Crowell	.....	D2/916
D666,798 S *	9/2012	Now	.....	D2/969
D679,519 S *	4/2013	Bartell	.....	D6/388

\* cited by examiner

*Primary Examiner* — Kelley Donnelly

(74) *Attorney, Agent, or Firm* — Ziegler IP Law Group LLC

(57) **CLAIM**

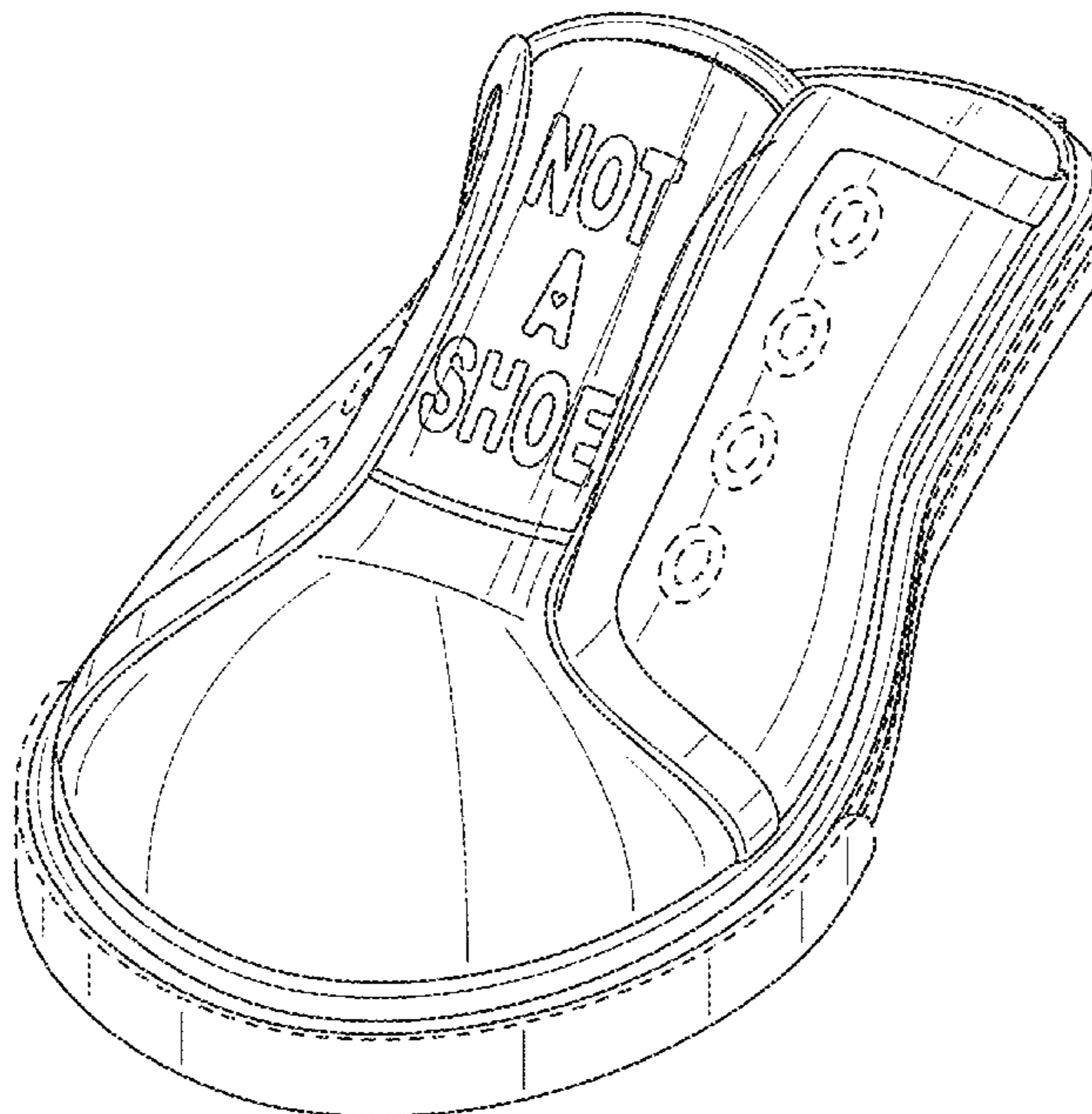
The ornamental design of a “decorative shoe holder,” as shown and described.

**DESCRIPTION**

FIG. 1 is a front perspective view of a decorative shoe holder showing a first embodiment of the new design;  
 FIG. 2 is a rear perspective view thereof;  
 FIG. 3 is a top plan view thereof;  
 FIG. 4 is a side view of the first embodiment of the decorative shoe holder, the other side view being substantially the same;  
 FIG. 5 is a front view of the first embodiment of the decorative shoe holder;  
 FIG. 6 is a rear view the first embodiment;  
 FIG. 7 is a bottom plan view of the first embodiment;  
 FIG. 8 is a front perspective view of a decorative shoe holder showing another embodiment of the new design;  
 FIG. 9 is a rear perspective view thereof;  
 FIG. 10 is a top plan view thereof;  
 FIG. 11 is a side view thereof, the other side view being substantially the same;  
 FIG. 12 is a front view thereof;  
 FIG. 13 is a rear view thereof; and,  
 FIG. 14 is a bottom plan view thereof.

The broken lines appearing in the drawings are for the purpose of illustrating portions of the article in which the design is embodied. Portions of the article appearing in broken lines form no part of the claimed design.

**1 Claim, 12 Drawing Sheets**



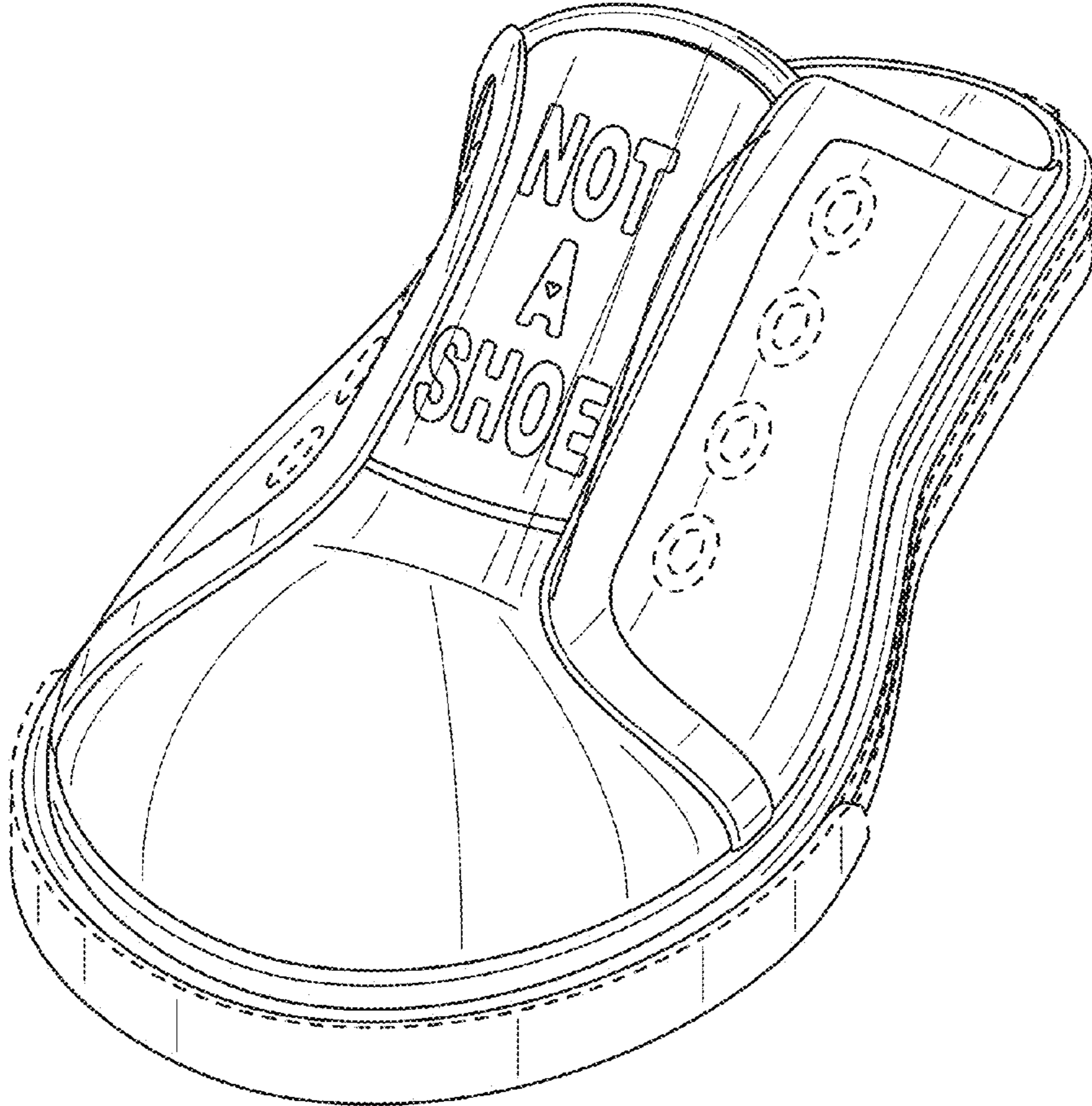


FIG. 1

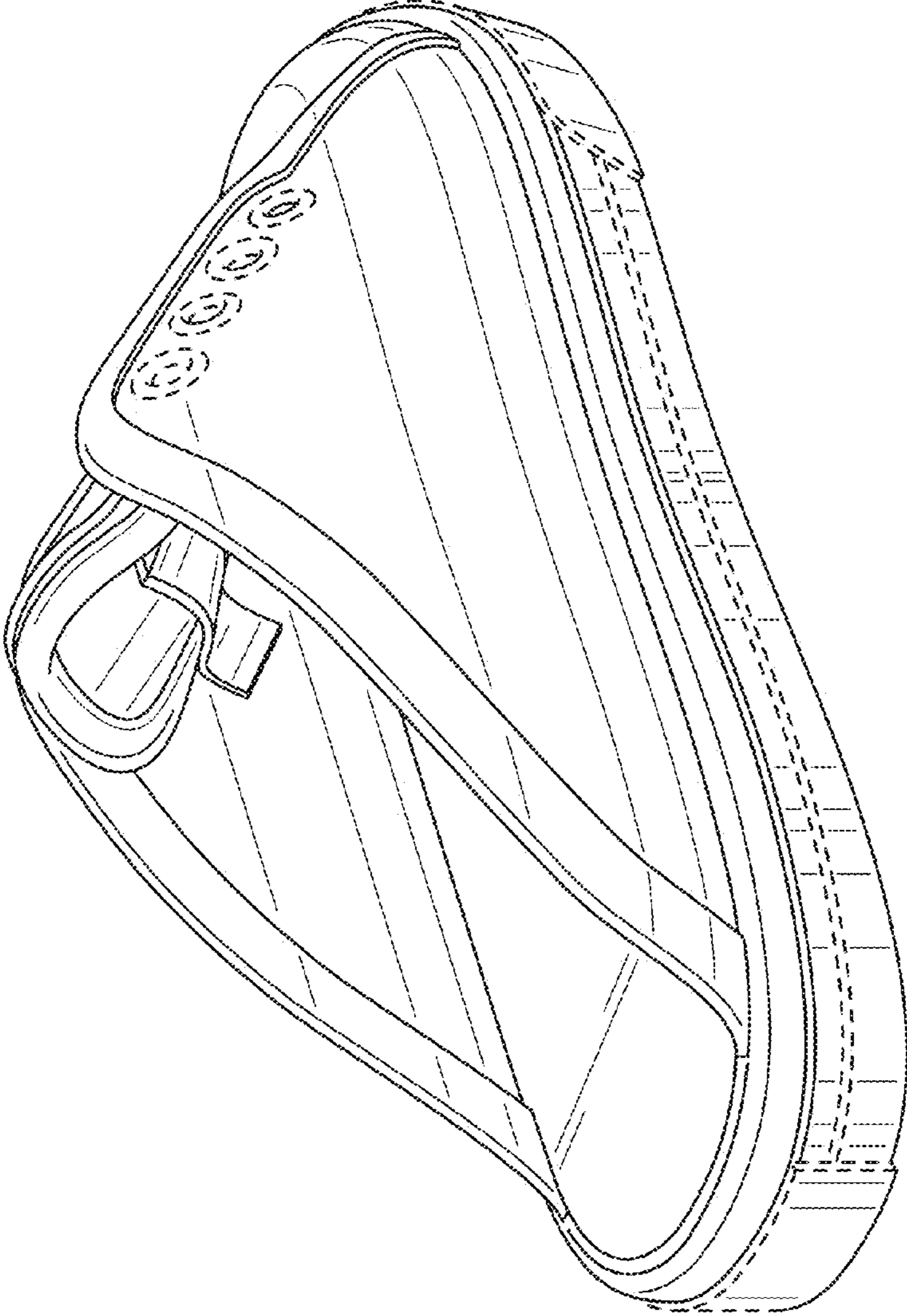


FIG. 2

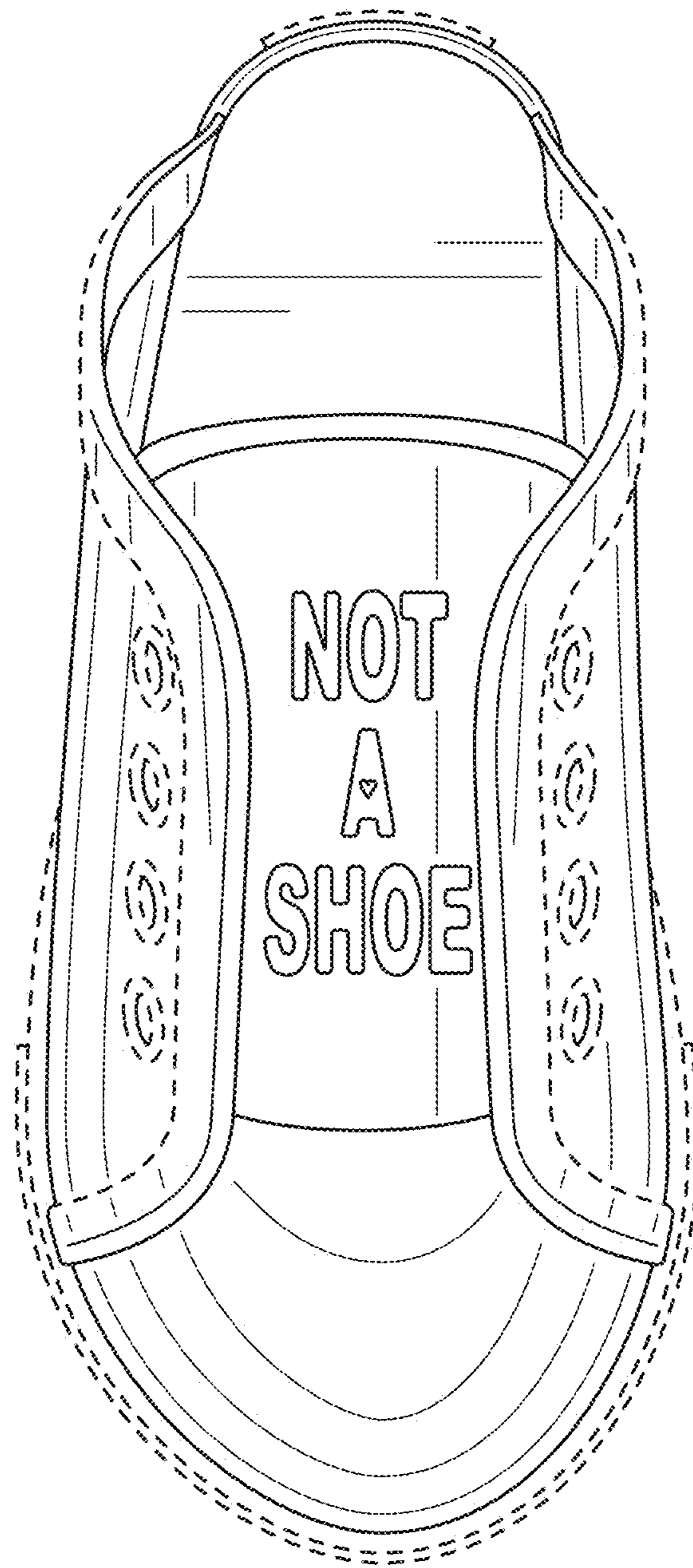


FIG. 3

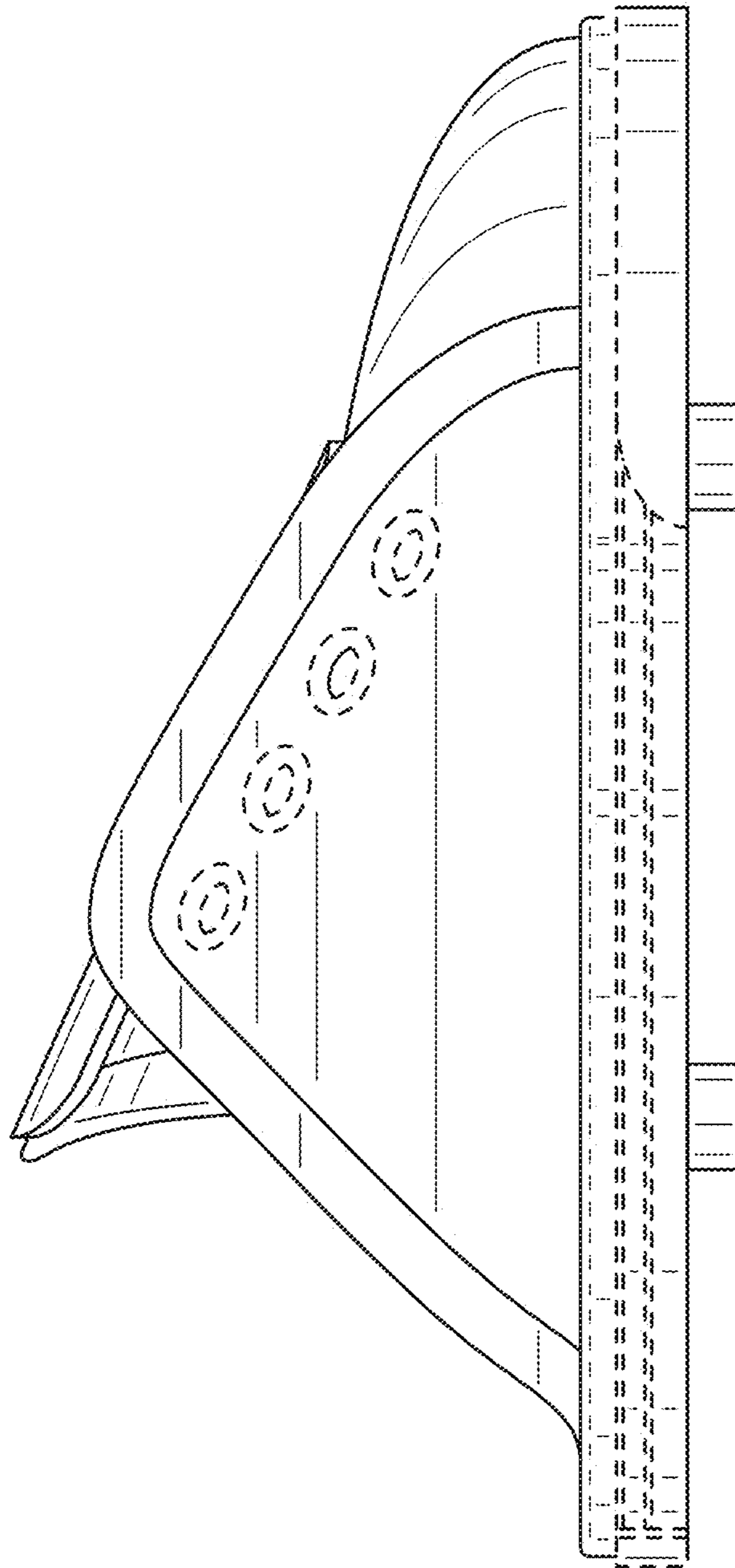


FIG. 4

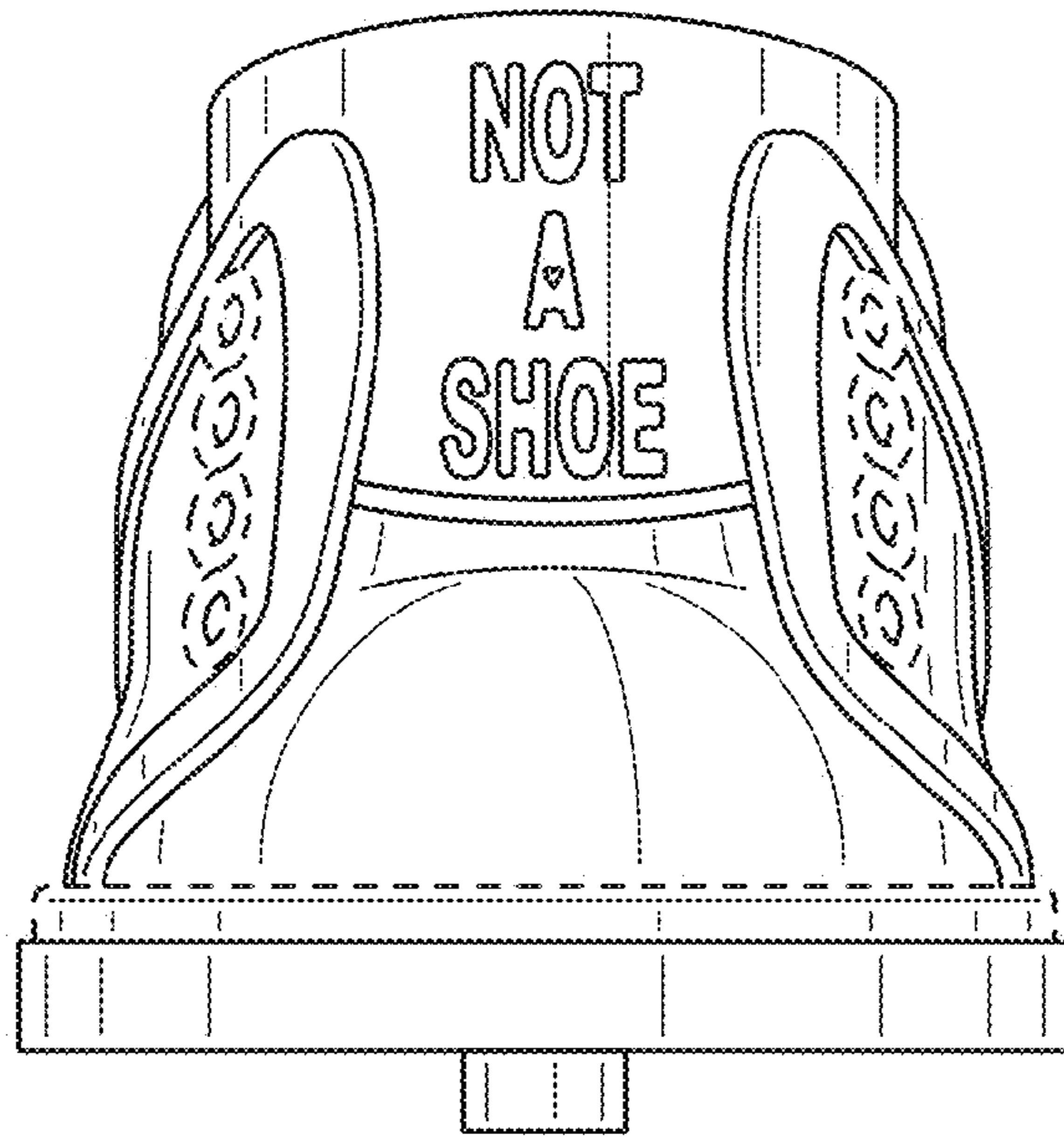


FIG. 5

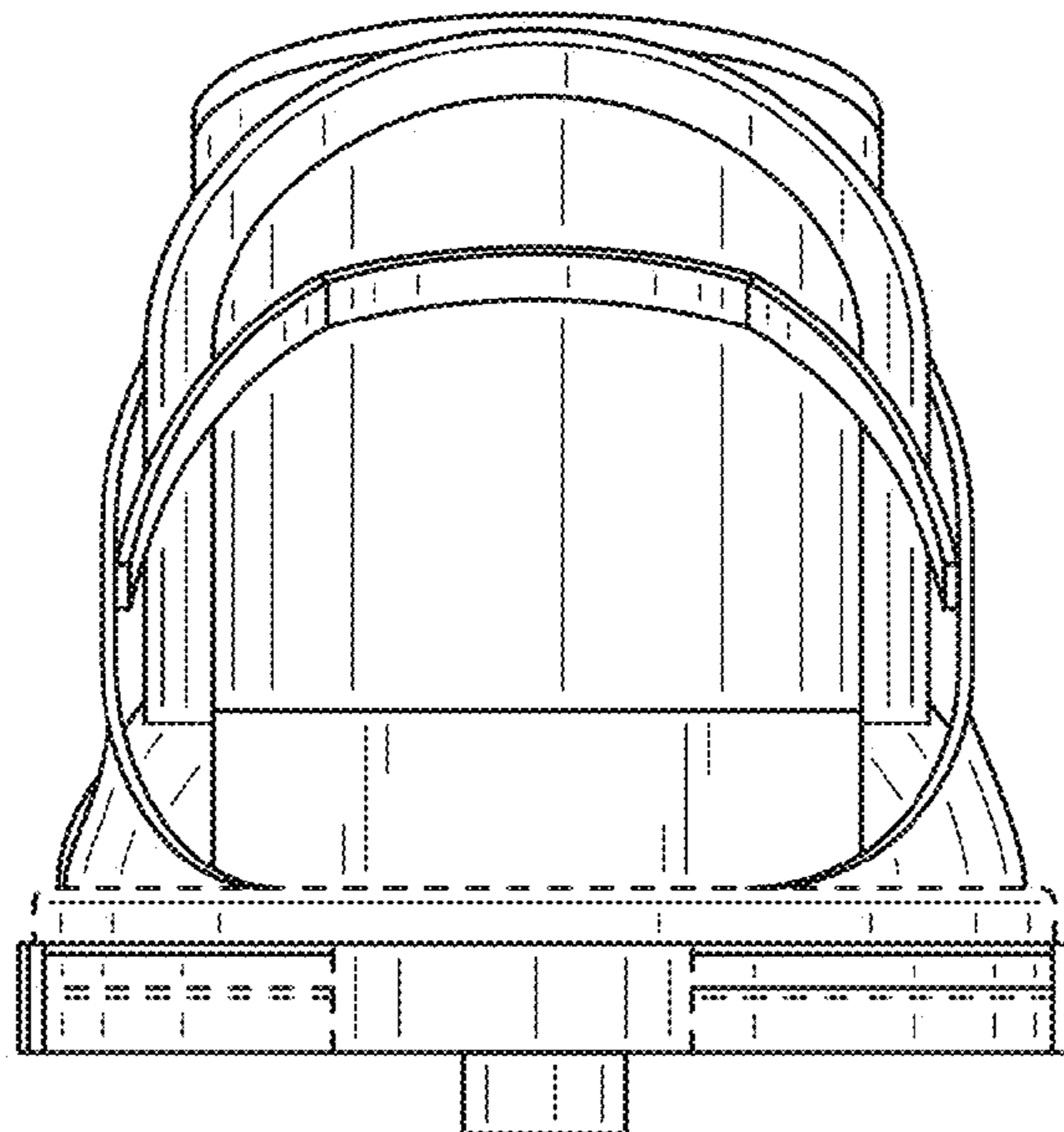


FIG. 6

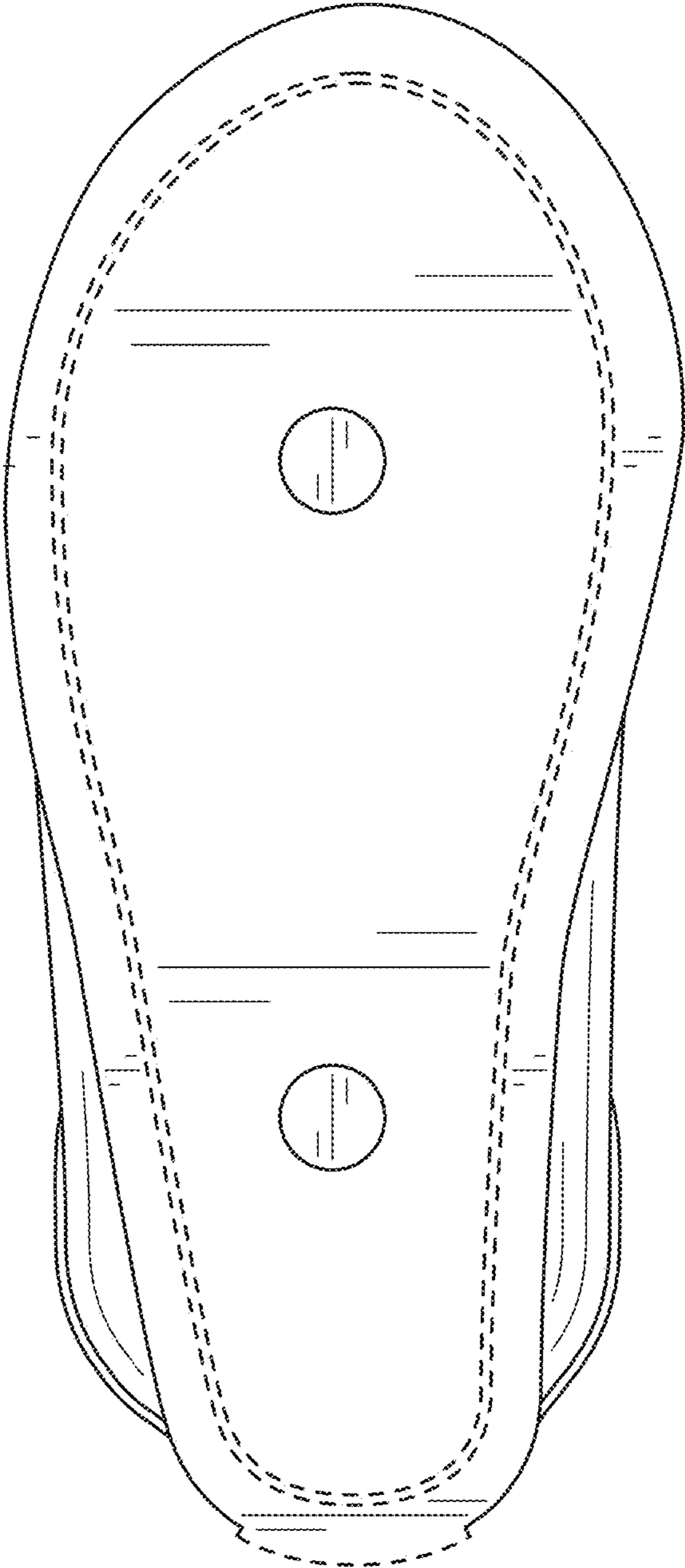


FIG. 7

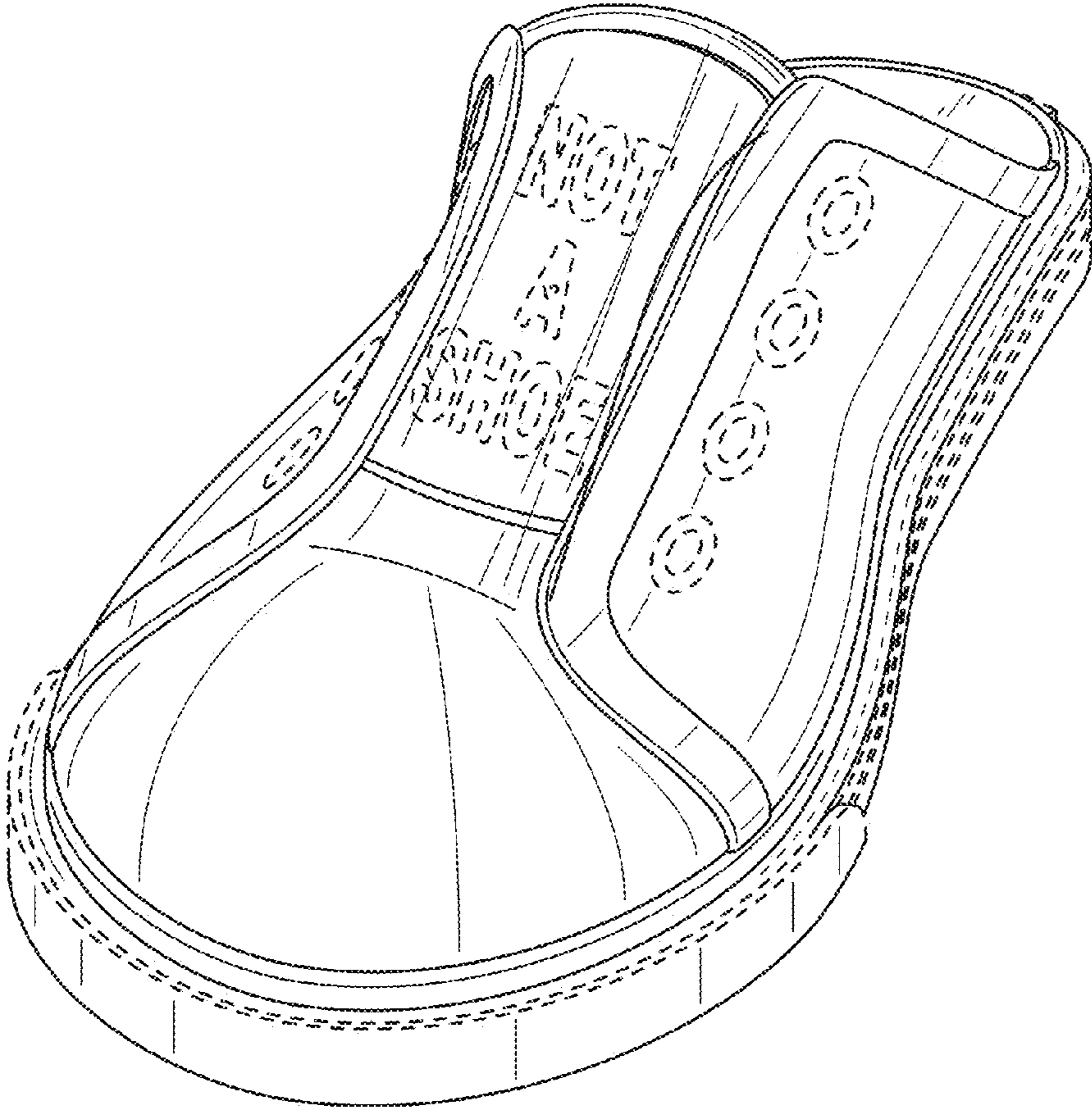


FIG. 8



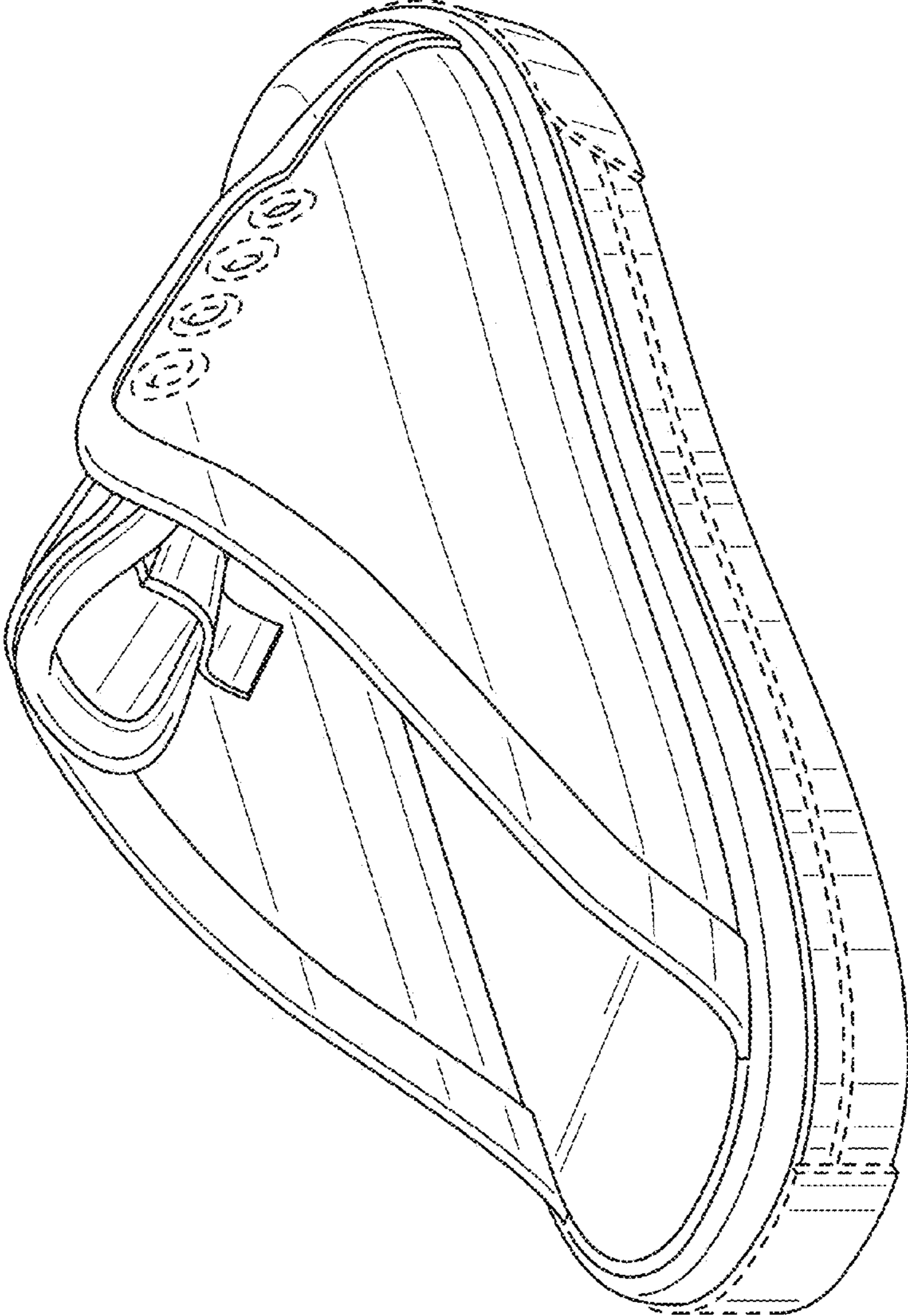


FIG. 9

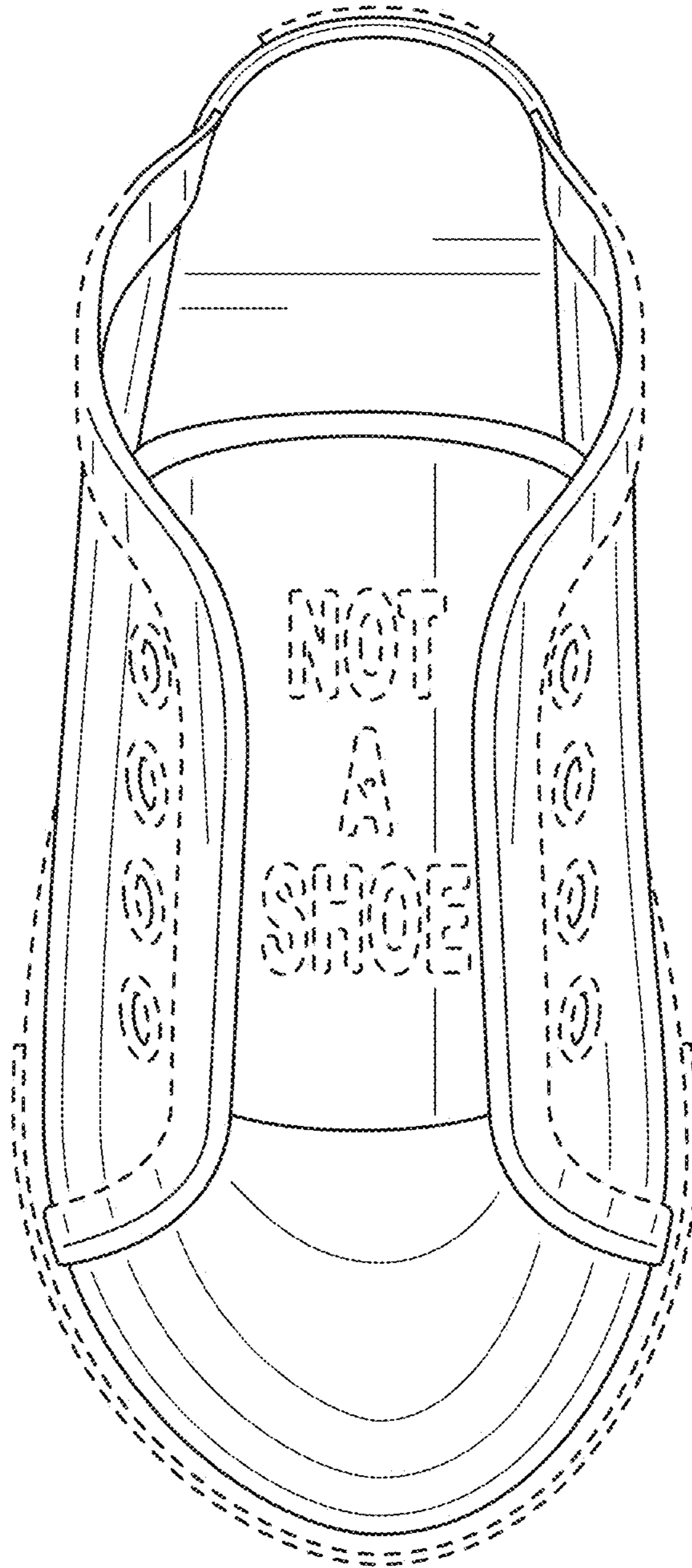


FIG. 10

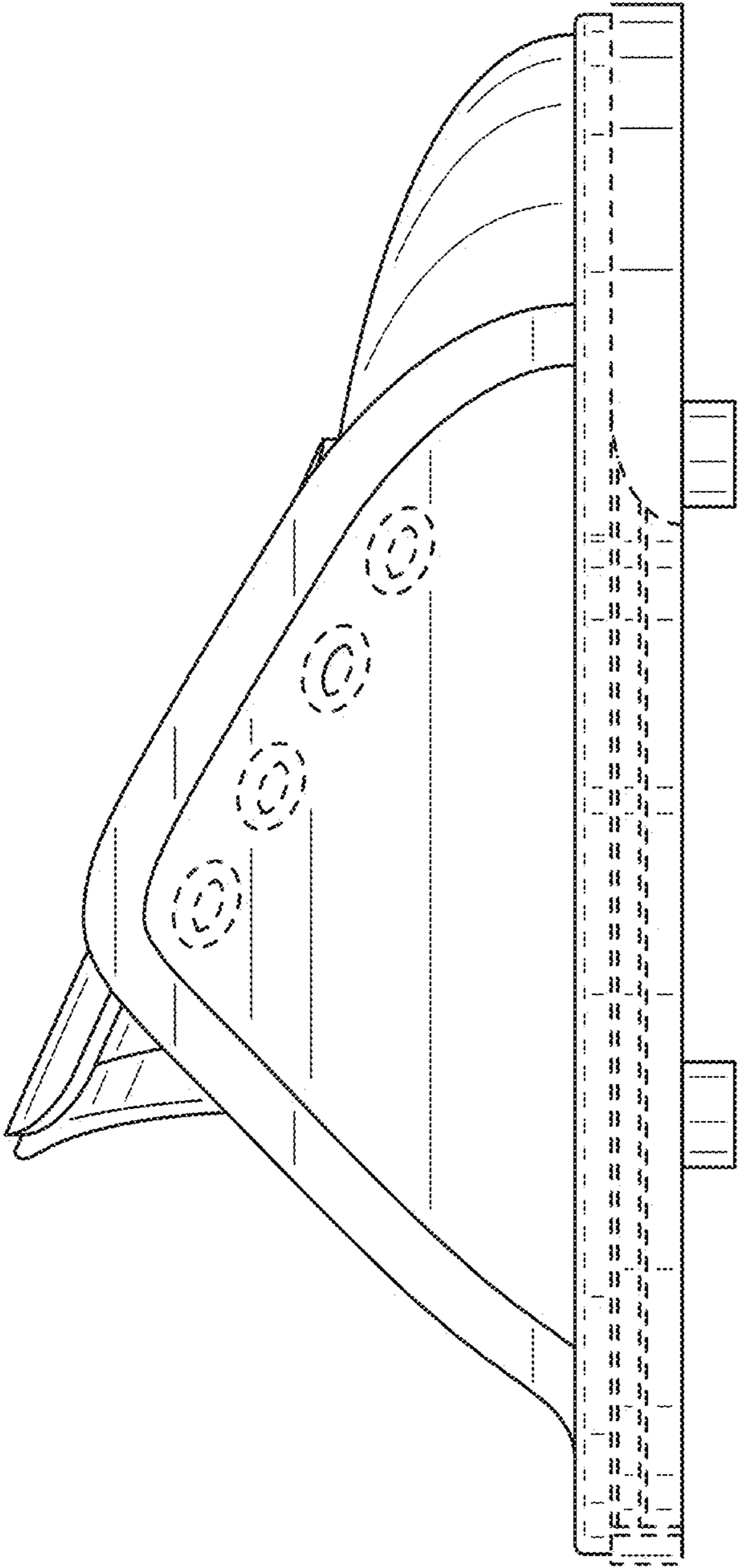


FIG. 11

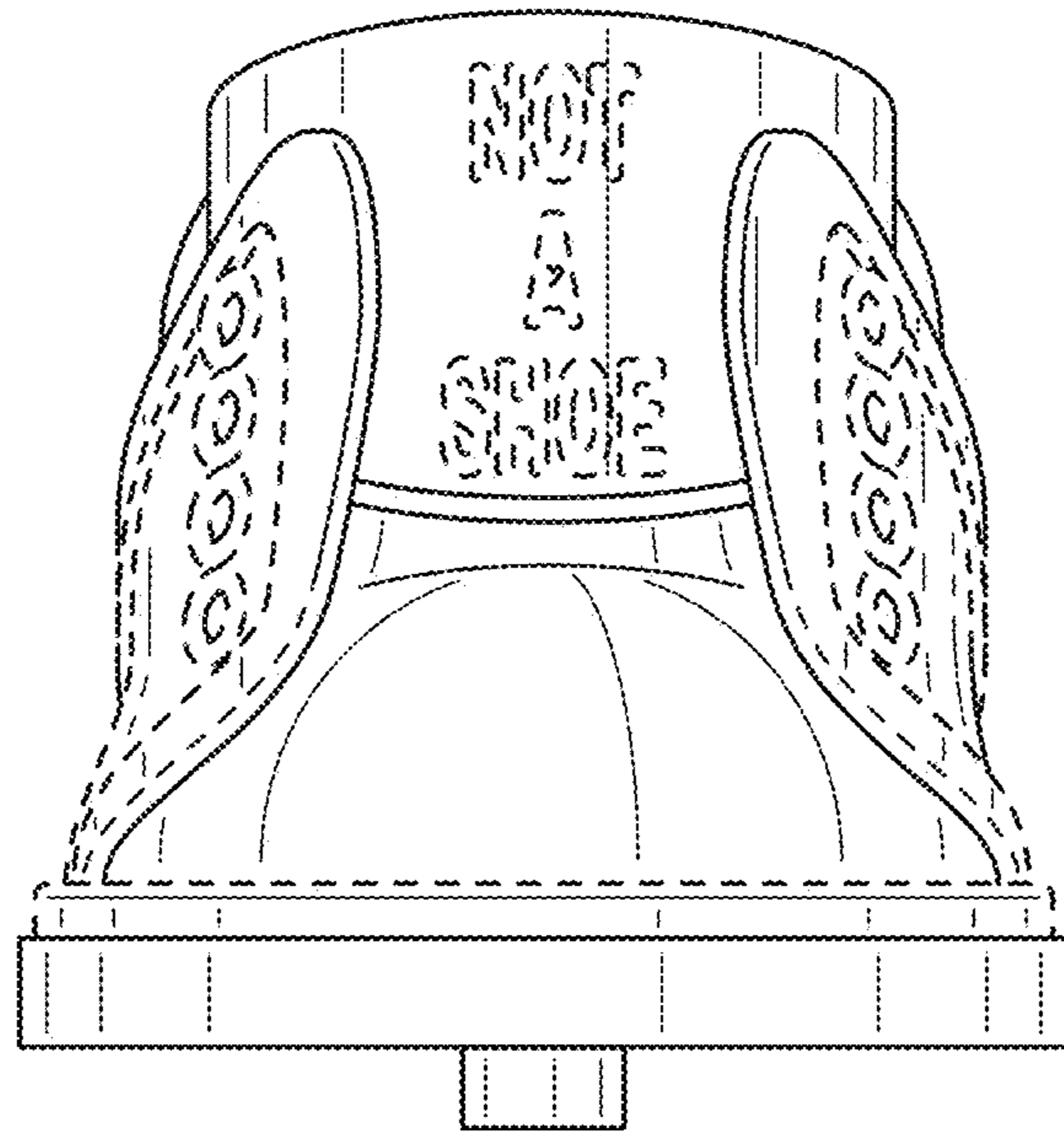


FIG. 12

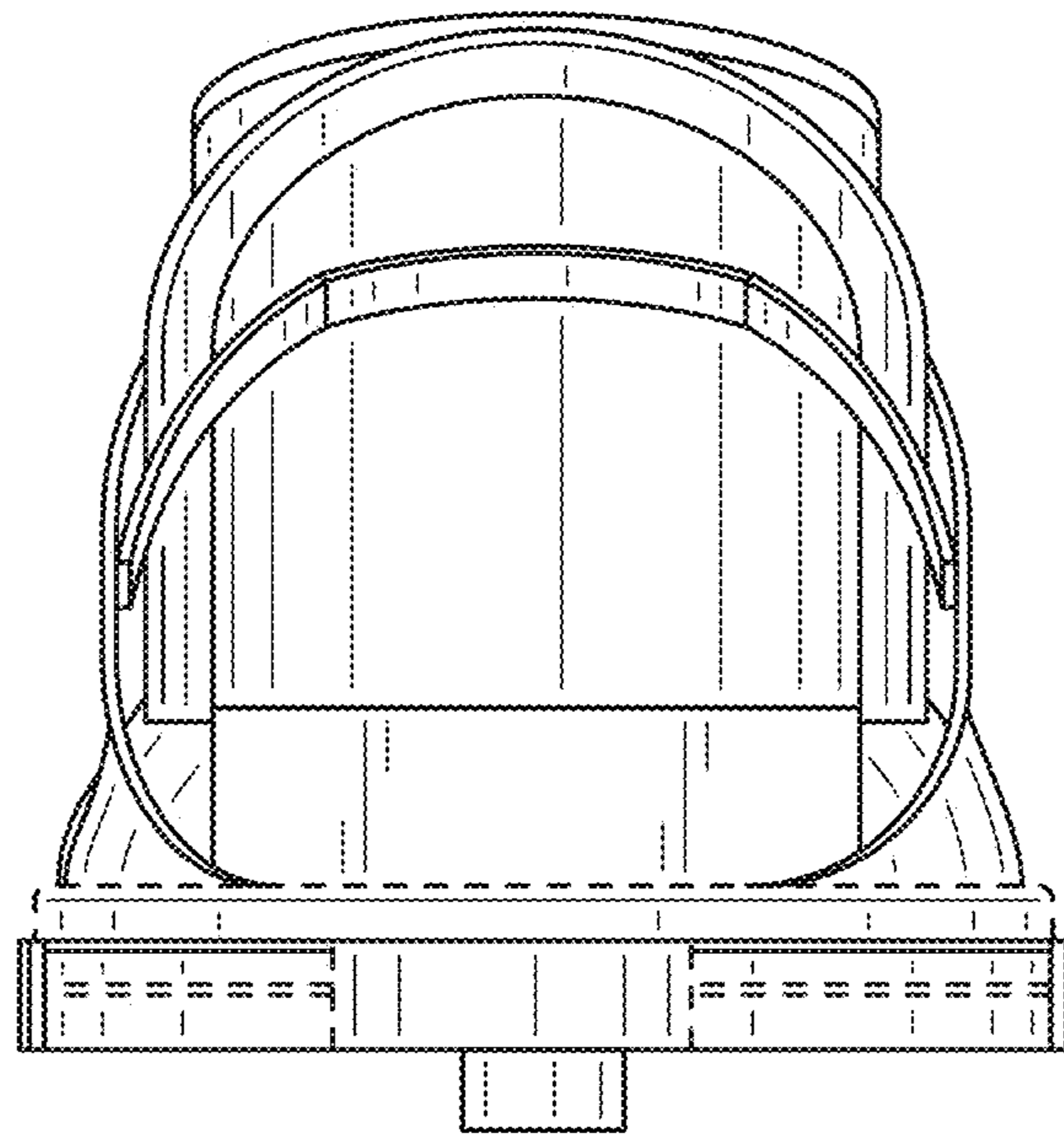


FIG. 13

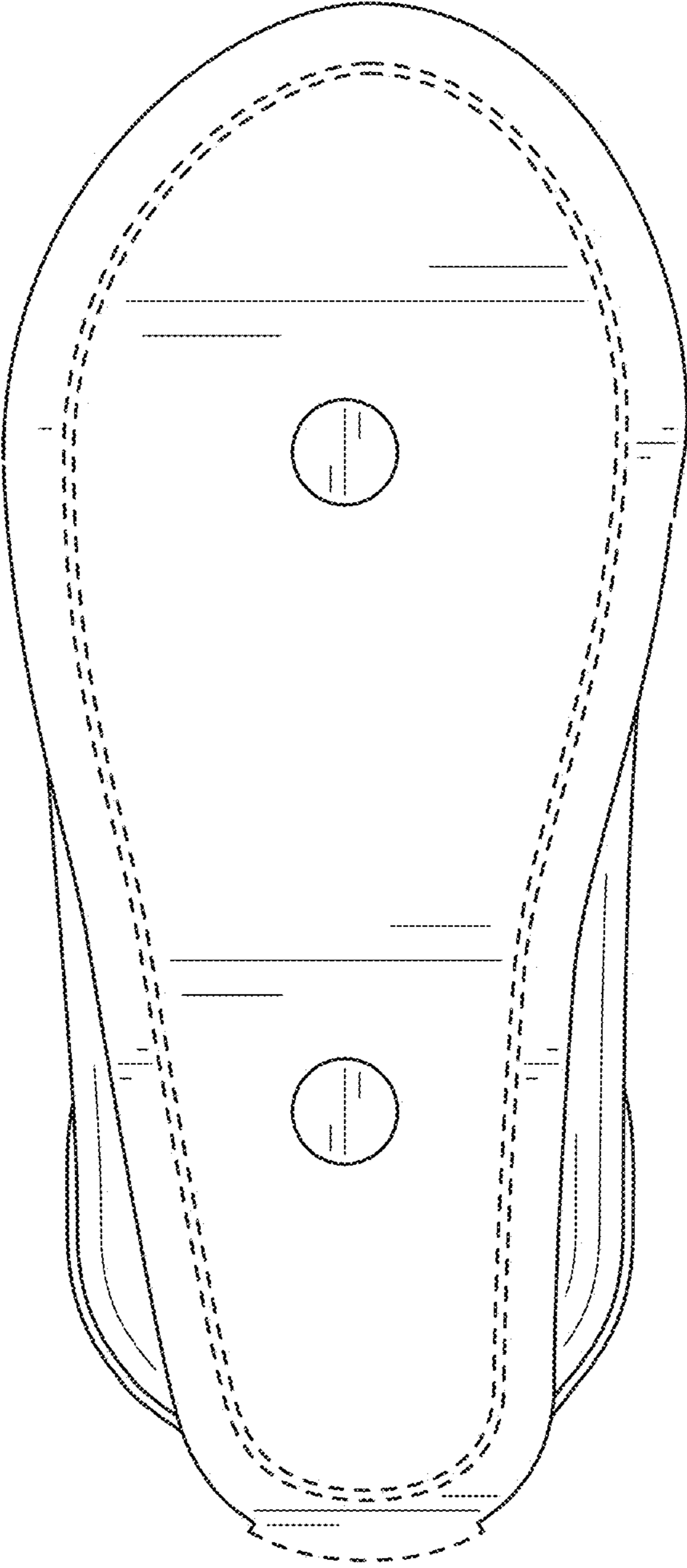


FIG. 14