



US00D696880S

(12) **United States Design Patent**
Garcia

(10) **Patent No.:** **US D696,880 S**
(45) **Date of Patent:** **** Jan. 7, 2014**

(54) **SUPPORT STAND FOR DECORATIONS,
VASES, CANDLES AND THE LIKE**

DESCRIPTION

(71) Applicant: **David Garcia**, Duluth, GA (US)
(72) Inventor: **David Garcia**, Duluth, GA (US)
(73) Assignee: **Garcia Group**, Atlanta, GA (US)
(**) Term: **14 Years**
(21) Appl. No.: **29/445,840**
(22) Filed: **Feb. 18, 2013**
(51) **LOC (10) Cl.** **06-06**
(52) **U.S. Cl.**
USPC **D6/677.5**
(58) **Field of Classification Search**
USPC D7/397, 388, 306-307, 313, 300;
D6/449, 455, 466, 485, 495, 677,
D6/677.1-677.2, 677.5; D9/455;
222/185.1, 183; 220/743, 491;
215/12.1, 398, 10
See application file for complete search history.

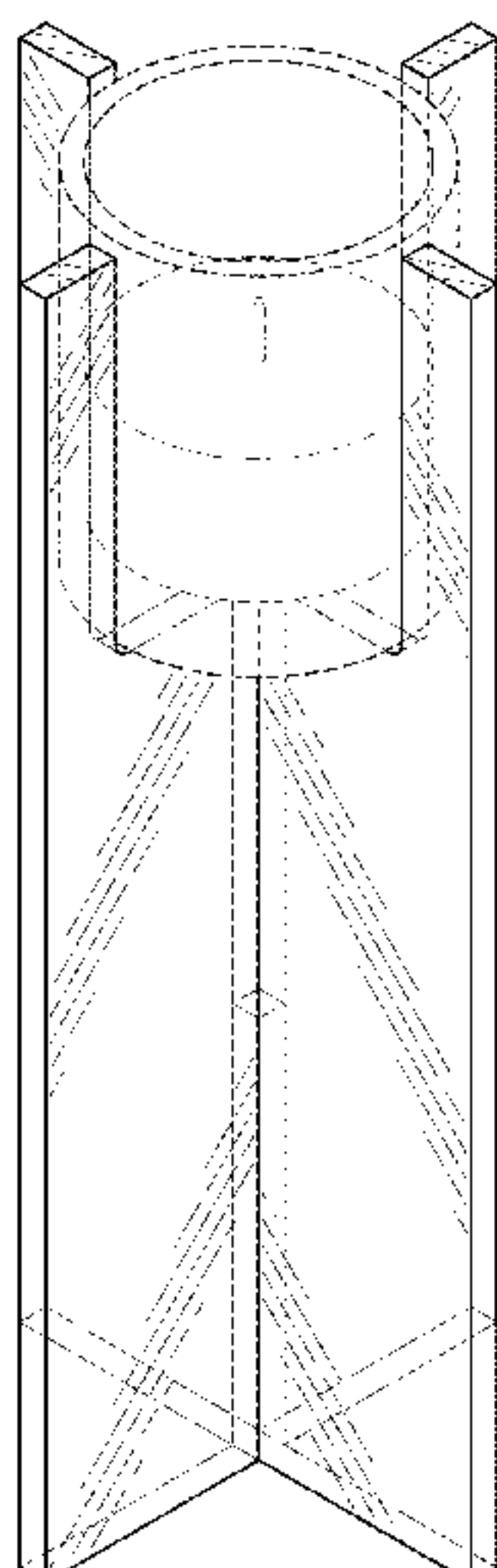
FIG. 1 is a perspective view of a first embodiment of the support stand for decorations, vases, candles, and the like; FIG. 2 is a left side view of the support stand of FIG. 1, the right side view being a mirror image thereof. FIG. 3 is a front view of the support stand of FIG. 1, the rear view being a mirror image thereof. FIG. 4 is a plan view of the support stand of FIG. 1. FIG. 5 is a bottom view of the support stand of FIG. 1. FIG. 6 is a perspective view of a second embodiment of the support stand for decorations, vases, candles, and the like; FIG. 7 is a left side view of the support stand of FIG. 6, the right side view being a mirror image thereof. FIG. 8 is a front view of the support stand of FIG. 6, the rear view being a mirror image thereof. FIG. 9 is a plan view of the support stand of FIG. 6. FIG. 10 is a bottom view of the support stand of FIG. 6. FIG. 11 is a perspective view of a third embodiment of the support stand for decorations, vases, candles, and the like; FIG. 12 is a left side view of the support stand of FIG. 11, the right side view being a mirror image thereof. FIG. 13 is a front view of the support stand of FIG. 11, the rear view being a mirror image thereof. FIG. 14 is a plan view of the support stand of FIG. 11. FIG. 15 is a bottom view of the support stand of FIG. 11. FIG. 16 is a perspective view of a fourth embodiment of the support stand for decorations, vases, candles, and the like; FIG. 17 is a left side view of the support stand of FIG. 16, the right side view being a mirror image thereof. FIG. 18 is a front view of the support stand of FIG. 16, the rear view being a mirror image thereof. FIG. 19 is a plan view of the support stand of FIG. 16; and, FIG. 20 is a bottom view of the support stand of FIG. 16. The broken lines of FIGS. 1-20 are for illustrative purposes only and form no part of the claimed design.

(56) **References Cited**
U.S. PATENT DOCUMENTS
1,050,113 A 1/1913 Eichelkraut
1,118,203 A 11/1914 Holt

(Continued)
Primary Examiner — Kelley Donnelly
(74) *Attorney, Agent, or Firm* — Gardner Groff Greenwald & Villanueva, PC

(57) **CLAIM**
The ornamental design for a support stand for decorations, vases, candles, and the like, as shown and described.

1 Claim, 16 Drawing Sheets



(56)

References Cited

U.S. PATENT DOCUMENTS

D73,955 S *	11/1927	Barney	D15/141	5,366,189 A	11/1994	Thompson	
1,738,276 A	12/1929	Barney			D378,301 S *	3/1997	Leksell D20/10
2,000,915 A	5/1935	Blake			5,743,504 A	4/1998	Miller	
2,107,178 A	2/1938	Fackler			D401,784 S *	12/1998	Marshall D6/449
D192,189 S *	2/1962	McMasters	D8/358	D404,591 S *	1/1999	Haserjian D6/458
3,139,986 A *	7/1964	Strock	211/59.1	D452,414 S *	12/2001	Miller D7/397
D200,713 S *	3/1965	Pearsall	D6/498	D541,564 S *	5/2007	Snell D6/520
D204,389 S *	4/1966	Rhame	D6/466	D562,030 S *	2/2008	Parikh D6/458
4,358,958 A	11/1982	Wehrenberg			D571,409 S *	6/2008	Frey D20/10
5,197,169 A	3/1993	Gordon			D625,570 S *	10/2010	Melocchi D7/704
D335,983 S *	6/1993	Gutgsell	D6/495	D671,351 S *	11/2012	van der Vorst D6/581
					D671,352 S *	11/2012	van der Vorst D6/581
					D675,269 S *	1/2013	Cardarelli D21/717
					D686,852 S *	7/2013	Lalo D6/675.4

* cited by examiner

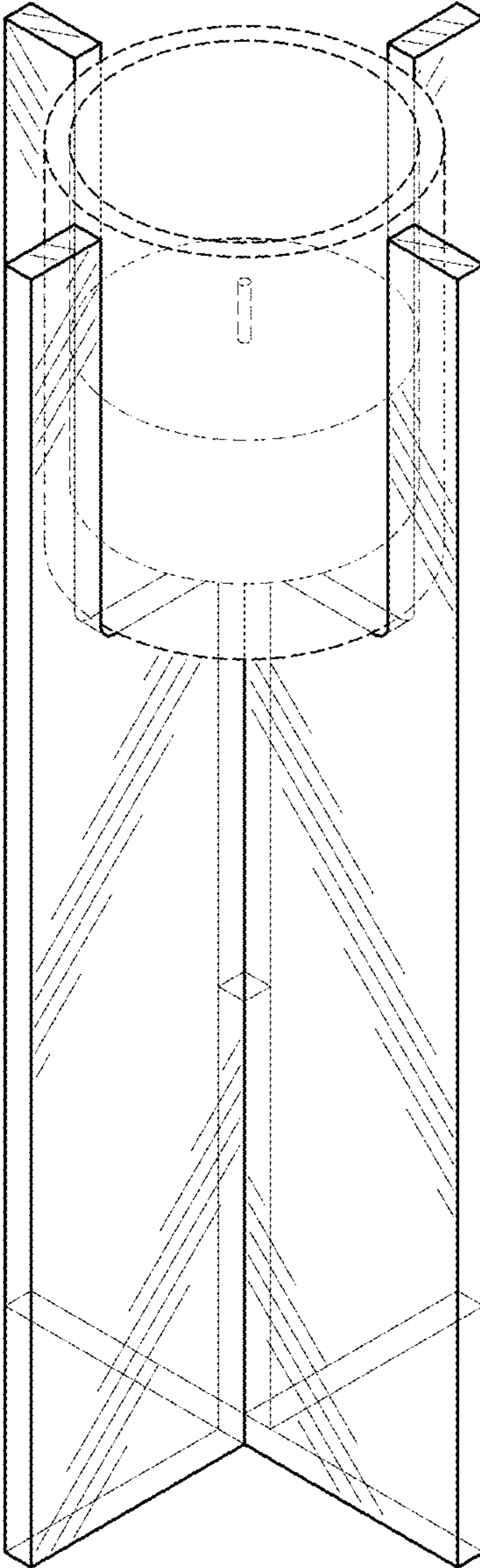


FIG. 1

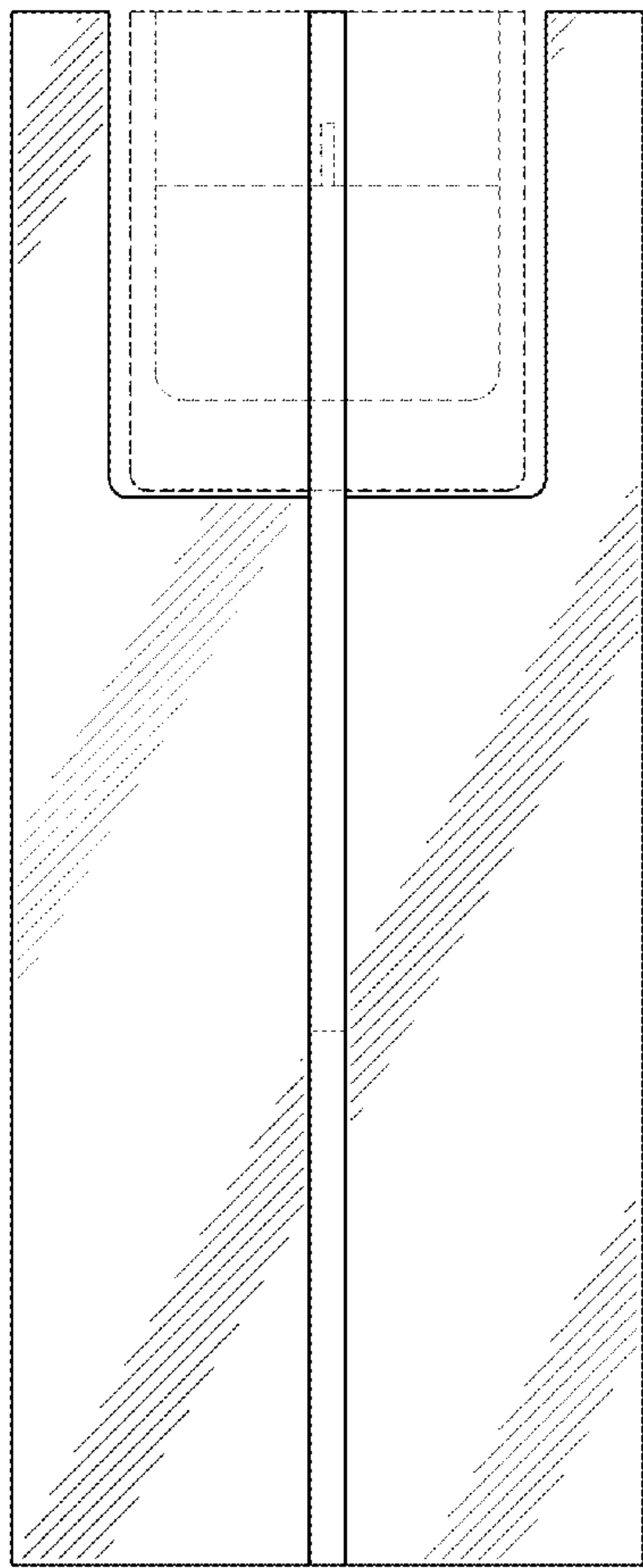


FIG. 2

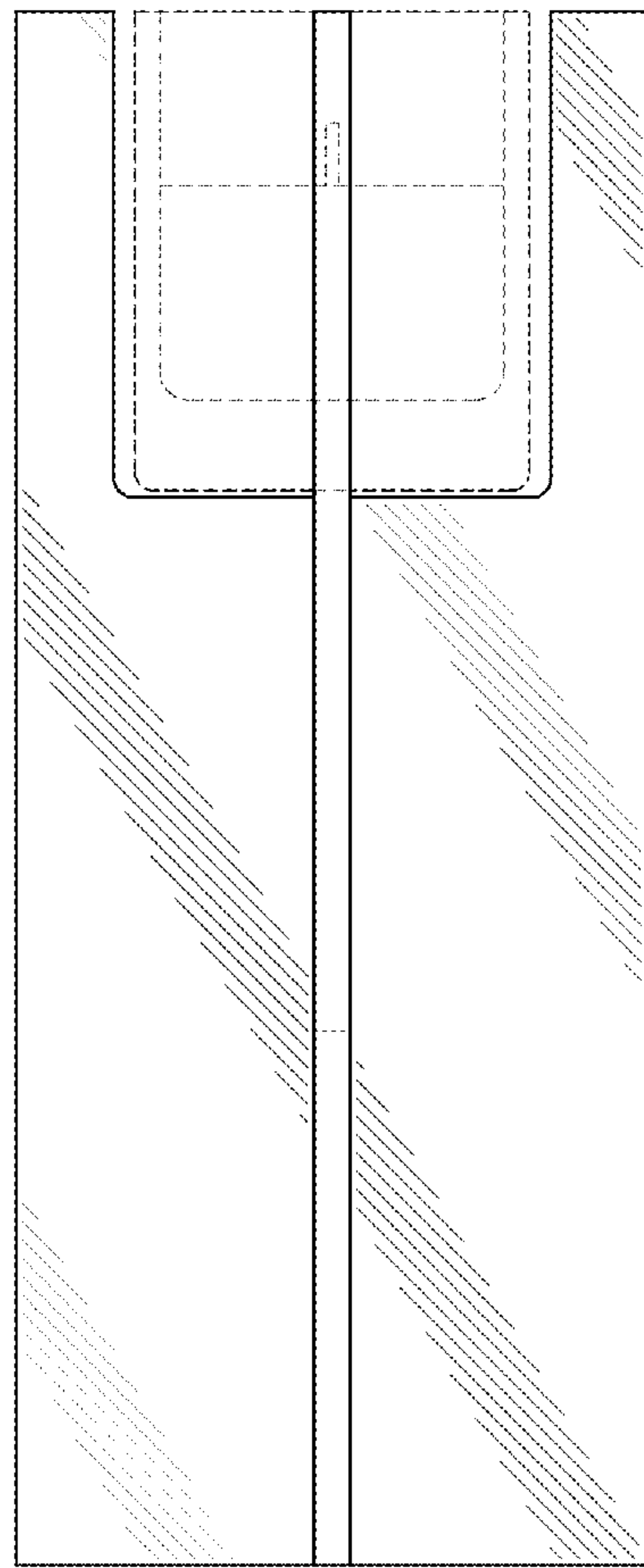


FIG. 3

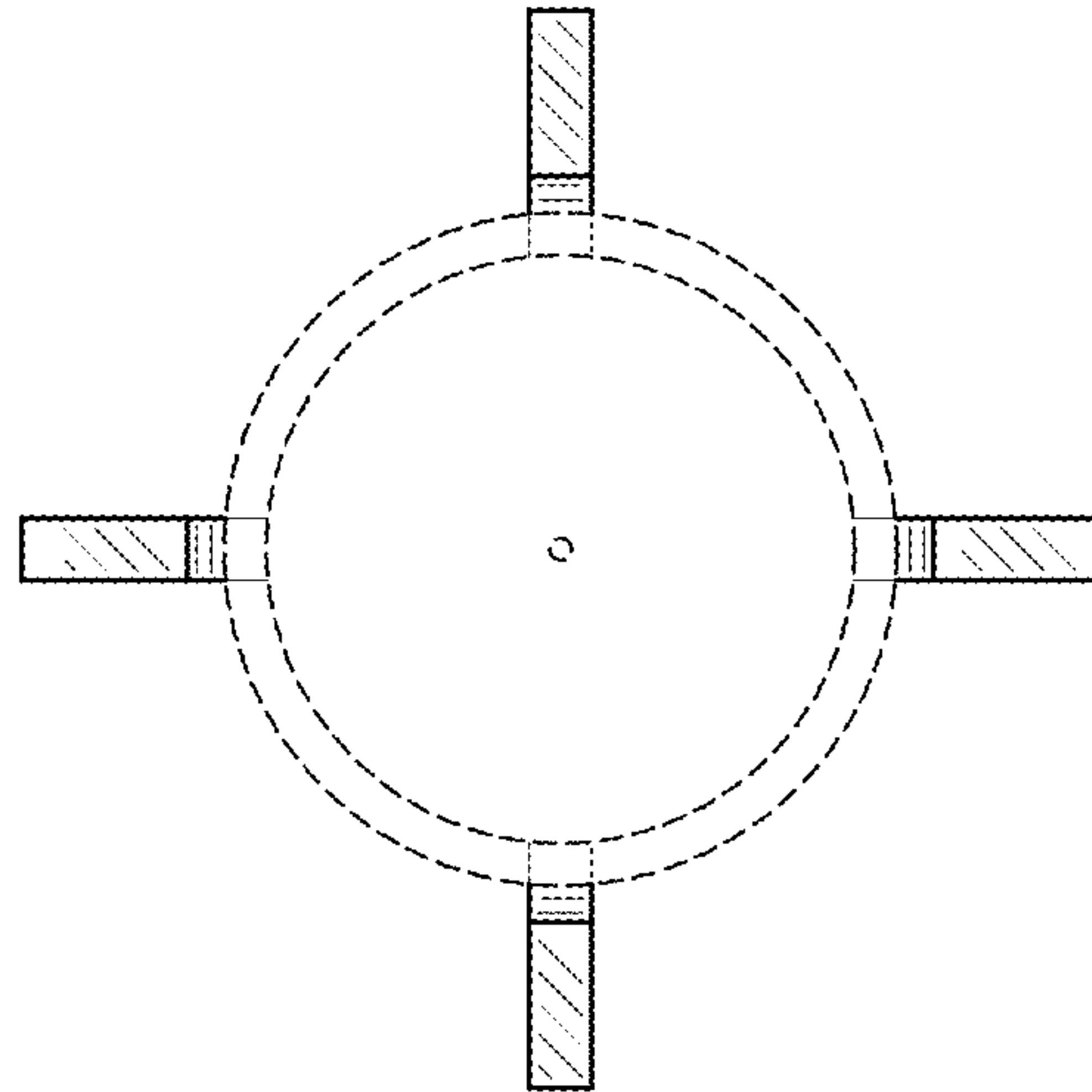


FIG. 4

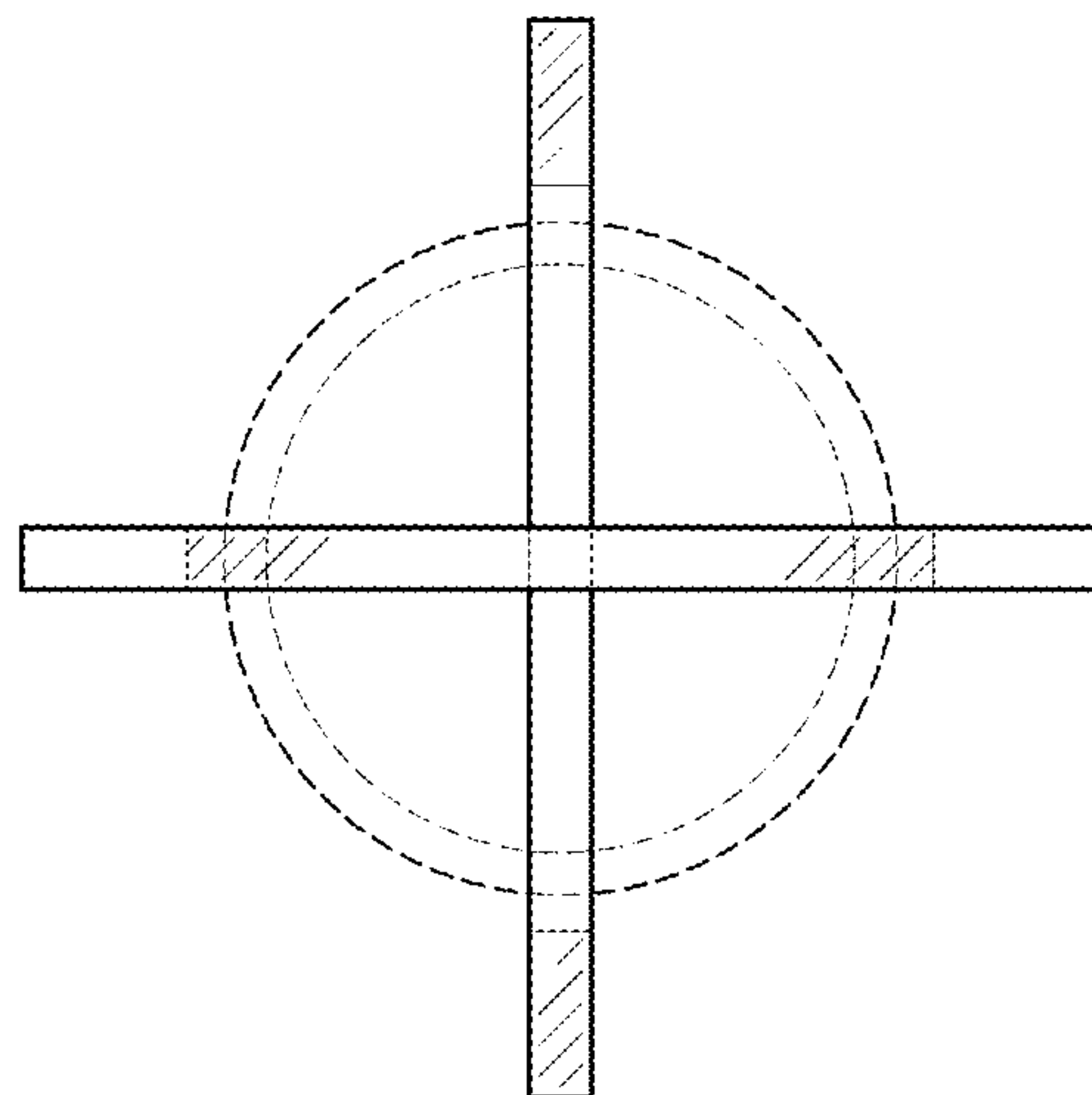


FIG. 5

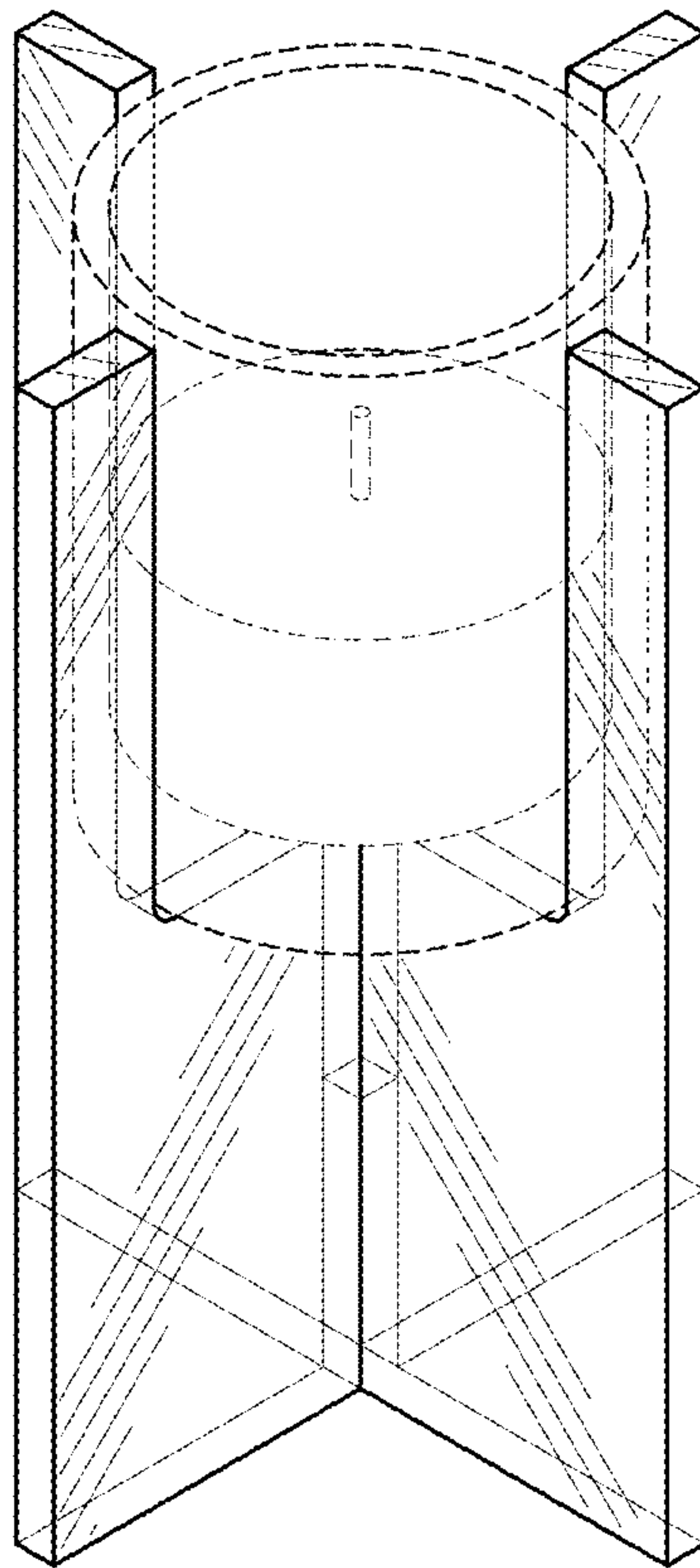


FIG. 6

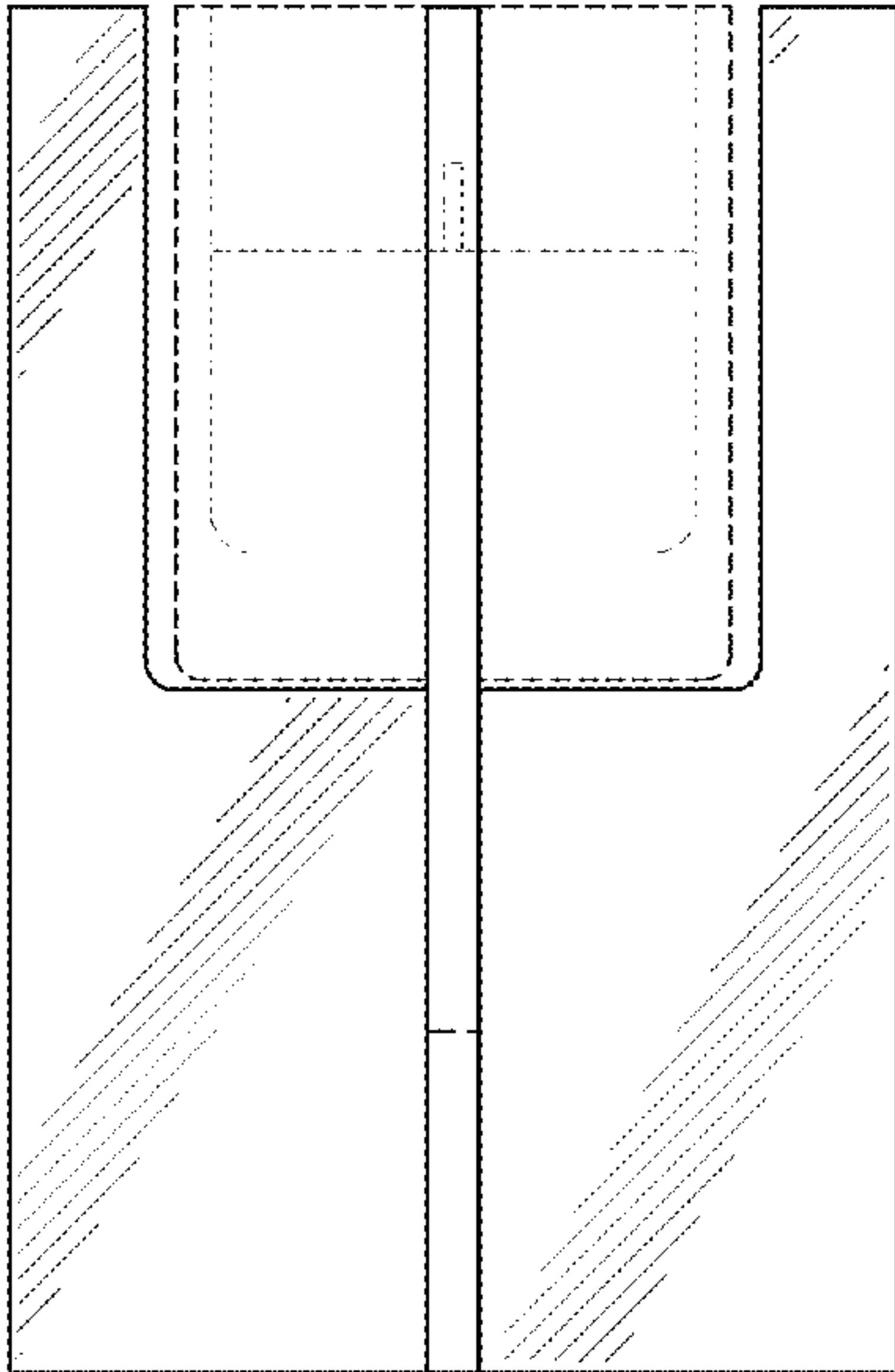


FIG. 7

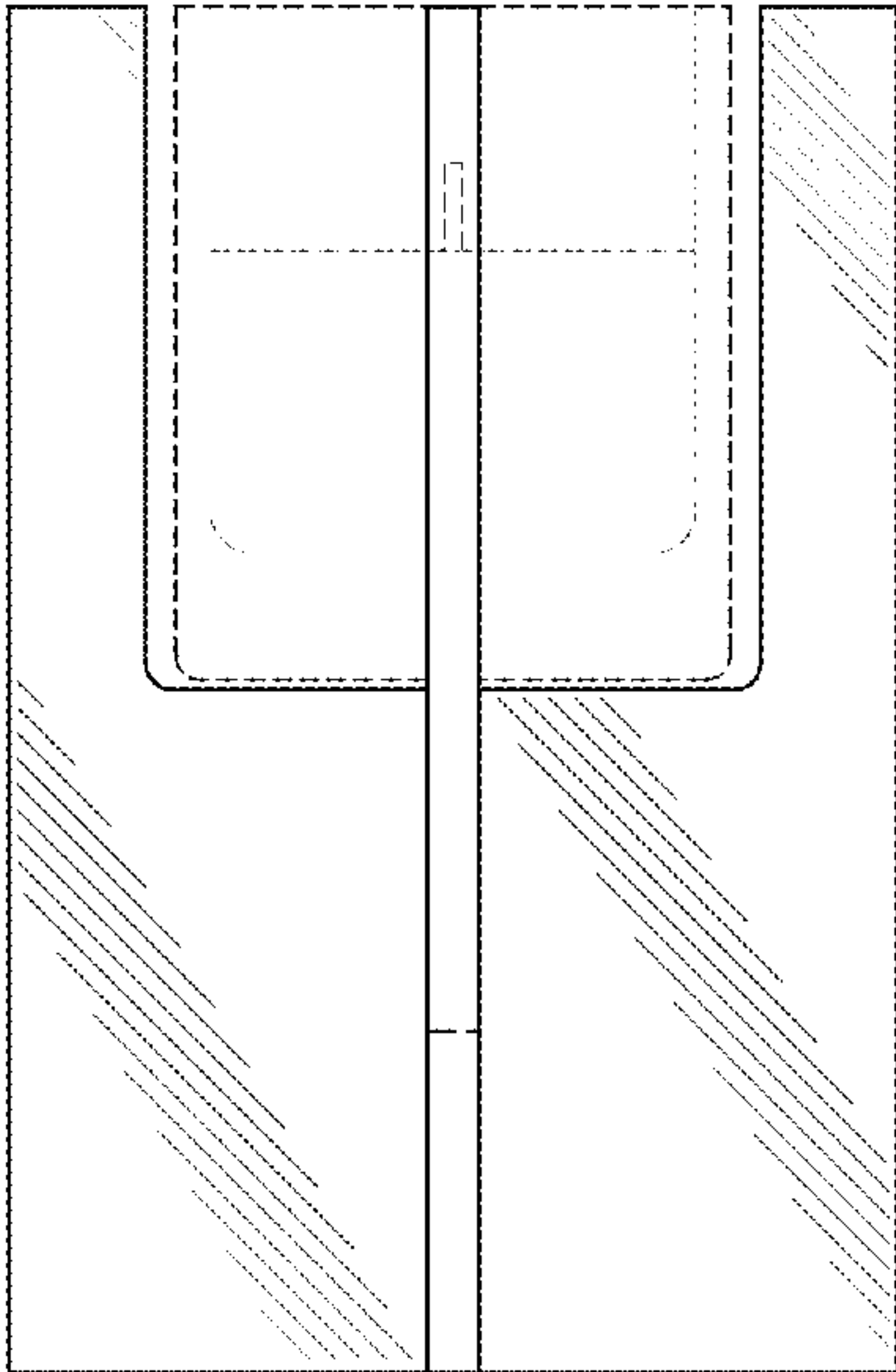


FIG. 8

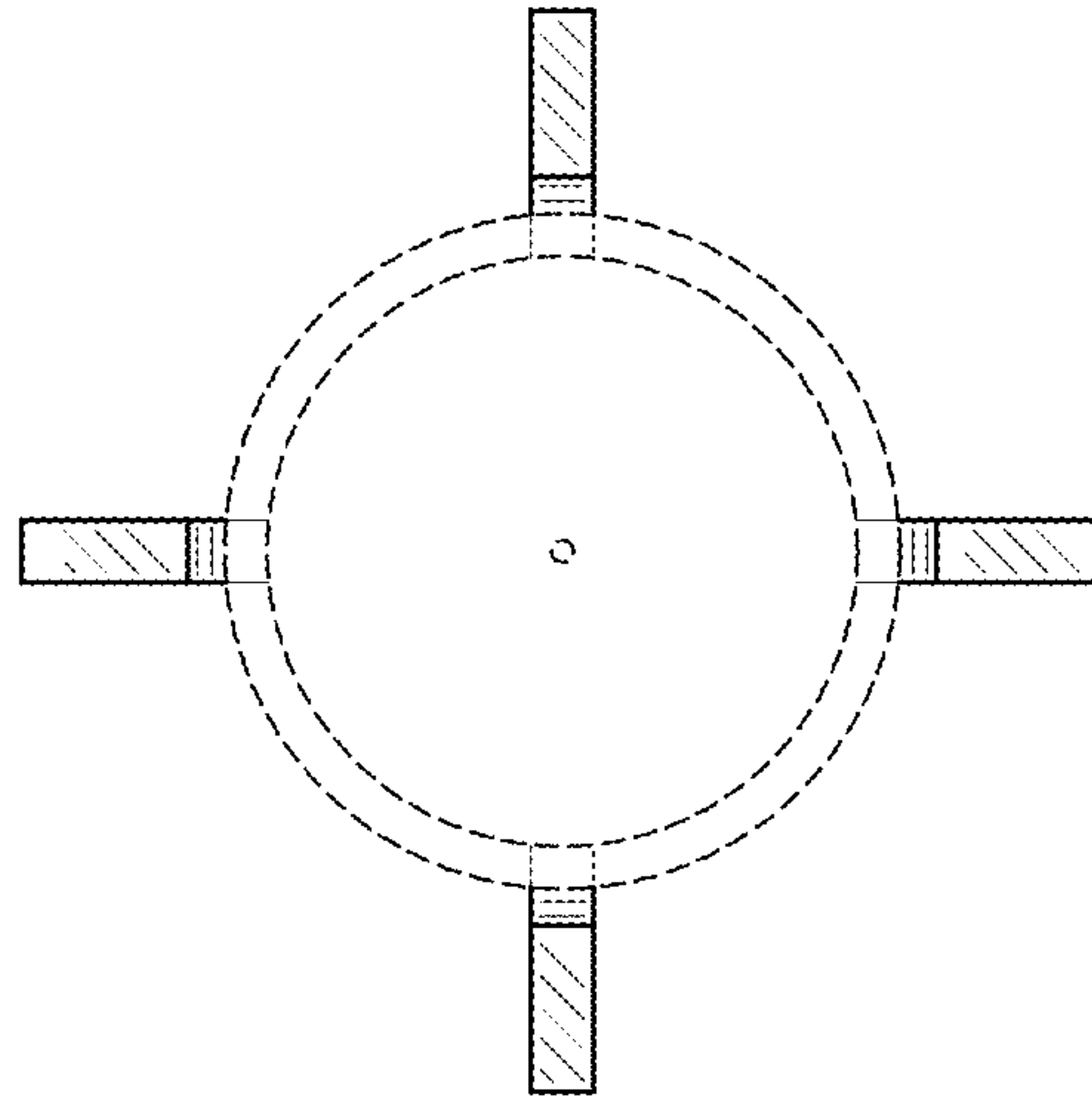


FIG. 9

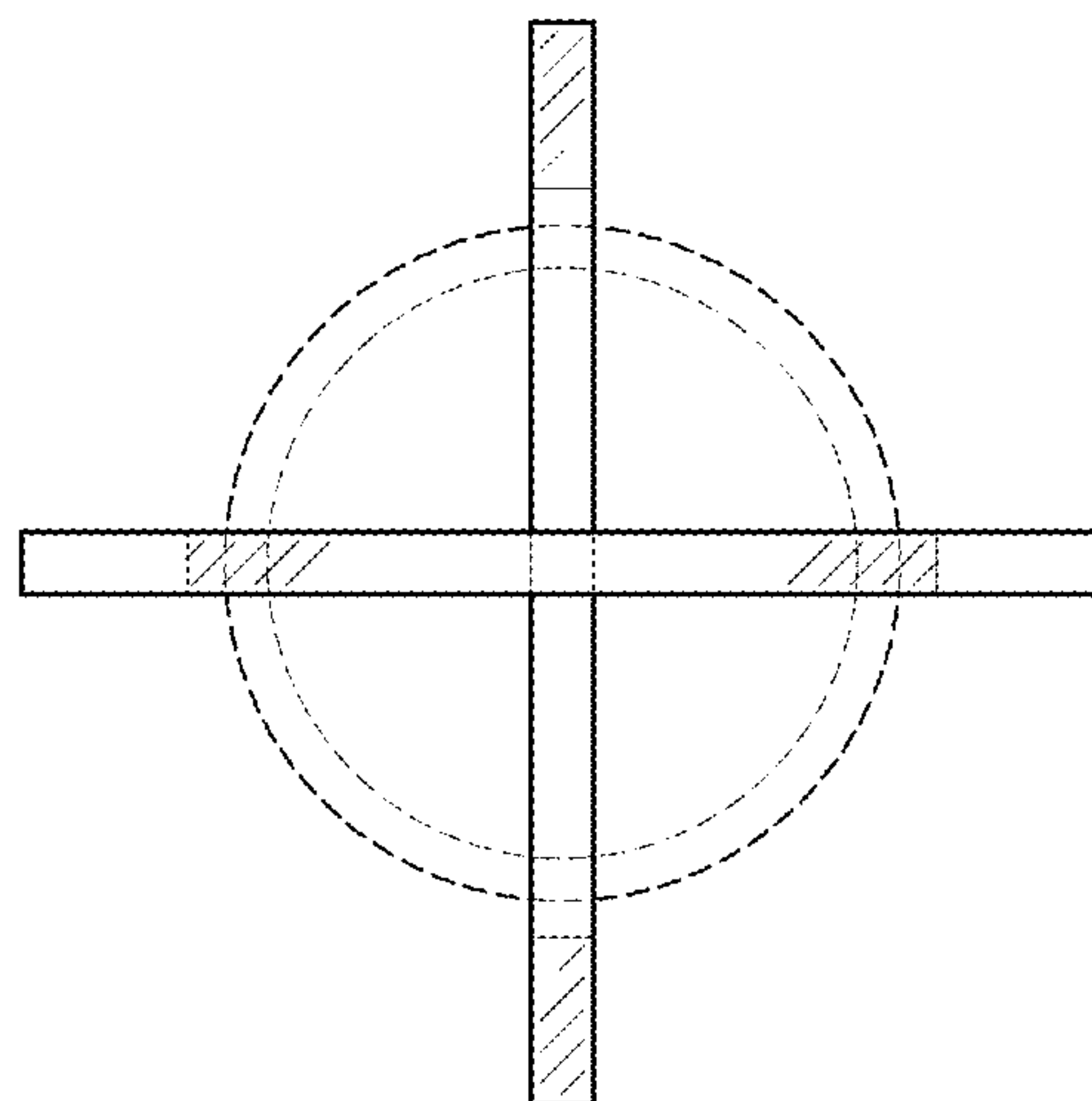


FIG. 10

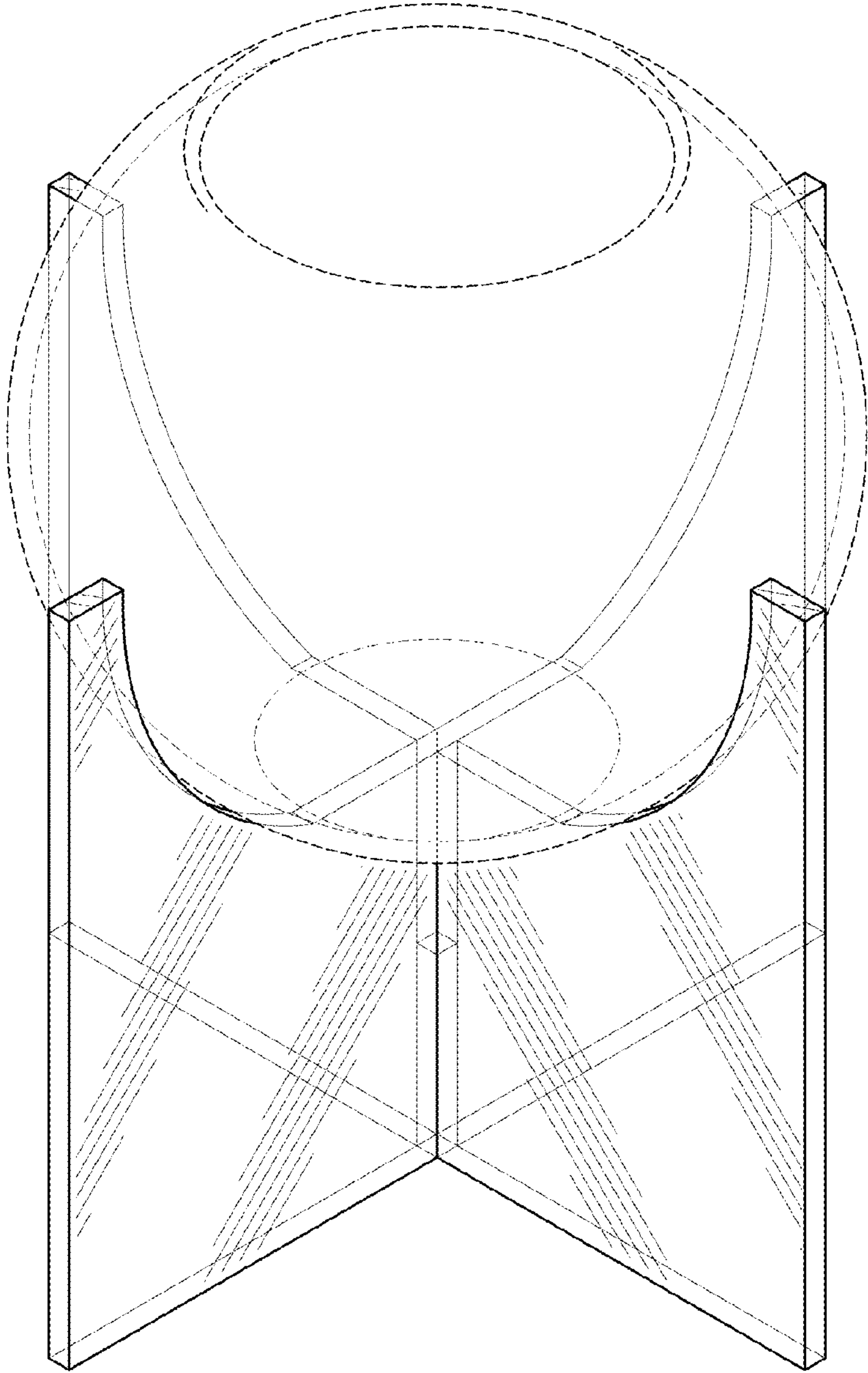


FIG. 11

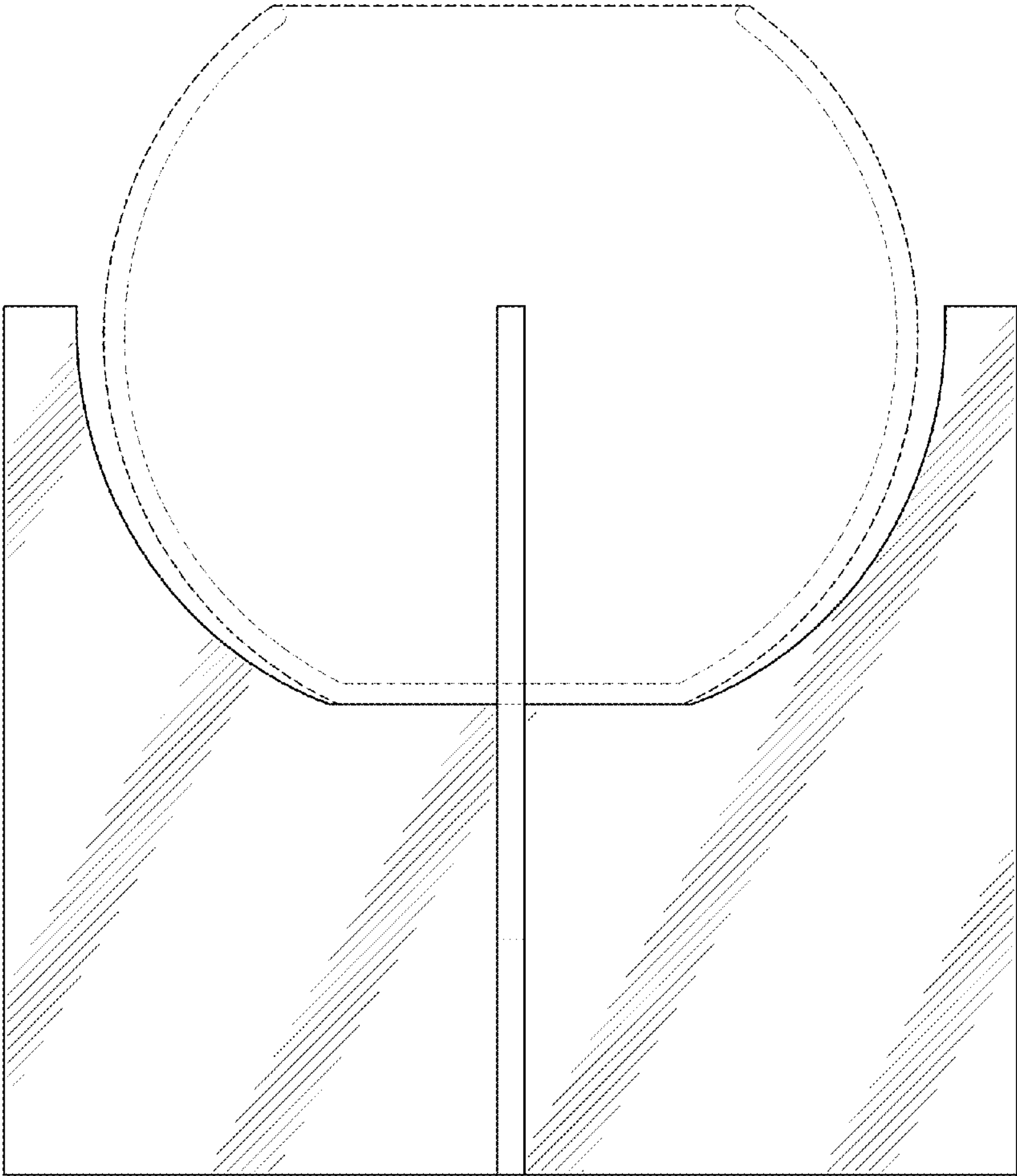


FIG. 12

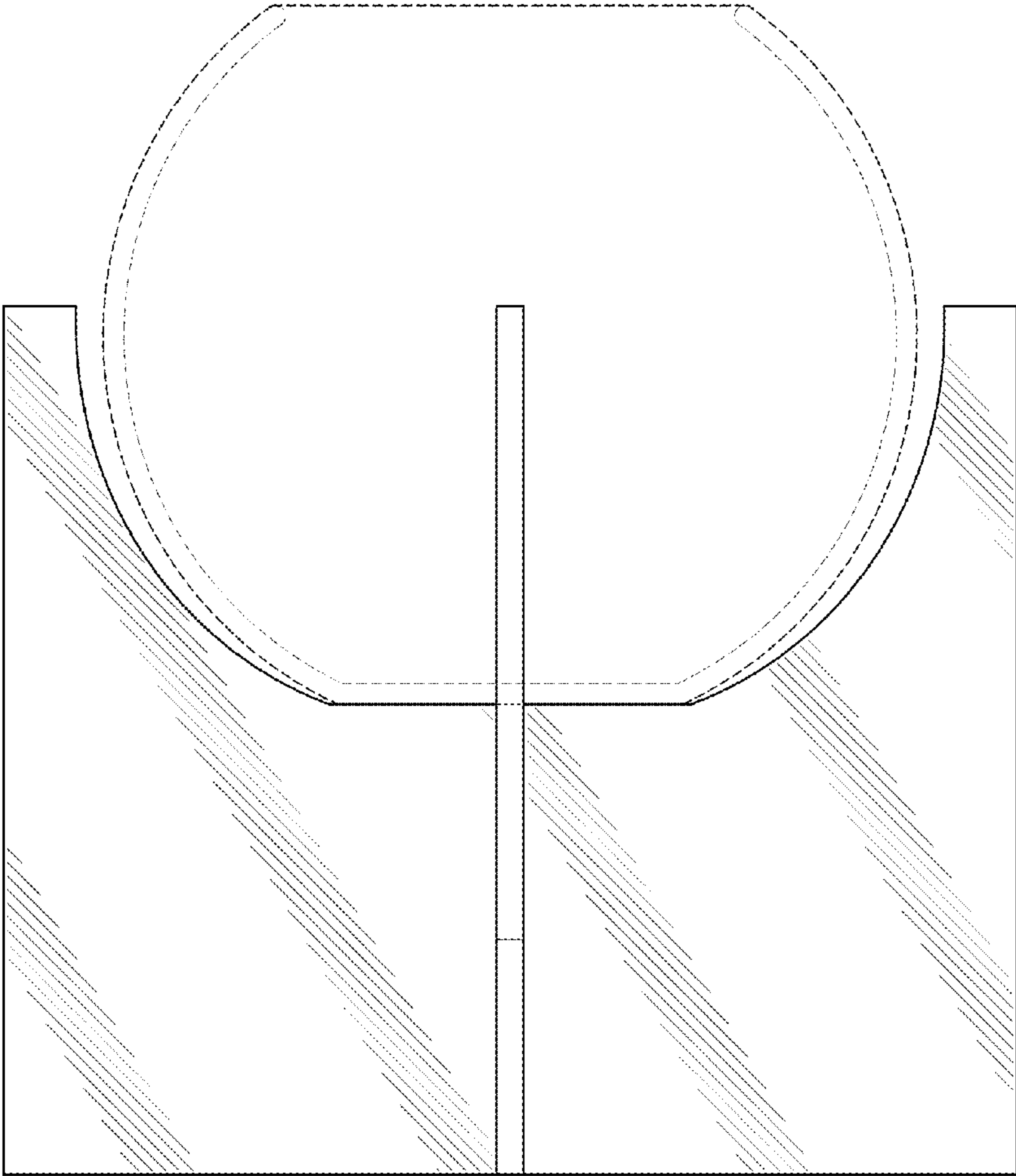


FIG. 13

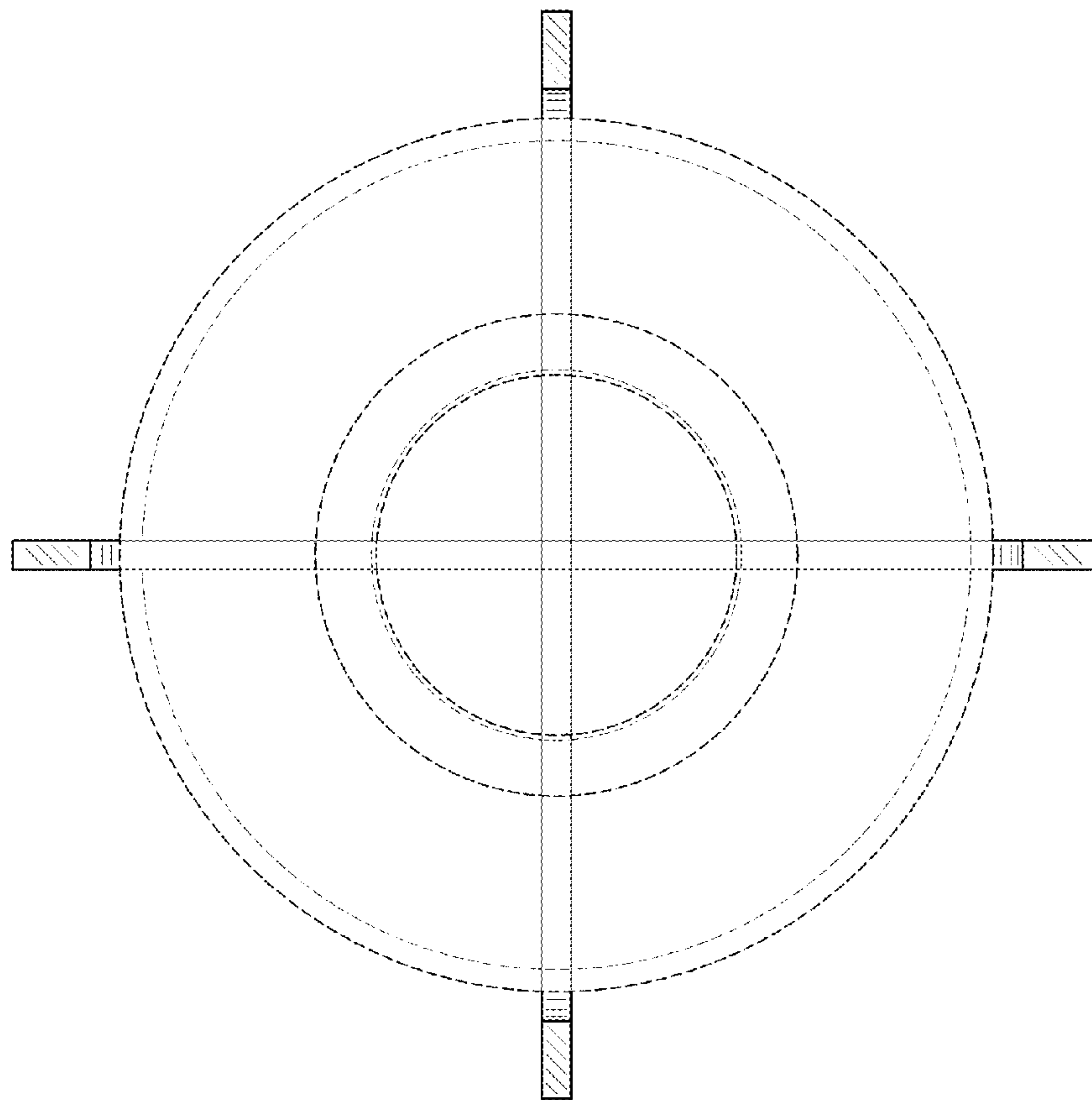


FIG. 14

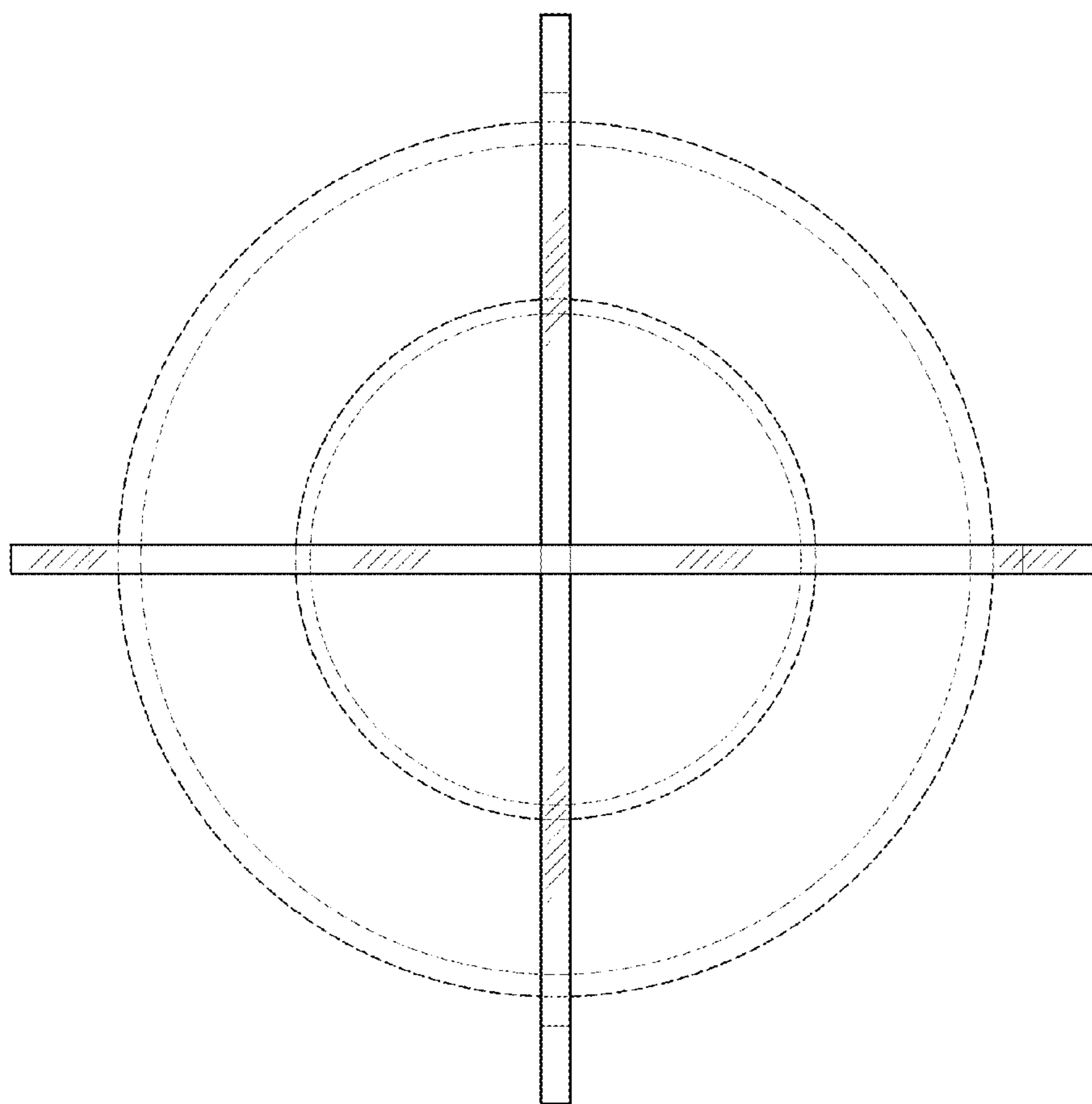


FIG. 15

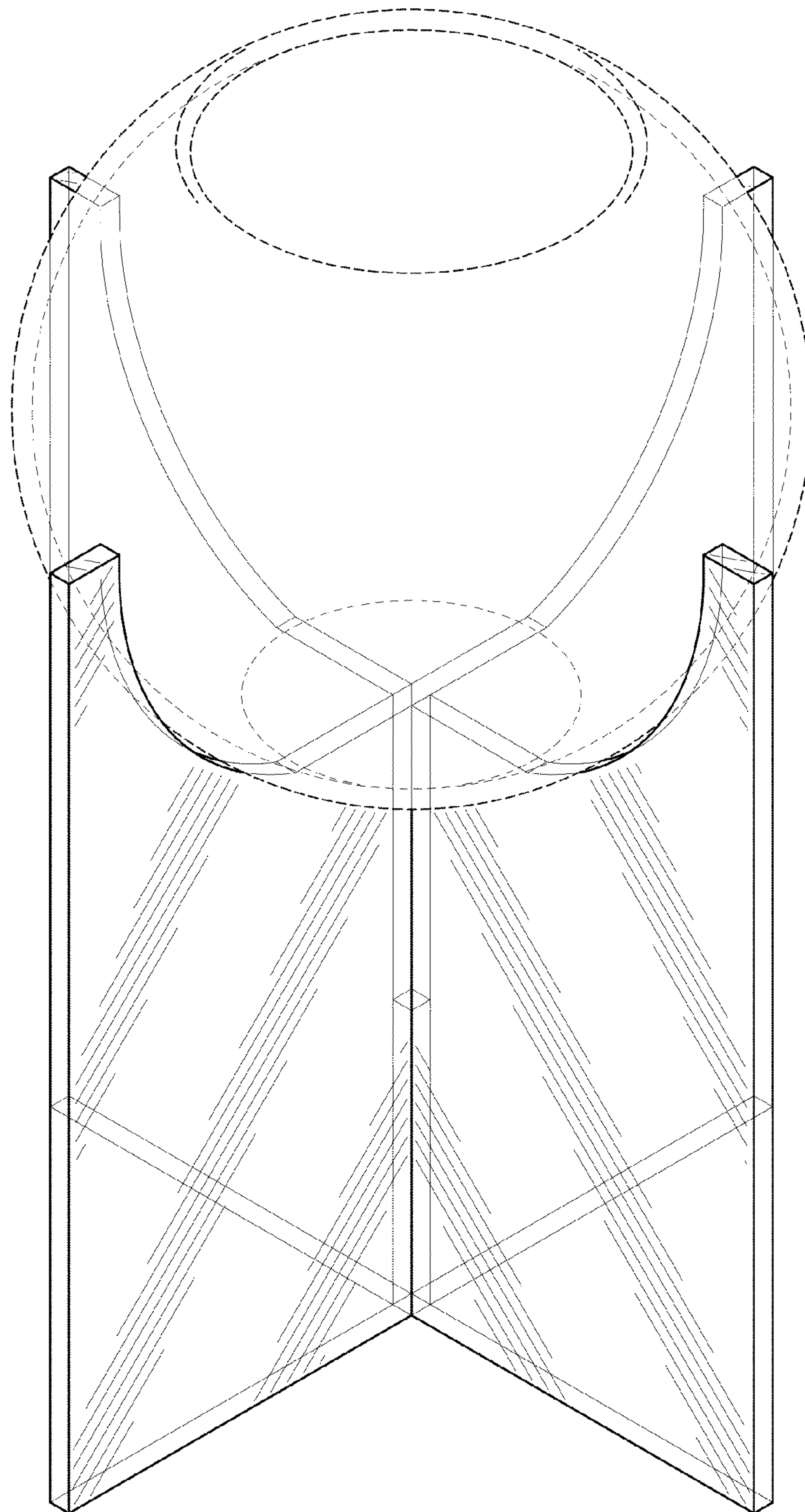


FIG. 16

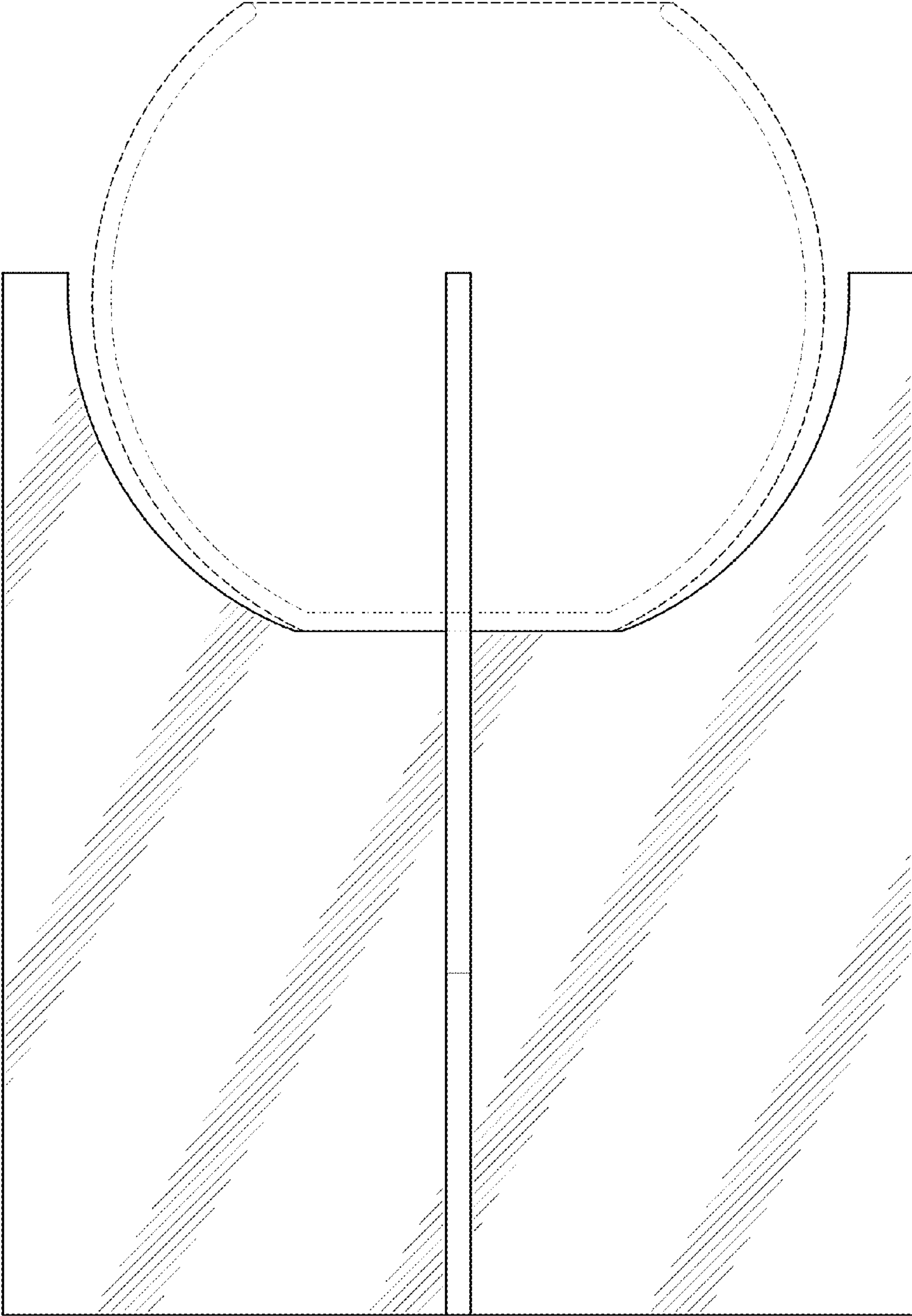


FIG. 17

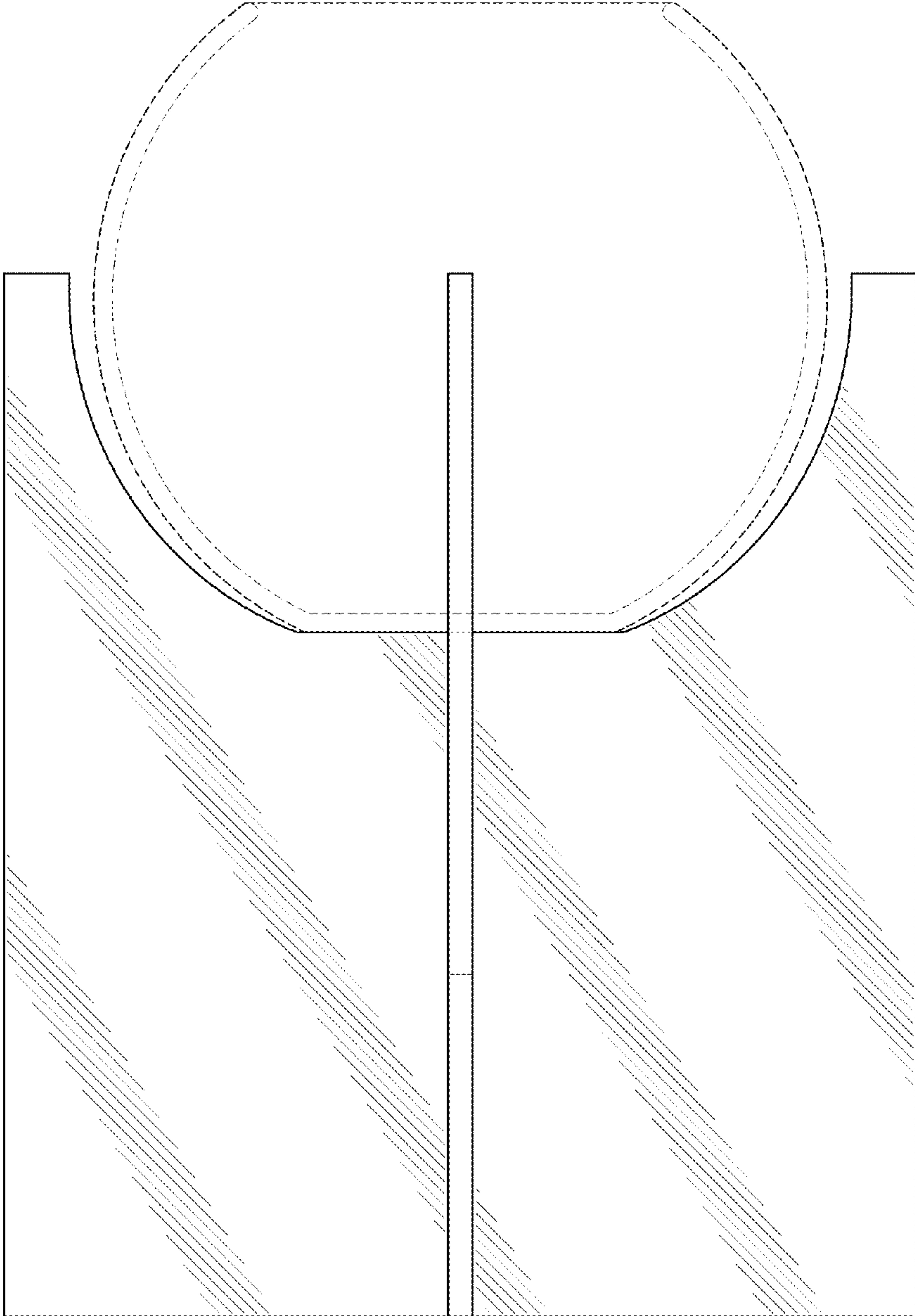


FIG. 18

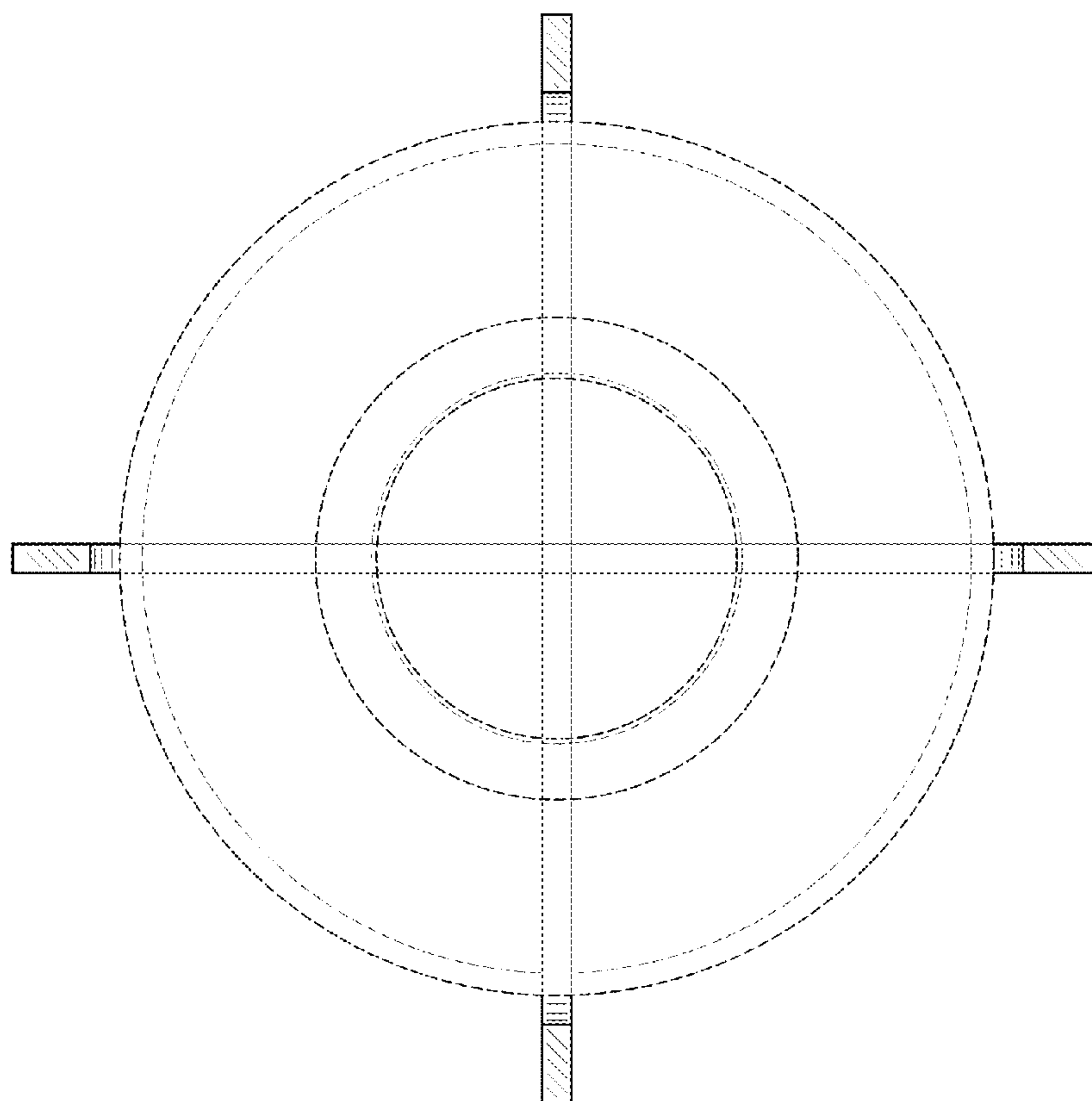


FIG. 19

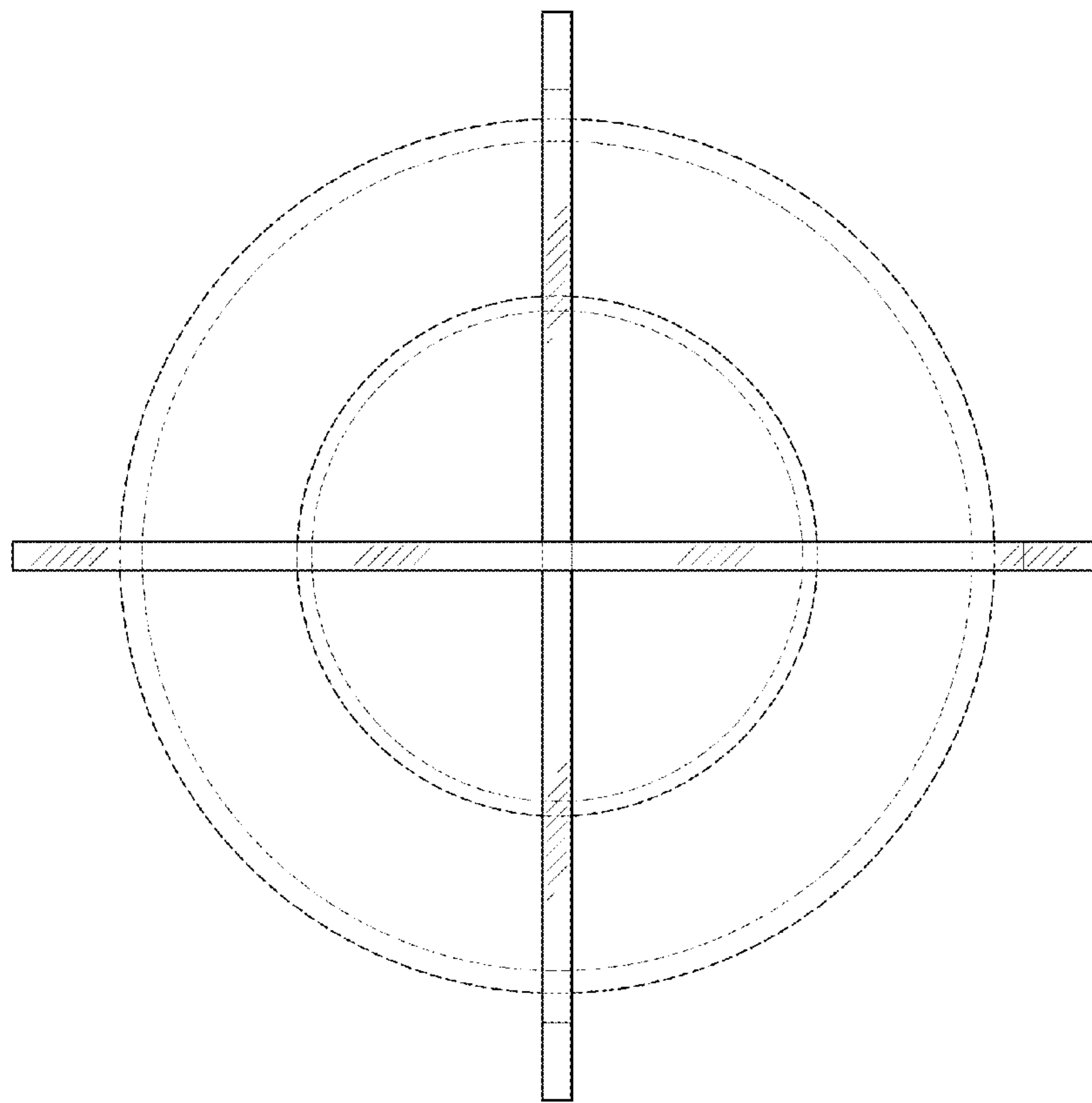


FIG. 20