



US00D696872S

(12) **United States Design Patent**  
**Tran**

(10) **Patent No.:** **US D696,872 S**  
(45) **Date of Patent:** **\*\* Jan. 7, 2014**

(54) **SPORTS MEMORABILIA HOLDER**

*Primary Examiner* — Brian N Vinson

(76) Inventor: **Phat Tran**, Las Vegas, NV (US)

(74) *Attorney, Agent, or Firm* — John D. Tran; Rhema Law Group, P.C.

(\*\*) Term: **14 Years**

(21) Appl. No.: **29/424,882**

(57) **CLAIM**

(22) Filed: **Jun. 16, 2012**

The ornamental design for a sports memorabilia holder, as shown and described.

(51) **LOC (10) Cl.** ..... **08-08**

(52) **U.S. Cl.**  
USPC ..... **D6/552**

(58) **Field of Classification Search**  
USPC ..... D6/552, 566, 396, 397, 449, 455;  
D21/785; 108/28, 59, 91, 150;  
206/315.9; 211/13.1, 14, 85.23;  
248/309.1; D7/600.4; D11/131;  
D3/224

See application file for complete search history.

**DESCRIPTION**

FIG. 1 is a right side perspective view of a sports memorabilia holder showing my new design, the broken-line disclosure of a basketball being for illustrative purposes only and forming no part of the claimed design;  
FIG. 2 is an additional side perspective view thereof;  
FIG. 3 is a front elevational view thereof, the broken-line disclosure representing portions of the holder which form no part of the claimed design;  
FIG. 4 is a rear elevational view thereof;  
FIG. 5 is a left side elevational view thereof;  
FIG. 6 is a right side elevational view thereof;  
FIG. 7 is a top plan view thereof; and,  
FIG. 8 is a bottom plan view thereof.  
The broken lines shown throughout the views represent the portions of the design which form no part of the claim.  
The stippling shown throughout the views is for illustrative purposes only.

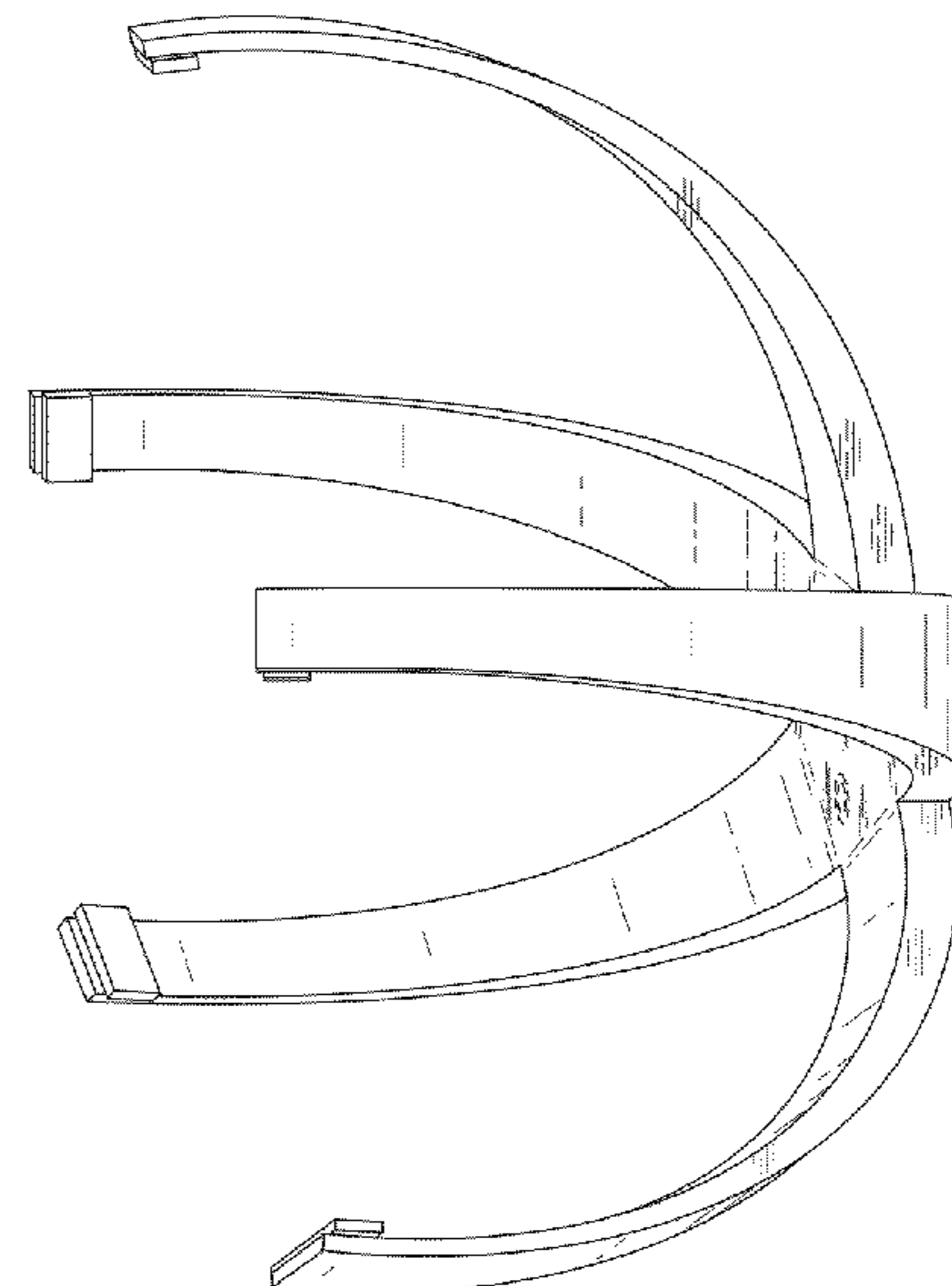
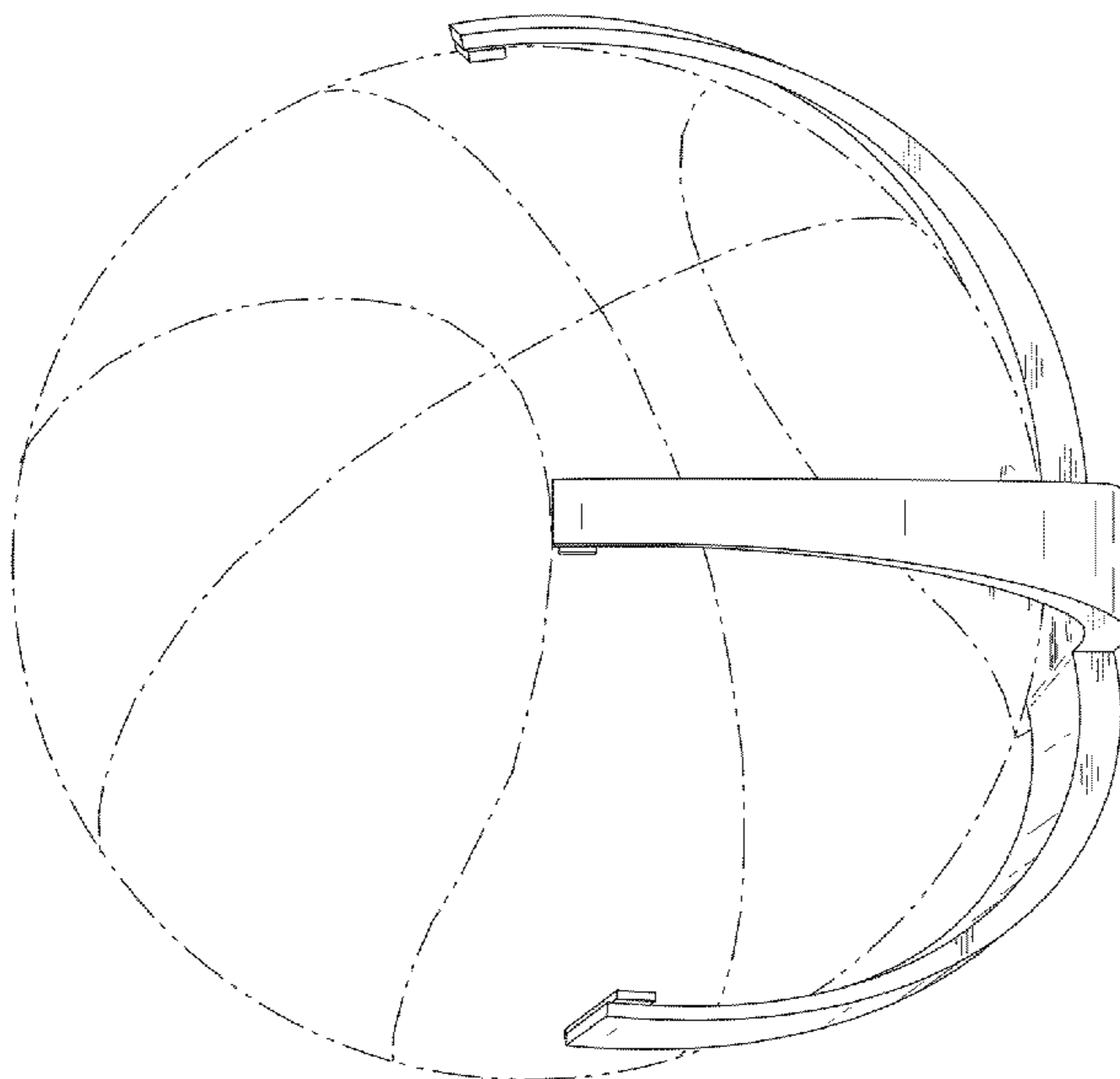
(56) **References Cited**

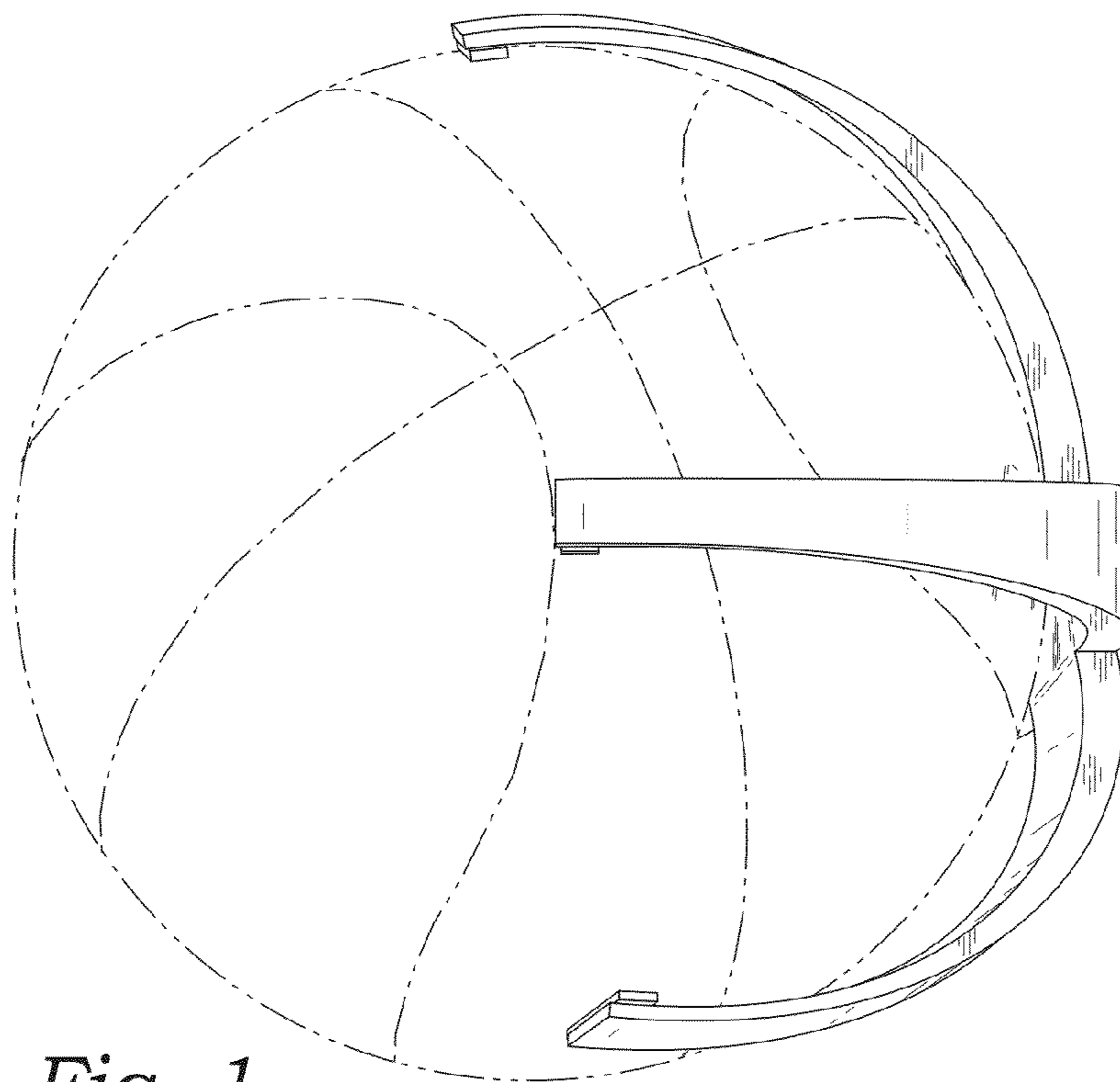
U.S. PATENT DOCUMENTS

1,024,536	A *	4/1912	Taylor	.....	206/315.9
D363,520	S *	10/1995	Melillo	.....	D3/224
D389,688	S *	1/1998	Iacono	.....	D6/552
6,454,105	B1 *	9/2002	Medina	.....	211/14
D464,836	S *	10/2002	Barrera	.....	D6/552
D539,055	S *	3/2007	Kershaw	.....	D11/131
D571,138	S *	6/2008	Riley	.....	D6/552
D577,235	S *	9/2008	Blazer	.....	D6/552
D681,380	S *	5/2013	Lien	.....	D6/552

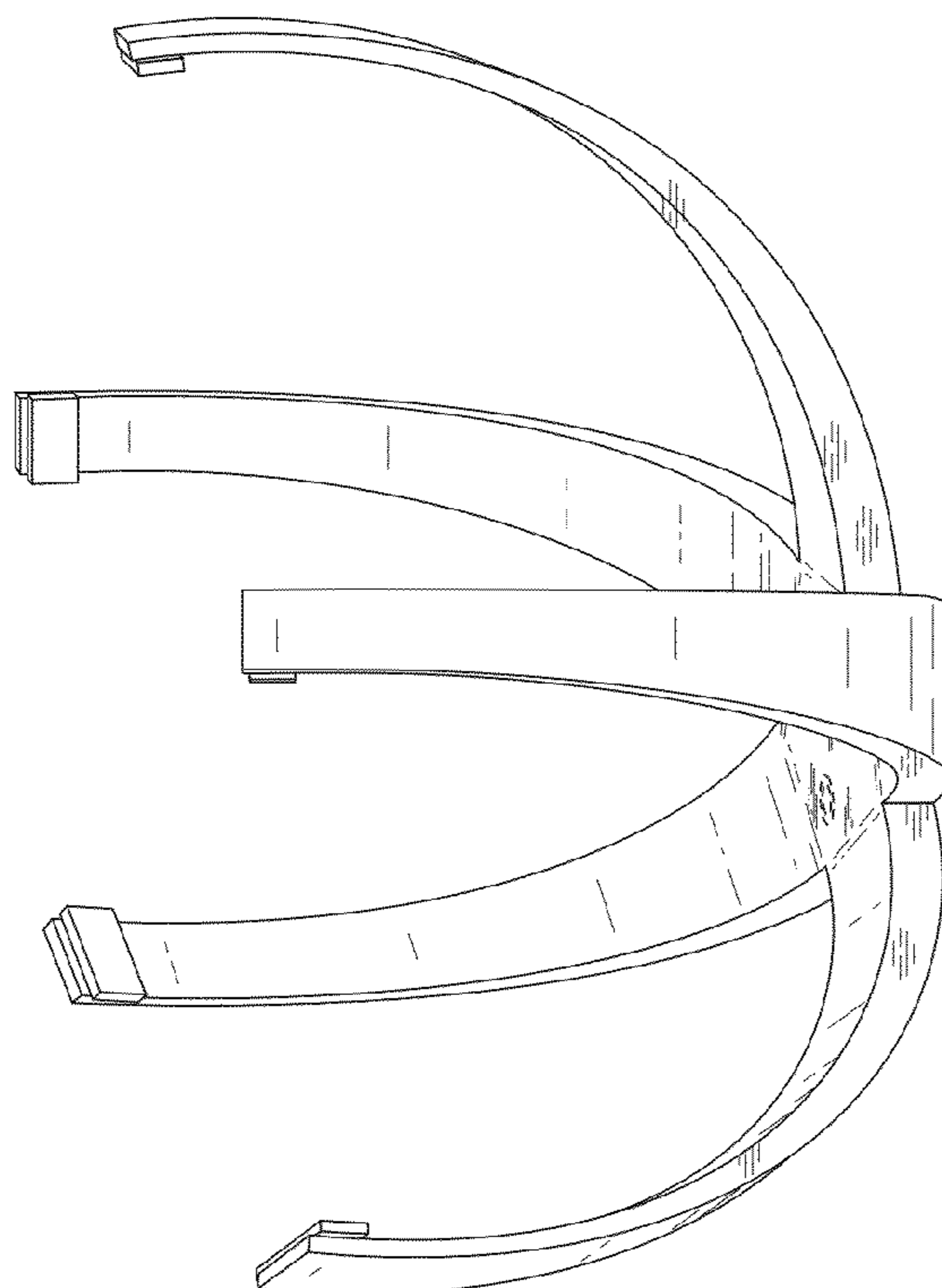
\* cited by examiner

**1 Claim, 3 Drawing Sheets**

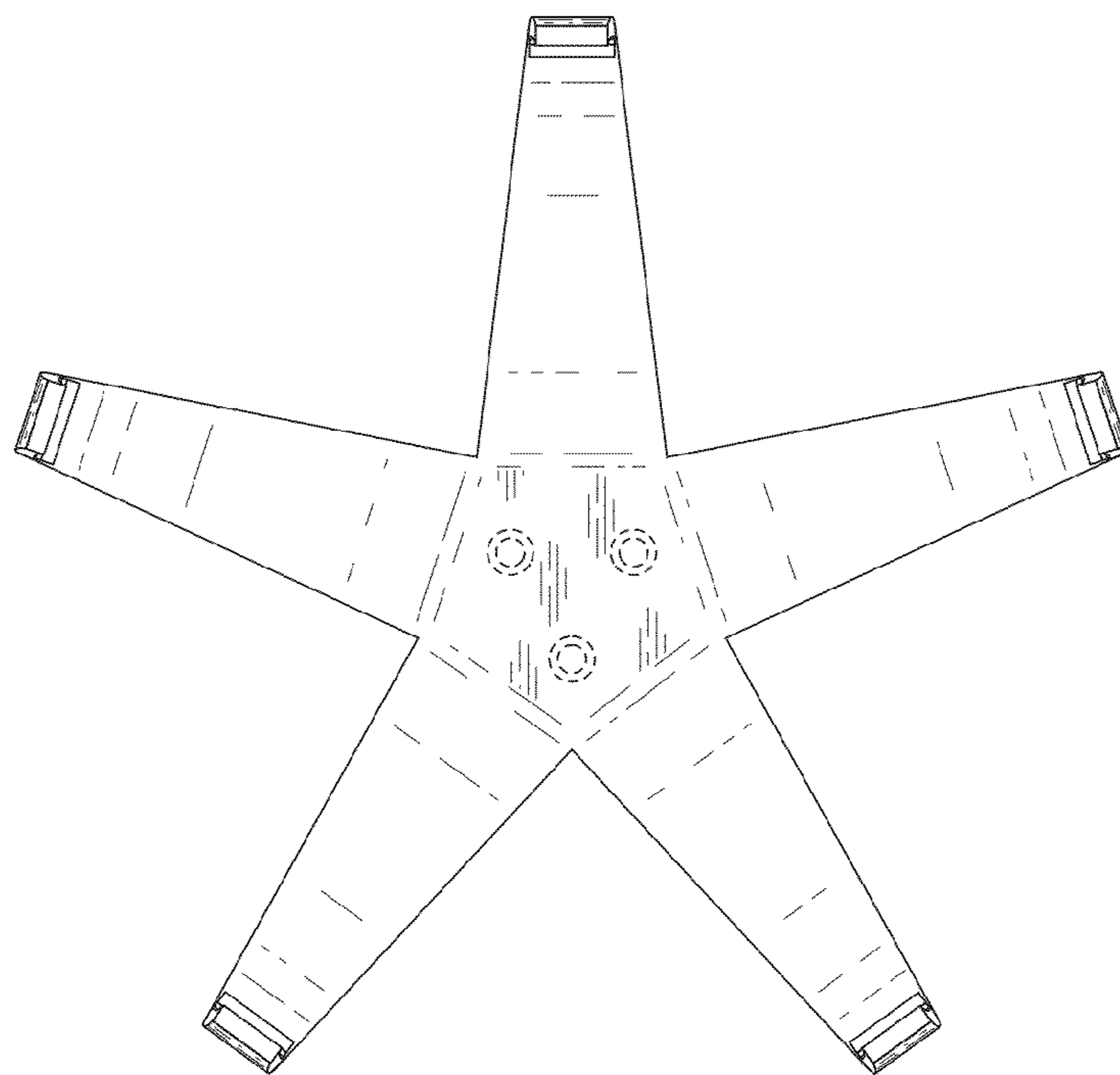




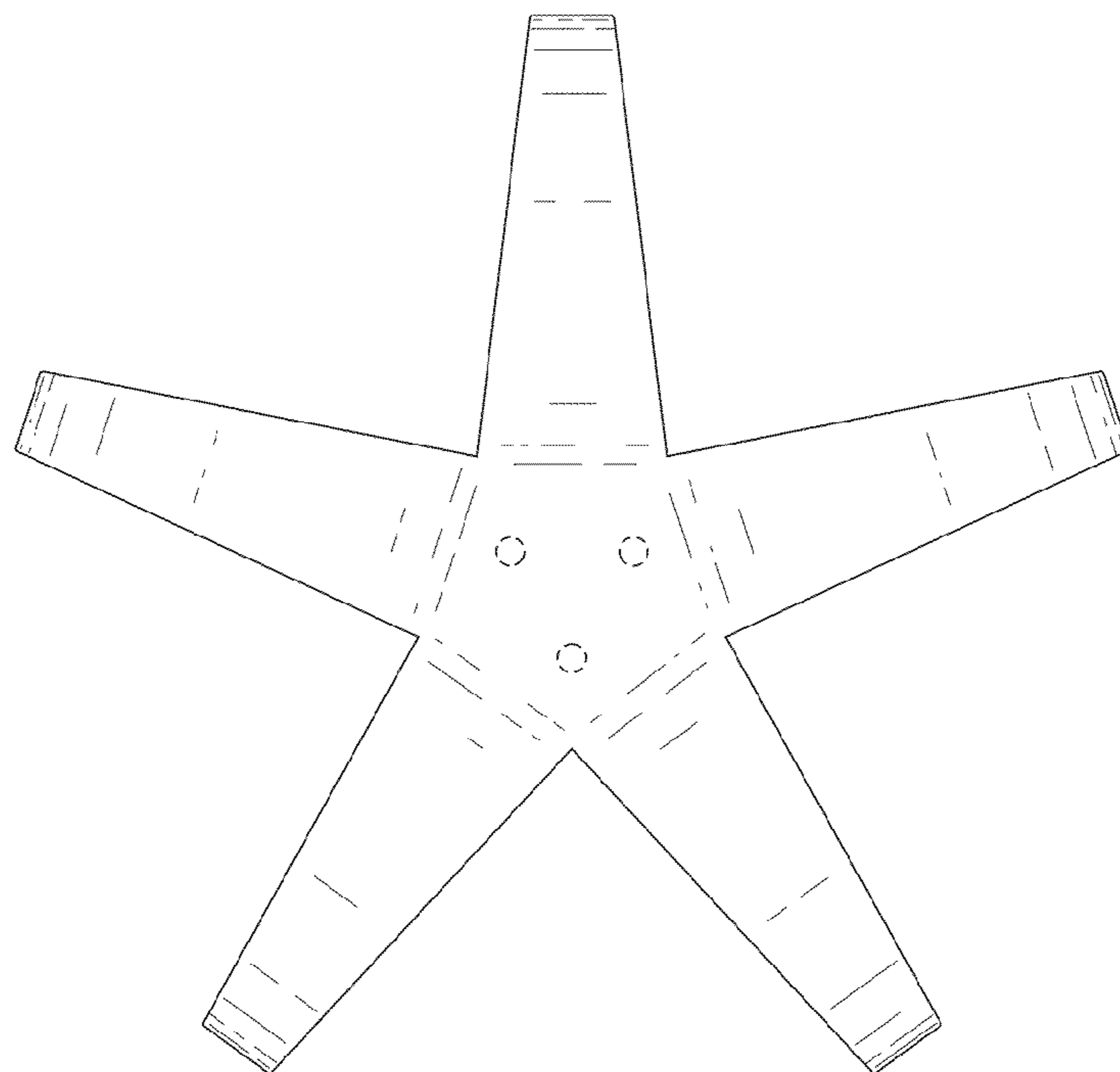
*Fig. 1*



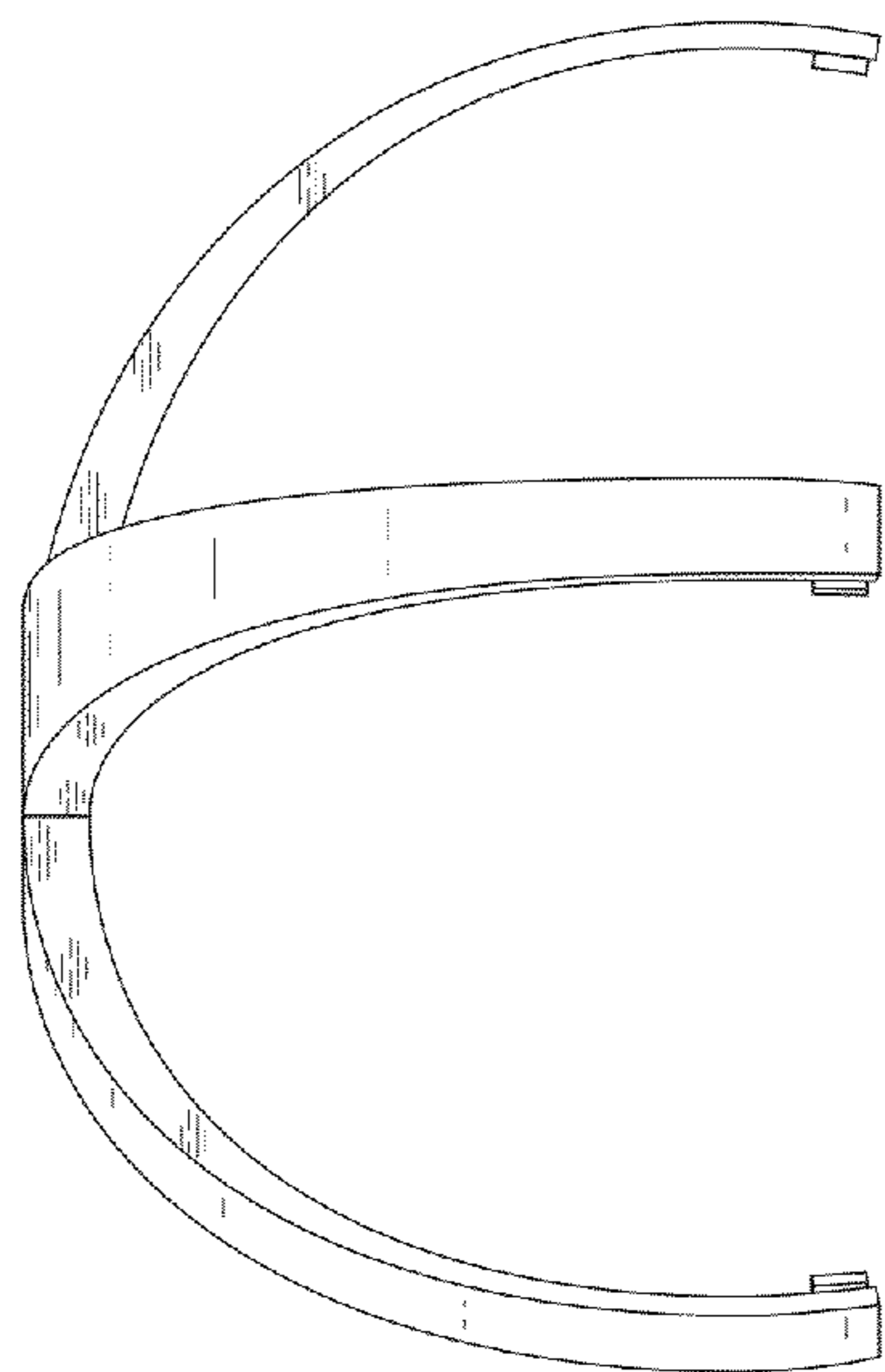
*Fig. 2*



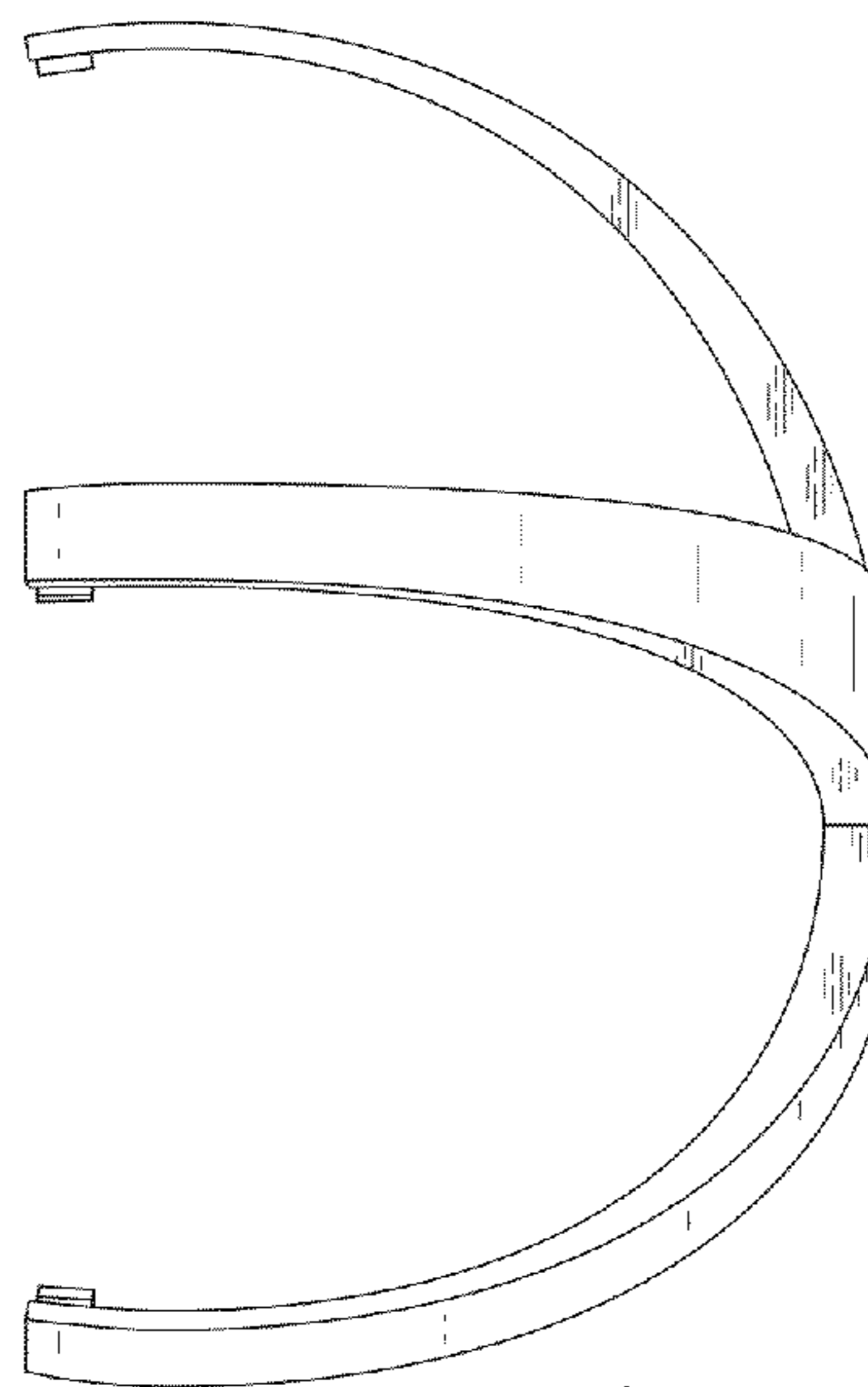
*Fig. 3*



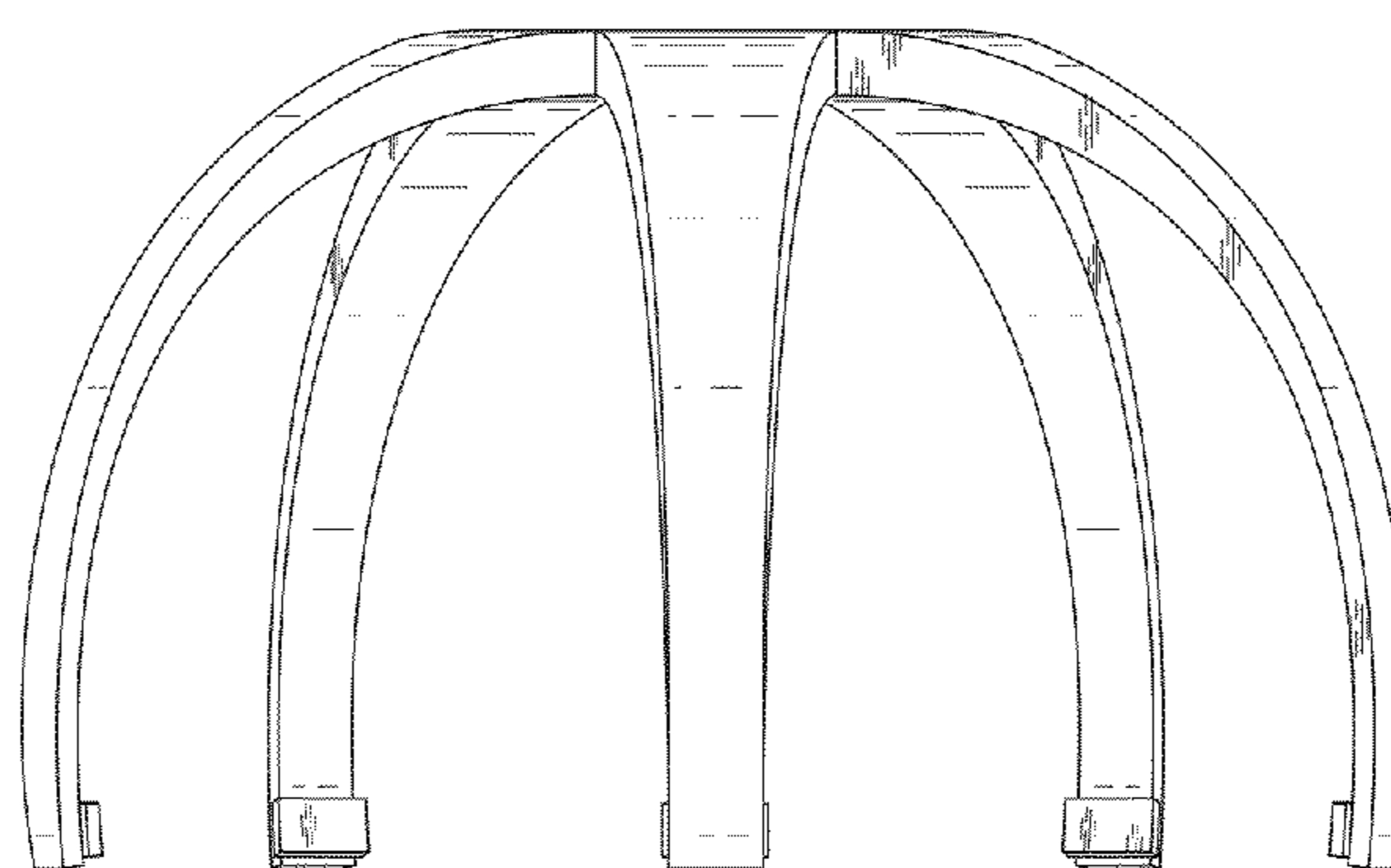
*Fig. 4*



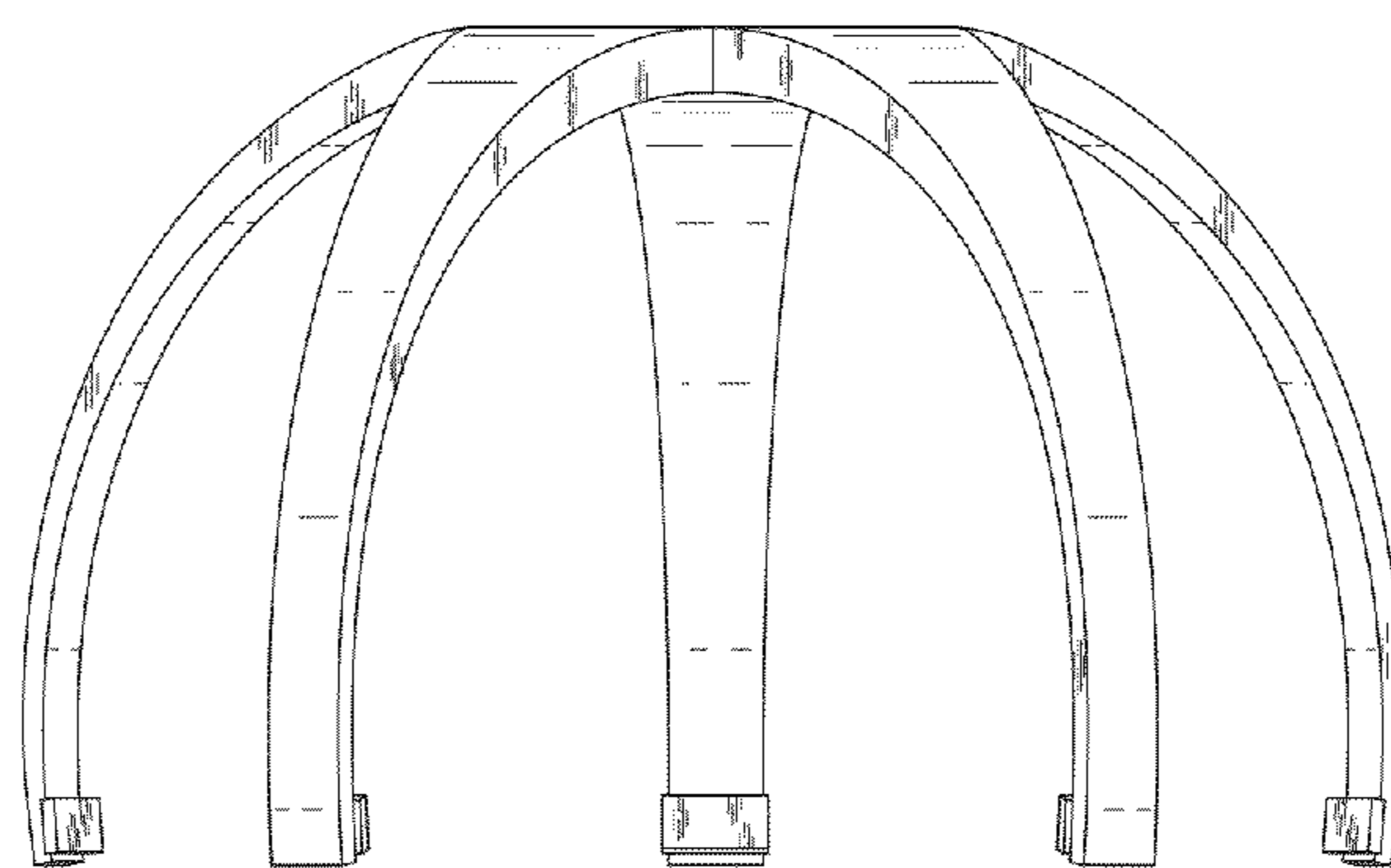
*Fig. 5*



*Fig. 6*



*Fig. 7*



*Fig. 8*