

US00D696868S

(12) **United States Design Patent**
Schouten et al.

(10) **Patent No.:** **US D696,868 S**
(45) **Date of Patent:** **** Jan. 7, 2014**

(54) **AUTOMOTIVE TIRE CLEANING BRUSH**

(56) **References Cited**

(71) Applicant: **Hopkins Manufacturing Corporation,**
Emporia, KS (US)

U.S. PATENT DOCUMENTS

(72) Inventors: **Pieter Schouten,** Berkeley, CA (US);
Marcus Gooden, LomaLinda, CA (US)

D510,483	S	*	10/2005	Kuo et al.	D4/128
D521,249	S	*	5/2006	Hay et al.	D4/138
D534,411	S	*	1/2007	Kuo	D8/107
D564,853	S	*	3/2008	Chen	D8/107
D616,277	S	*	5/2010	Molina et al.	D8/82

(73) Assignee: **Hopkins Manufacturing Corporation,**
Emporia, KS (US)

FOREIGN PATENT DOCUMENTS

(**) Term: **14 Years**

KR 20-2010-000766 U * 8/2010 B60S 1/68

* cited by examiner

(21) Appl. No.: **29/452,896**

Primary Examiner — Melanie H Tung

Assistant Examiner — Lavone D Tabor

(22) Filed: **Apr. 23, 2013**

(74) *Attorney, Agent, or Firm* — George R. McGuire; Bond
Schoeneck & King, PLLC

(51) **LOC (10) Cl.** **04-01**

(57) **CLAIM**

The ornamental design for an automotive tire cleaning brush,
as shown and described.

(52) **U.S. Cl.**

USPC **D4/138; D4/128; D4/131**

DESCRIPTION

(58) **Field of Classification Search**

USPC D4/131-138; D7/393, 395, 401.2;
D8/82, 83, 107, 300, 303; 15/143.1,
15/159.1, 160, 186-188, 206; 16/430,
16/DIG. 12, DIG. 19; 81/489, 492; D28/28,
D28/30, 63; D30/158, 159; 119/600,
119/611-616, 625, 633; 132/120, 137, 142,
132/313

FIG. 1 is a perspective view of an automotive tire cleaning
brush showing our new design, the bristles being shown in
broken lines to illustrate portions of the brush that form no
part of the claimed design;

FIG. 2 is a front elevation view thereof;

FIG. 3 is a rear elevation view thereof;

FIG. 4 is a first side elevation view thereof;

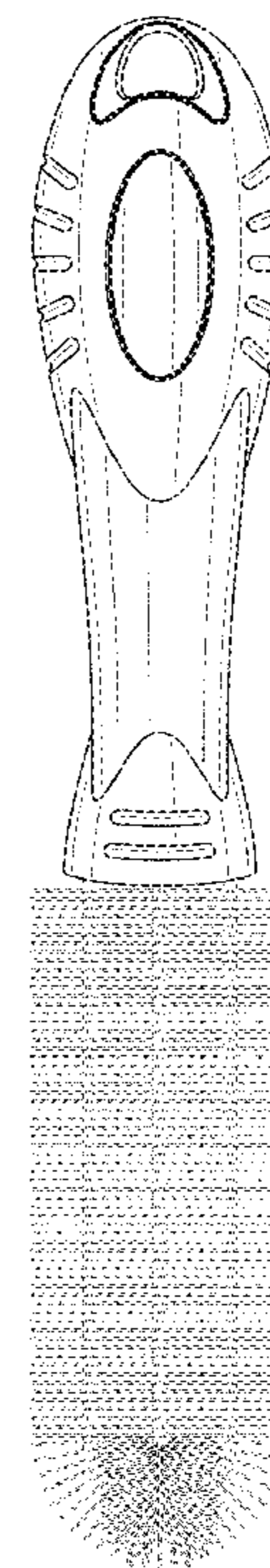
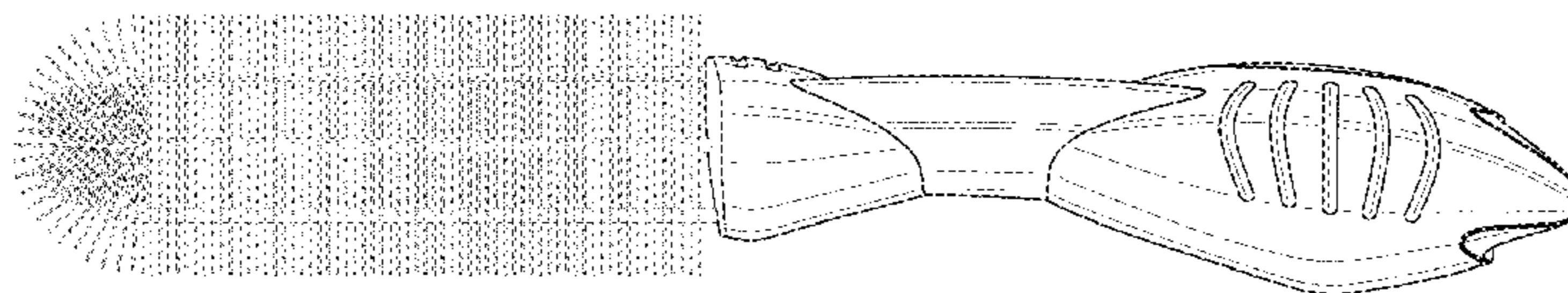
FIG. 5 is a second side elevation view thereof;

FIG. 6 is a top plan view thereof; and,

FIG. 7 is a bottom plan view thereof.

See application file for complete search history.

1 Claim, 7 Drawing Sheets



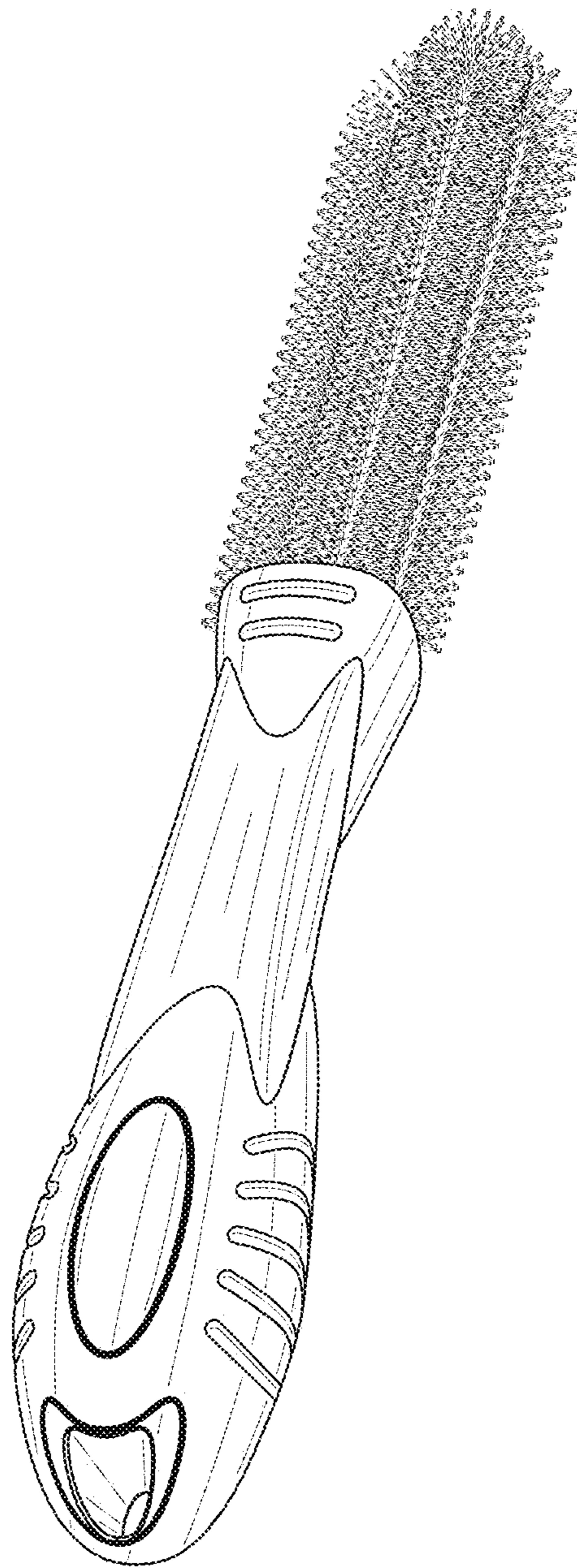


FIG. 1

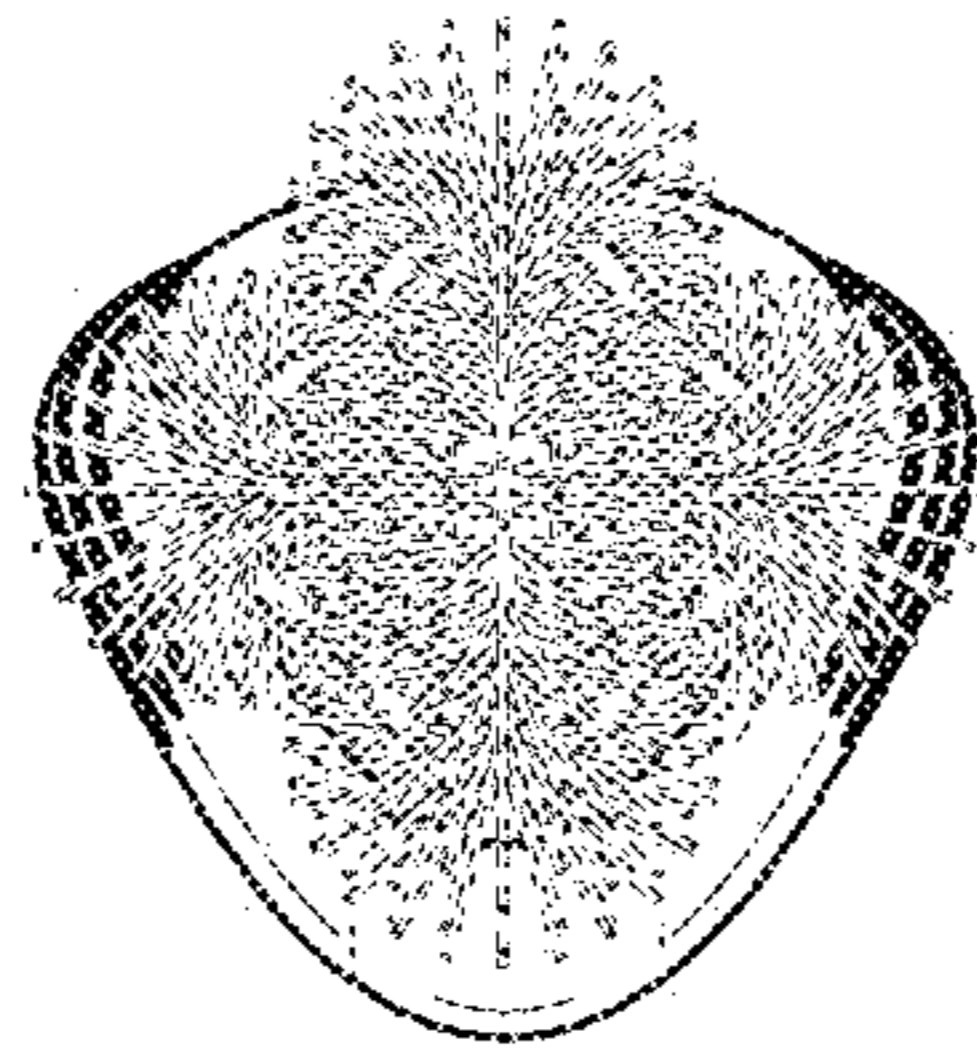


FIG. 2

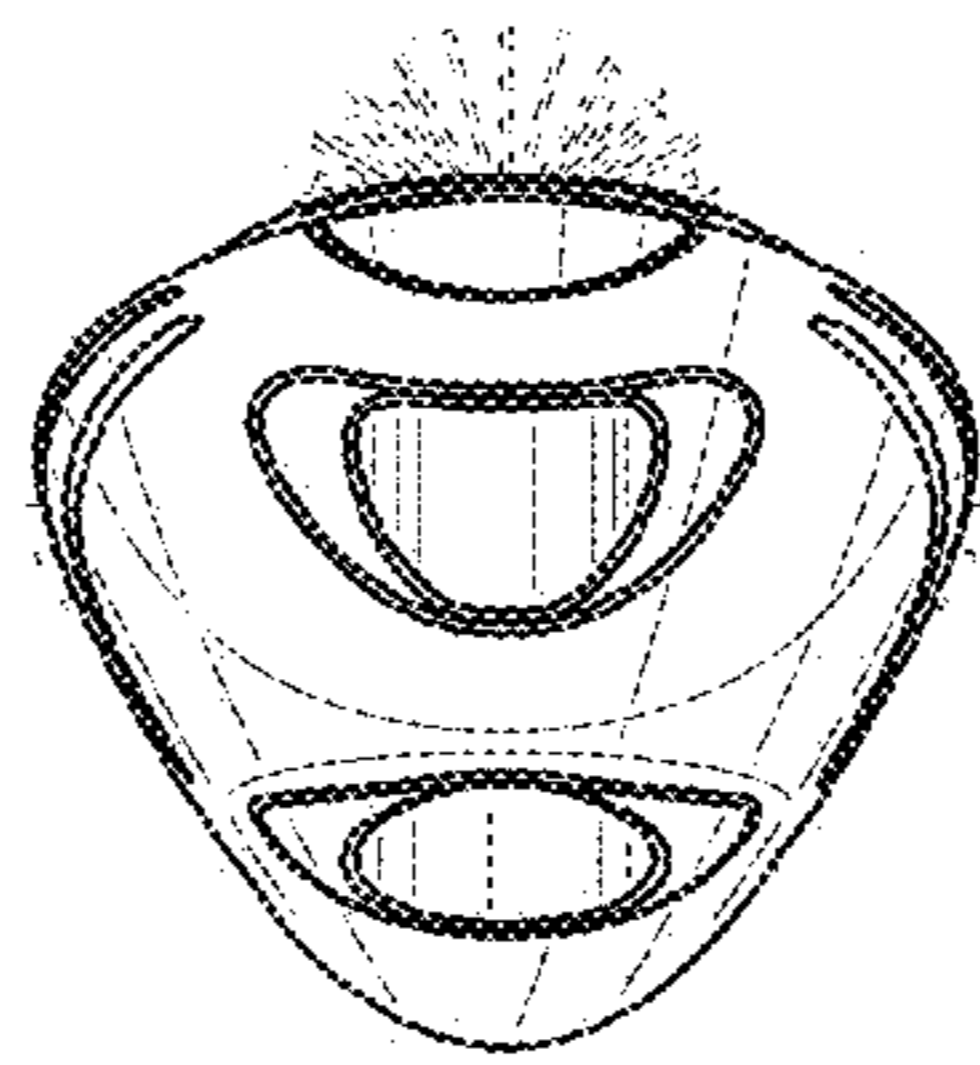


FIG. 3

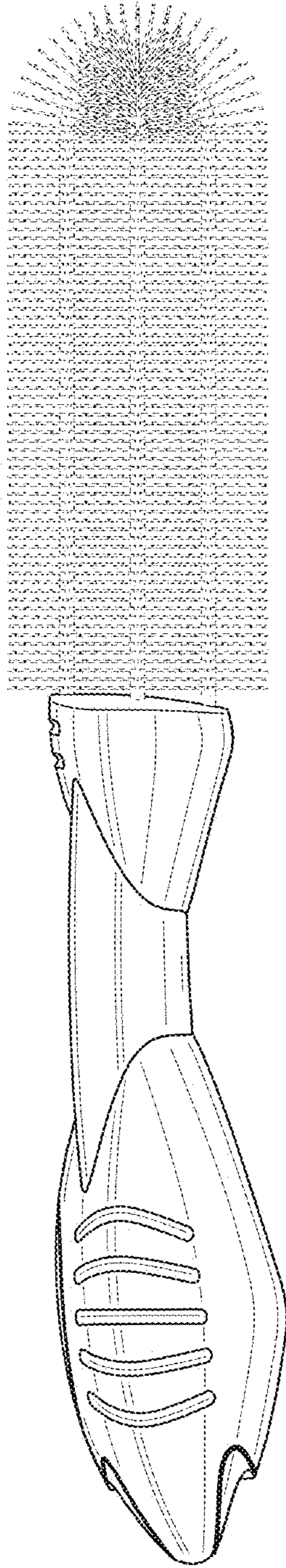


FIG. 4

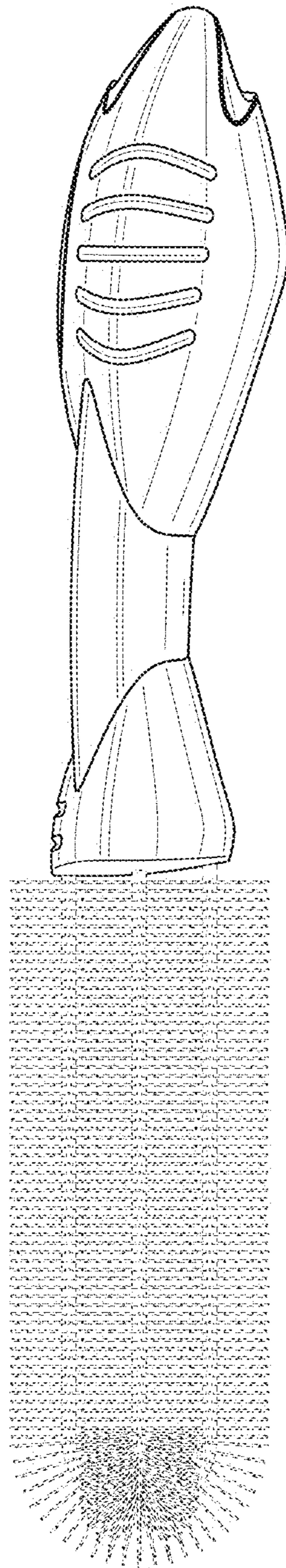


FIG. 5

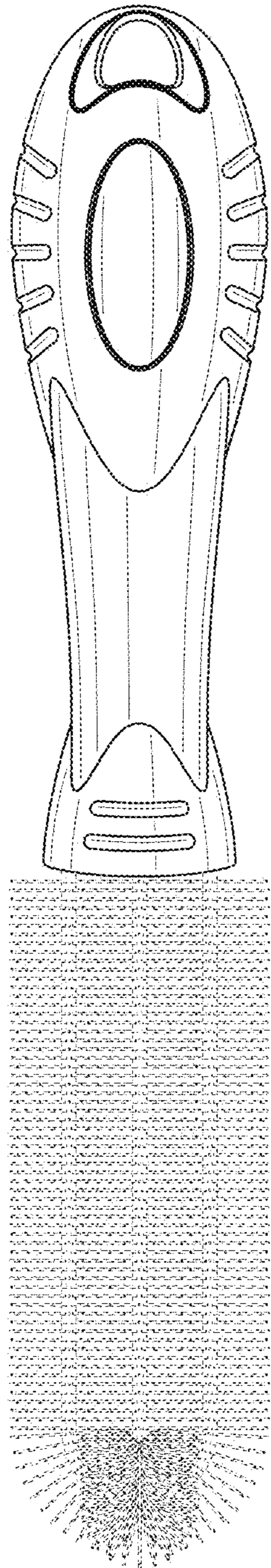


FIG. 6

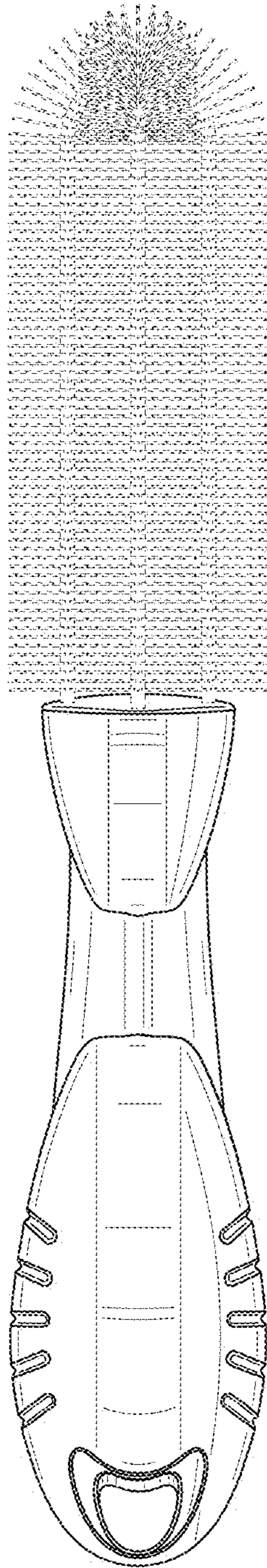


FIG. 7