

US00D696863S

(12) **United States Design Patent**
Moore

(10) **Patent No.:** **US D696,863 S**

(45) **Date of Patent:** **** Jan. 7, 2014**

(54) **WALLET**

D628,797 S * 12/2010 Kalbach D3/247
D635,360 S * 4/2011 Dietrich D3/247

(76) Inventor: **Joshua John Edward Moore**, Elora
(CA)

* cited by examiner

(**) Term: **14 Years**

Primary Examiner — Holly Baynham

(21) Appl. No.: **29/432,495**

(57) **CLAIM**

The ornamental design of a wallet, as shown and described.

(22) Filed: **Sep. 15, 2012**

DESCRIPTION

(51) **LOC (10) Cl.** **03-01**

(52) **U.S. Cl.**
USPC **D3/247**

(58) **Field of Classification Search**
USPC D3/247, 249–253; 150/130, 132,
150/136–137, 147

See application file for complete search history.

FIG. 1 is an orthogonal view of a wallet showing my new design;

FIG. 2 is a side elevational view thereof;

FIG. 3 is a top elevational view thereof;

FIG. 4 is a front elevational view thereof;

FIG. 5 is a bottom elevational view thereof;

FIG. 6 is an orthogonal view thereof showing the open state;

FIG. 7 is a side elevational view thereof showing the open state;

FIG. 8 is an orthogonal view thereof showing the partial open state; and,

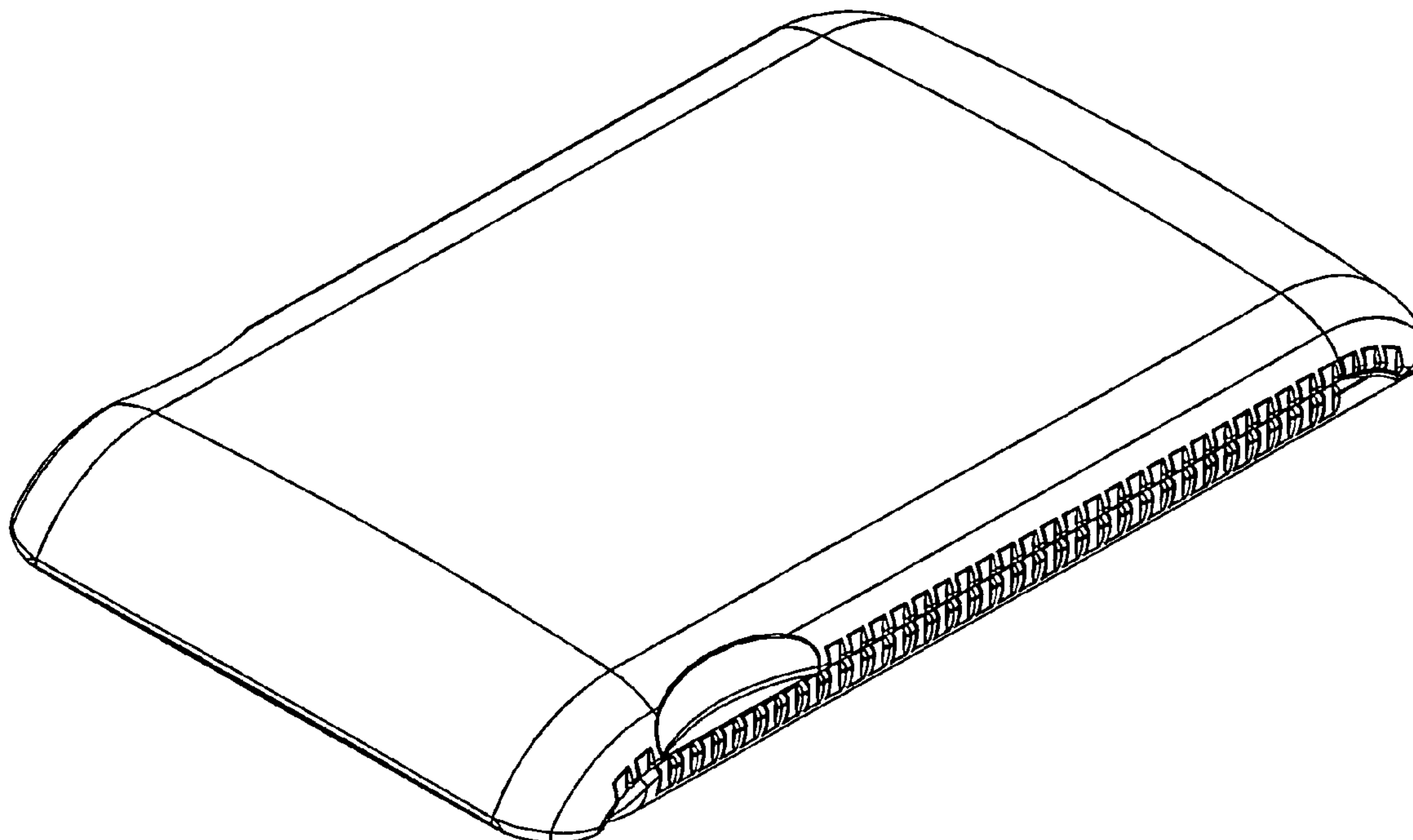
FIG. 9 is a side elevational view thereof showing the partial open state.

(56) **References Cited**

U.S. PATENT DOCUMENTS

D404,565 S * 1/1999 Ichihara et al. D3/247
D566,397 S * 4/2008 Jones D3/299

1 Claim, 5 Drawing Sheets



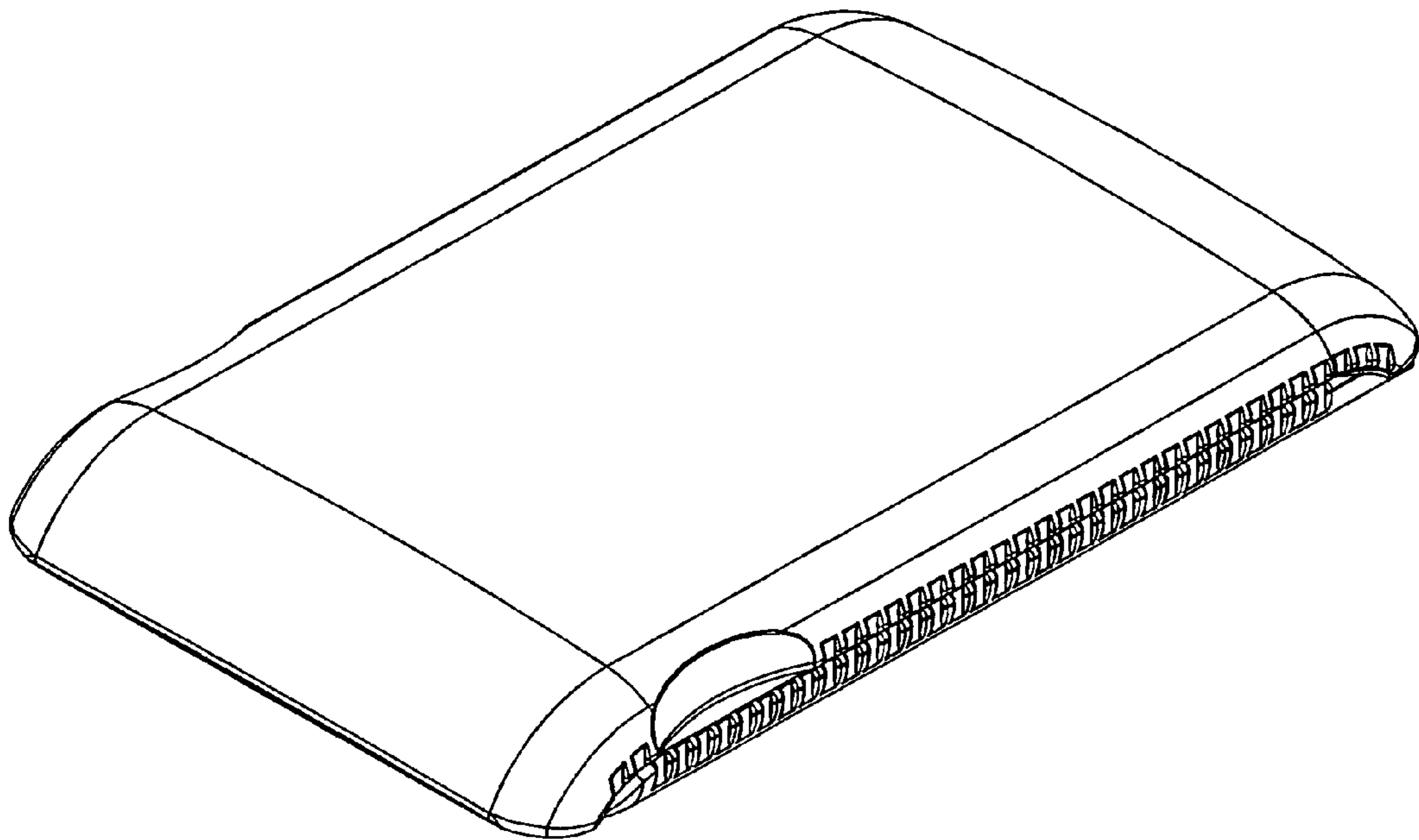


FIG. 1

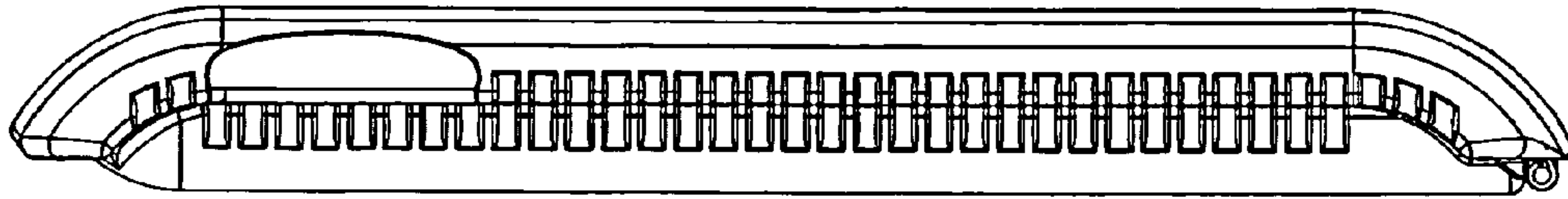


FIG. 2

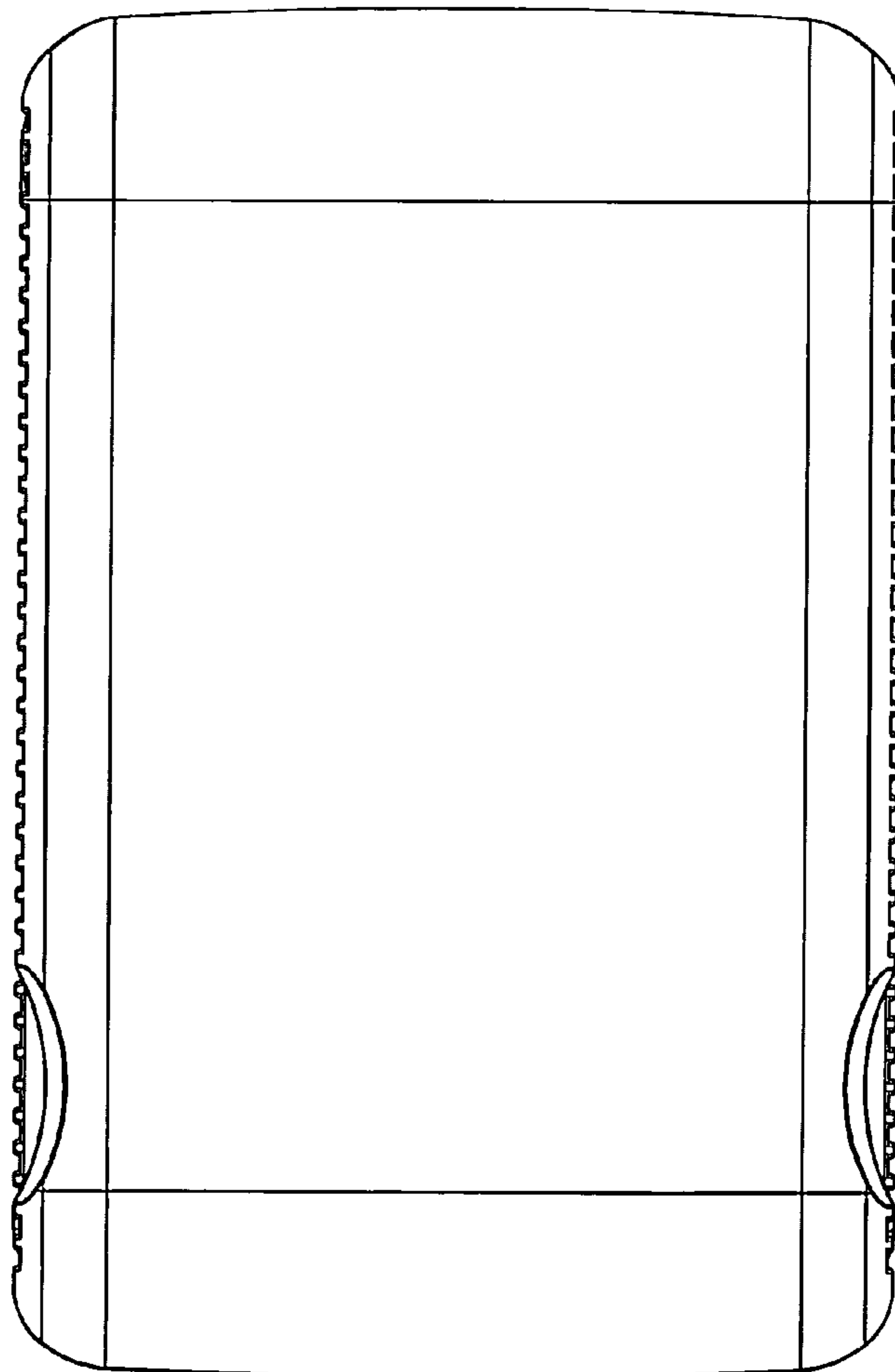


FIG. 3

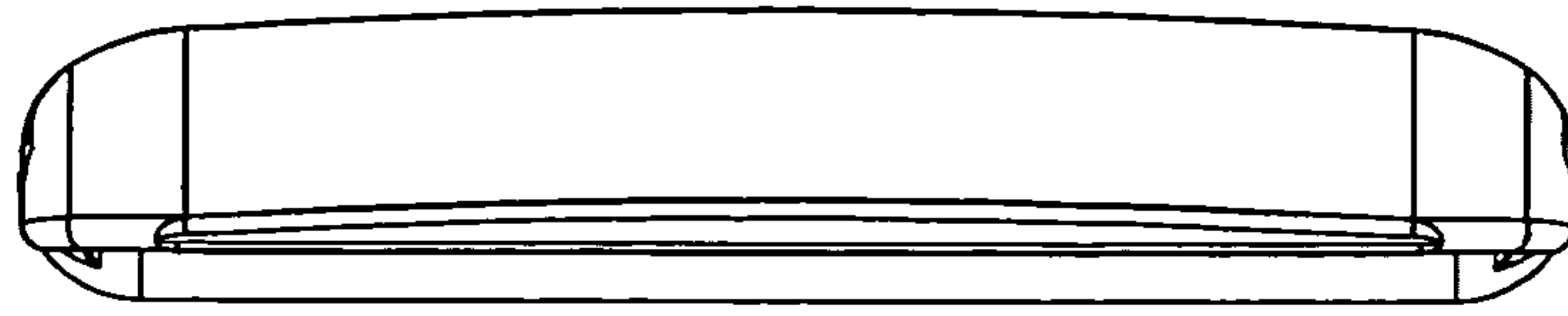


FIG. 4

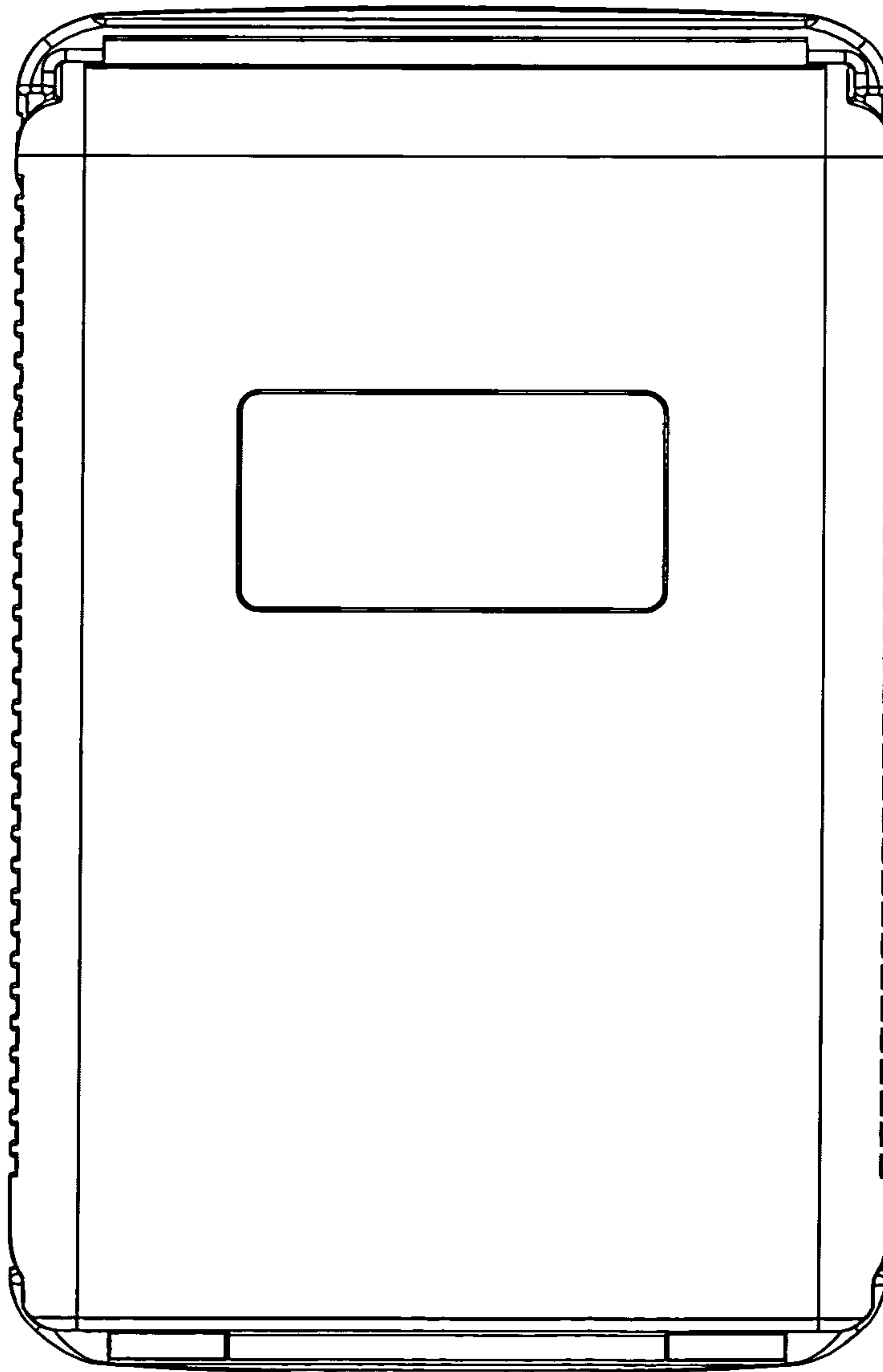


FIG. 5

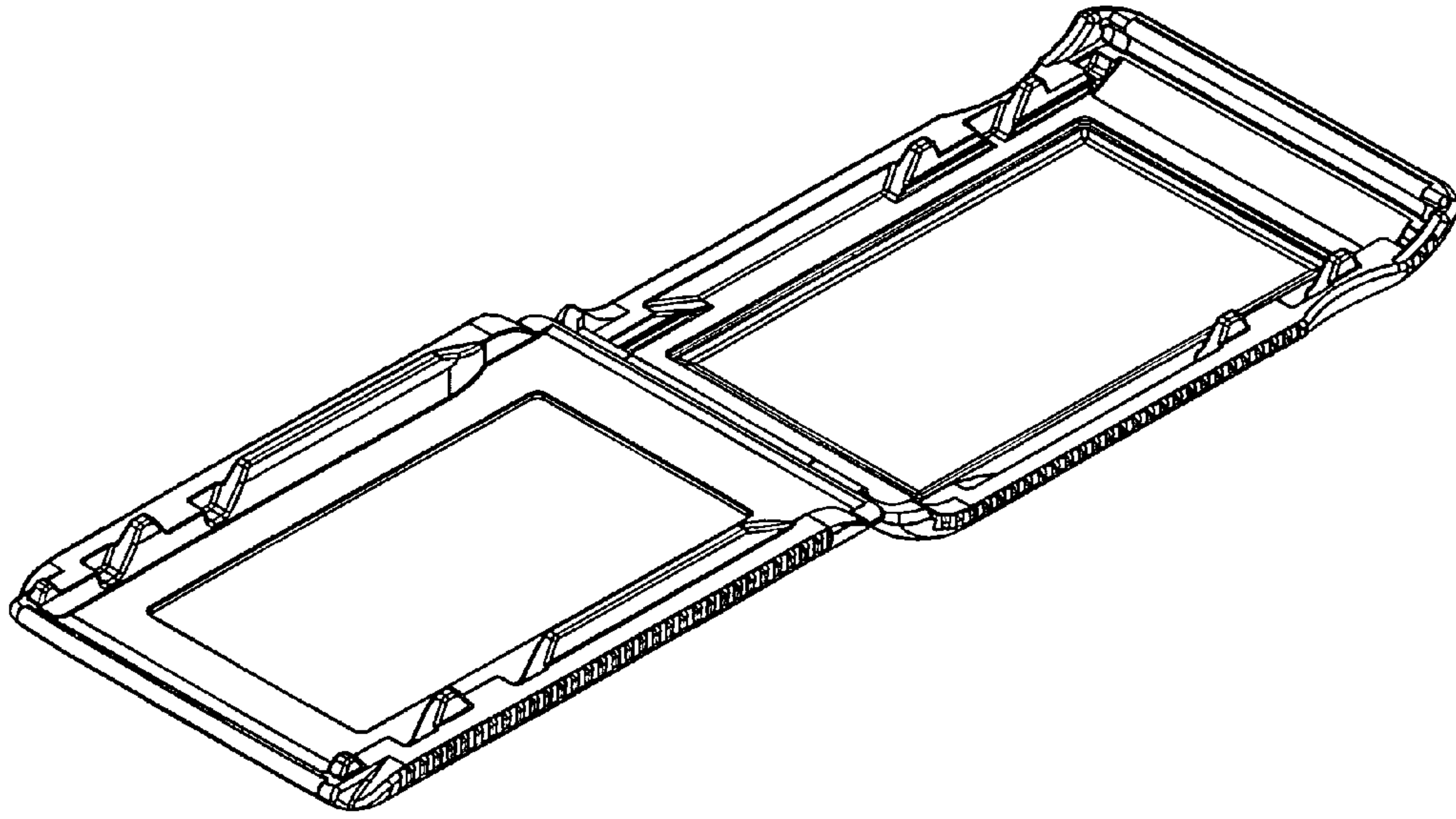


FIG. 6

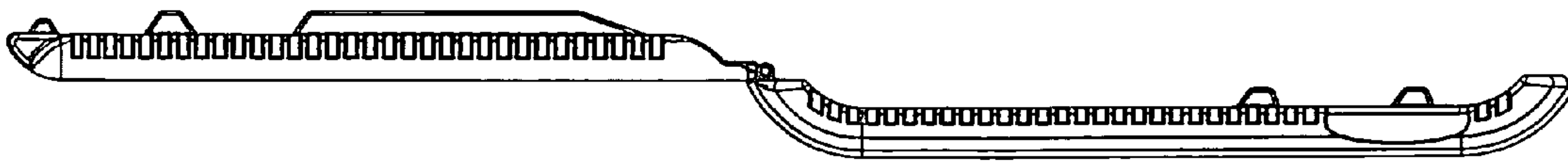


FIG. 7

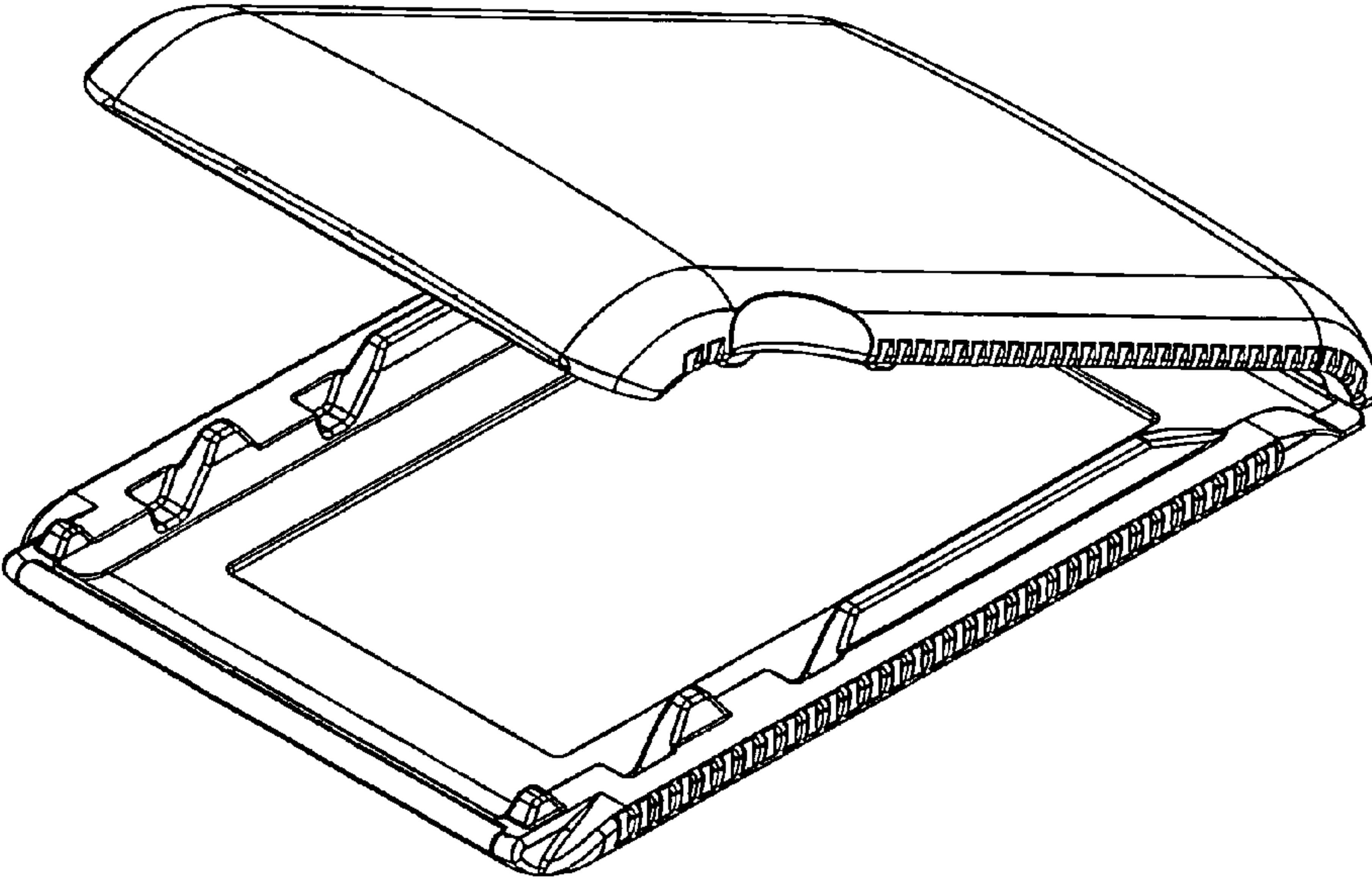


FIG. 8

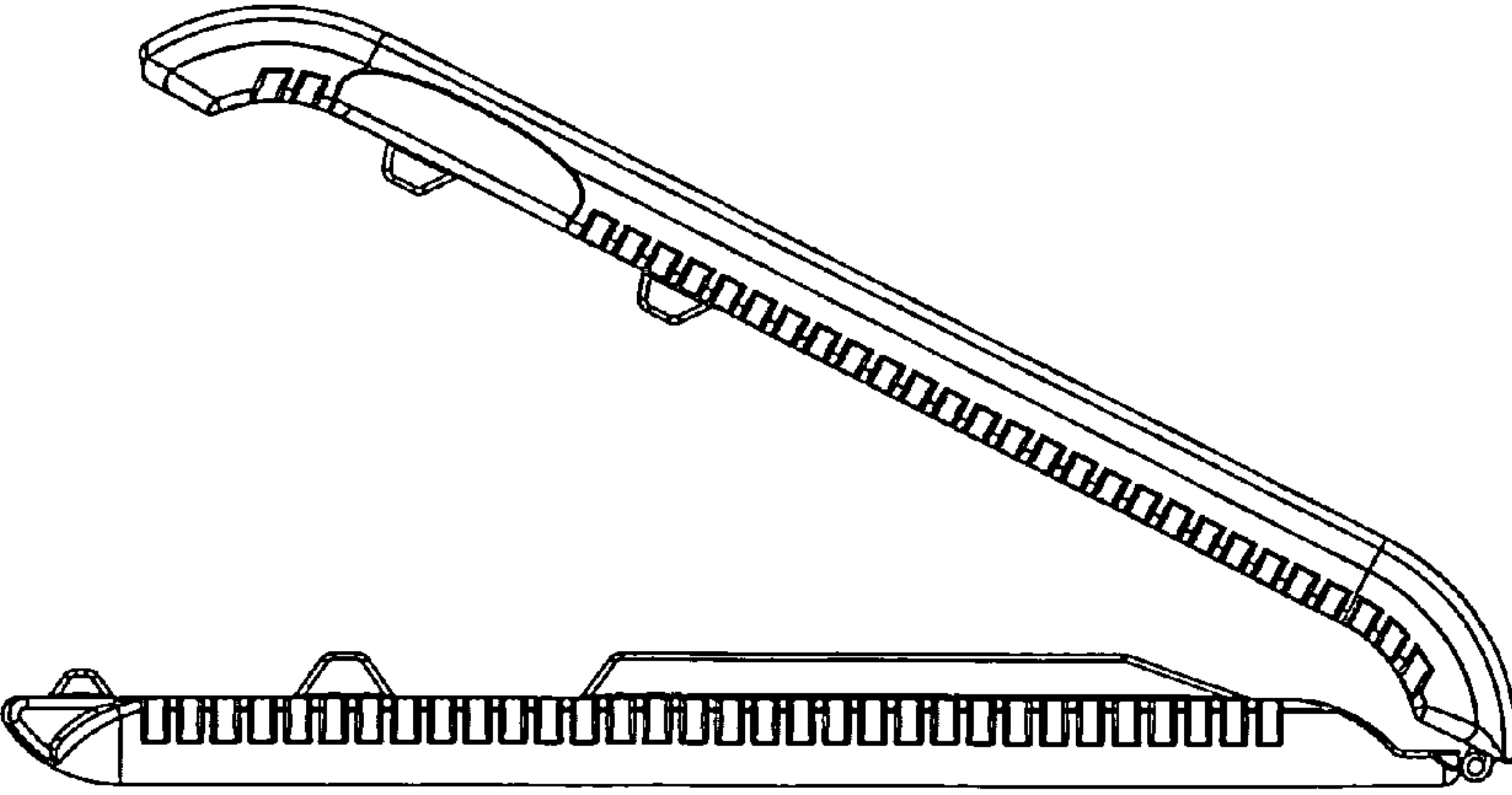


FIG. 9