

US00D696862S

(12) **United States Design Patent**
Guyon et al.

(10) **Patent No.:** **US D696,862 S**
(45) **Date of Patent:** **** Jan. 7, 2014**

- (54) **HANDBAG**
- (71) Applicant: **S.A.S. Jean Cassegrain**, Paris (FR)
- (72) Inventors: **Isabelle Guyon**, Paris (FR); **Sophie Delafontaine**, Paris (FR); **Philippe Cassegrain**, Paris (FR)
- (73) Assignee: **S.A.S. Jean Cassegrain**, Paris (FR)

D570,110 S	6/2008	Guyon et al.	
D570,111 S	6/2008	Guyon et al.	
D595,050 S	6/2009	Guyon et al.	
D624,750 S *	10/2010	Della Valle et al.	D3/232
D634,118 S	3/2011	Guyon et al.	
D670,907 S	11/2012	Guyon et al.	
D670,908 S	11/2012	Guyon et al.	
D674,599 S	1/2013	Guyon et al.	
D674,601 S *	1/2013	Gerbi	D3/243
D676,235 S *	2/2013	Vidal	D3/246
D683,958 S *	6/2013	Guyon et al.	D3/245

(**) Term: **14 Years**

(21) Appl. No.: **29/438,799**

(22) Filed: **Dec. 4, 2012**

(30) **Foreign Application Priority Data**

Jun. 6, 2012 (EP) 002053504

(51) **LOC (10) Cl.** **03-01**

(52) **U.S. Cl.**
USPC **D3/245**

(58) **Field of Classification Search**
USPC D3/232-233, 240-243, 245-246;
150/100, 103-110, 113-114, 117-119
See application file for complete search history.

(56) **References Cited**

U.S. PATENT DOCUMENTS

D442,778 S	5/2001	Guyon	
D489,892 S	5/2004	Cassegrain	
D489,893 S	5/2004	Guyon	
D501,316 S	2/2005	Guyon	
D501,599 S	2/2005	Guyon	
D531,404 S *	11/2006	Marttila	D3/246
D560,908 S *	2/2008	Gerbi	D3/246
D570,105 S	6/2008	Guyon et al.	

OTHER PUBLICATIONS

- "Collection Printemps", Longchamp, Paris, 2012.
- "More-Is-More", Collection Automne, Longchamp, Paris, 2012.
- "Collection Printemps", Longchamp, Paris, 2013.

* cited by examiner

Primary Examiner — Holly Baynham
(74) *Attorney, Agent, or Firm* — Gottlieb, Rackman & Reisman, P.C.

(57) **CLAIM**

The ornamental design for a handbag, as shown and described.

DESCRIPTION

FIG. 1 is a front elevational view of the handbag showing our new design;
FIG. 2 is a top plan view thereof;
FIG. 3 is a right side elevational view thereof,
FIG. 4 is a left side elevational view thereof;
FIG. 5 is a rear elevational view thereof; and,
FIG. 6 is a bottom plan view thereof.
The broken lines in FIGS. 1-6 show the stitching and are part of the claimed design.

1 Claim, 6 Drawing Sheets





FIG. 1

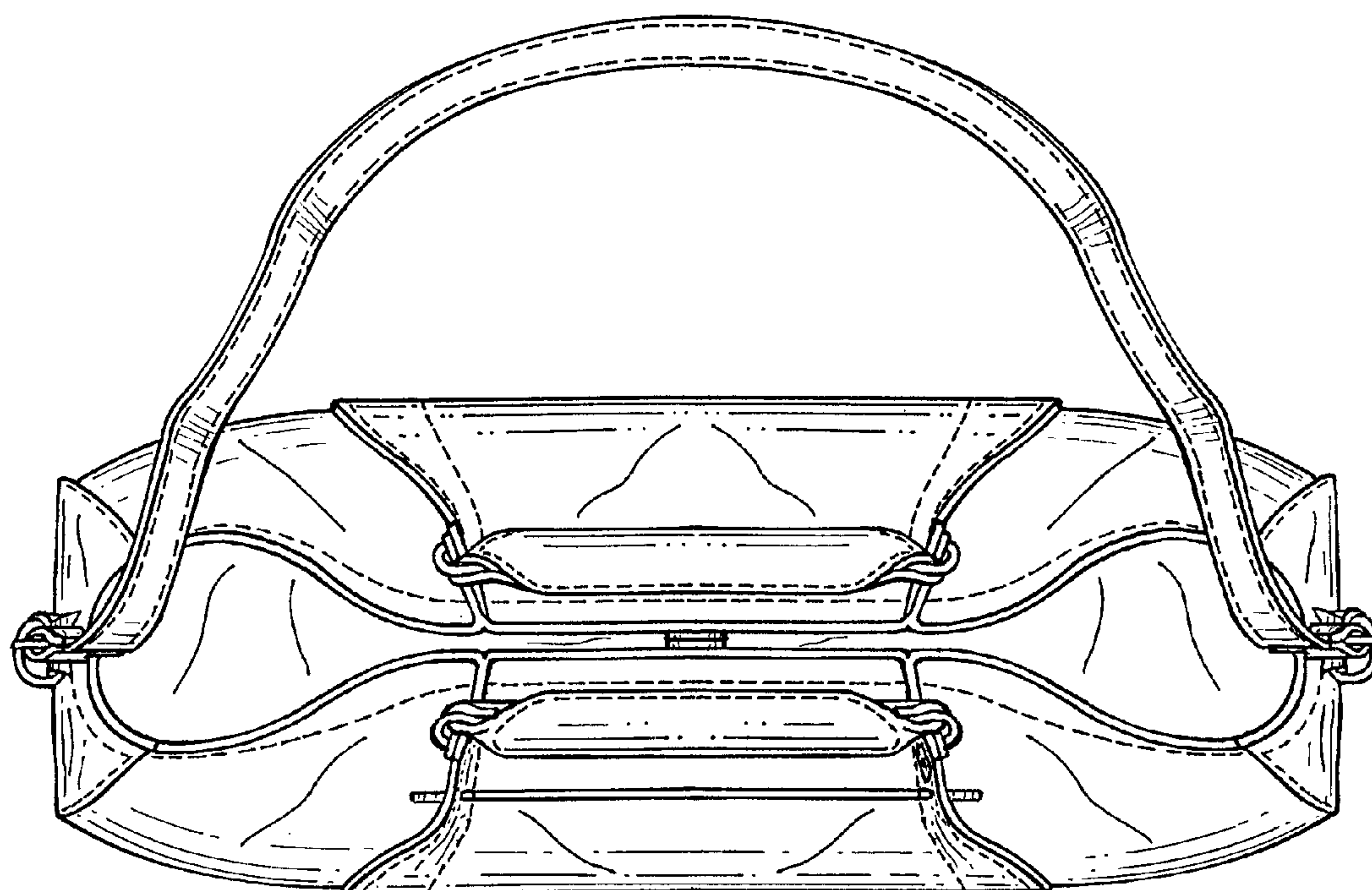
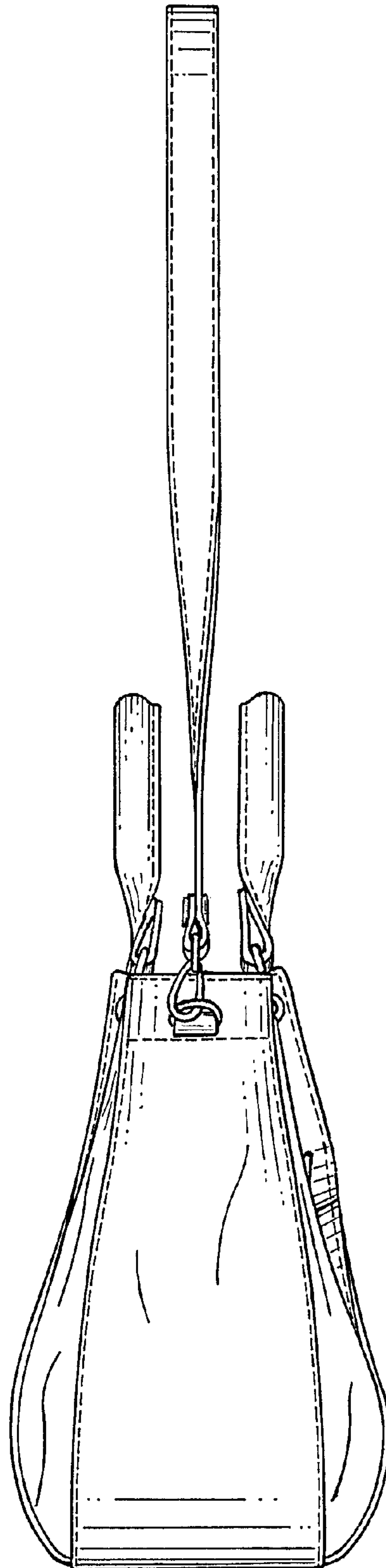


FIG. 2

FIG. 3



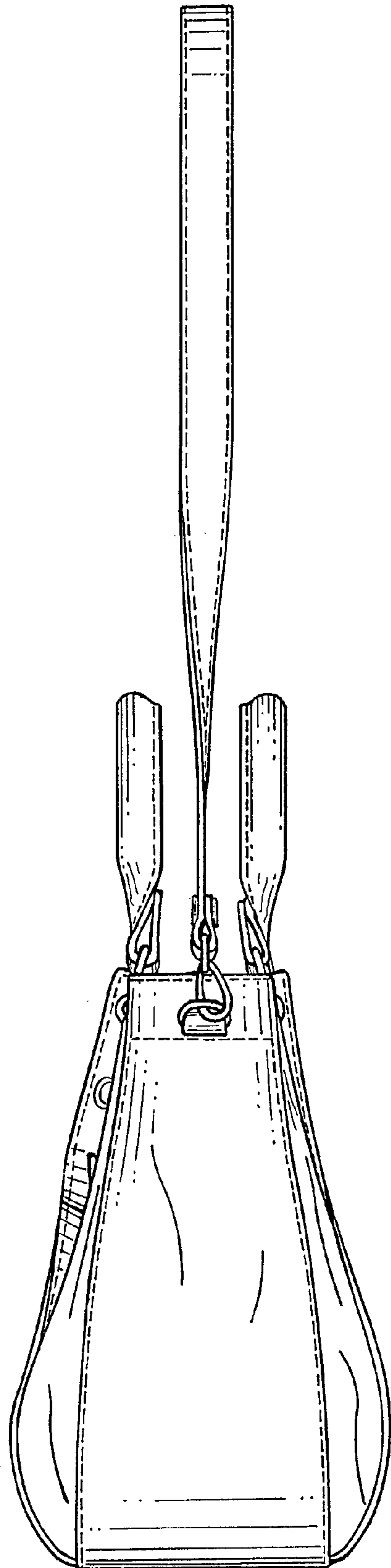
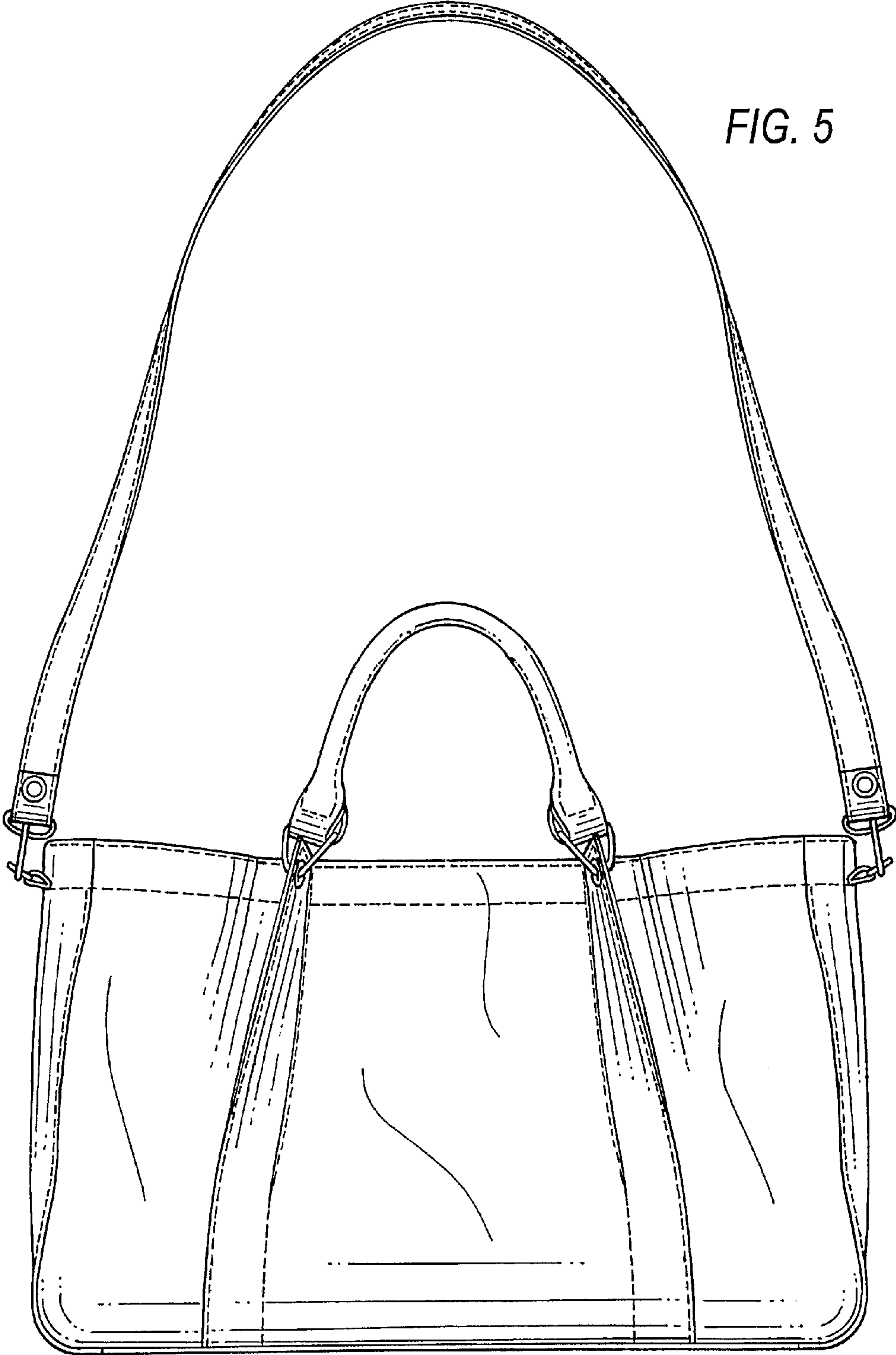


FIG. 4



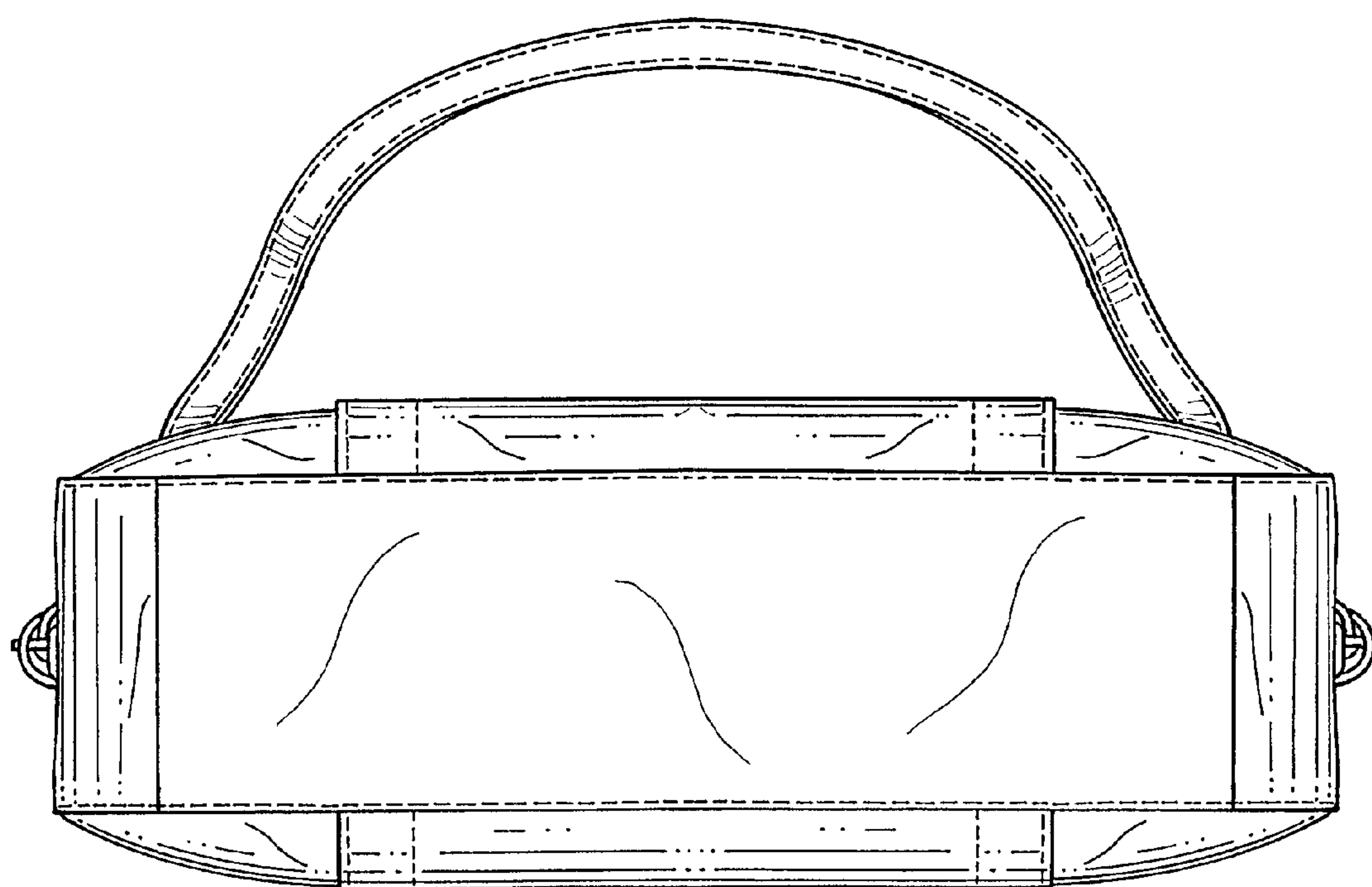


FIG. 6