



US00D696860S

(12) **United States Design Patent**  
**Guyon et al.**

(10) **Patent No.:** **US D696,860 S**  
(45) **Date of Patent:** **\*\* Jan. 7, 2014**

(54) **HANDBAG**  
(71) Applicant: **S.A.S. Jean Cassegrain**, Paris (FR)  
(72) Inventors: **Isabelle Guyon**, Paris (FR); **Sophie Delafontaine**, Paris (FR); **Philippe Cassegrain**, Paris (FR)  
(73) Assignee: **S.A.S. Jean Cassegrain**, Paris (FR)  
(\*\*) Term: **14 Years**

D539,536 S 4/2007 Guyon et al.  
D570,107 S 6/2008 Guyon et al.  
D609,905 S 2/2010 Guyon et al.  
D609,906 S 2/2010 Guyon et al.  
D609,907 S 2/2010 Guyon et al.  
D618,457 S 6/2010 Guyon et al.  
D624,312 S \* 9/2010 Chu et al. .... D3/243  
D626,331 S 11/2010 Guyon et al.  
D634,119 S 3/2011 Guyon et al.  
D634,928 S 3/2011 Guyon et al.  
D635,357 S 4/2011 Guyon et al.  
D635,358 S 4/2011 Guyon et al.

(Continued)

(21) Appl. No.: **29/438,803**

**OTHER PUBLICATIONS**

(22) Filed: **Dec. 4, 2012**

“Collection Printemps”, Longchamp, Paris, 2012.

(30) **Foreign Application Priority Data**

(Continued)

Jun. 6, 2012 (EP) ..... 002053504

(51) **LOC (10) Cl.** ..... **03-01**

(52) **U.S. Cl.**  
USPC ..... **D3/243**

(58) **Field of Classification Search**  
USPC ..... D3/232–233, 240–243, 245–246;  
150/100, 103–110, 113–114, 117–119  
See application file for complete search history.

*Primary Examiner* — Holly Baynham

(74) *Attorney, Agent, or Firm* — Gottlieb, Rackman & Reisman, P.C.

(57) **CLAIM**

The ornamental design for a handbag, as shown and described.

**DESCRIPTION**

(56) **References Cited**

**U.S. PATENT DOCUMENTS**

D377,415 S \* 1/1997 Jacobs et al. .... D3/206  
D461,953 S 8/2002 Guyon et al.  
D489,895 S 5/2004 Guyon  
D502,314 S 3/2005 Cassegrain  
D534,348 S 1/2007 Guyon  
D534,350 S 1/2007 Guyon  
D534,352 S 1/2007 Delafontaine  
D535,474 S 1/2007 Guyon  
D535,475 S 1/2007 Delafontaine  
D535,819 S 1/2007 Guyon  
D539,032 S 3/2007 Guyon  
D539,534 S 4/2007 Delafontaine  
D539,535 S 4/2007 Guyon

FIG. 1 is a front elevational view of the handbag showing our new design;

FIG. 2 is a top plan view thereof;

FIG. 3 is a right side elevational view thereof;

FIG. 4 is a left side elevational view thereof;

FIG. 5 is a rear elevational view thereof; and,

FIG. 6 is a bottom plan view thereof.

The broken lines in FIGS. 1-6 show the stitching and are part of the claimed design, and the broken lines in FIGS. 1, 3, 4, 5 and 6 showing supporting legs at the bottom of the handbag are for the purpose of illustrating environment and form no part of the claimed design.

**1 Claim, 4 Drawing Sheets**



(56)

**References Cited**

D670,908 S 11/2012 Guyon et al.

U.S. PATENT DOCUMENTS

OTHER PUBLICATIONS

D648,122 S 11/2011 Guyon et al.  
D648,123 S 11/2011 Guyon et al.  
D654,267 S \* 2/2012 Littleton ..... D3/243  
D656,727 S 4/2012 Guyon et al.  
D657,140 S 4/2012 Guyon et al.  
D657,556 S 4/2012 Guyon et al.  
D670,078 S 11/2012 Guyon et al.

“More-Is-More”, Collection Automne, Longchamp, Paris, 2012.  
“Collection Printemps”, Longchamp, Paris, 2013.

\* cited by examiner

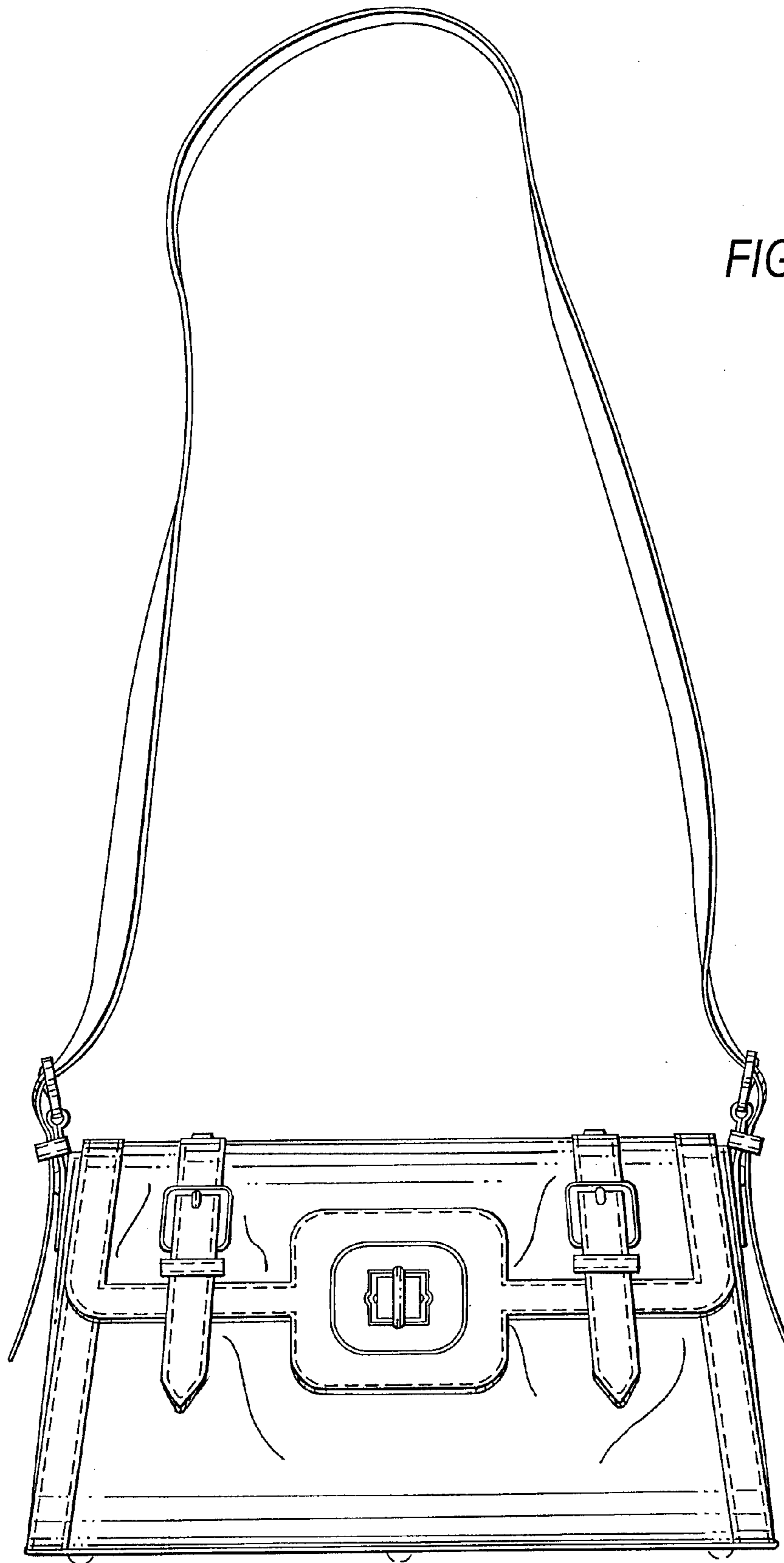


FIG. 1

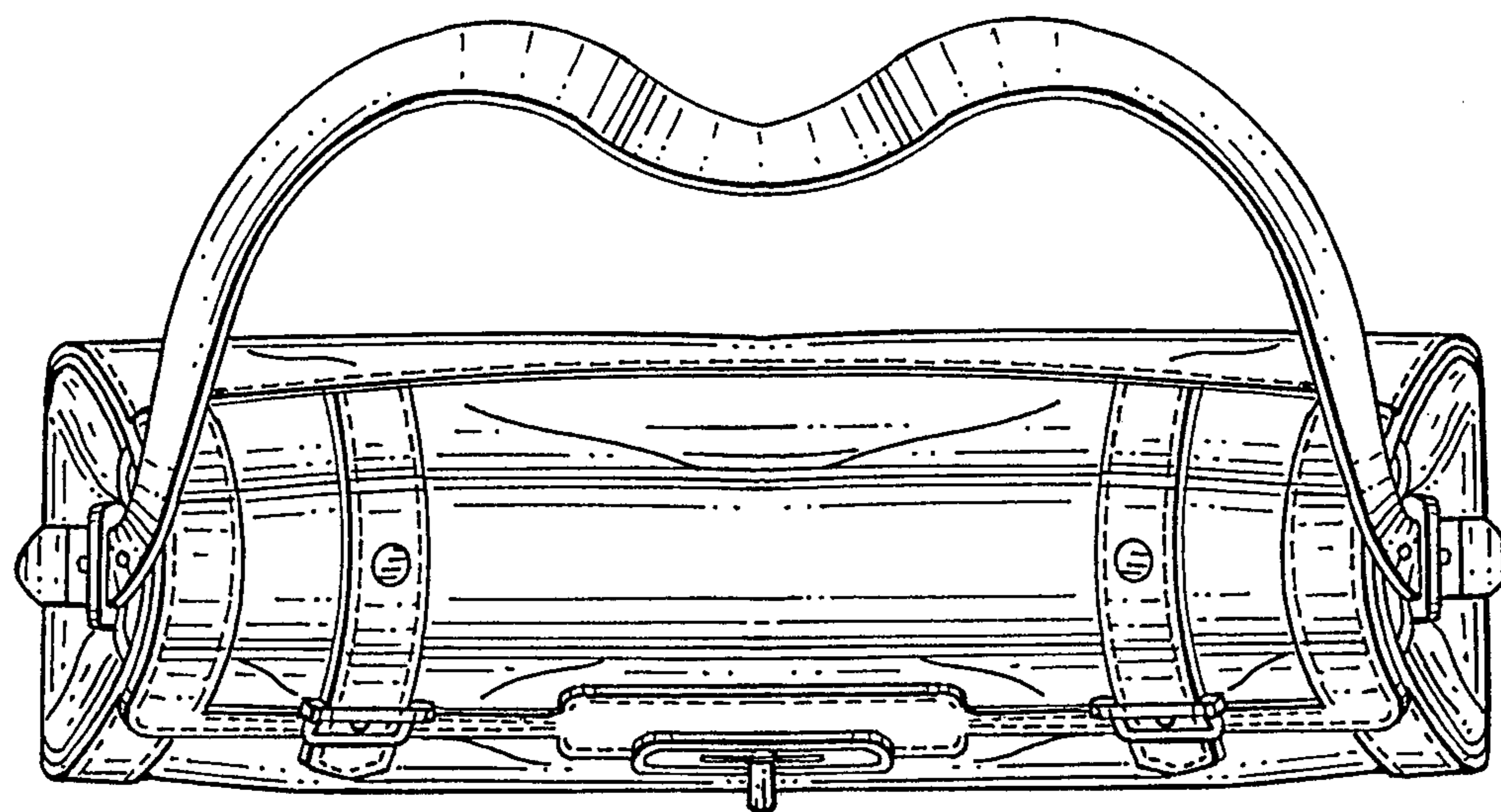


FIG. 2

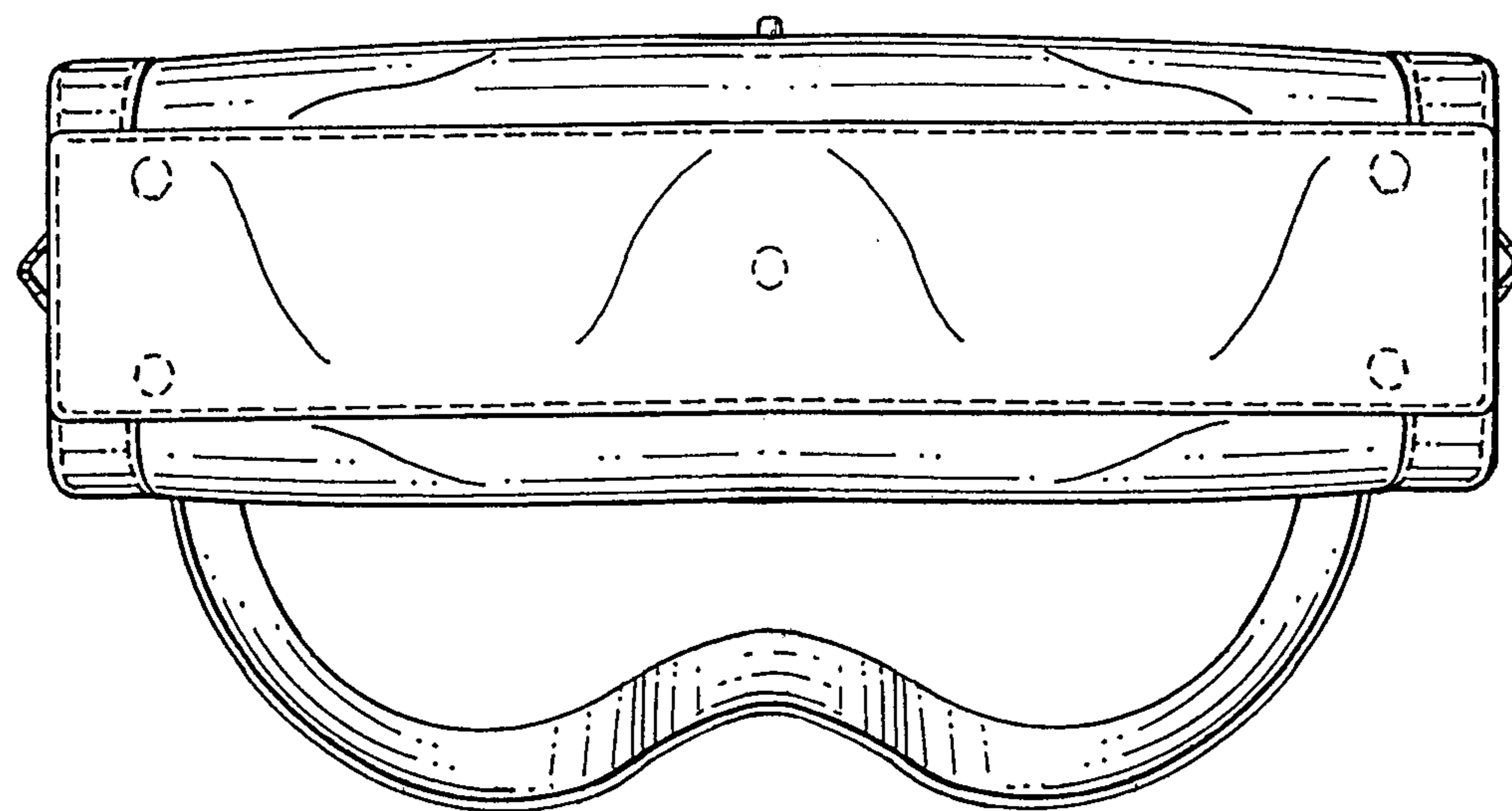


FIG. 6

FIG. 3

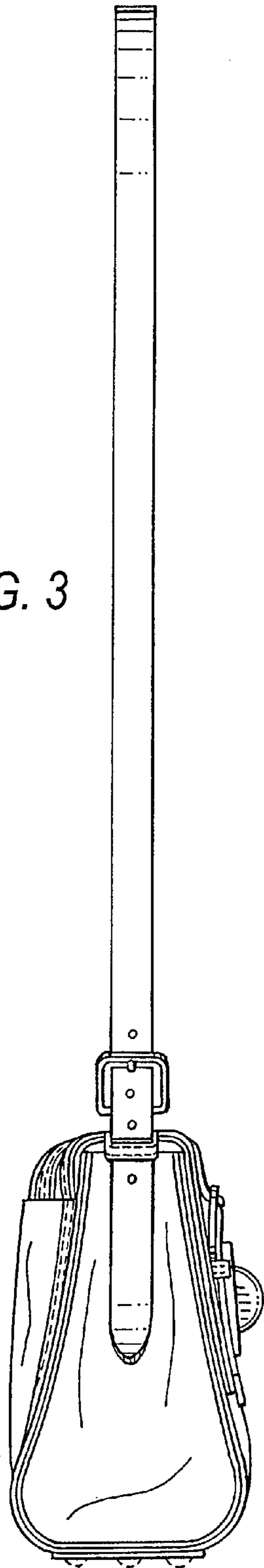


FIG. 4

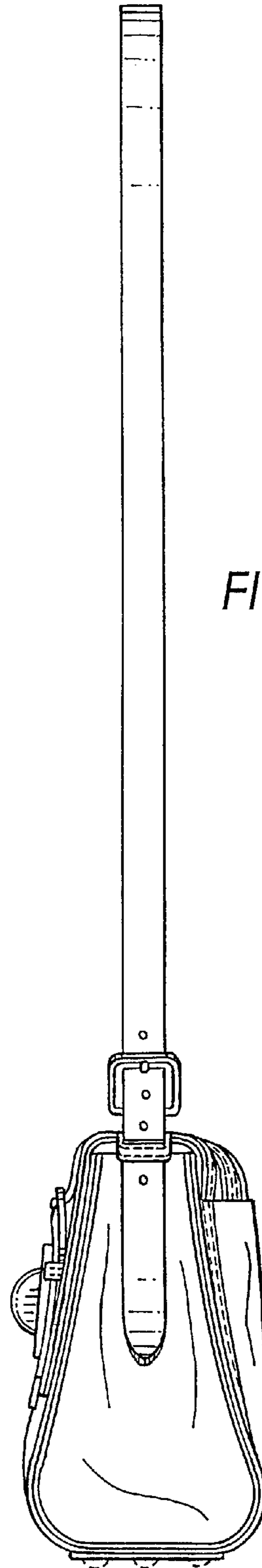




FIG. 5