



US00D696841S

(12) **United States Design Patent**
Wilson

(10) **Patent No.:** **US D696,841 S**
(45) **Date of Patent:** **** Jan. 7, 2014**

(54) **BRITISH FLAG NOVELTY HEADWEAR**

(71) Applicant: **Gregg Wilson**, Dallas, TX (US)

(72) Inventor: **Gregg Wilson**, Dallas, TX (US)

(73) Assignee: **Wreckin' Ball Helmets, LLC**, Dallas, TX (US)

(**) Term: **14 Years**

(21) Appl. No.: **29/450,541**

(22) Filed: **Mar. 19, 2013**

Related U.S. Application Data

(63) Continuation-in-part of application No. 29/382,838, filed on Jan. 7, 2011, now abandoned.

(51) **LOC (10) Cl.** **02-03**

(52) **U.S. Cl.**
USPC **D2/870**

(58) **Field of Classification Search**

USPC D2/865, 866, 868, 869, 870, 871, 872, D2/873, 874, 878, 879, 880, 881, 882, 886, D2/887, 888, 889, 890; D11/121, 125, D11/167, 180; D21/708; D29/102, 103, D29/104, 105, 106, 107, 108, 109, 110; 2/68, 171, 410, 411, 425

See application file for complete search history.

(56) **References Cited**

U.S. PATENT DOCUMENTS

D52,681 S * 11/1918 Shainmark et al. D11/166
D53,293 S * 5/1919 Creange D11/167
D53,325 S * 5/1919 Waterhouse D11/167
D53,374 S * 5/1919 Mirabito D11/167

D56,123 S * 8/1920 Forbes D2/867
3,259,912 A * 7/1966 Lima et al. 2/68
5,343,569 A * 9/1994 Asare et al. 2/412

(Continued)

FOREIGN PATENT DOCUMENTS

ES D0515267-12 * 7/2012

OTHER PUBLICATIONS

Airbrushed Full Face British Flag Helmet [on-line]; posted to the Internet on Apr. 24, 2009; retrieved from the Internet on Sep. 6, 2013; URL: >http://www.be-unique.com/airbrush/helmets_airbrushing.asp?Page=2&ShowSub=fullfacehelmets<. (4 pages).*

(Continued)

Primary Examiner — Karen E Eldridge Powers

(74) *Attorney, Agent, or Firm* — Gunn, Lee & Cave, P.C.; Robert L. McRae

(57) **CLAIM**

The ornamental design for a British flag novelty headwear, as shown and described.

DESCRIPTION

FIG. 1 is a front elevation view of the British flag novelty headwear showing my new design.

FIG. 2 is a top plan view of the design of FIG. 1.

FIG. 3 is a left side elevation view of the design of FIG. 1.

FIG. 4 is a rear elevation view of the design of FIG. 1.

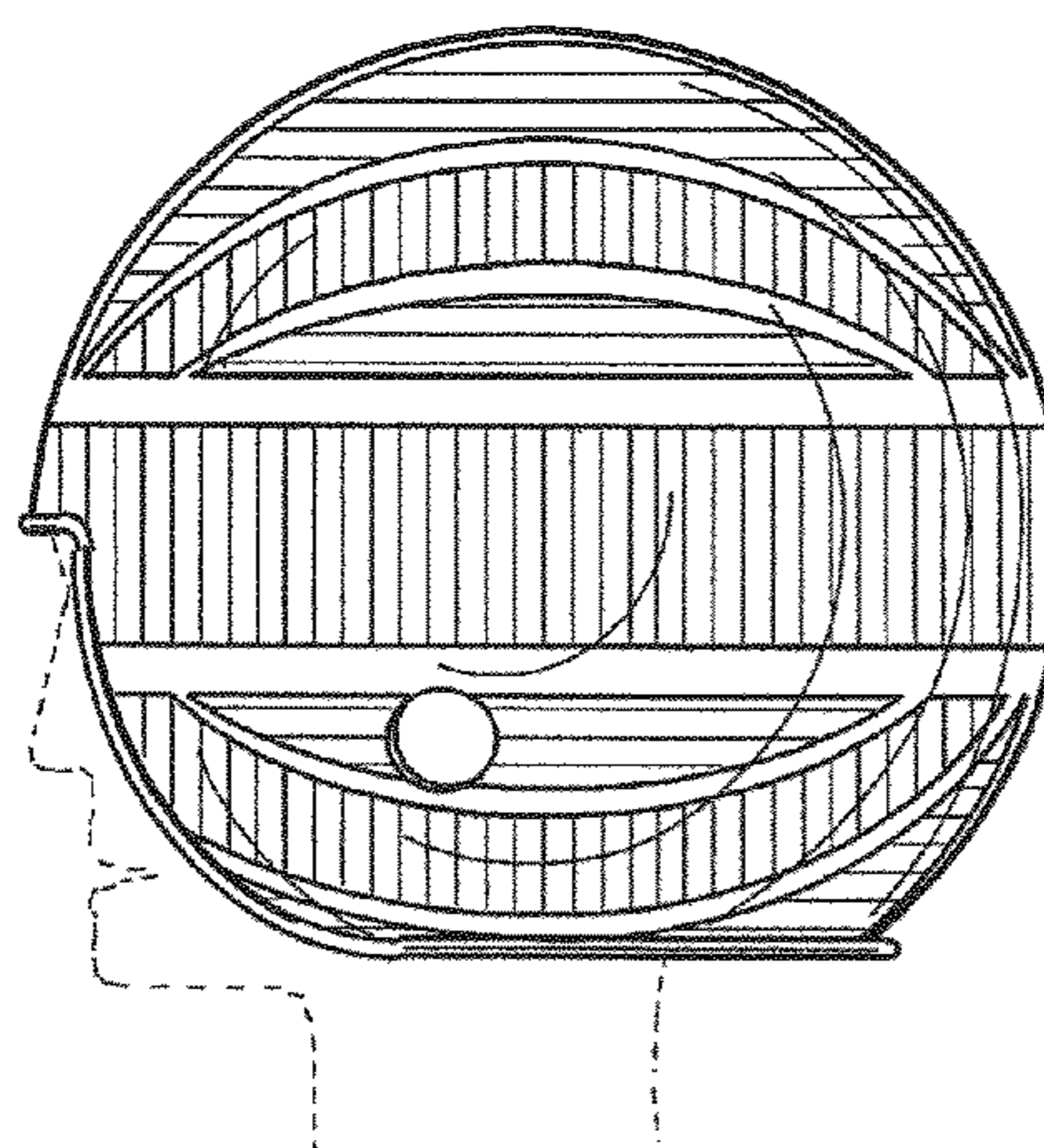
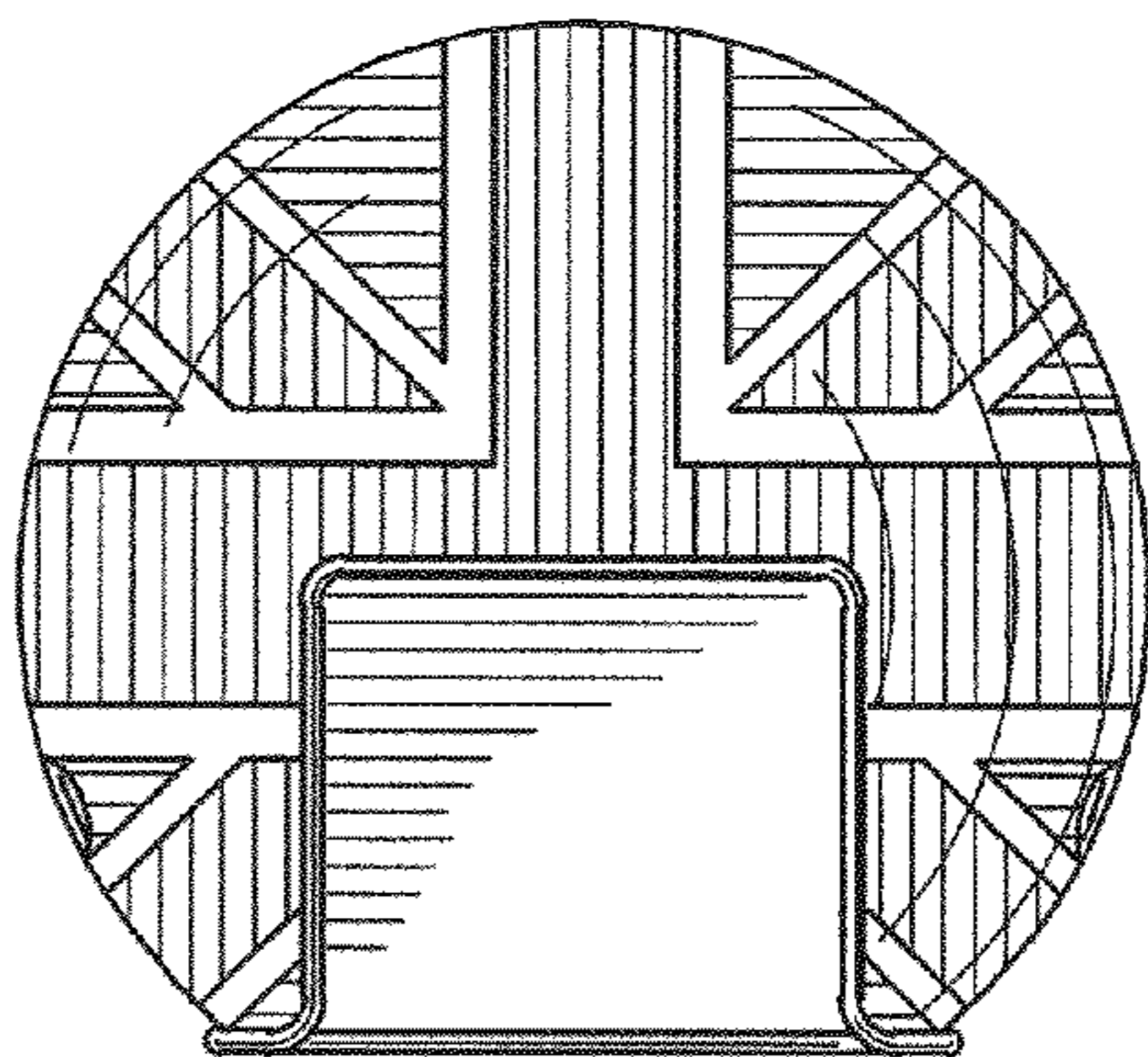
FIG. 5 is a right side elevation view of the design of FIG. 1; and,

FIG. 6 is a bottom plan view of the design of FIG. 1.

The human head shown in broken lines in FIG. 3 forms no part of the claimed design and is included to illustrate the environment in which the design is used and assists in showing how the claimed design appears when worn.

The drawings are lined for color.

1 Claim, 2 Drawing Sheets



(56)

References Cited

OTHER PUBLICATIONS

U.S. PATENT DOCUMENTS

D369,015	S	*	4/1996	Griffin, Jr.	D2/869
D449,653	S	*	10/2001	Curry	D20/11
D634,516	S	*	3/2011	Wilson	D2/870
D672,533	S	*	12/2012	Wilson	D2/870
D683,108	S	*	5/2013	Wilson	D2/870
D686,394	S	*	7/2013	Wilson	D2/870
D686,395	S	*	7/2013	Wilson	D2/870

Glazed steel motorcycle helmet [on-line]; retrieved from the Internet on Sep. 6, 2013; URL: ><http://www.aliexpress.com/item/Glazed-steel-motorcycle-helmet-marushin-c129-cool-vintage-national-flag-flower/<>. (8 pages).*

* cited by examiner

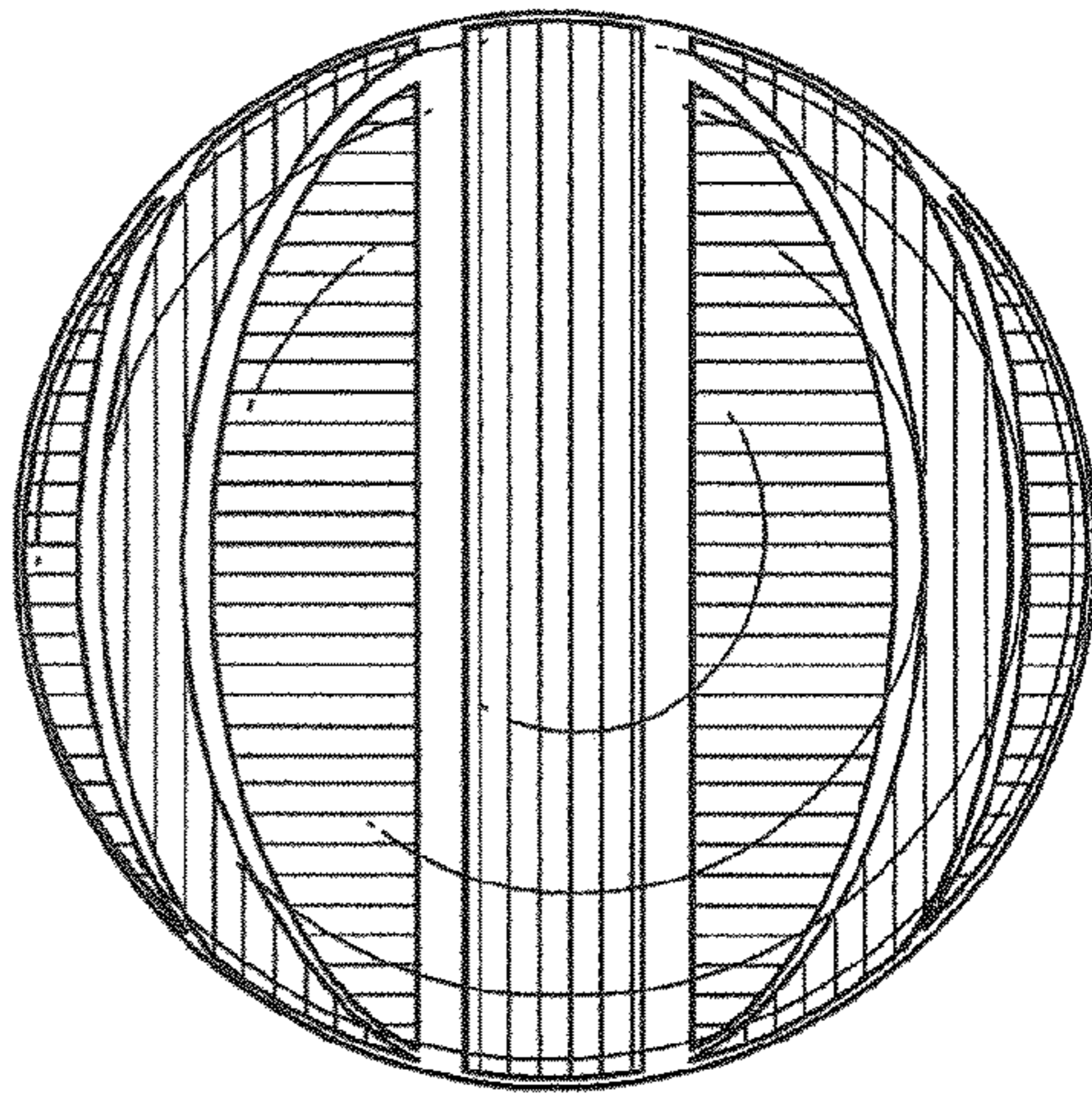


Fig. 2

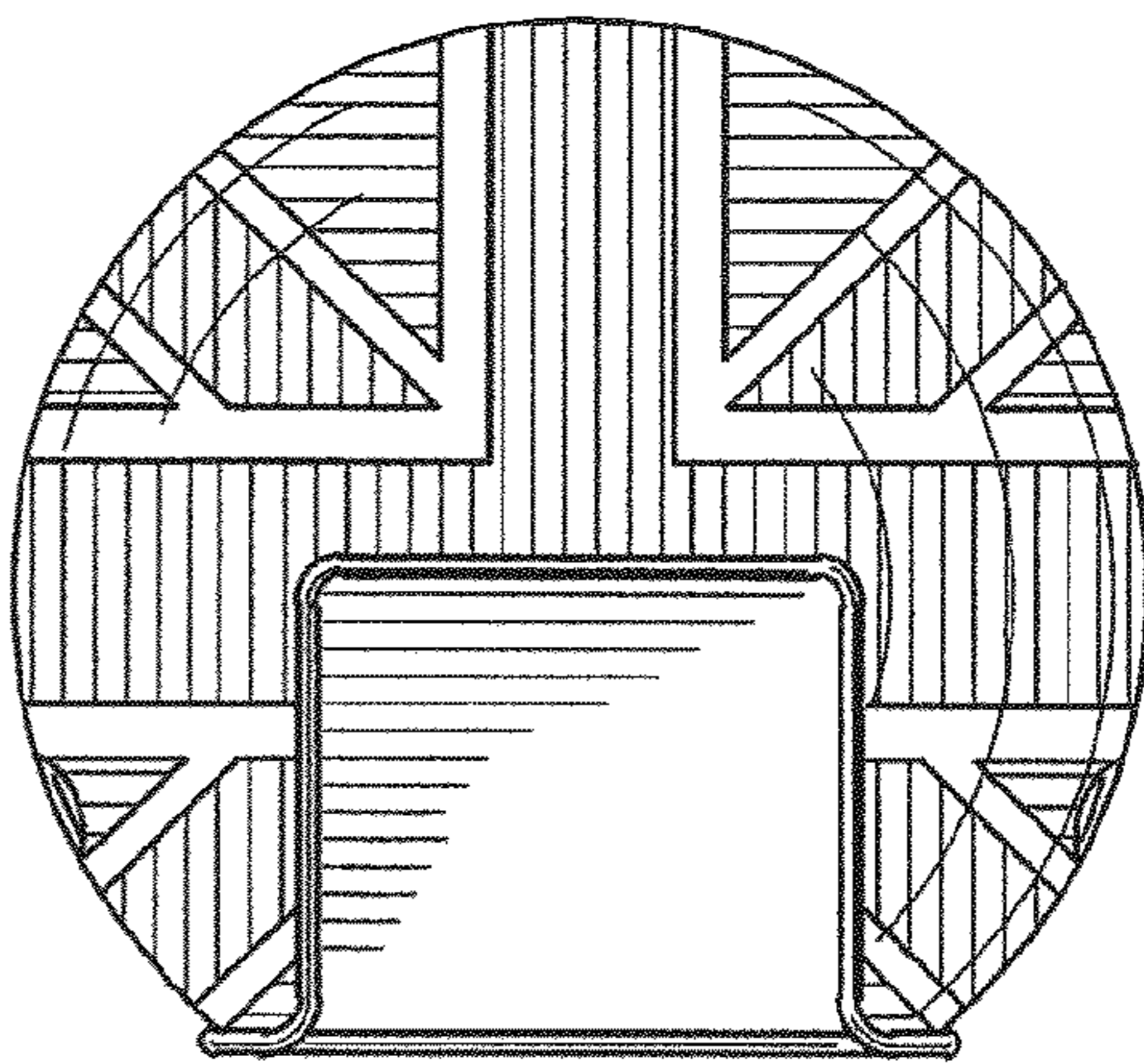


Fig. 1

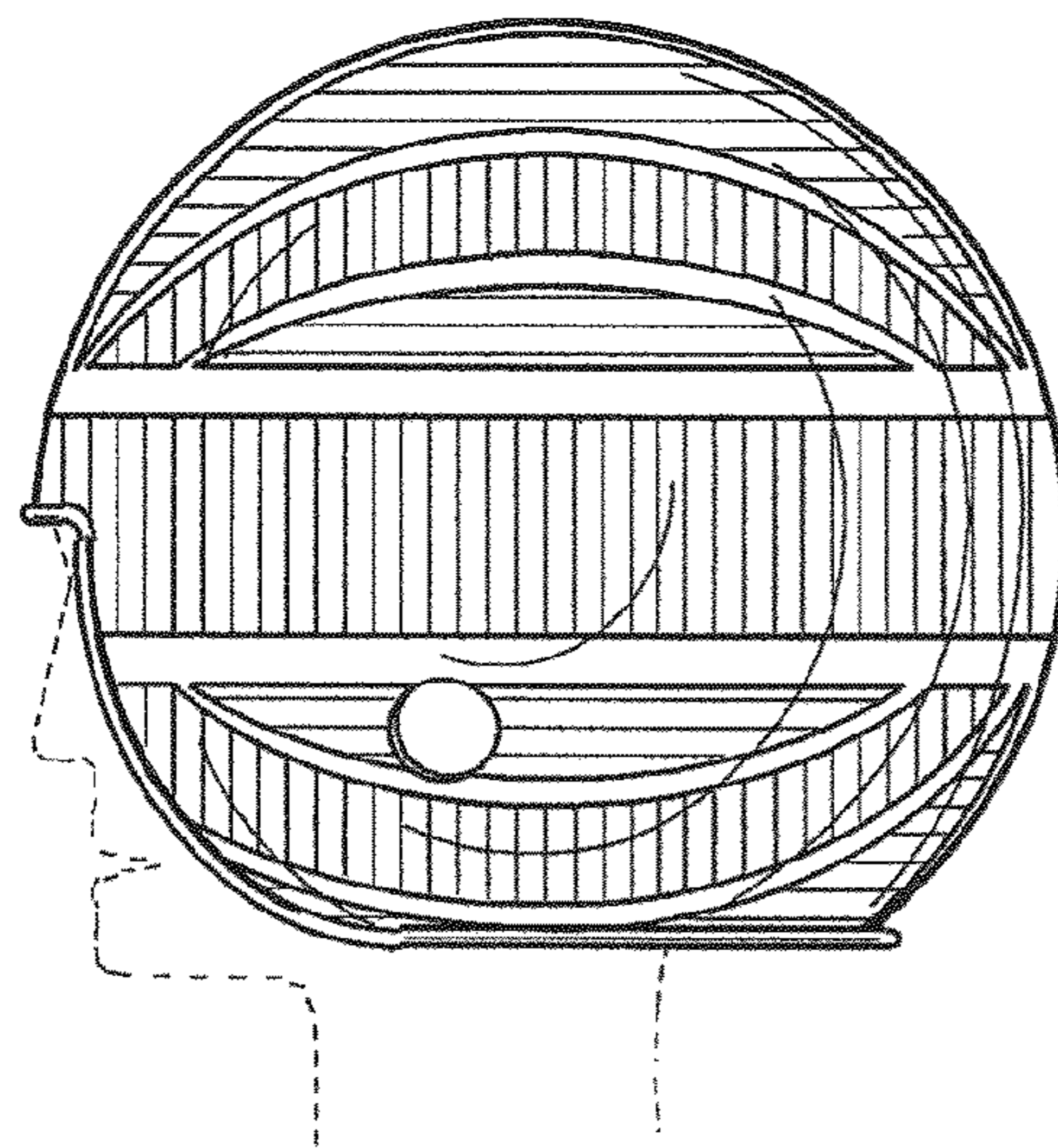


Fig. 3

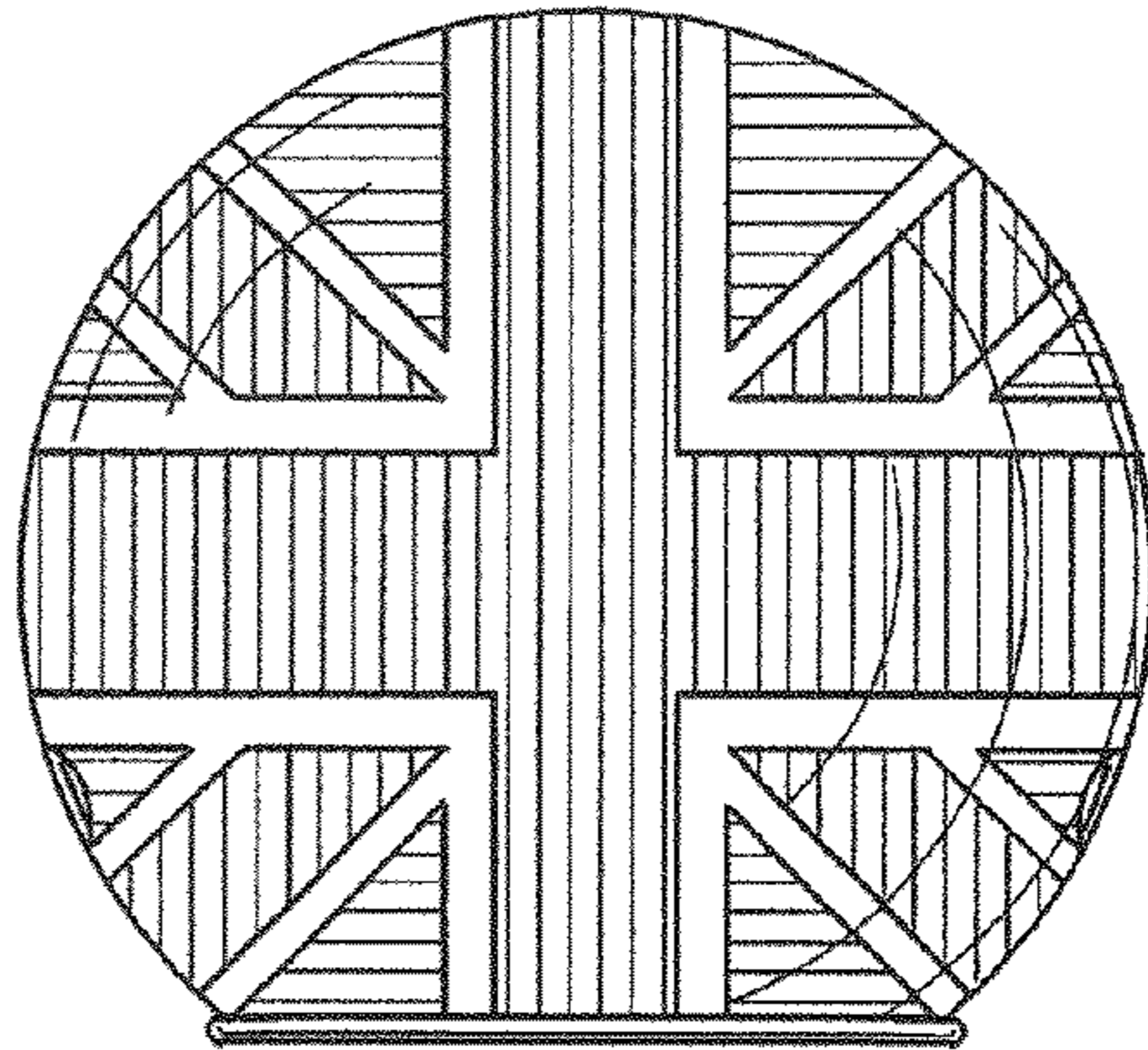


Fig. 4

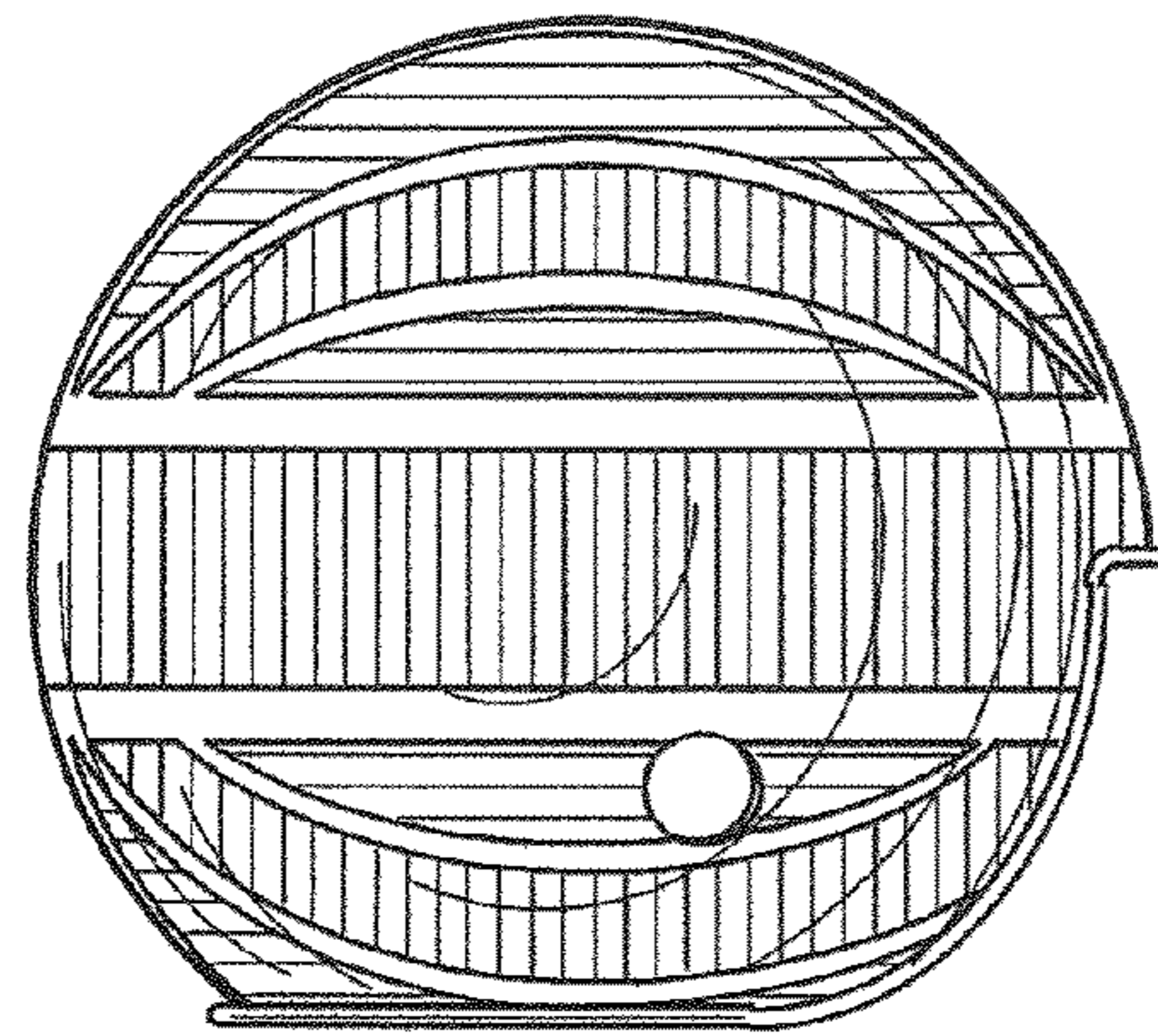


Fig. 5

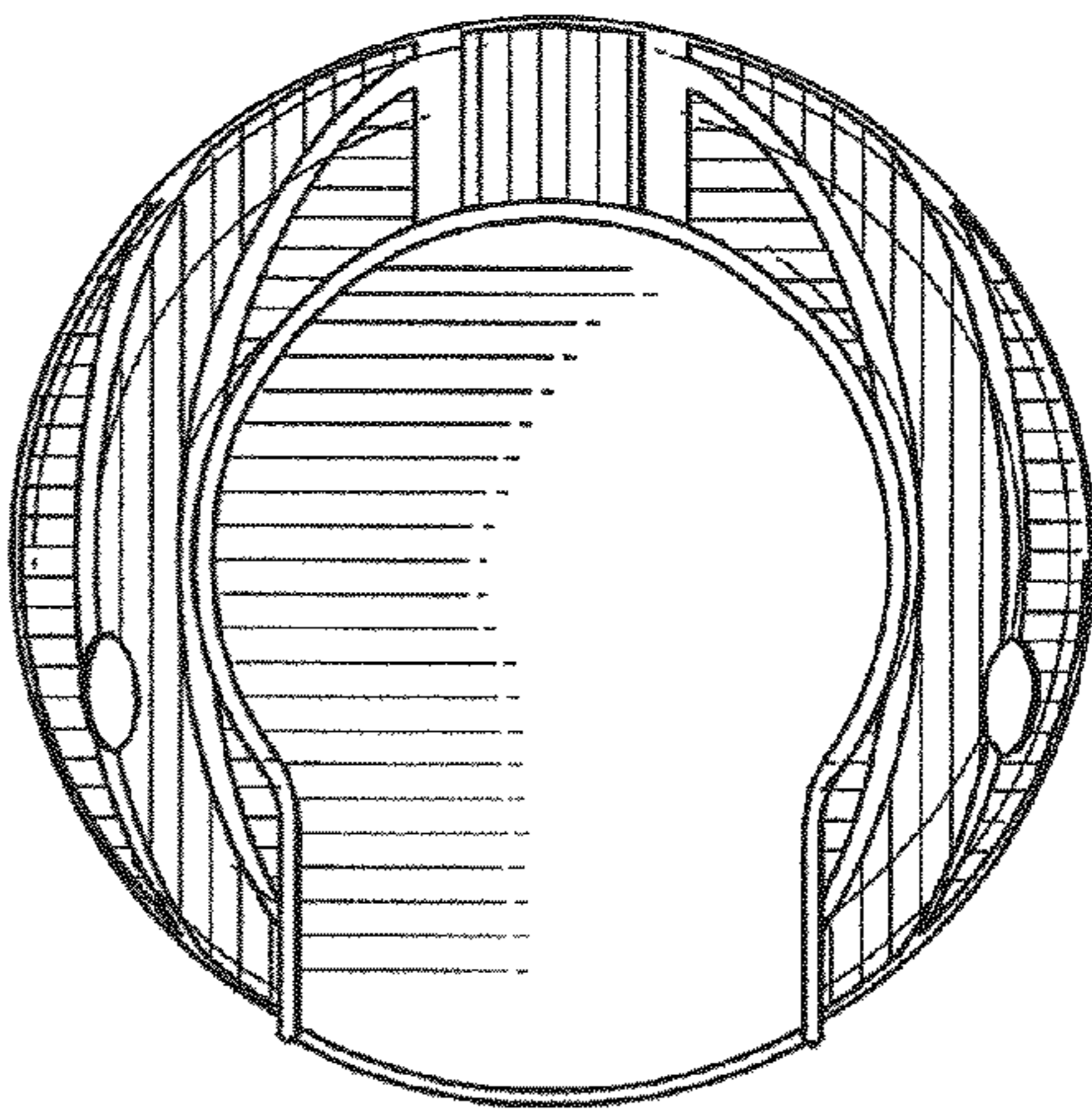


Fig. 6