



US00D696840S

(12) **United States Design Patent**
Brown

(10) **Patent No.:** **US D696,840 S**
(45) **Date of Patent:** **** Jan. 7, 2014**

(54) **PADDED COAT**

(71) Applicant: **Emma Jane Brown,**
Stratford-upon-Avon (GB)

(72) Inventor: **Emma Jane Brown,**
Stratford-upon-Avon (GB)

(**) Term: **14 Years**

(21) Appl. No.: **29/449,260**

(22) Filed: **Mar. 14, 2013**

2,422,779 A	6/1947	Fligel	
RE22,906 E	8/1947	Sholder	
2,462,361 A *	2/1949	Cassens	2/108
D153,438 S	4/1949	Kratz	
2,468,915 A	5/1949	Bayless	
D178,744 S	9/1956	Warmflash	
D181,082 S	9/1957	Warmflash	
D181,802 S	12/1957	McElreath	
2,919,443 A	5/1960	Kashiyama	
D235,590 S	7/1975	Naumovski	
D243,724 S *	3/1977	Schaefer	D2/839
D257,571 S	12/1980	Inoue	
D266,880 S	11/1982	Luhtala	

(Continued)

Related U.S. Application Data

(63) Continuation of application No. 29/390,559, filed on
Apr. 26, 2011, now abandoned.

Foreign Application Priority Data

Oct. 27, 2010 (EM) 001241871-0002

(51) **LOC (10) Cl.** **02-02**

(52) **U.S. Cl.**
USPC **D2/839**

(58) **Field of Classification Search**
USPC D2/750, 755, 828, 830, 834, 836, 839;
2/93, 94, 96, 98, 108
See application file for complete search history.

(56) **References Cited**

U.S. PATENT DOCUMENTS

1,667,220 A	4/1928	Rifken	
D86,976 S *	5/1932	Raymond	D2/839
2,042,282 A	5/1936	Tworoger	
D116,885 S	9/1939	Nieberg	
2,180,914 A	11/1939	Speh	
D119,122 S *	2/1940	Bauer	D2/839
D120,711 S	5/1940	Speh	
D130,637 S	12/1941	Speh	
D131,396 S	2/1942	Speh	
2,324,722 A	7/1943	Papierniak	
2,358,137 A	9/1944	Bard et al.	

FOREIGN PATENT DOCUMENTS

JP 2003096605 A * 4/2003

OTHER PUBLICATIONS

U.S. Appl. No. 29/390,556, filed Apr. 26, 2011, Brown.
U.S. Appl. No. 29/390,557, filed Apr. 26, 2011, Brown.

(Continued)

Primary Examiner — Rashida Johnson
(74) *Attorney, Agent, or Firm* — Wells St. John P.S.

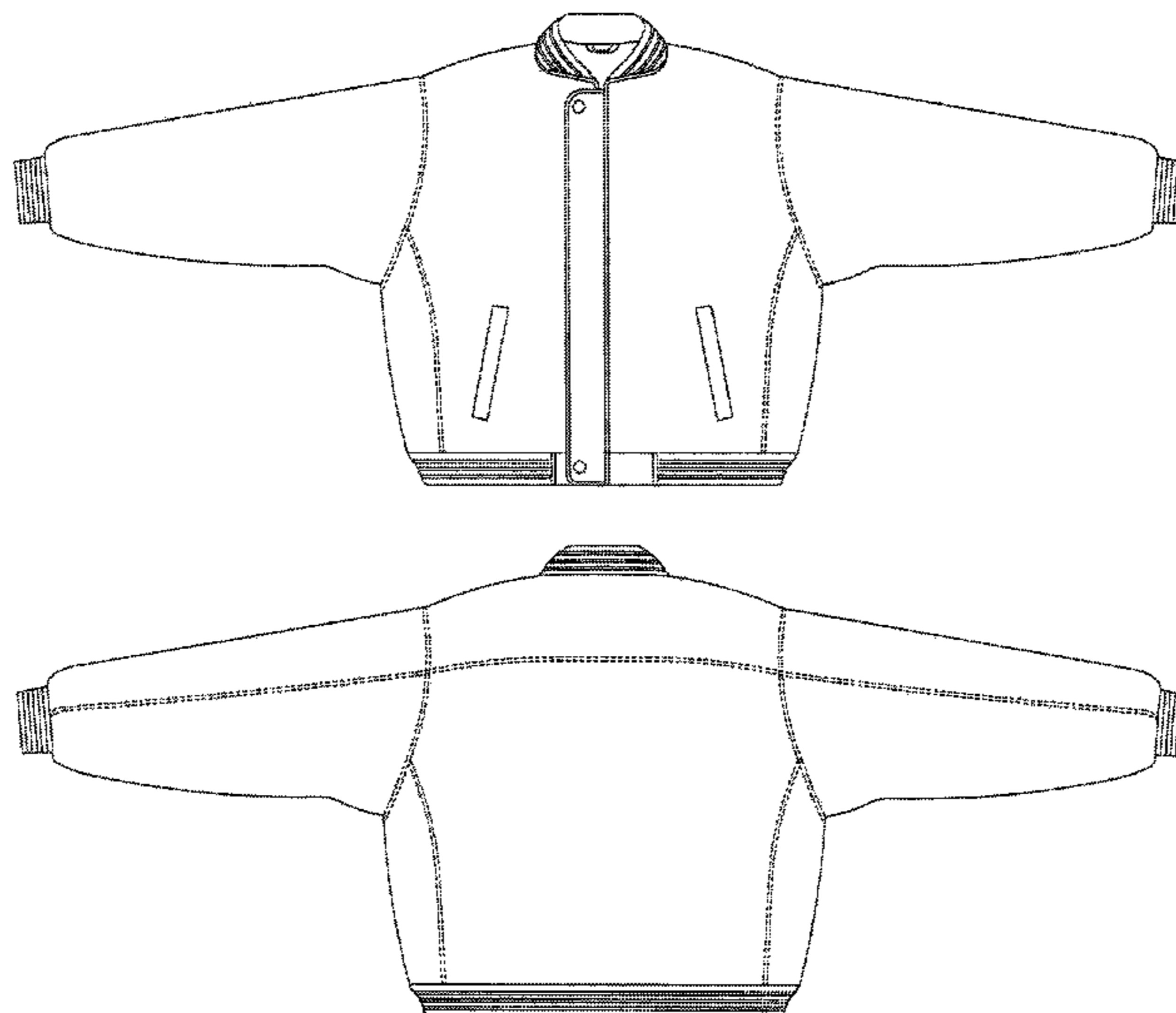
(57) **CLAIM**

I claim the ornamental design for a padded coat, as shown and described.

DESCRIPTION

FIG. 1 is a front view of a padded coat showing my new design.
FIG. 2 is rear view thereof.
FIG. 3 is another front view thereof; the padded coat opened, showing the interior surfaces; and,
FIG. 4 is an enlarged partial view of the right sleeve of the coat, turned inside out to show additional padding.
The broken lines in FIGS. 1-4 represent stitching.

1 Claim, 4 Drawing Sheets



(56)

References Cited

U.S. PATENT DOCUMENTS

D270,585 S 9/1983 Viio
 4,646,366 A * 3/1987 Nishida et al. 2/108
 D289,941 S 5/1987 Felder
 4,875,237 A 10/1989 Cohen
 D305,825 S 2/1990 Tenore
 D306,511 S 3/1990 Jones
 D339,221 S 9/1993 Olajide
 5,384,915 A * 1/1995 Rodriguez 2/93
 D387,190 S 12/1997 Garcia
 D416,125 S 11/1999 Falk et al.
 5,996,122 A 12/1999 Aldridge et al.
 D421,329 S 3/2000 Adams
 D428,548 S 7/2000 Hosogai
 D439,727 S 4/2001 Hosogai
 6,668,381 B2 12/2003 Tarrell
 D498,037 S 11/2004 Bay
 D509,644 S 9/2005 Eukpeeh-Lloyd
 D530,060 S 10/2006 Quintero
 D536,859 S 2/2007 Carreras
 D551,429 S 9/2007 Wager
 D598,639 S 8/2009 Holder
 D621,132 S 8/2010 Crisp
 D622,937 S 9/2010 Bay
 7,886,368 B2 2/2011 Hood
 D637,377 S 5/2011 Herten
 D639,025 S 6/2011 Holder
 D645,230 S 9/2011 Rushworth
 D653,836 S 2/2012 Woyshner et al.
 D662,282 S 6/2012 Meunier-Bouchard
 2006/0143774 A1 7/2006 Walsh et al.
 2009/0044310 A1 2/2009 Baacke

2011/0000944 A1 1/2011 Hood
 2011/0010818 A1 1/2011 Hood
 2013/0232673 A1 9/2013 Johnson et al.

OTHER PUBLICATIONS

U.S. Appl. No. 29/390,558, filed Apr. 26, 2011, Brown.
 U.S. Appl. No. 29/390,559, filed Apr. 26, 2011, Brown.
 3 Jacket Styles Every Women (sic) Should Own, [online], published on Apr. 2009, retrieved on Oct. 1, 2012. <URL: <http://thegloss.com/fashion/3-jacket-styles-every-woman-should-own/>>, 1 page.
 Calvin Klein Jeans Women's Highway Wash Jean Jacket, [online], crawled on Nov. 29, 2009, retrieved on Oct. 1, 2012, <URL: <http://web.archive.org/web/20091129125150/http://www.overstock.com/Clothing-Shoes/Clavin-Klein-Jeans-Womens-Highway-Wash-Jean>>, 1 page.
 Dandy pants: Jul. 2009 [online], published on Jul. 4, 2009, retrieved on Oct. 1, 2012. <URL: http://danypants.blogspot.com/2009_07_01_archive.html>, 1 page.
 Faded Glory: Denim Lightens Up For Spring, [online], published on May 19, 2009, retrieved on Oct. 1, 2012/ <URL: <http://www.refinery29.com/faded-glory-denim-lightens-up>>, 1 page.
 Levi's F/W09 Denim Trucker Jacket, [online], published on Jun. 24, 2009, retrieved on Oct. 2, 2012 <URL: <http://fluxuryb.com/2009/06/levis-fw09-denim-trucker-jacket/>>, 1 page.
 Longhorn's Vintage Clothing, [online], published on Jul. 27, 2012, retrieved on Oct. 2, 2012 <URL: <http://longhornvintage.blogspot.com/2010/02/item-10-b-0004-vintage-50s60s-levis-557.html>>, 1 page.
 Sohney Industries. http://sohney.trustpass.alibaba.com/productsshowimg/112638144-1013385/Varsity_Jackets_Baseball_J Date Unknown: Viewed Sep. 2012. "Varsity Jacket", 1 page.
 Tek-9. http://www.tek-9.org/forum/off_topic-22/what_you_last_bought-74078.html?page=23. Date Unknown: Viewed Sep. 2012, Jacket, 1 page.

* cited by examiner

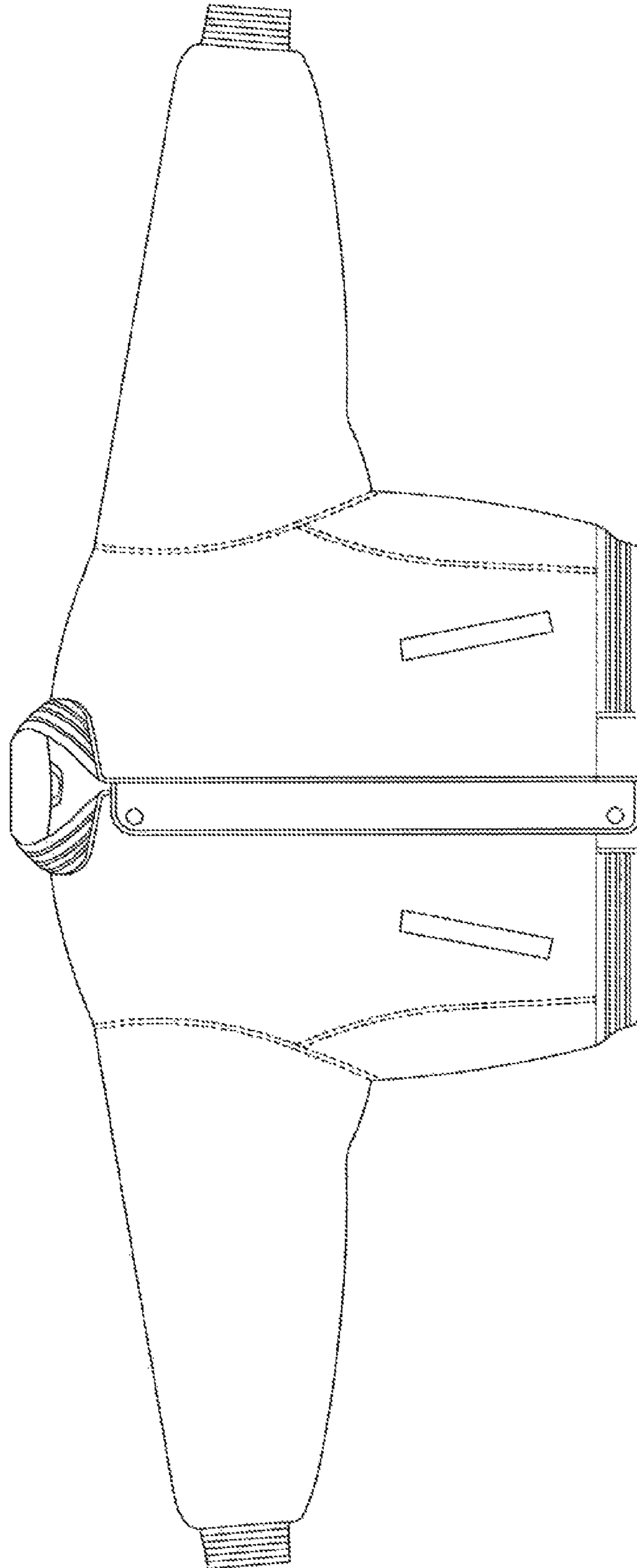


FIG. 1

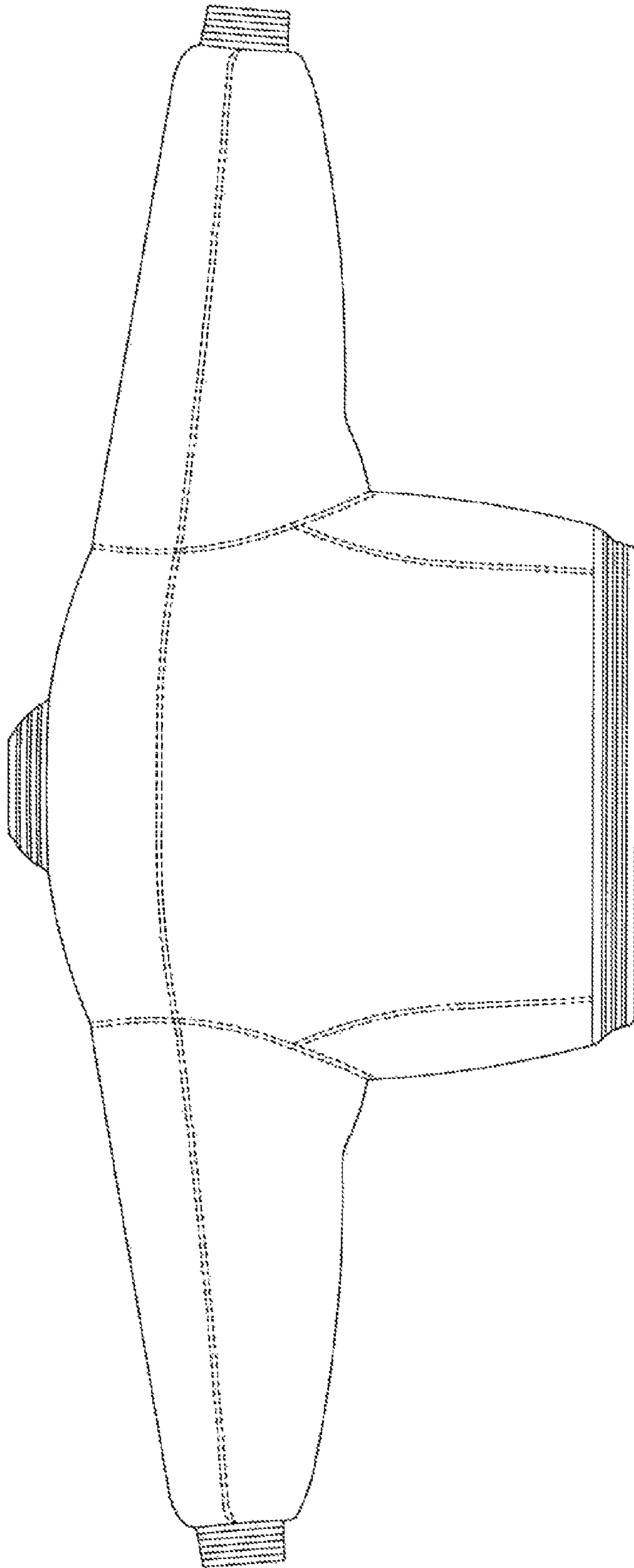


FIG. 2

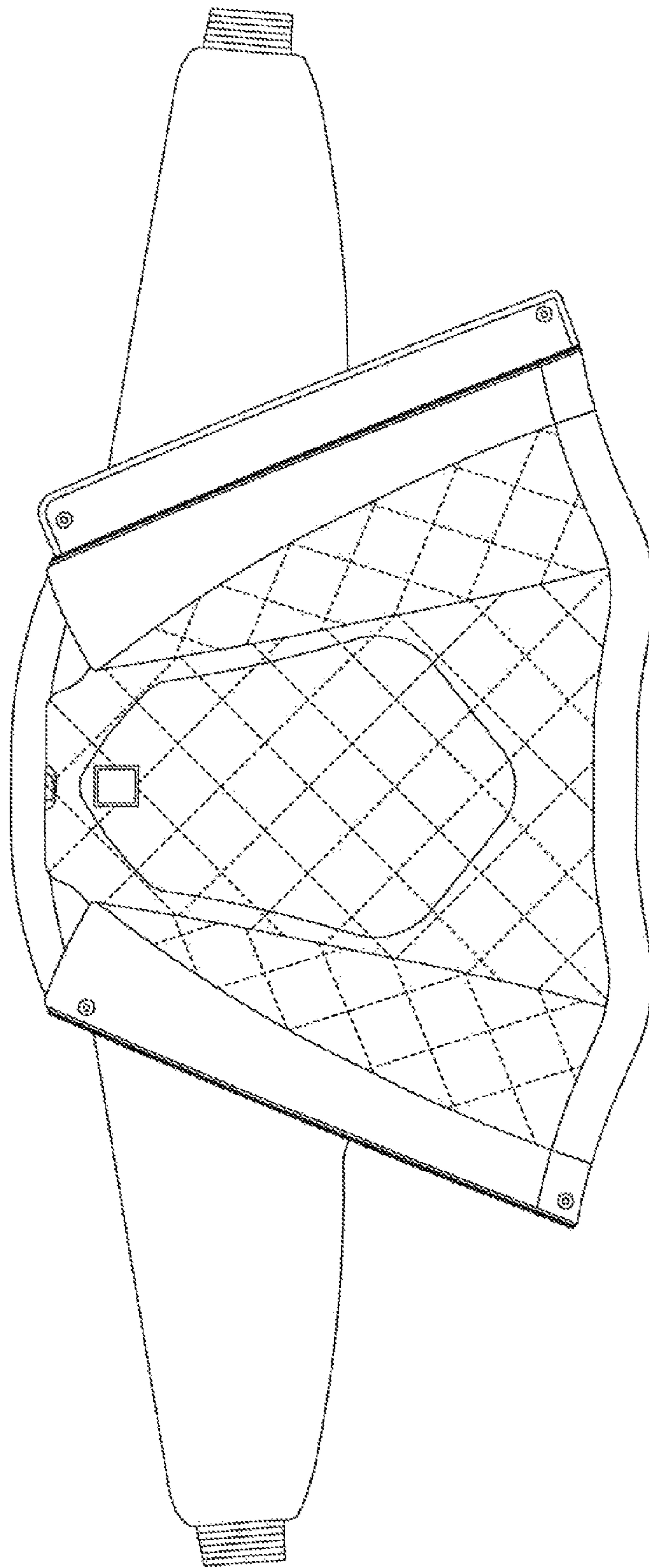


FIG. 3

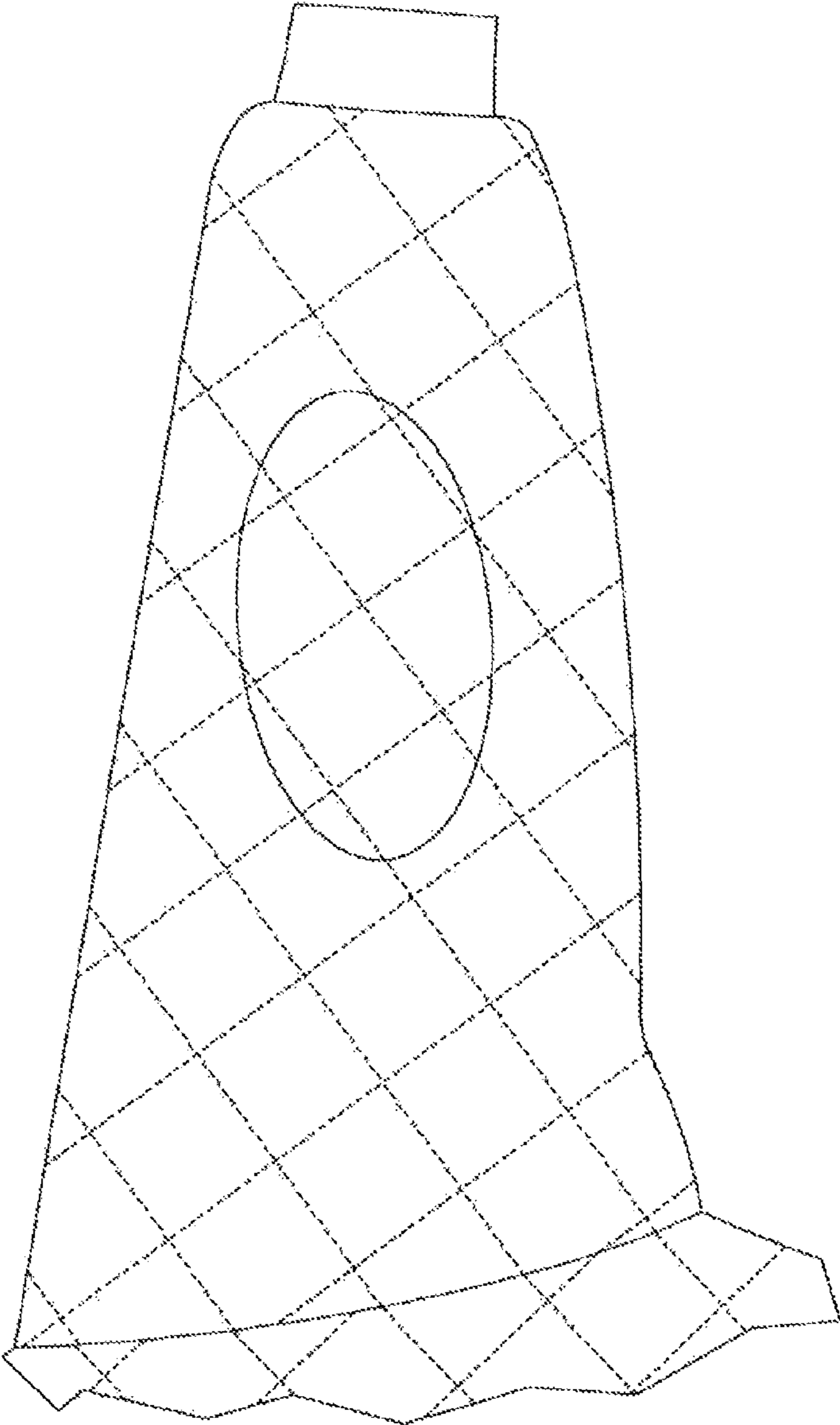


FIG. 4