



US00D696835S

(12) **United States Design Patent**  
**Rogerson**

(10) **Patent No.:** **US D696,835 S**  
(45) **Date of Patent:** **\*\* Dec. 31, 2013**

(54) **BASE FOR POST**

(71) Applicant: **Cameron Rogerson**, Madison, CT (US)

(72) Inventor: **Cameron Rogerson**, Madison, CT (US)

(73) Assignee: **Cameron Rogerson**, Madison, CT (US)

(\*\*) Term: **14 Years**

(21) Appl. No.: **29/451,704**

(22) Filed: **May 2, 2013**

(51) **LOC (9) Cl.** ..... **99-00**

(52) **U.S. Cl.**  
USPC ..... **D99/43**

(58) **Field of Classification Search**  
USPC ..... D99/28, 29, 30, 31, 32, 43, 99;  
D11/130, 130.1; 232/1 R, 1 A, 17, 19,  
232/20, 30, 31, 38, 39  
See application file for complete search history.

(56) **References Cited**

**U.S. PATENT DOCUMENTS**

3,693,310	A	9/1972	Middleton	
4,496,123	A *	1/1985	Laramie	248/121
D287,831	S *	1/1987	Stephan	D11/130.1
D329,208	S *	9/1992	Bowling et al.	D11/130.1
5,362,019	A *	11/1994	Swanson	248/146
D364,831	S *	12/1995	Fillipp	D11/130.1
5,625,988	A	5/1997	Killick	
D451,431	S *	12/2001	Kao	D11/130.1
6,336,620	B1	1/2002	Belli	
6,513,284	B1 *	2/2003	Sandlin	47/66.6
D488,704	S *	4/2004	Mercier	D8/354

D497,832	S *	11/2004	Glover	D11/130.1
6,857,808	B1 *	2/2005	Sugimoto et al.	403/41
7,044,427	B2 *	5/2006	Eckenswiler	248/523
7,610,728	B1 *	11/2009	Manocchia	52/299
7,694,487	B1	4/2010	Ryan	
7,779,589	B2 *	8/2010	Salman	52/298
7,827,747	B2 *	11/2010	George et al.	52/292
8,082,934	B1 *	12/2011	Kucinski	135/16

**OTHER PUBLICATIONS**

Cameron Rogerson, "Statement of Cameron Rogerson", Sep. 10, 2013, 2 pages.

\* cited by examiner

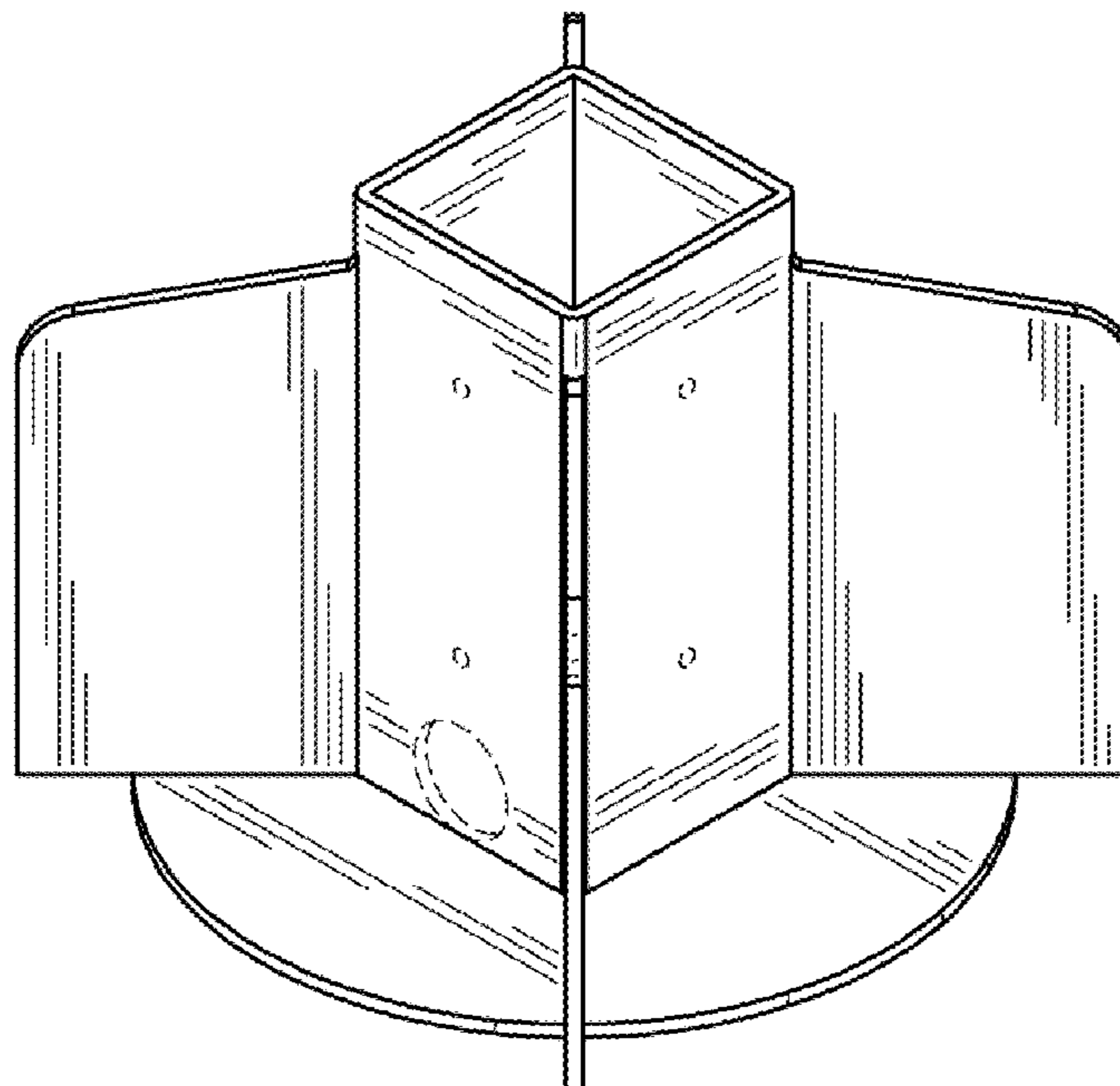
*Primary Examiner* — Elizabeth J Oswecki  
(74) *Attorney, Agent, or Firm* — C. Nessler

(57) **CLAIM**  
I claim the ornamental design for a base for a post, as shown and described.

**DESCRIPTION**

FIG. 1 is a perspective view of a base for a post showing my new design.  
FIG. 2 is a front elevation view thereof.  
FIG. 3 is a rear elevation view thereof.  
FIG. 4 is bottom plan view thereof; and,  
FIG. 5 is a top plan view thereof.  
The broken lines shown in the drawings represent portions of the base for a post that form no part of the claimed design.  
All surfaces not shown form no part of the claimed design.

**1 Claim, 1 Drawing Sheet**



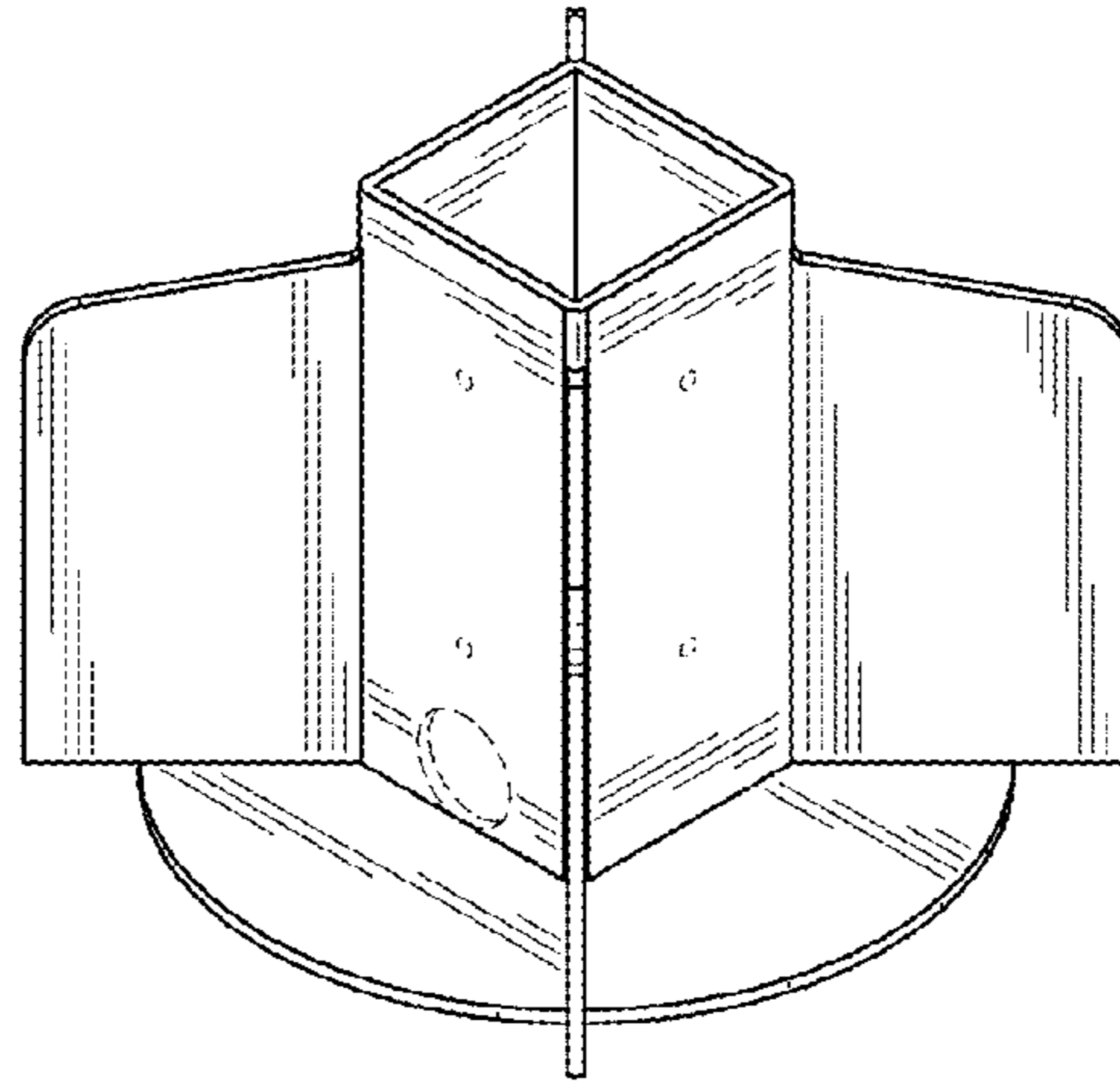


FIG. 1

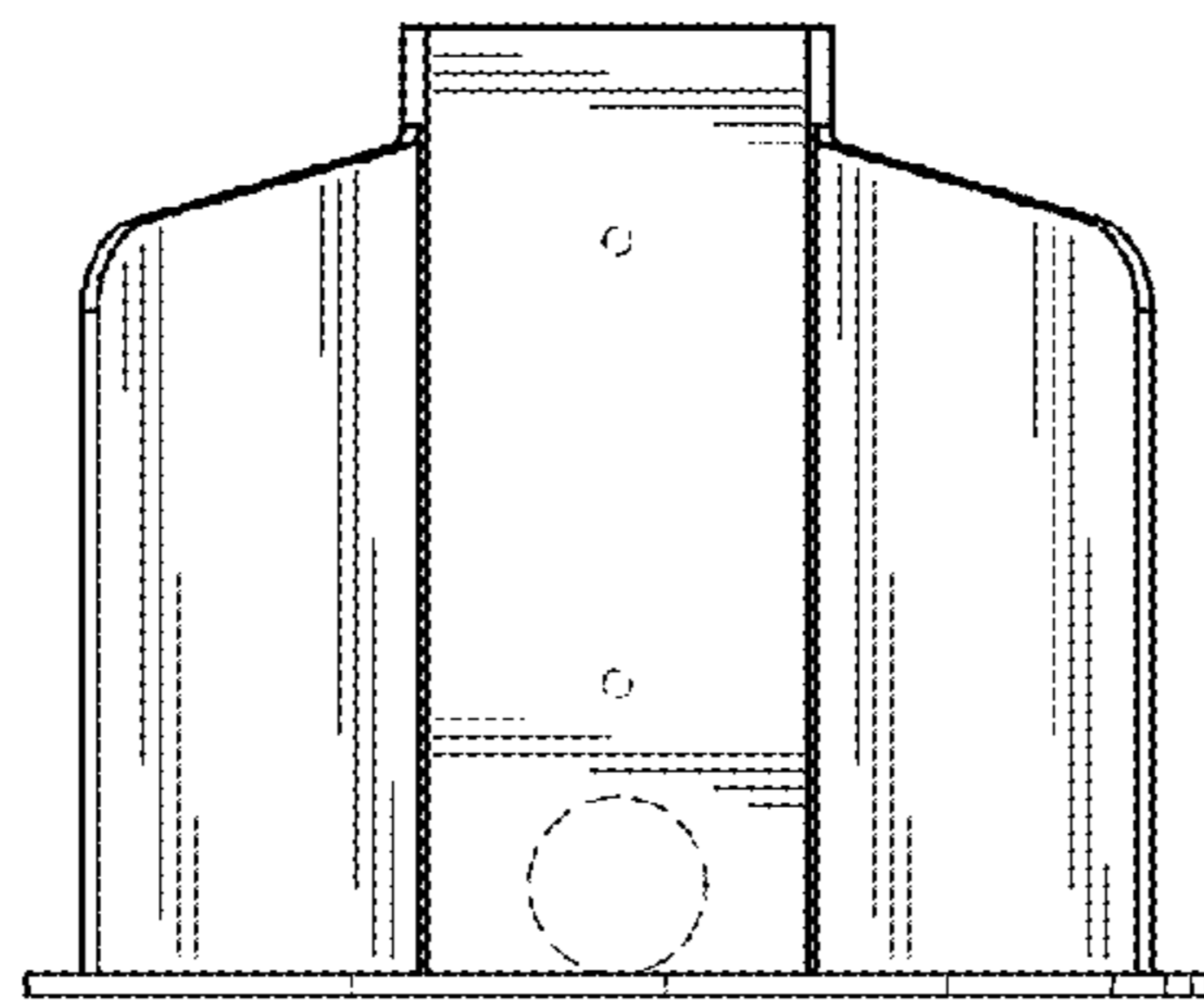


FIG. 2

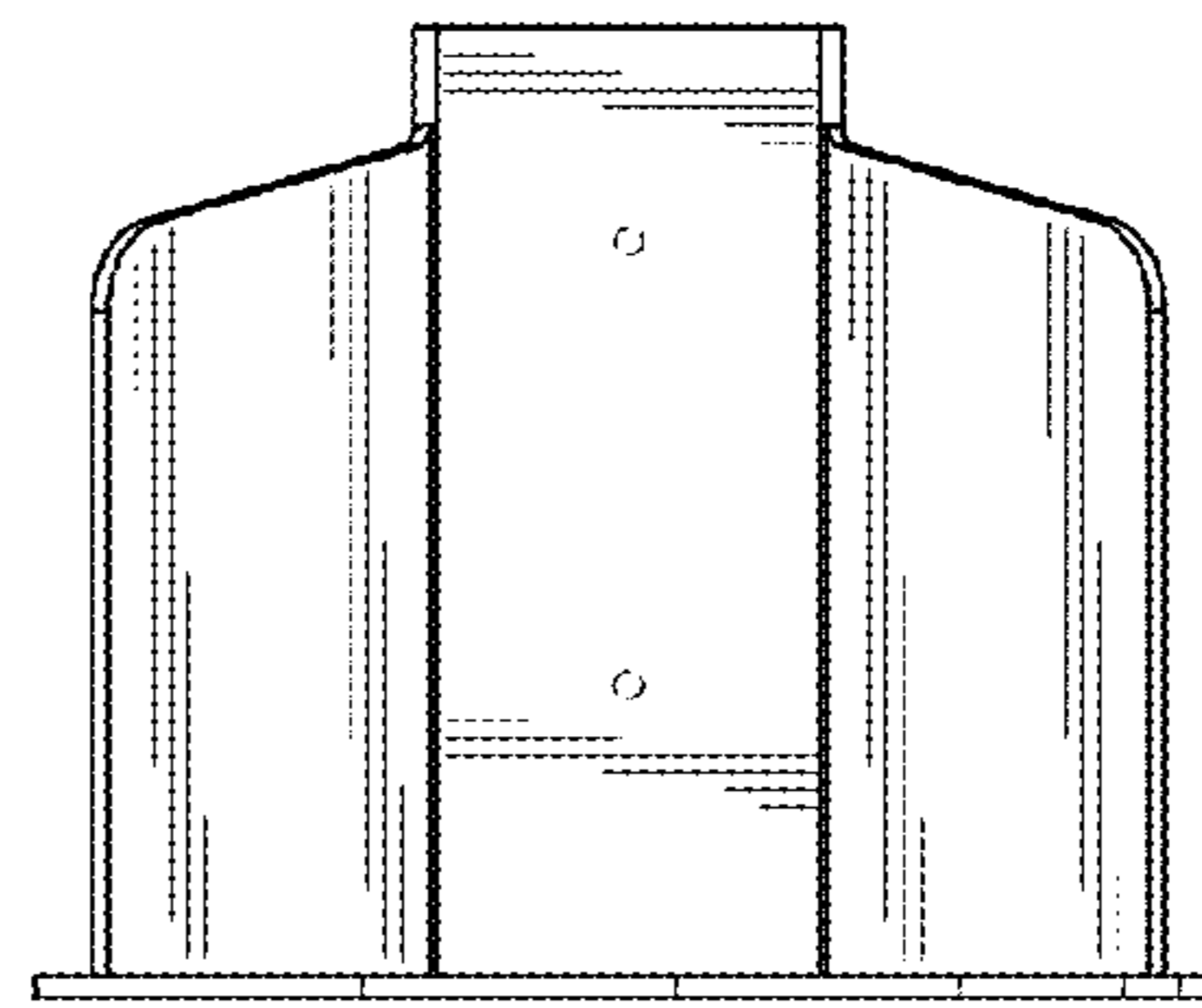


FIG. 3

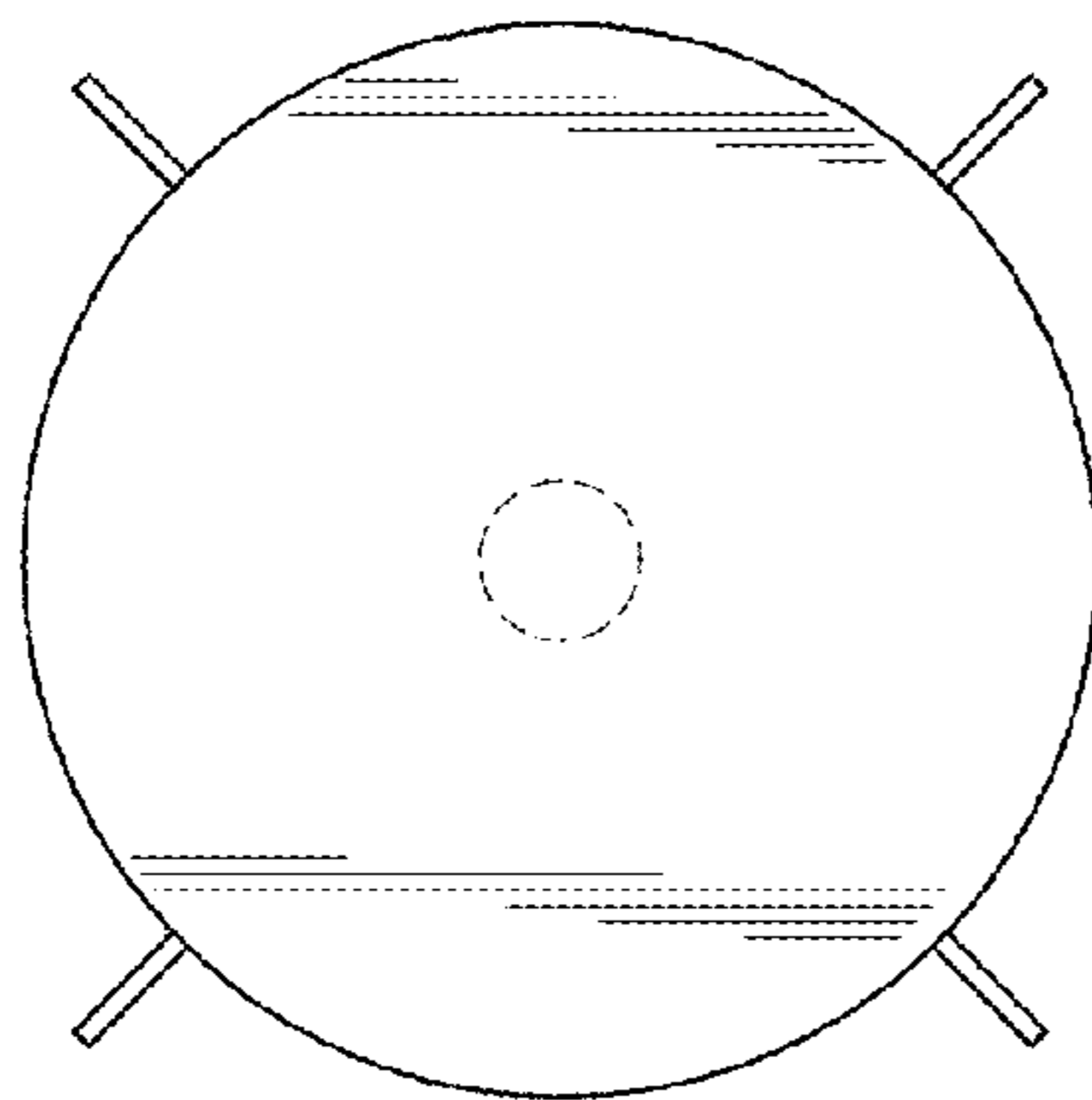


FIG. 4

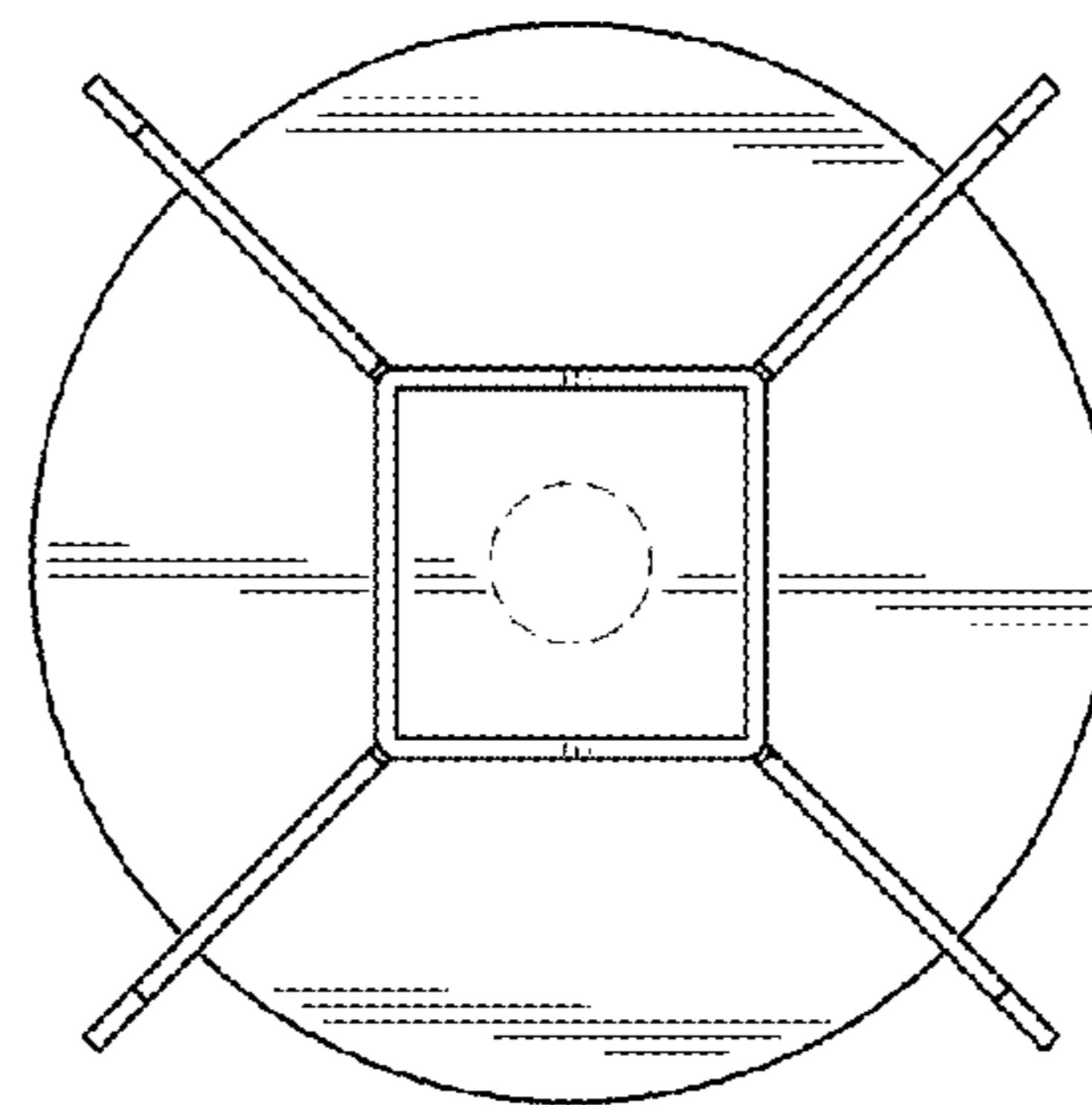


FIG. 5